



US00D632829S

(12) **United States Design Patent**
Sabernig

(10) **Patent No.:** **US D632,829 S**

(45) **Date of Patent:** **** Feb. 15, 2011**

(54) **LIGHT FIXTURE**

(75) Inventor: **Robert Sabernig**, Munster (AT)

(73) Assignee: **EGLO Leuchten GmbH**, Innsbruck (AT)

(**) Term: **14 Years**

(21) Appl. No.: **29/354,928**

(22) Filed: **Jan. 29, 2010**

(51) **LOC (9) Cl.** **26-03**

(52) **U.S. Cl.** **D26/93**

(58) **Field of Classification Search** D26/1,
D26/24, 67-6, 93-94, 101, 104-110, 113;
362/3, 153, 186, 217, 255, 257, 277, 317,
362/351, 353, 362, 363, 382, 431, 433, 458,
362/806

See application file for complete search history.

(56) **References Cited**

U.S. PATENT DOCUMENTS

D223,282 S *	4/1972	Andre	D26/63
D283,255 S *	4/1986	Ikeda	D26/93
D440,673 S *	4/2001	Handsaker	D26/24
D483,145 S *	12/2003	Cohon	D26/93
D525,739 S *	7/2006	Wu	D26/93
D535,761 S *	1/2007	Li et al.	D26/24
D589,203 S *	3/2009	Sabernig	D26/104

D595,007 S * 6/2009 Sabernig D26/85

* cited by examiner

Primary Examiner—Brian N Vinson

(74) *Attorney, Agent, or Firm*—Baker & McKenzie LLP

(57) **CLAIM**

The ornamental design for a light fixture, as shown and described.

DESCRIPTION

FIG. 1 is a perspective view of a light fixture in accordance with my design;

FIG. 2 is bottom plan view of the light fixture in accordance with my design;

FIG. 3 is a top plan view of the light fixture in accordance with my design;

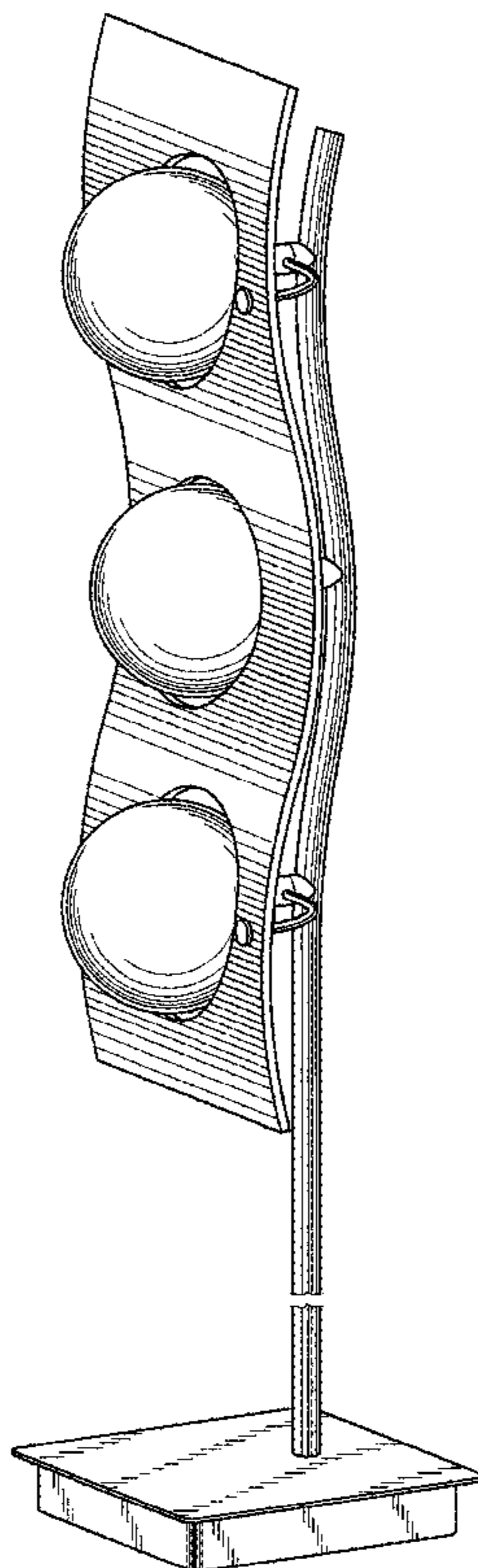
FIG. 4 is a front plan view of the light fixture in accordance with my design;

FIG. 5 is a side elevation view of the light fixture in accordance with my design, the opposite view being a mirror image of that shown; and,

FIG. 6 is a back plan view of the light fixture in accordance with my design.

The support pole shown broken away in FIGS. 1, 4, 5, and 6 is understood to represent unclaimed length.

1 Claim, 2 Drawing Sheets



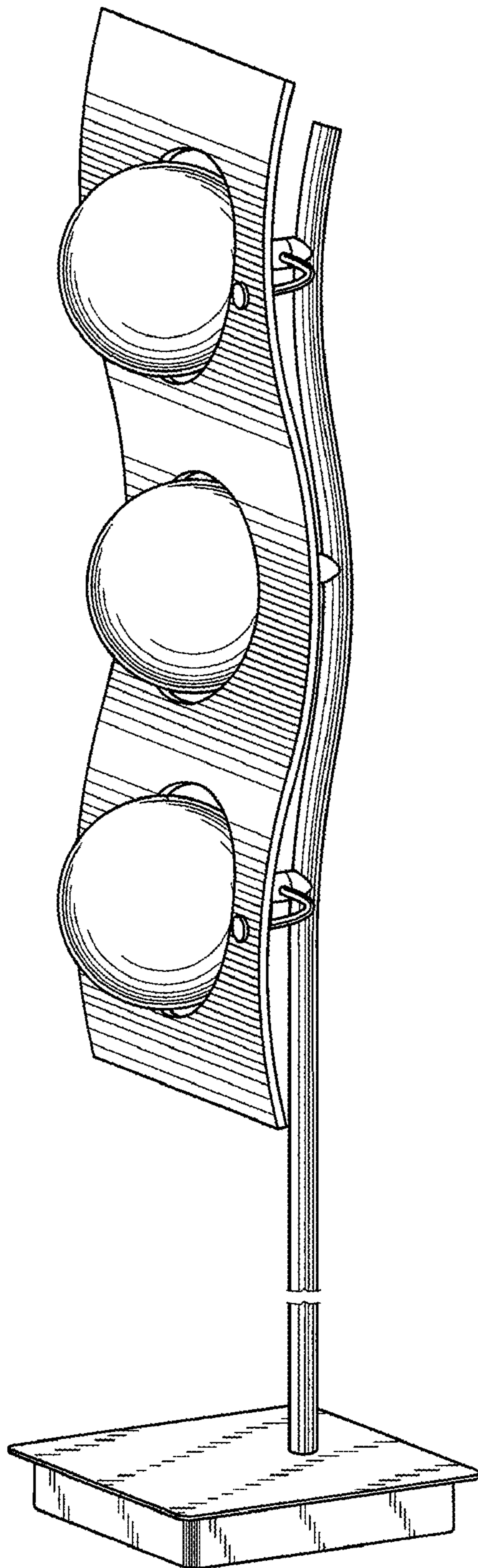


Fig.1

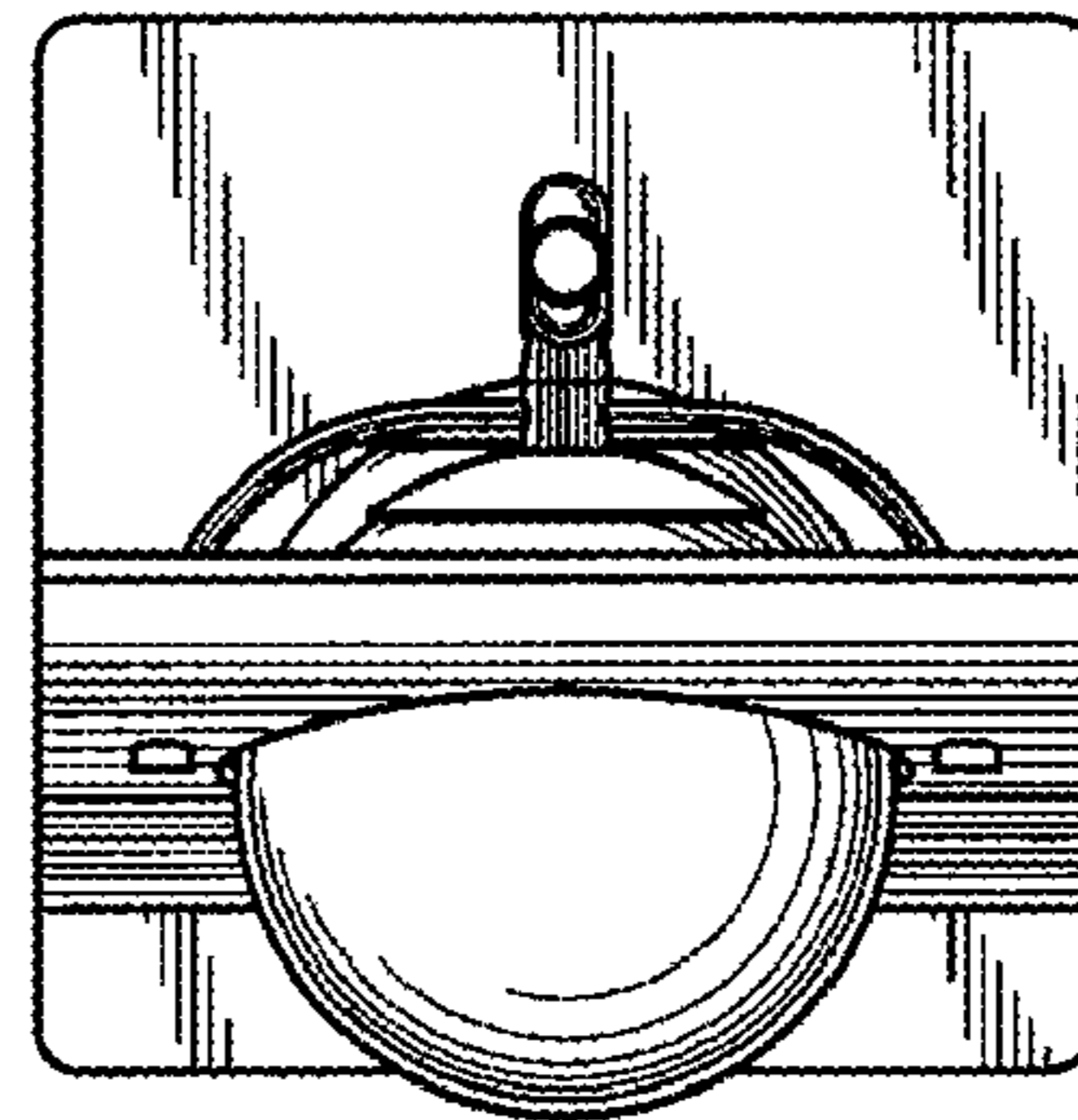


Fig.3

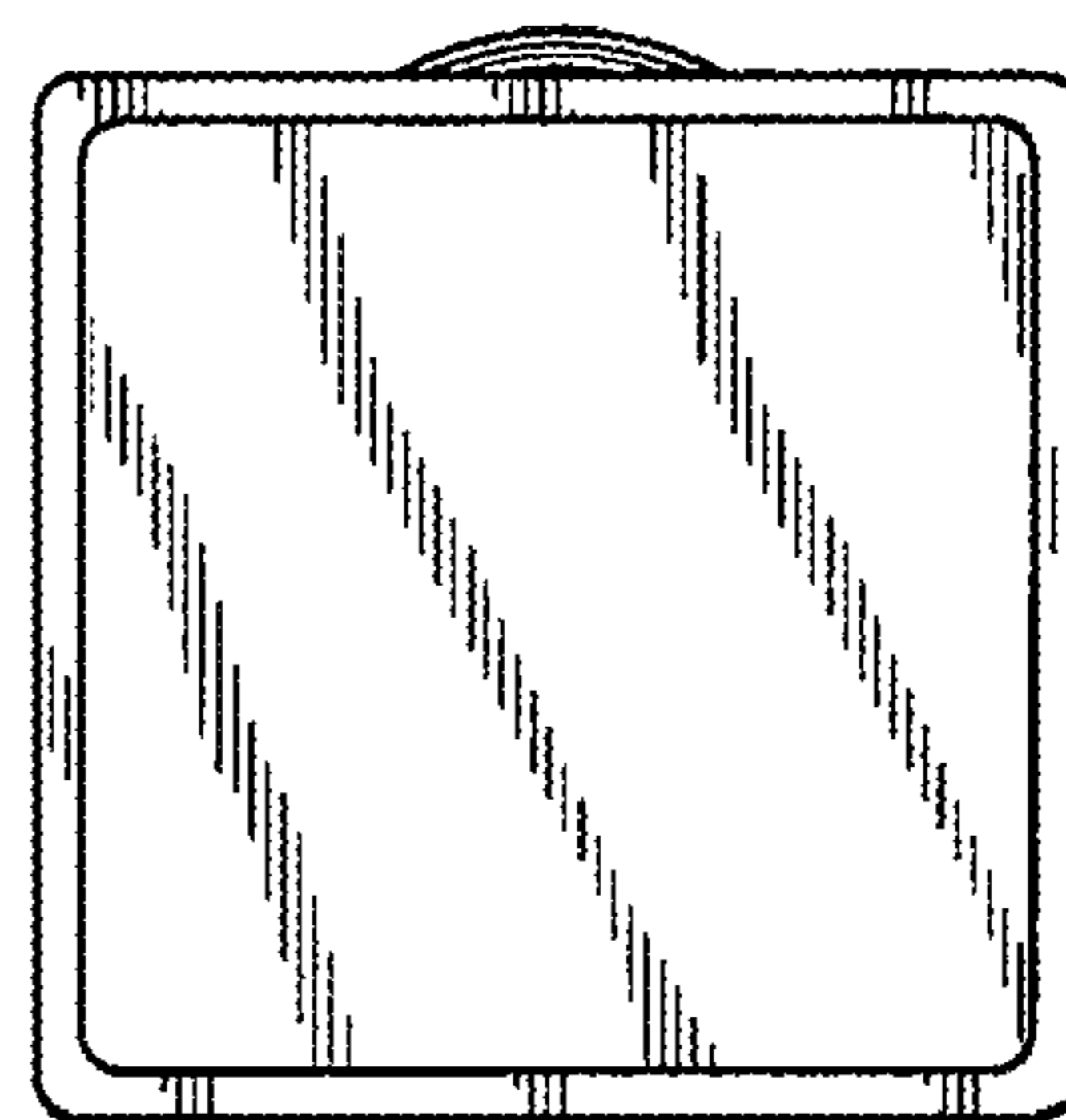


Fig.2

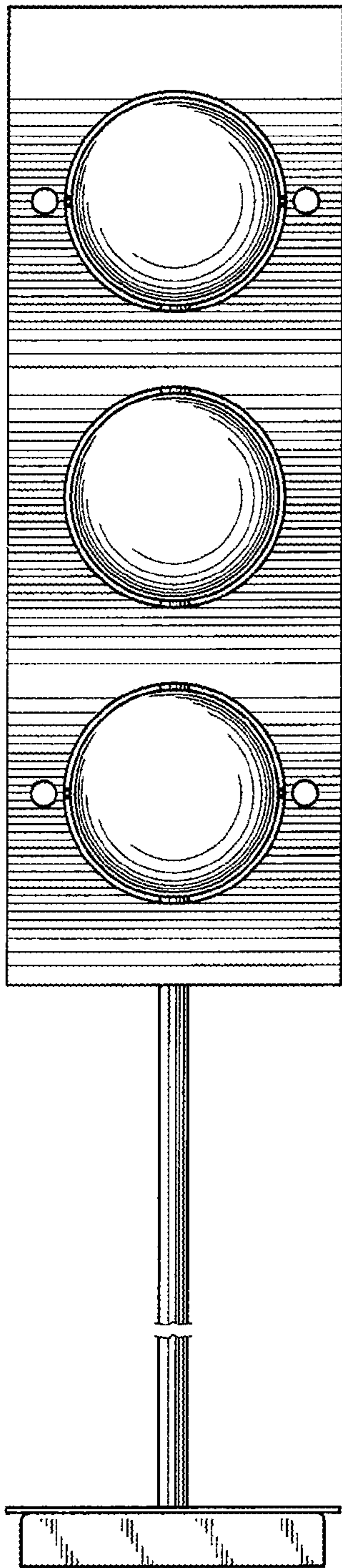


Fig.4

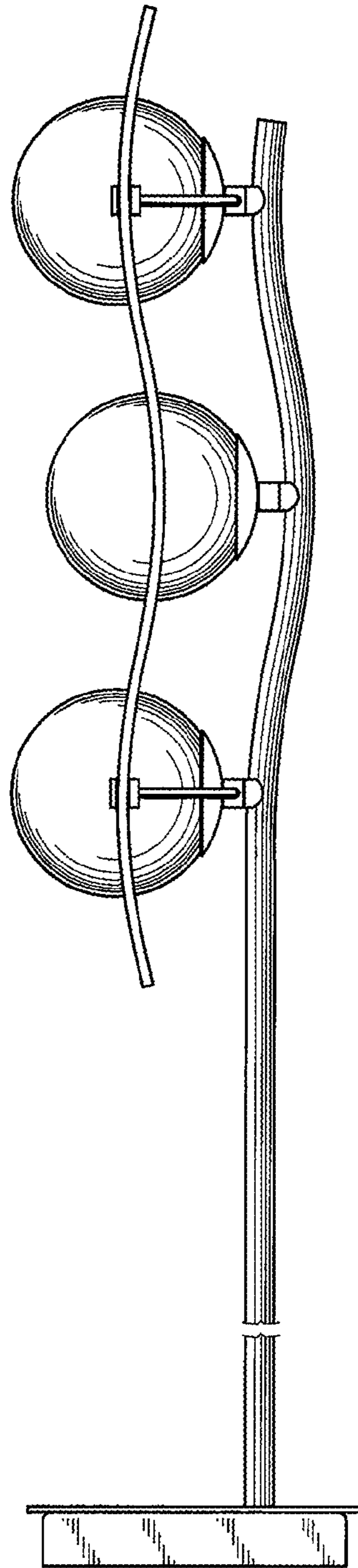


Fig.5

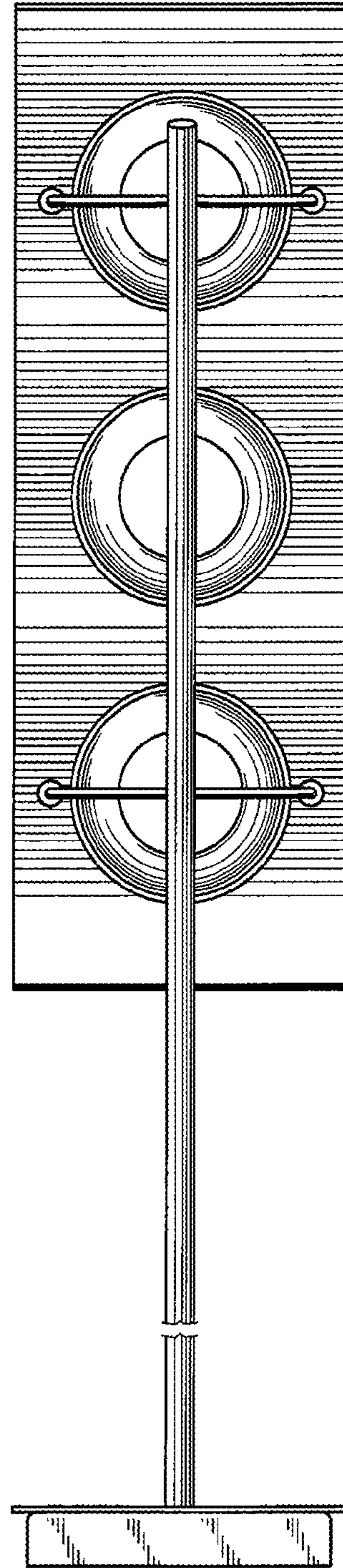


Fig.6