



US00D632825S

(12) **United States Design Patent**
Sabernig

(10) **Patent No.:** **US D632,825 S**

(45) **Date of Patent:** **** Feb. 15, 2011**

(54) **LIGHT FIXTURE**

D611,185 S * 3/2010 Jourdan D26/93
D614,797 S * 4/2010 Sabernig D26/93

(75) Inventor: **Robert Sabernig**, Munster (AT)

* cited by examiner

(73) Assignee: **EGLO Leuchten GmbH**, Innsbruck (AT)

Primary Examiner—Brian N Vinson

(74) *Attorney, Agent, or Firm*—Baker & McKenzie LLP

(**) Term: **14 Years**

(57) **CLAIM**

(21) Appl. No.: **29/354,669**

The ornamental design for a light fixture, as shown and described.

(22) Filed: **Jan. 27, 2010**

(51) **LOC (9) Cl.** **26-03**

(52) **U.S. Cl.** **D26/93**

(58) **Field of Classification Search** D26/1,
D26/24, 67-6, 93-94, 101, 104-110, 113,
D26/118; 362/3, 153, 186, 217, 255, 257,
362/277, 317, 351, 353, 362, 363, 382, 431,
362/433, 458, 806

See application file for complete search history.

DESCRIPTION

FIG. 1 is a perspective view of a light fixture in accordance with my design;

FIG. 2 is a horizontal cross-sectional view thereof, taken in the direction of line 2—2 of FIG. 4;

FIG. 3 is a top plan view of the light fixture in accordance with my design;

FIG. 4 is a front elevation view of the light fixture in accordance with my design, the opposite view being a mirror image of that shown; and,

FIG. 5 is a side elevation view of the light fixture in accordance with my design, the opposite view being a mirror image of that shown.

The broken-line disclosure of elements is understood to represent portions of the article in which the design is embodied, but which form no part of the claimed design.

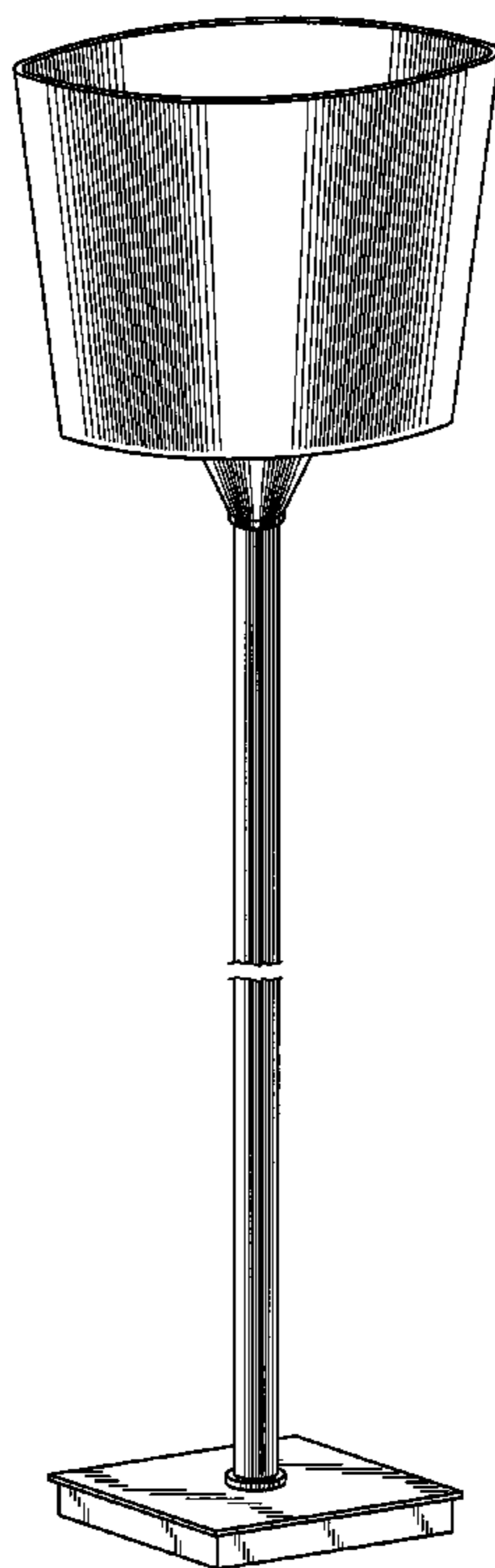
The support pole shown broken away in FIGS. 1, 4, and 5 is understood to represent unclaimed length.

(56) **References Cited**

U.S. PATENT DOCUMENTS

- D299,071 S * 12/1988 Scarpa D26/93
- D368,548 S * 4/1996 Lee D26/93
- D385,647 S * 10/1997 Swanson D26/110
- D431,315 S * 9/2000 Sekine et al. D26/93
- D444,899 S * 7/2001 Bossy D26/93
- 6,883,942 B2 * 4/2005 Denningham 362/433
- D589,205 S * 3/2009 Sabernig D26/93
- D604,888 S * 11/2009 Swanson D26/93
- D606,236 S * 12/2009 Sabernig D26/93
- D608,045 S * 1/2010 Chandler D26/93

1 Claim, 2 Drawing Sheets



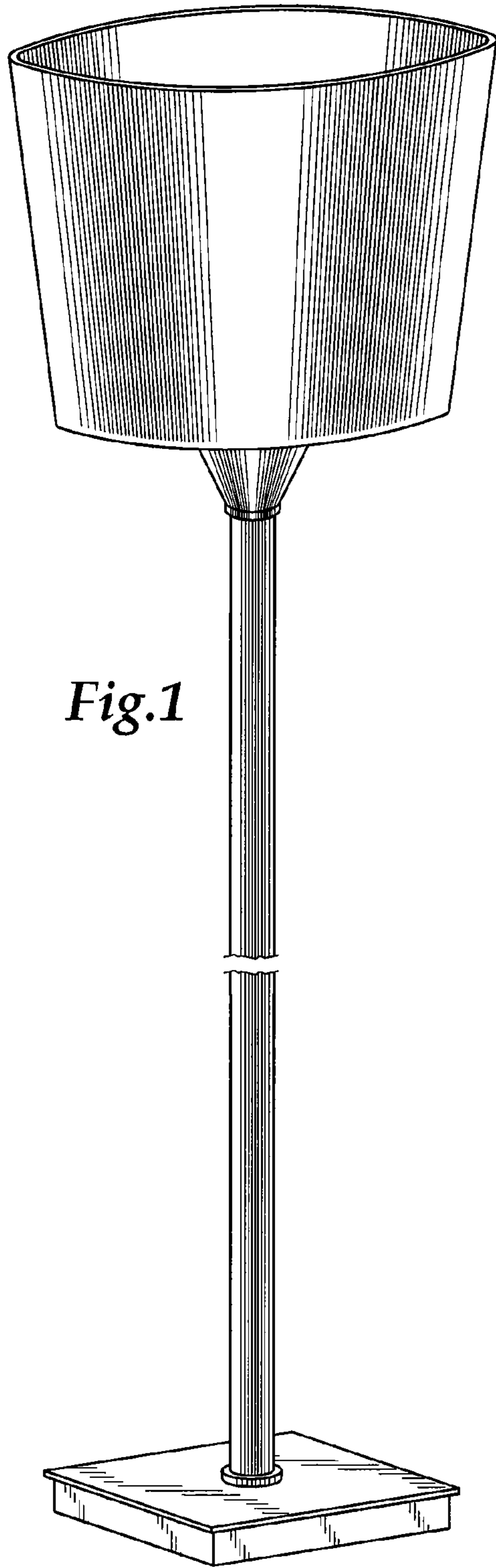


Fig.1

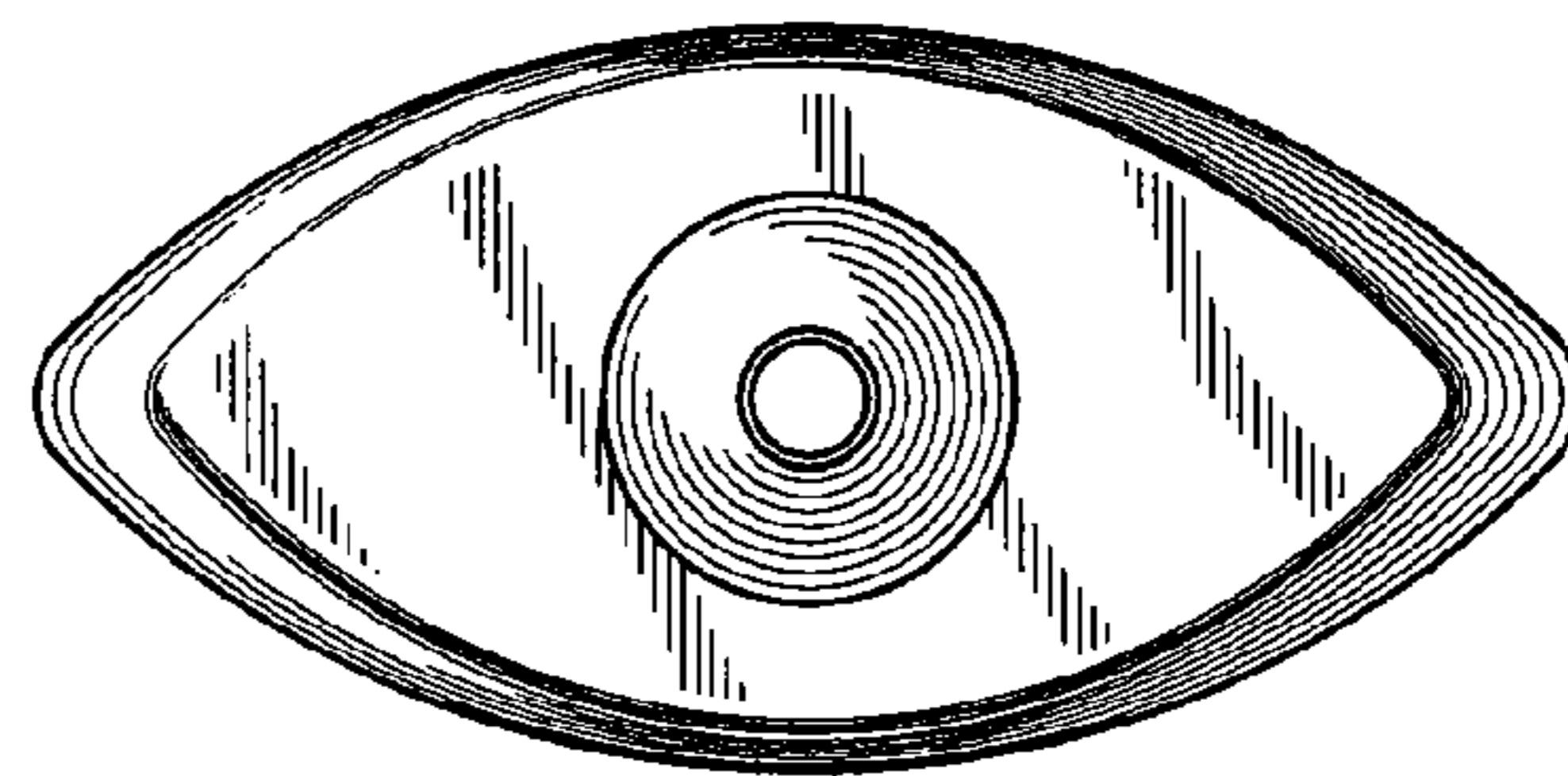


Fig.2

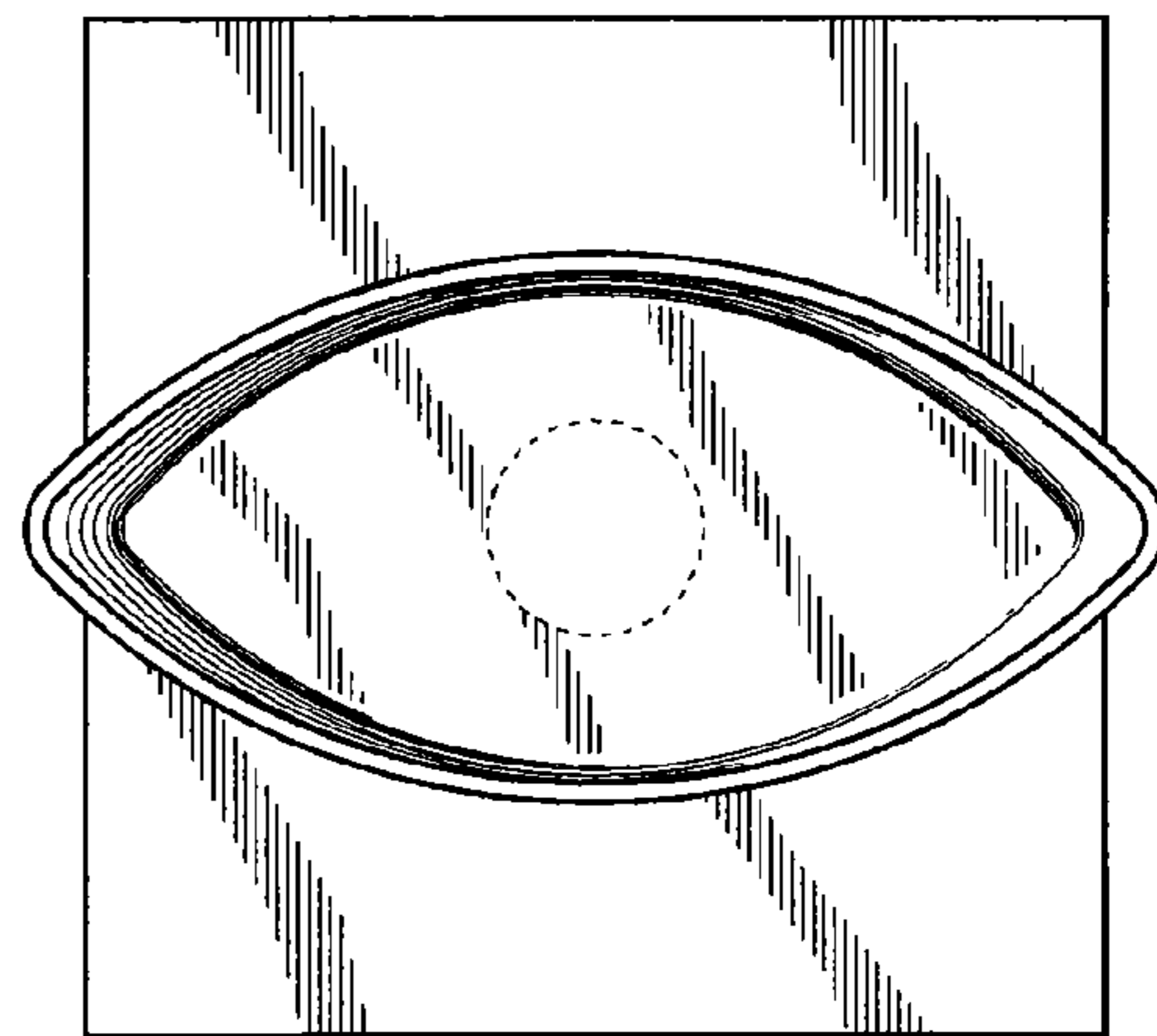


Fig.3

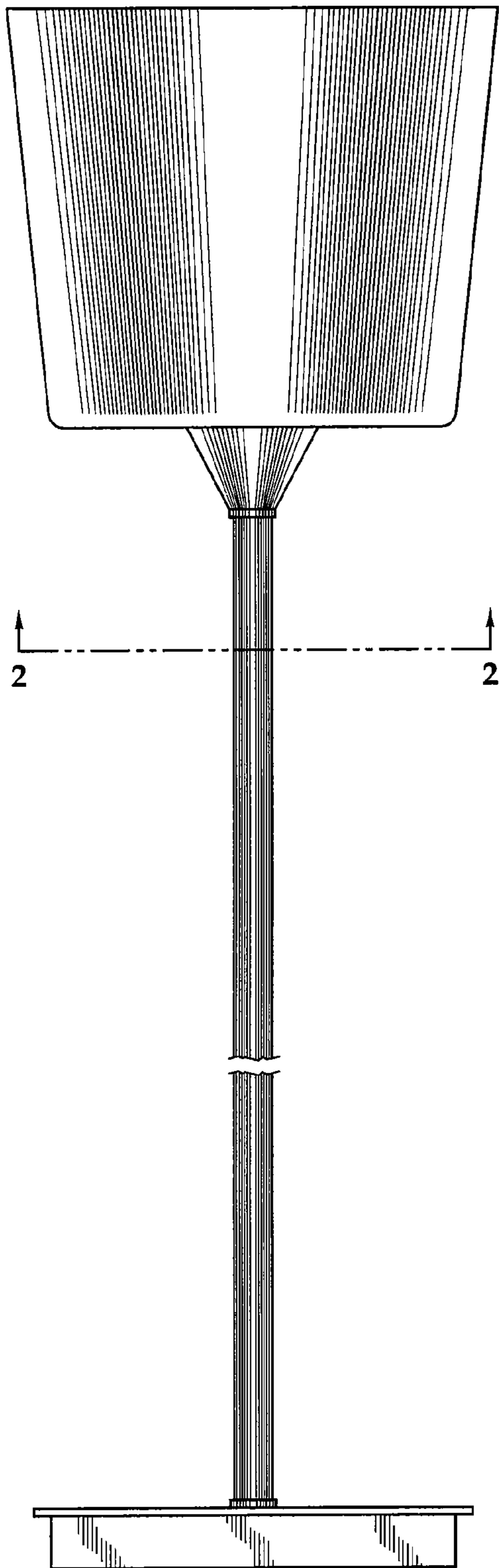


Fig. 4

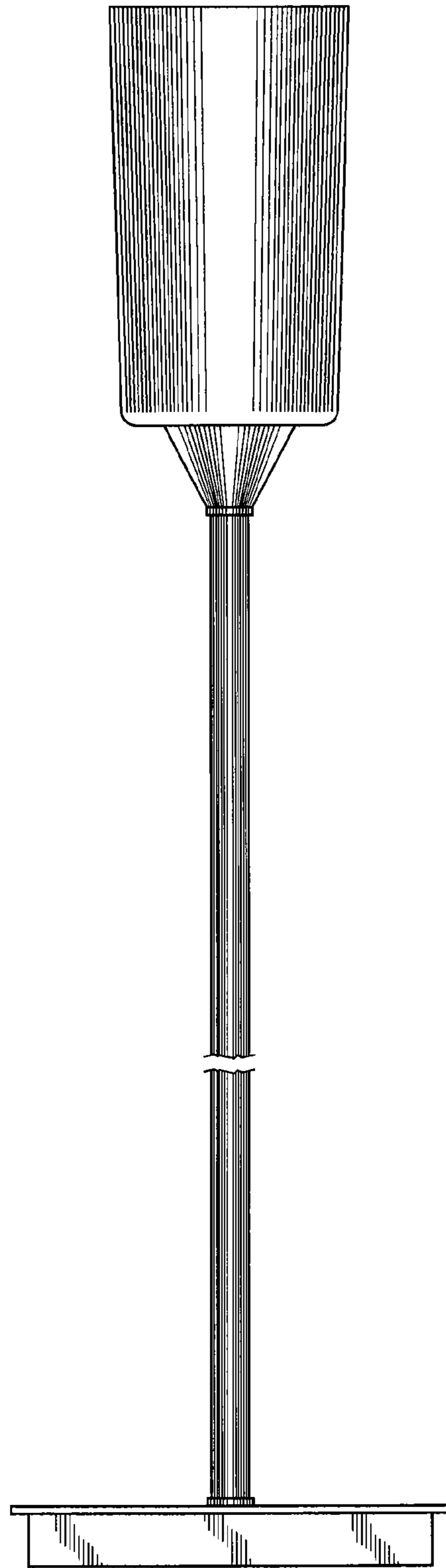


Fig. 5