



US00D632821S

(12) **United States Design Patent**
Culbert

(10) **Patent No.:** **US D632,821 S**

(45) **Date of Patent:** **** Feb. 15, 2011**

(54) **LED LIGHT FIXTURE**

(75) Inventor: **J. Scott Culbert**, Birmingham, AL (US)

(73) Assignee: **Glowble SSL, Inc.**, Birmingham, AL (US)

(**) Term: **14 Years**

(21) Appl. No.: **29/343,896**

(22) Filed: **Sep. 21, 2009**

(51) **LOC (9) Cl.** **26-05**

(52) **U.S. Cl.** **D26/74**

(58) **Field of Classification Search** D26/72,
D26/74, 75, 76, 77, 78, 79, 80, 81, 82, 83,
D26/84, 85, 86, 88, 89, 90, 91, 1, 2, 3, 24,
D26/56; D13/180, 182; 362/555, 576, 147,
362/150, 217.01, 219, 217.02, 217.03, 217.04,
362/217.05, 217.08, 217.09, 260, 364, 365,
362/366, 404, 800

See application file for complete search history.

(56) **References Cited**

U.S. PATENT DOCUMENTS

D204,797 S *	5/1966	McCormack	D26/77
D317,300 S *	6/1991	Hasegawa et al.	D13/182
6,568,833 B2	5/2003	Worgan et al.		
6,777,891 B2	8/2004	Lys et al.		
7,163,324 B2	1/2007	Pederson		
7,172,897 B2	2/2007	Blackburn et al.		
7,178,941 B2	2/2007	Roberge et al.		
D539,943 S *	4/2007	Egawa et al.	D26/24
D551,379 S *	9/2007	Maxik	D26/74
7,344,279 B2	3/2008	Mueller et al.		
7,400,439 B2	7/2008	Holman		
D574,994 S *	8/2008	Boyer	D26/120
7,410,268 B2	8/2008	Koren et al.		
7,518,862 B1	4/2009	Macika et al.		
D593,697 S *	6/2009	Liu et al.	D26/74
D599,944 S *	9/2009	Sabernig	D26/74

D600,392 S *	9/2009	Ling et al.	D26/74
D602,449 S *	10/2009	Kim et al.	D13/180
D603,081 S *	10/2009	Boyer et al.	D26/88
D609,200 S *	2/2010	Kim	D13/180

(Continued)

FOREIGN PATENT DOCUMENTS

WO 2009/089529 7/2009

OTHER PUBLICATIONS

Aluminum Heat Sink, found at <http://www.asia.ru/ProductInfo/1070046.html>, printed on Aug. 4, 2009, 1 page.

Primary Examiner—Angela J Lee

(74) *Attorney, Agent, or Firm*—Angela Holt; Lanier Ford Shaver & Payne P.C.

(57) **CLAIM**

The ornamental design for an LED light fixture, as shown and described.

DESCRIPTION

FIG. 1 is a top perspective view of the LED light fixture.

FIG. 2 is a top view of the LED light fixture of FIG. 1.

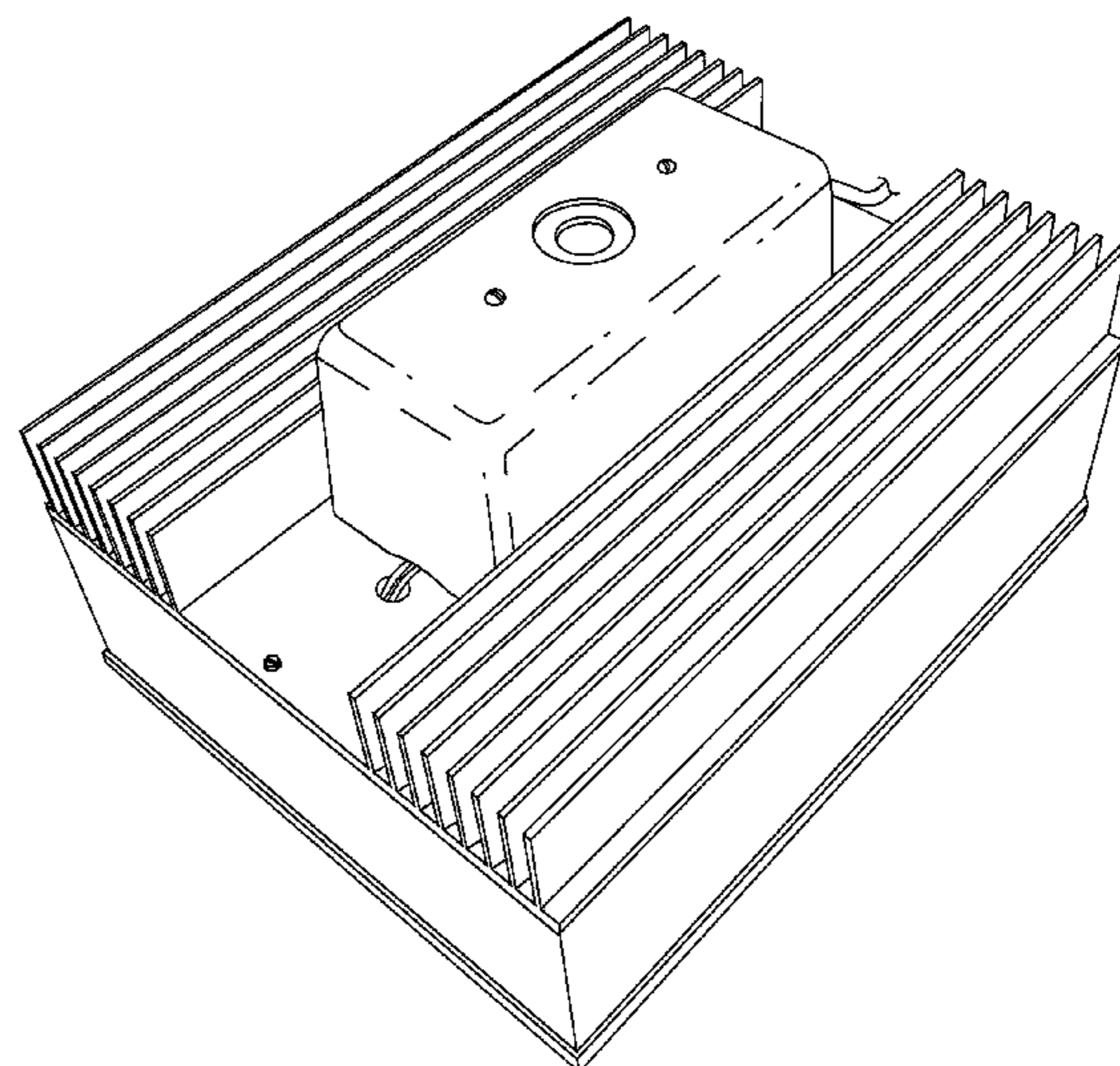
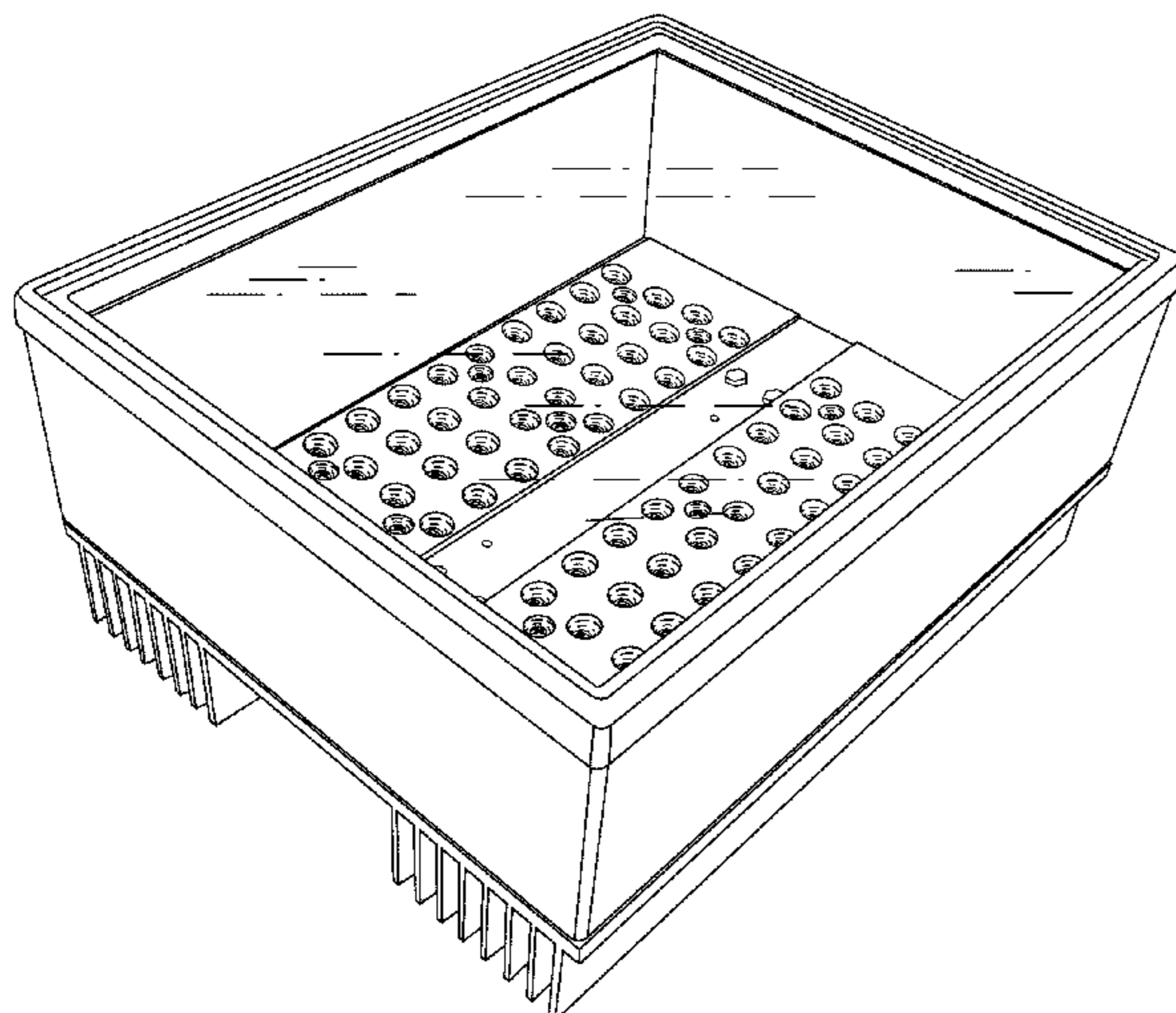
FIG. 3 is an end view of the LED light fixture of FIG. 1.

FIG. 4 is a side view of the LED light fixture of FIG. 1.

FIG. 5 is a bottom view of the LED light fixture of FIG. 1; and,

FIG. 6 is a bottom perspective view of the LED light fixture of FIG. 1.

1 Claim, 5 Drawing Sheets



US D632,821 S

Page 2

U.S. PATENT DOCUMENTS

D613,445 S *	4/2010	Beghelli	D26/74	2008/0136661 A1	6/2008	Pederson et al.
2005/0152146 A1	7/2005	Owen et al.		2008/0143259 A1	6/2008	Sibout
2007/0115686 A1	5/2007	Tyberghien		2008/0290814 A1	11/2008	Leong et al.
2007/0211458 A1	9/2007	Bertram et al.		2009/0154168 A1	6/2009	Zhang et al.
2007/0227699 A1	10/2007	Nishi		2009/0166653 A1	7/2009	Weaver, Jr. et al.
2008/0089060 A1	4/2008	Kondo et al.		2009/0167203 A1	7/2009	Dahlman et al.
2008/0129206 A1	6/2008	Stam et al.		2010/0061114 A1*	3/2010	Melzner 362/555

* cited by examiner

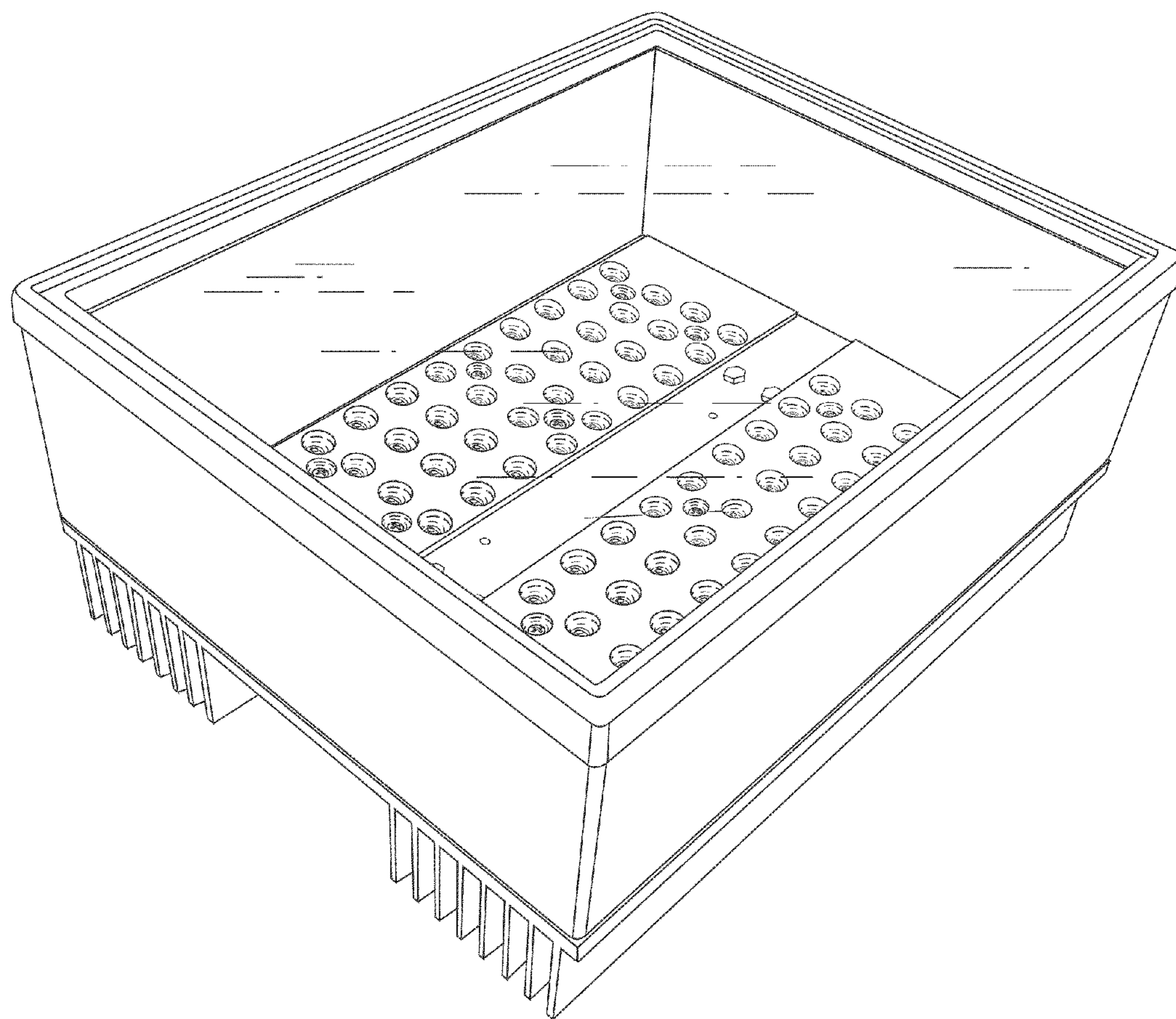


Fig. 1

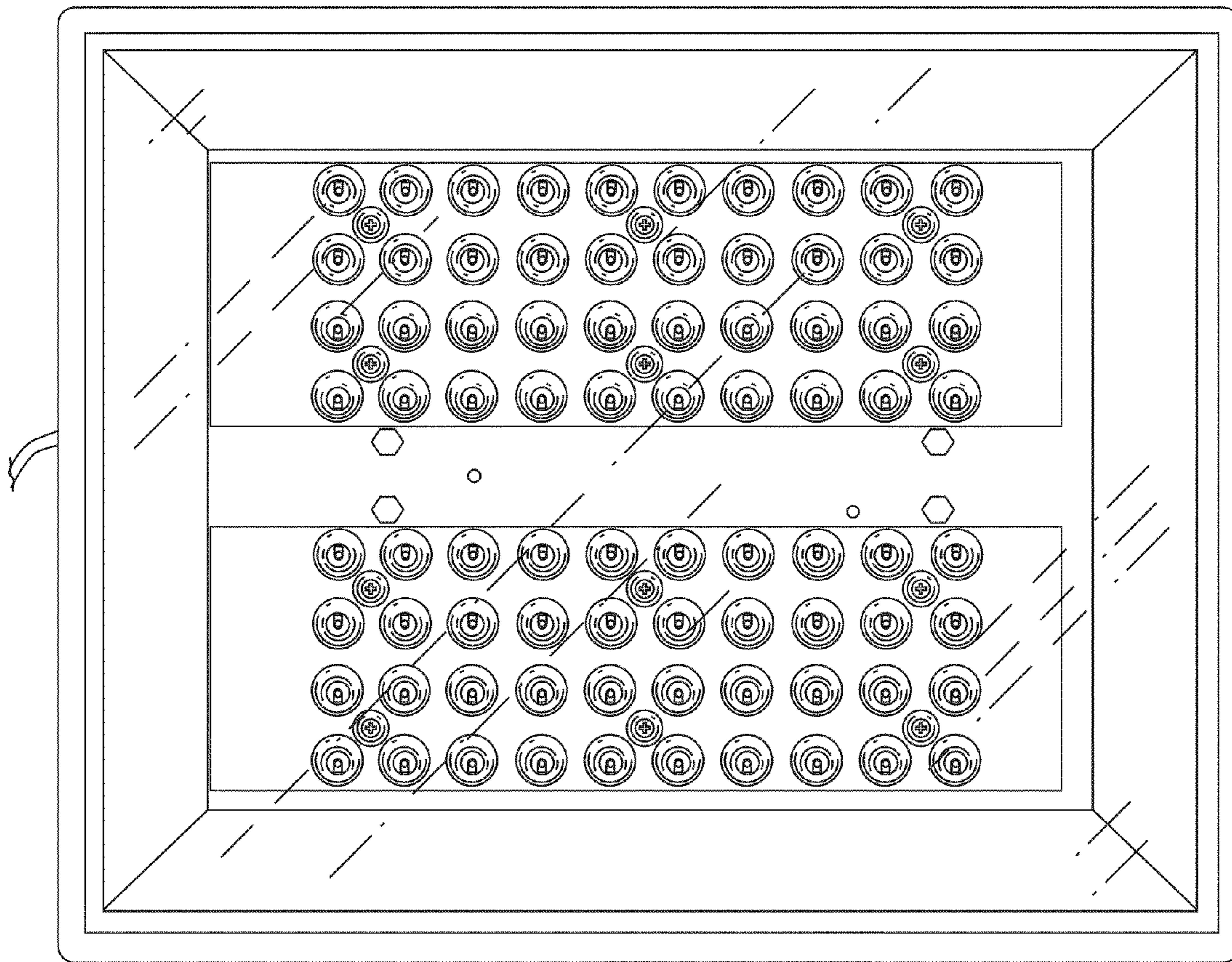


Fig. 2

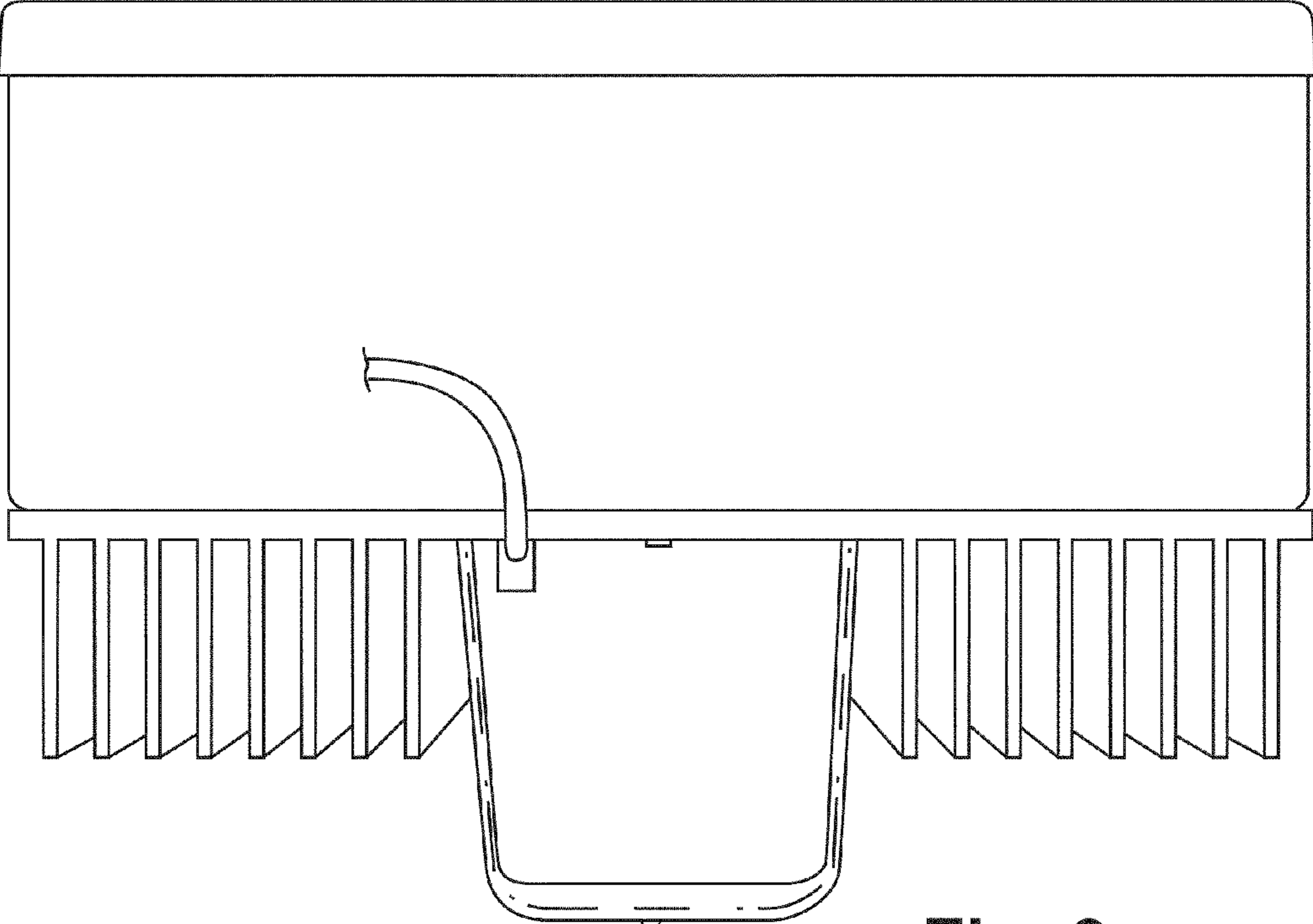


Fig. 3

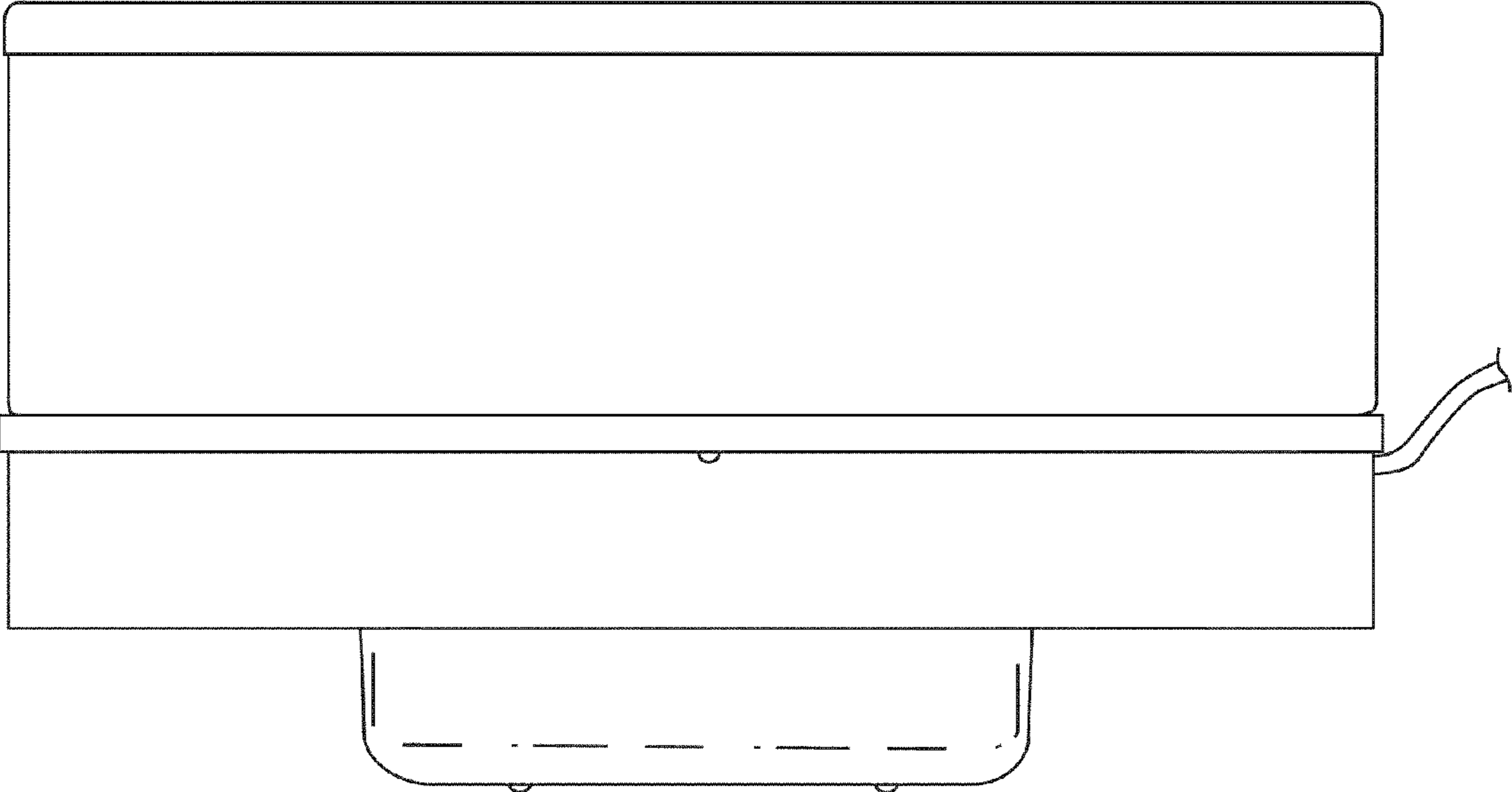


Fig. 4

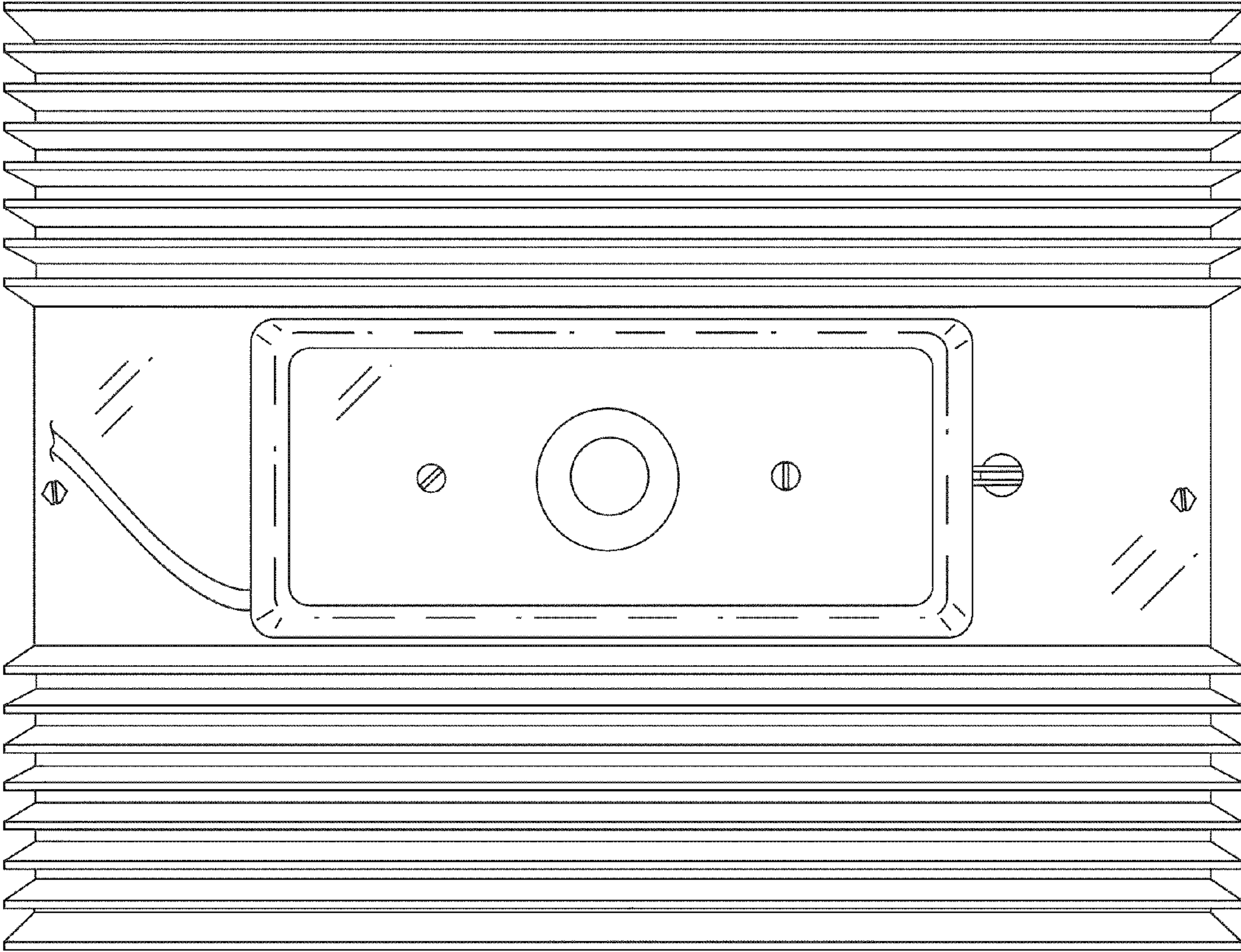


Fig. 5

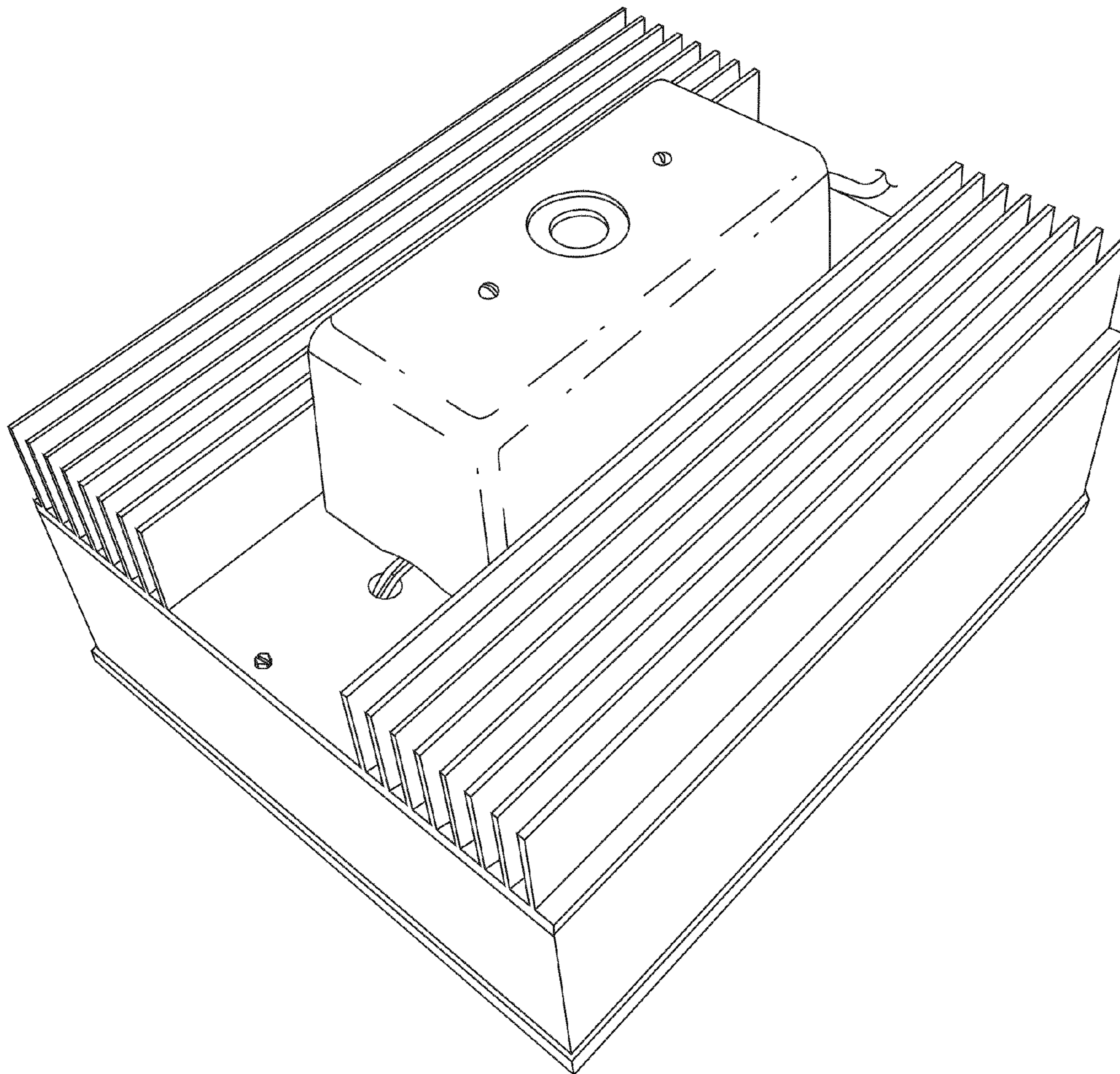


Fig. 6