



US00D632818S

(12) **United States Design Patent**  
**Kong et al.**

(10) **Patent No.:** **US D632,818 S**

(45) **Date of Patent:** **\*\* Feb. 15, 2011**

(54) **LIGHT-EMITTING DIODE (LED) INTERIOR LIGHT FIXTURE**

(75) Inventors: **Kyung Il Kong**, Seoul (KR); **Haw Young Kim**, Yongin-si (KR)

(73) Assignee: **LG Innotek Co., Ltd.**, Seoul (KR)

(\*\*) Term: **14 Years**

(21) Appl. No.: **29/354,547**

(22) Filed: **Jan. 26, 2010**

(30) **Foreign Application Priority Data**

Jul. 27, 2009 (KR) ..... 30-2009-0033392

(51) **LOC (9) Cl.** ..... **26-05**

(52) **U.S. Cl.** ..... **D26/58; D26/76**

(58) **Field of Classification Search** ..... D26/51,  
D26/58, 74, 75-78, 88-91; 362/132, 147,  
362/217.01, 217.04, 217.06, 217.07, 218,  
362/294

See application file for complete search history.

(56) **References Cited**

**U.S. PATENT DOCUMENTS**

1,746,024	A *	2/1930	Brandt, Sr.	.....	313/358
2,487,468	A *	11/1949	Naysmith	.....	362/221
D194,299	S *	12/1962	Brach	.....	D6/509
4,499,529	A *	2/1985	Figueroa	.....	362/283
D294,067	S *	2/1988	Ambasz	.....	D26/76
5,357,413	A *	10/1994	Mandall	.....	362/300
D364,478	S *	11/1995	Pesau	.....	D26/76
D397,819	S *	9/1998	Thorton, Jr.	.....	D26/77
5,845,988	A *	12/1998	Mandall	.....	362/376

D463,058	S *	9/2002	Nourishad	.....	D26/76
D463,601	S *	9/2002	Ludwig	.....	D26/76
D465,049	S *	10/2002	Ludwig	.....	D26/78
D483,510	S *	12/2003	Fritze et al.	.....	D26/75
D505,221	S *	5/2005	Hetfield	.....	D26/76
6,953,261	B1 *	10/2005	Jiao et al.	.....	362/487
D544,628	S *	6/2007	Quintal	.....	D26/76
D547,898	S *	7/2007	Tseng	.....	D26/78
D556,362	S *	11/2007	Pfund et al.	.....	D26/94
D569,026	S *	5/2008	Silver	.....	D26/76
D588,739	S *	3/2009	Janssen	.....	D26/90
D616,138	S *	5/2010	Lasthein et al.	.....	D26/76

\* cited by examiner

*Primary Examiner*—Clare E Heflin

(74) *Attorney, Agent, or Firm*—McKenna Long & Aldridge LLP

(57) **CLAIM**

The ornamental design for a light-emitting diode (LED) interior light fixture, as shown.

**DESCRIPTION**

FIG. 1 is a top front perspective view of a light-emitting diode (LED) interior light fixture showing our new design;

FIG. 2 is a front elevational view thereof;

FIG. 3 is a rear elevational view thereof;

FIG. 4 is a left side elevational view thereof;

FIG. 5 is a right side elevational view thereof;

FIG. 6 is a top plan view thereof;

FIG. 7 is a bottom plan view thereof; and,

FIG. 8 is a bottom front perspective view thereof.

**1 Claim, 7 Drawing Sheets**

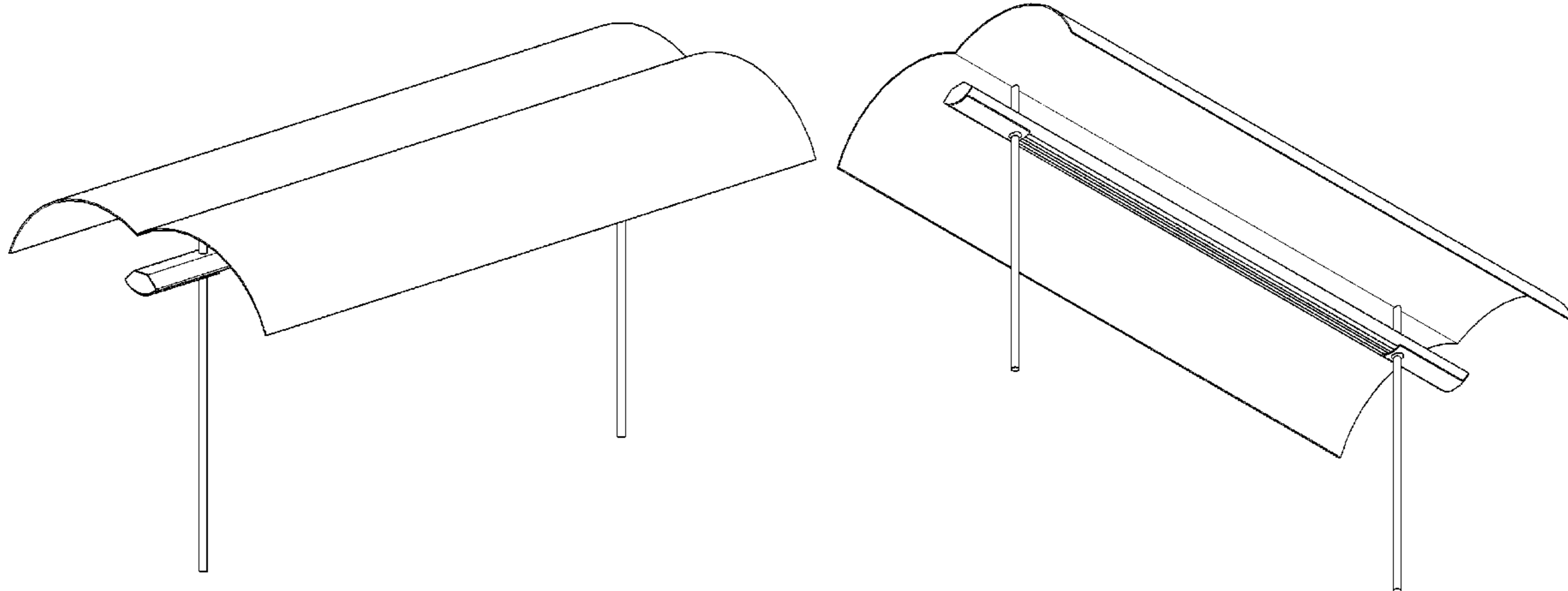


FIG. 1

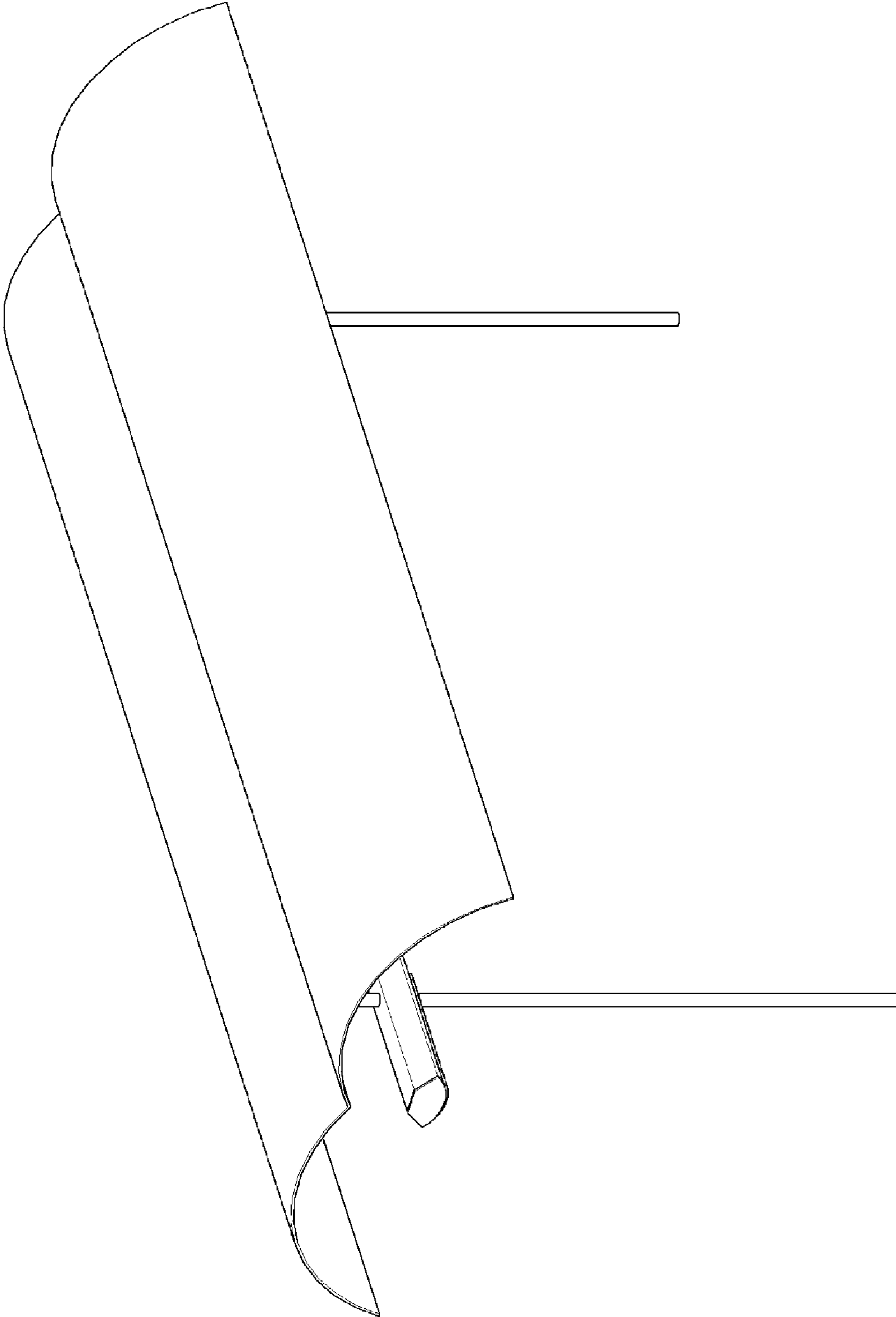


FIG. 2

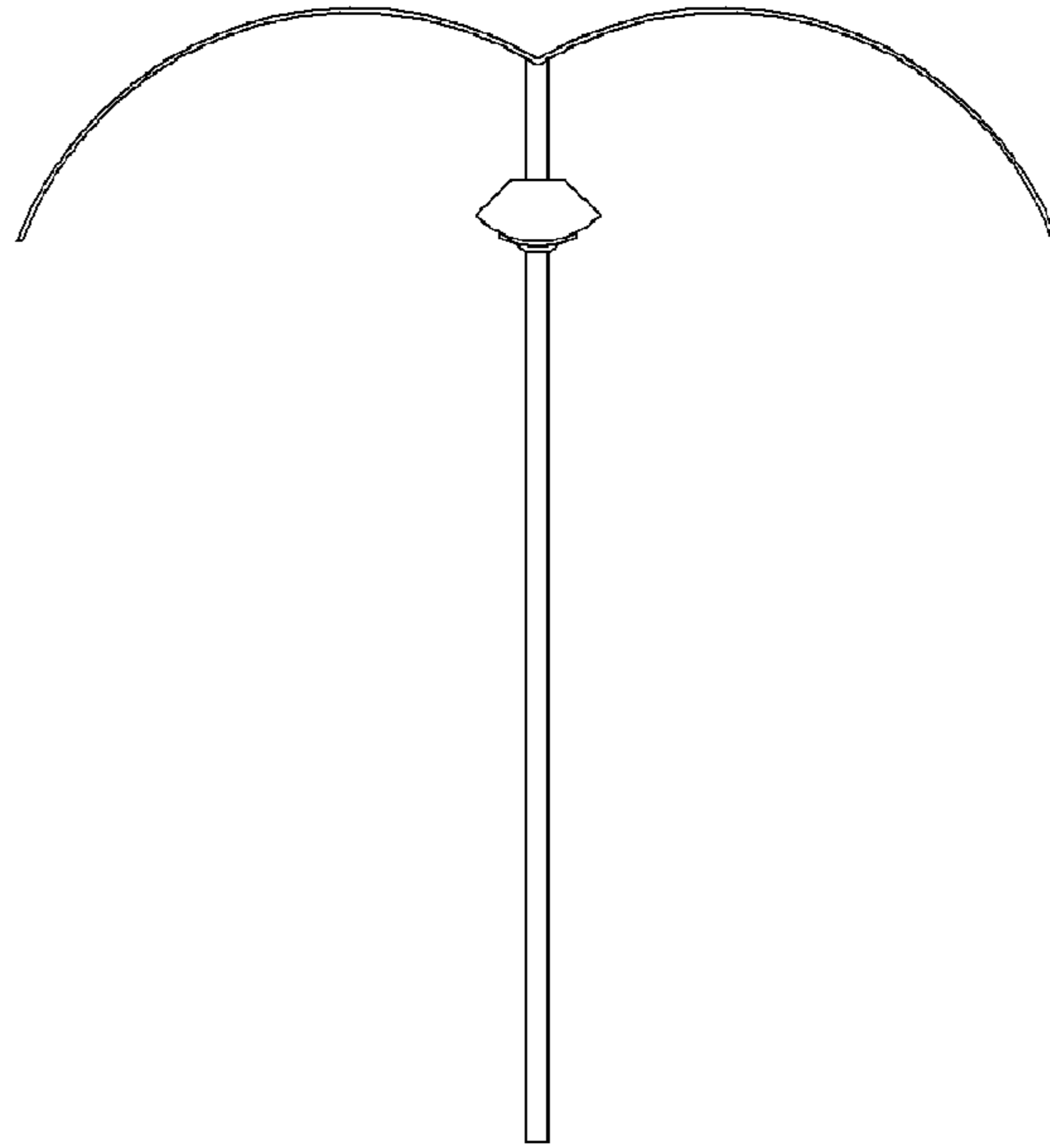


FIG. 3

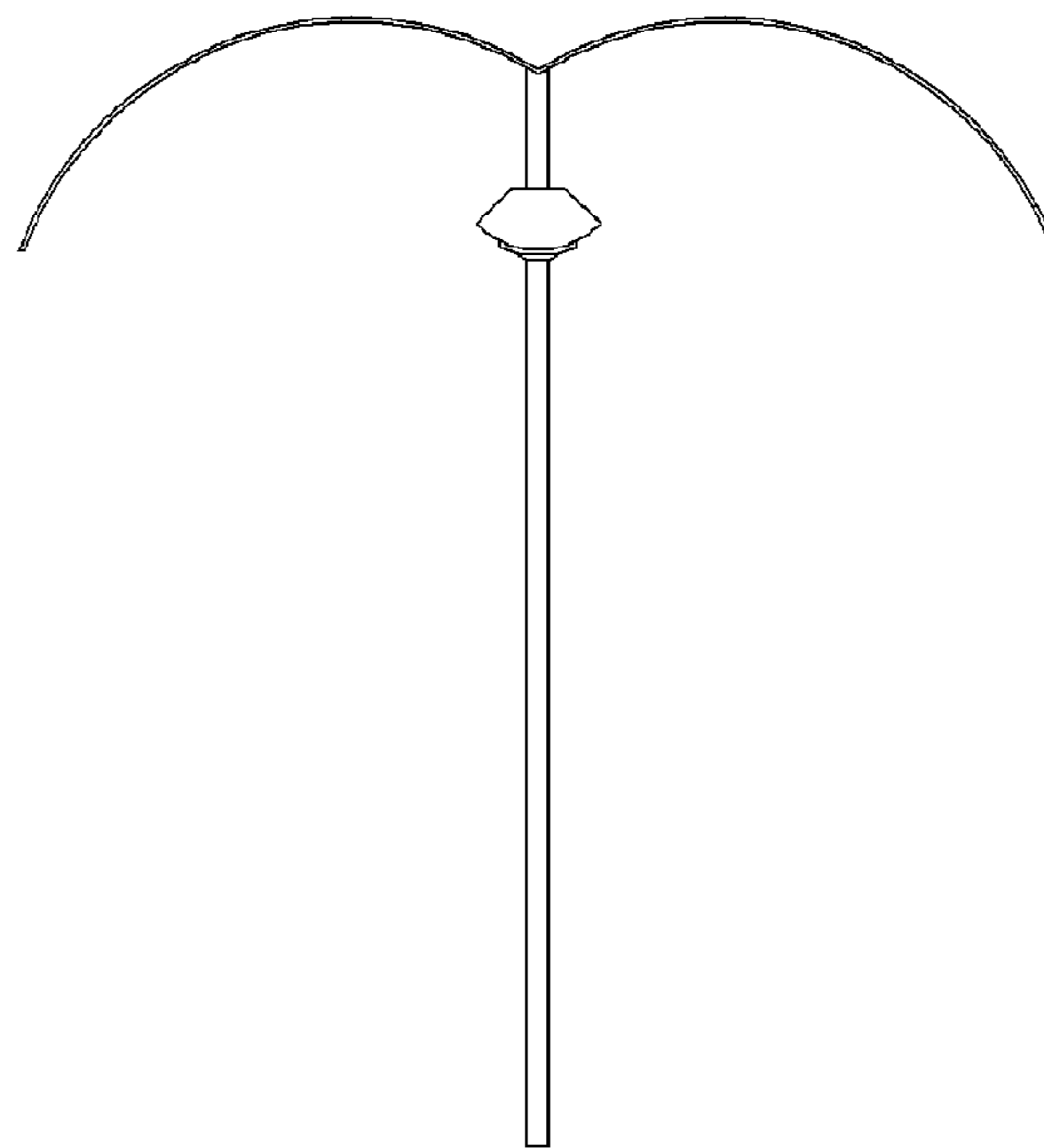


FIG. 4

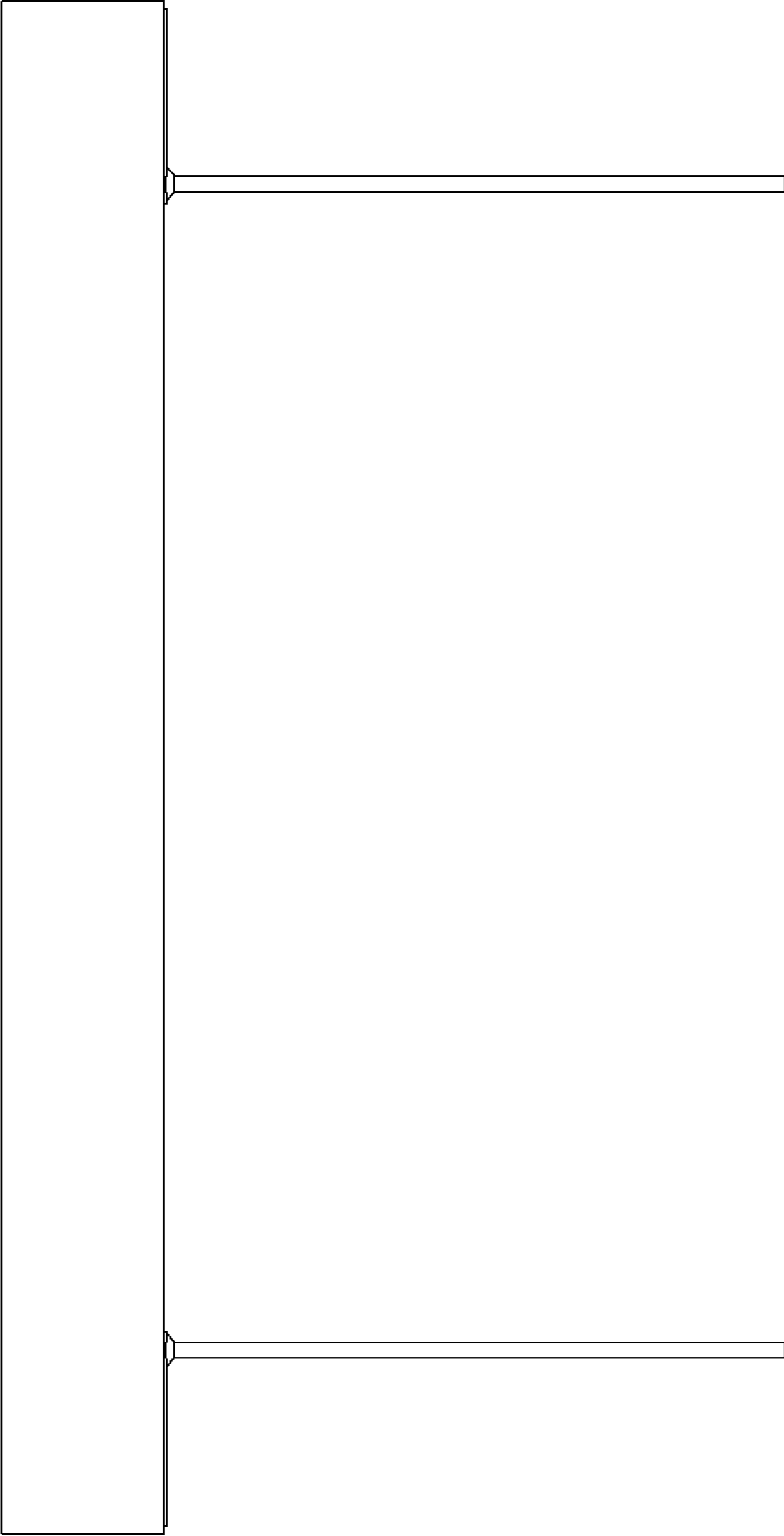


FIG. 5

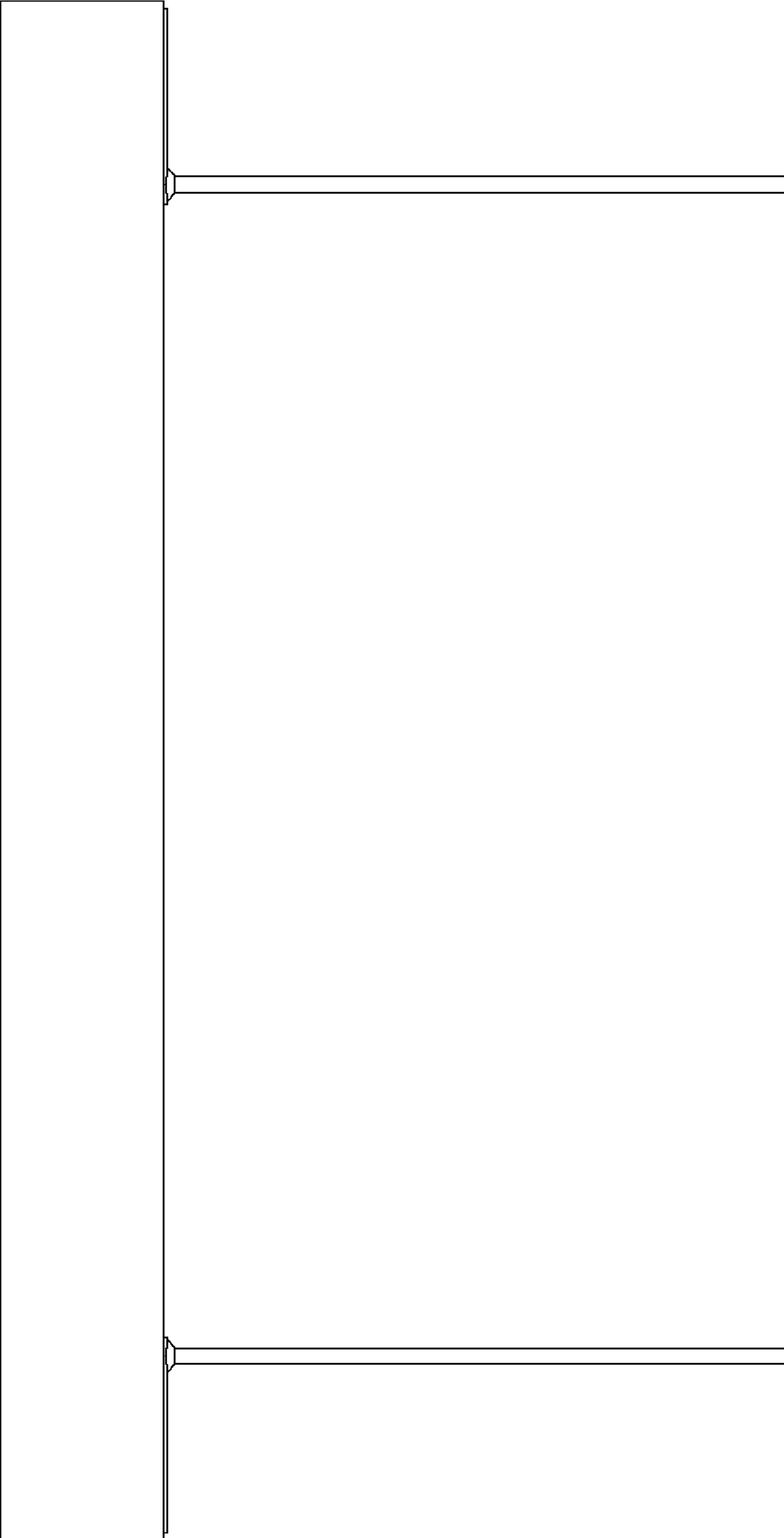


FIG. 6

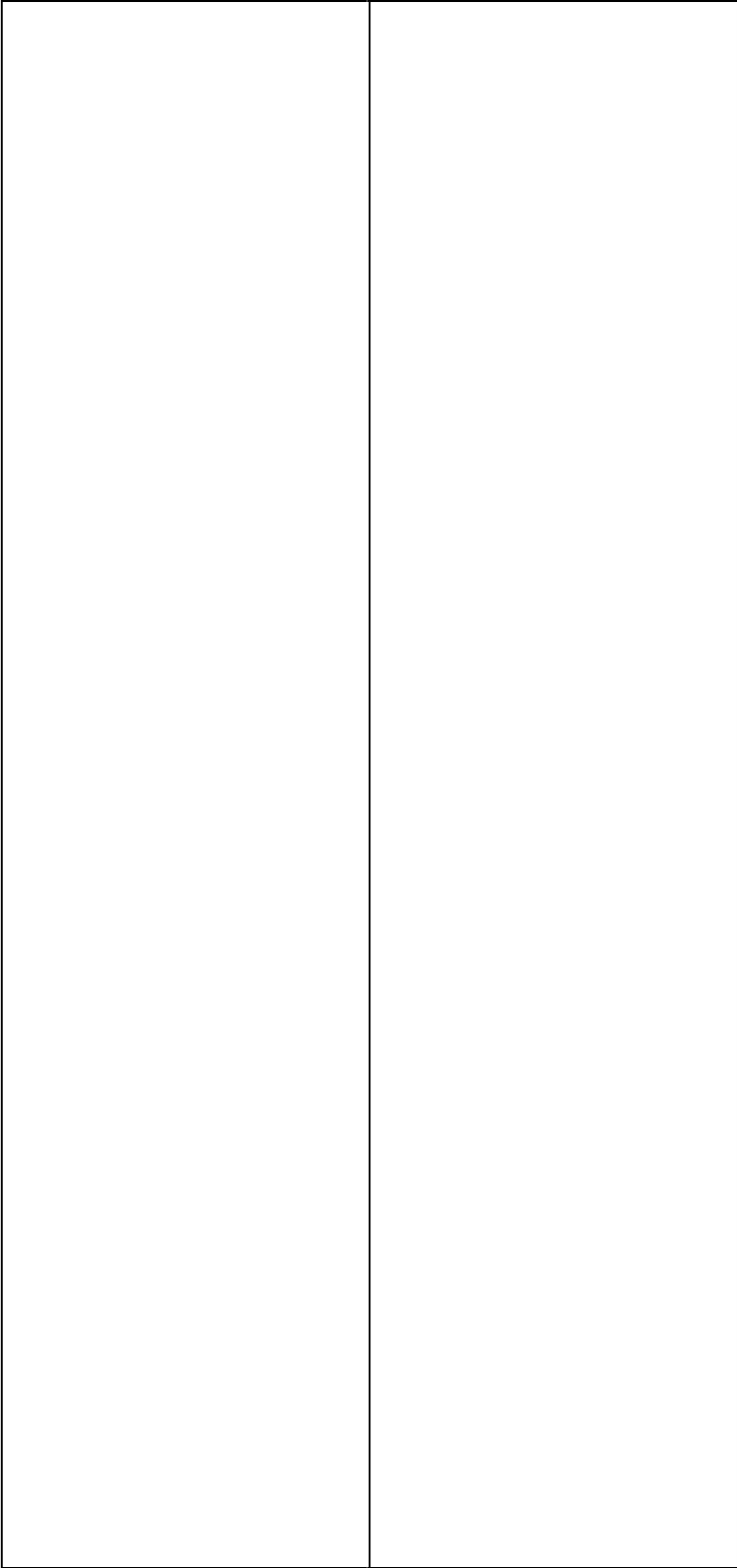


FIG. 7

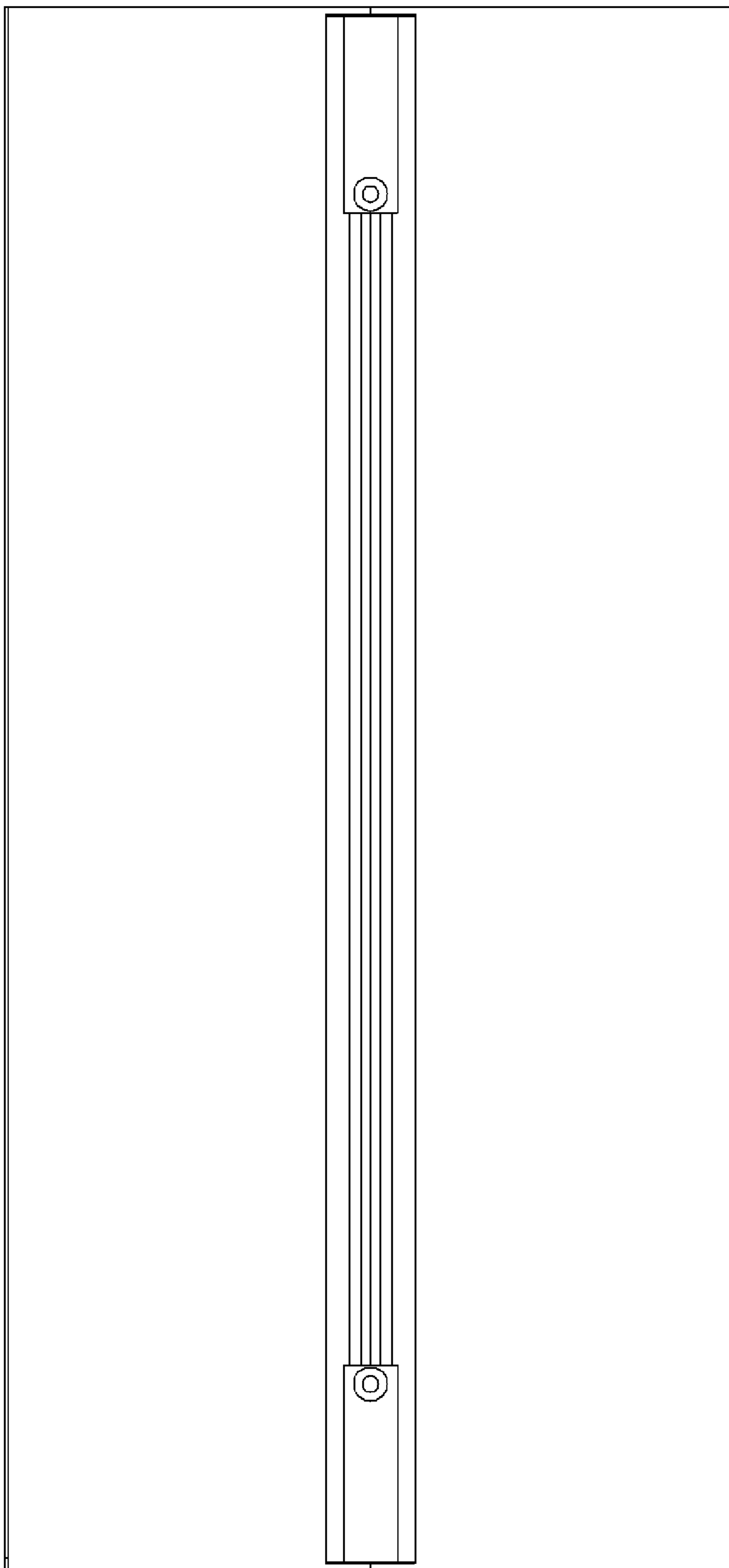


FIG. 8

