

US00D632817S

(12) **United States Design Patent**
Wang

(10) **Patent No.:** **US D632,817 S**

(45) **Date of Patent:** **** Feb. 15, 2011**

(54) **FLASHLIGHT**

(75) Inventor: **Chien-Kuo Wang**, Taipei (TW)

(73) Assignee: **Frenway Products Inc.**, Taipei (TW)

(**) Term: **14 Years**

(21) Appl. No.: **29/363,698**

(22) Filed: **Jun. 14, 2010**

(51) **LOC (9) Cl.** **26-02**

(52) **U.S. Cl.** **D26/49**

(58) **Field of Classification Search** D26/37,
D26/38, 39, 40, 48, 45, 46, 49, 50; 362/157,
362/158, 183, 184, 194-208

See application file for complete search history.

(56) **References Cited**

U.S. PATENT DOCUMENTS

D314,178 S *	1/1991	Reber	D13/144
D325,100 S *	3/1992	Usami	D26/49
5,690,509 A *	11/1997	Eisenbraun	439/490
D525,937 S *	8/2006	Seil et al.	D13/144
D544,622 S *	6/2007	Cheng	D26/46

D583,492 S *	12/2008	Jen	D26/40
D590,084 S *	4/2009	Witte	D26/46
D594,583 S *	6/2009	Puglisi	D26/49

* cited by examiner

Primary Examiner—Charles A Rademaker

Assistant Examiner—Carissa C Fitts

(57) **CLAIM**

The ornamental design for a flashlight, as shown and described.

DESCRIPTION

FIG. 1 is a perspective view of a flashlight showing my new design;

FIG. 2 is a front elevational view thereof;

FIG. 3 is a rear elevational view thereof;

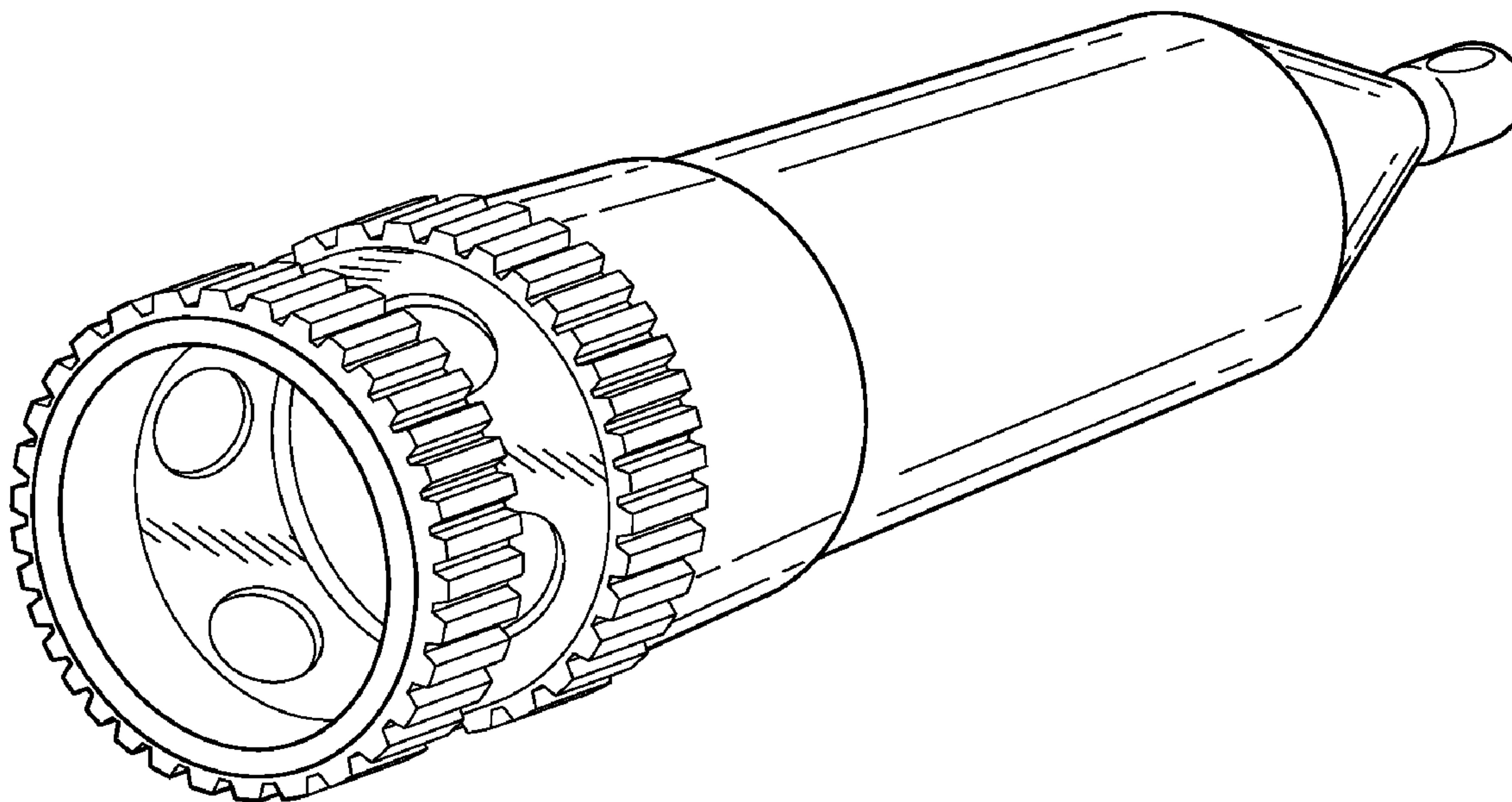
FIG. 4 is a left side view thereof;

FIG. 5 is a right side view thereof;

FIG. 6 is a top plan view thereof; and,

FIG. 7 is a bottom plan view thereof.

1 Claim, 5 Drawing Sheets



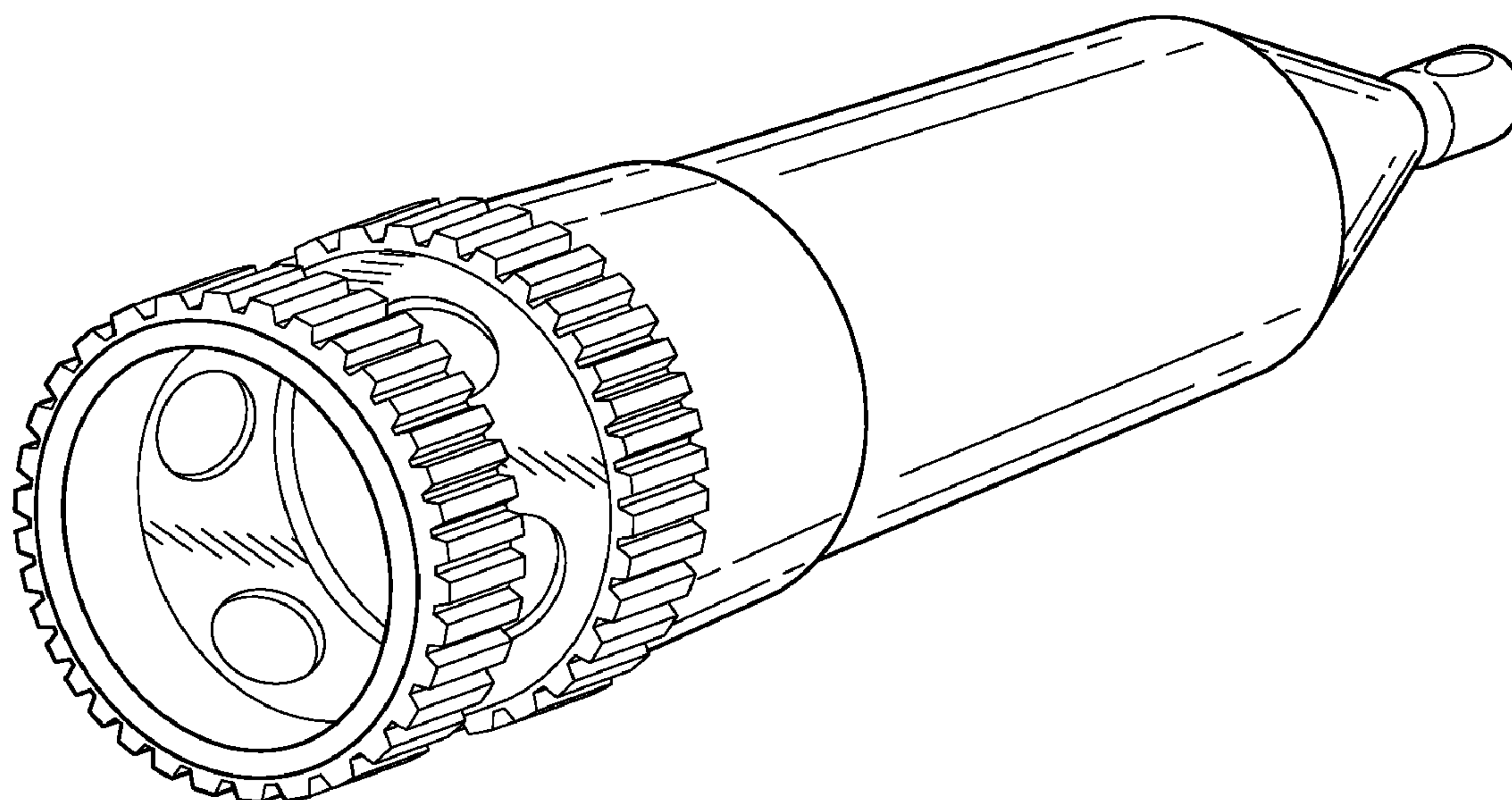


FIG. 1

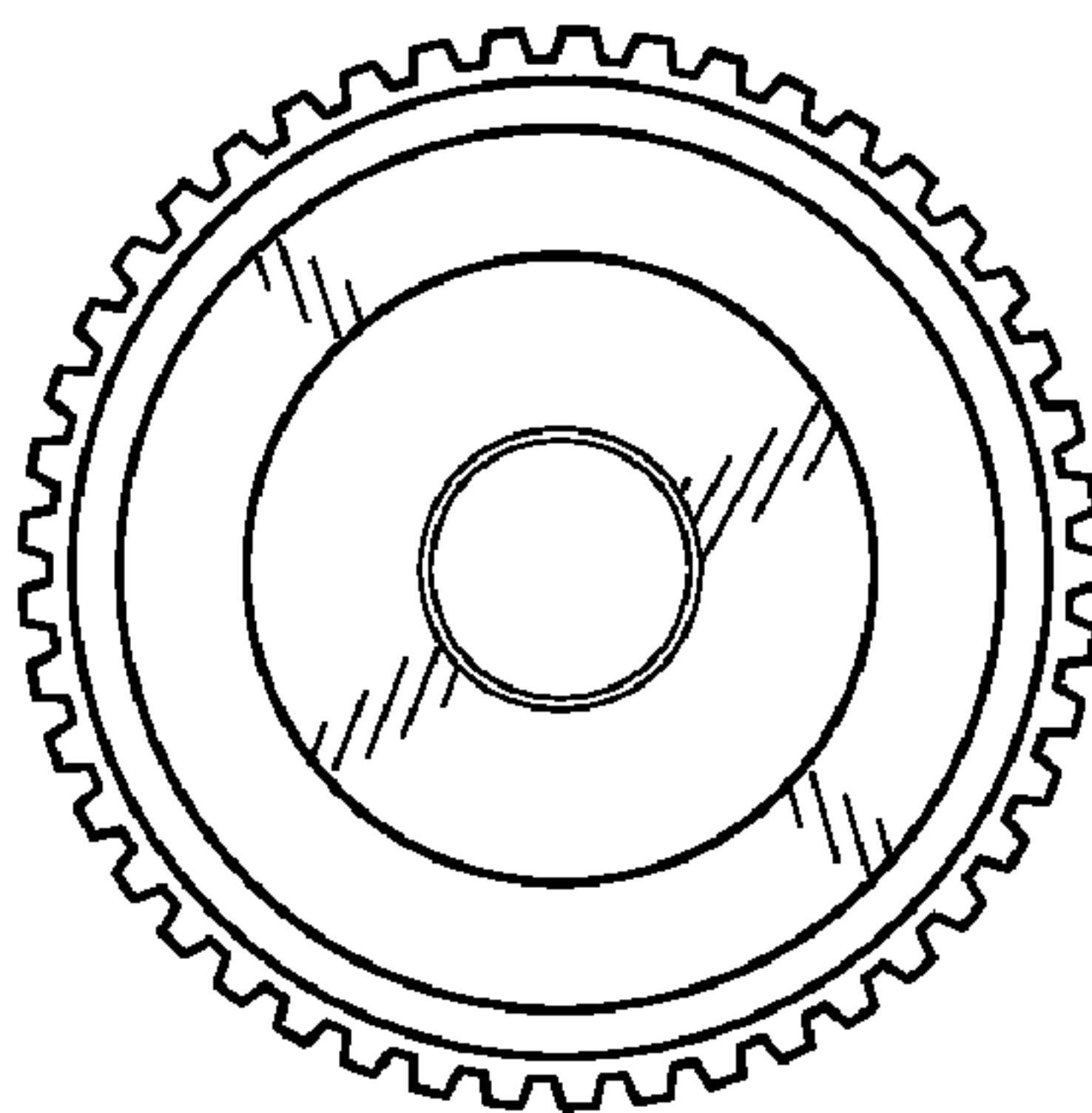


FIG. 2

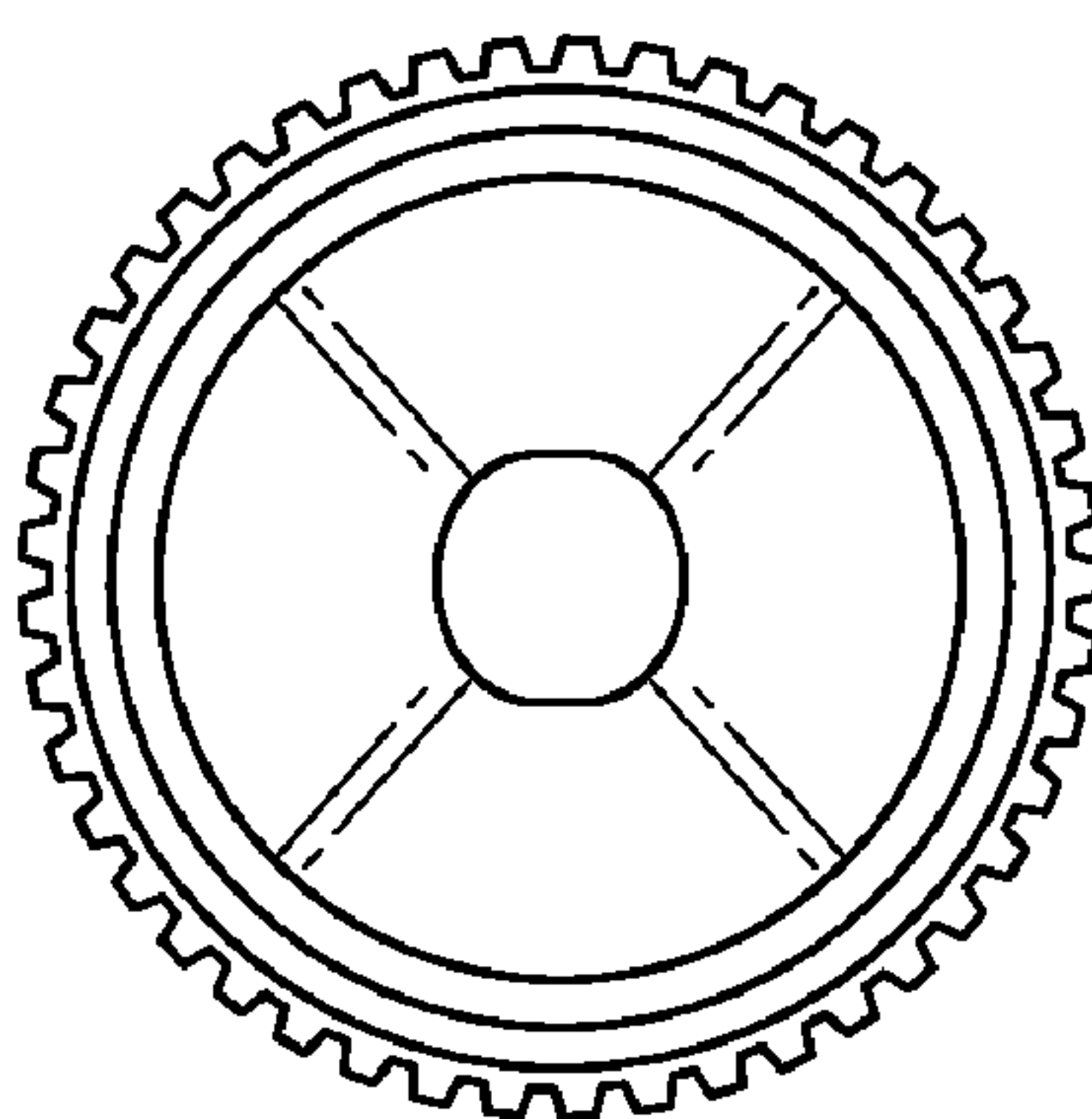


FIG. 3

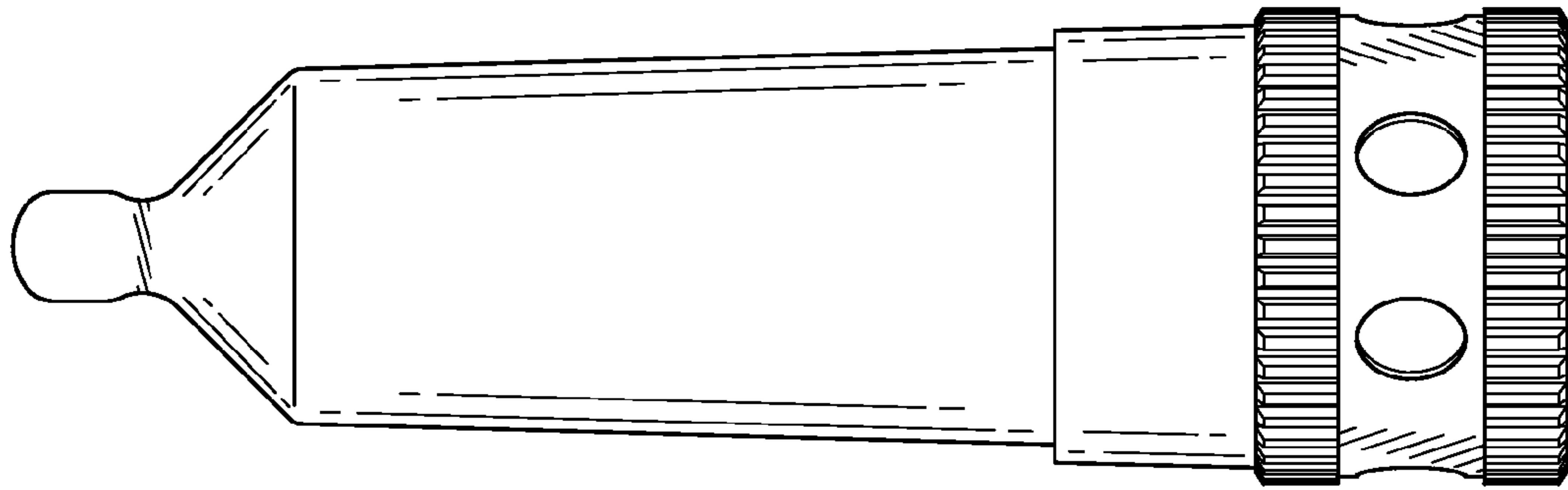


FIG. 4

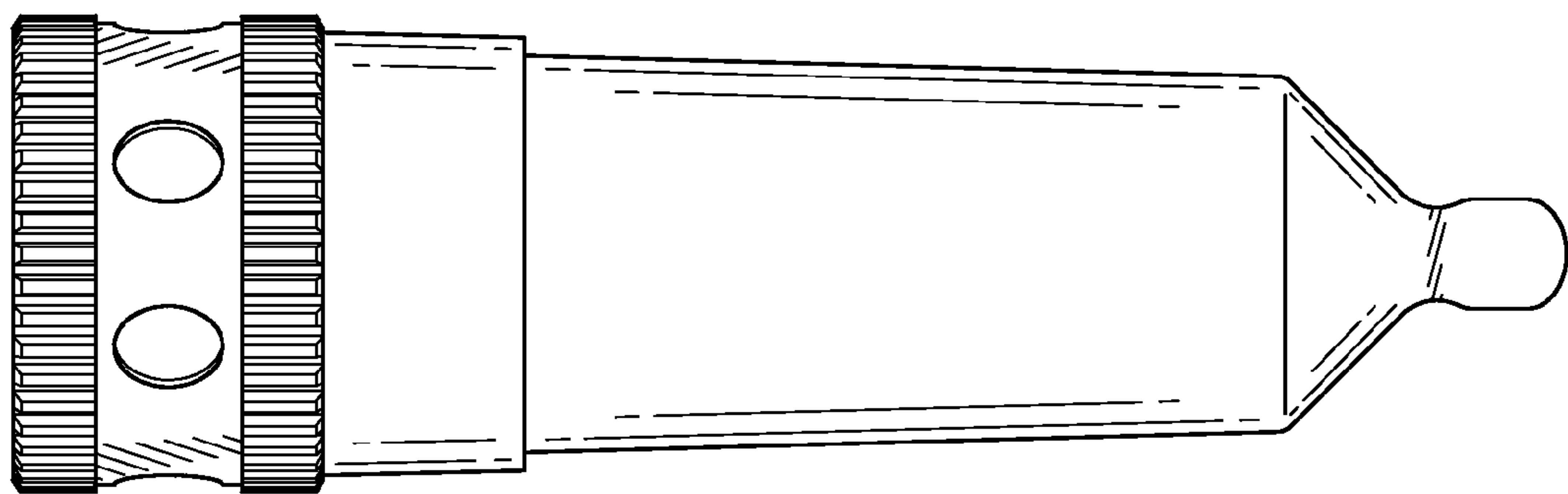


FIG. 5

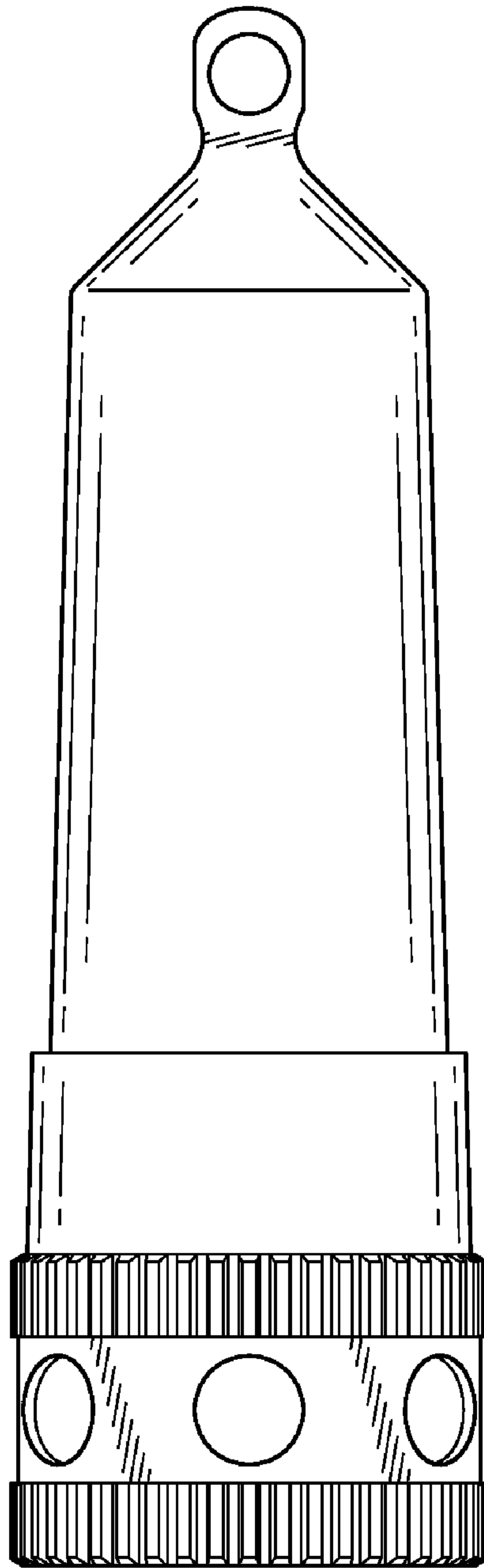


FIG. 6

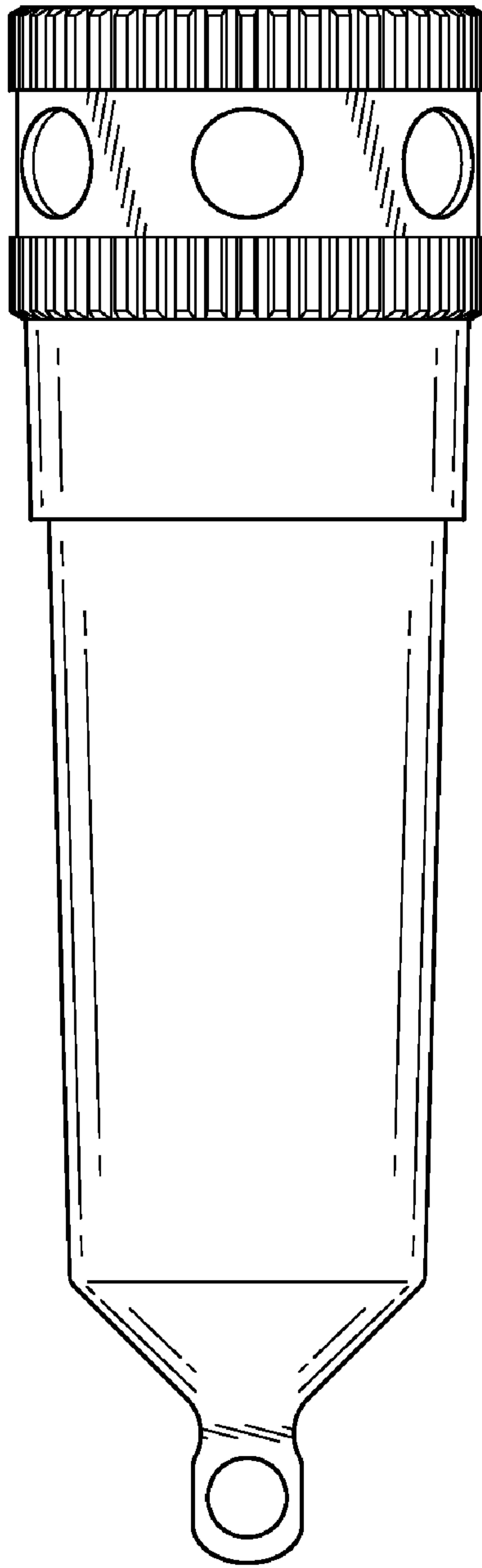


FIG. 7