



US00D632805S

(12) **United States Design Patent**
Bott

(10) **Patent No.:** **US D632,805 S**
(45) **Date of Patent:** **** Feb. 15, 2011**

(54) **MULTI-COMPONENT RETAINING WALL BLOCK**

FOREIGN PATENT DOCUMENTS

EP 0112213 B1 4/1987

(75) Inventor: **Timothy A. Bott**, Sunfish Lake, MN (US)

(Continued)

(73) Assignee: **Alan Block, LLC**, Edina, MN (US)

OTHER PUBLICATIONS

(**) Term: **14 Years**

Website for Poligono-Mauersystem: <http://www.ehl.de/productti.php?ProductId=529&MainPNId=6&SekPNId=47&PHPSESSID=a5d...> Jul. 30, 2009.

(21) Appl. No.: **29/356,017**

(22) Filed: **Feb. 18, 2010**

Primary Examiner—T. Chase Nelson

Assistant Examiner—Anhdao Doan

(74) *Attorney, Agent, or Firm*—Fredrikson & Bryon, P.A.

Related U.S. Application Data

(62) Division of application No. 29/342,671, filed on Aug. 28, 2009.

(57) **CLAIM**

(51) **LOC (9) Cl.** **25-01**

The ornamental design for a multi-component retaining wall block, as shown and described.

(52) **U.S. Cl.** **D25/113**

(58) **Field of Classification Search** D25/102, D25/112–118; D21/484–486; 52/503–505, 52/574, 575, 596, 600–605; 405/284, 286; 404/29, 30, 34, 37, 41, 42

See application file for complete search history.

DESCRIPTION

(56) **References Cited**

U.S. PATENT DOCUMENTS

3,464,211	A	9/1969	Andresen	
3,877,236	A *	4/1975	O'Neill et al.	D25/113
D251,305	S *	3/1979	Ceglia	D25/118
4,372,091	A *	2/1983	Brown et al.	D25/115
4,597,236	A	7/1986	Braxton	
D300,863	S *	4/1989	McNeely	D25/113
4,896,999	A	1/1990	Ruckstuhl	
4,909,010	A	3/1990	Gravier	
5,315,802	A	5/1994	Hart	
5,337,527	A	8/1994	Wagenaar	
5,350,256	A	9/1994	Hammer	
5,484,236	A	1/1996	Gravier	
5,623,797	A	4/1997	Gravier et al.	
5,688,078	A	11/1997	Hammer	
5,788,423	A	8/1998	Perkins	

FIG. 1 is a front perspective view of the multi-component retaining wall block of my design shown assembled and stacked on a second assembled multi-component retaining wall block;

FIG. 2 is a right-side elevation view thereof, the left-side elevation view being a mirror image thereof;

FIG. 3 is a top plan view thereof;

FIG. 4 is a bottom plan view thereof;

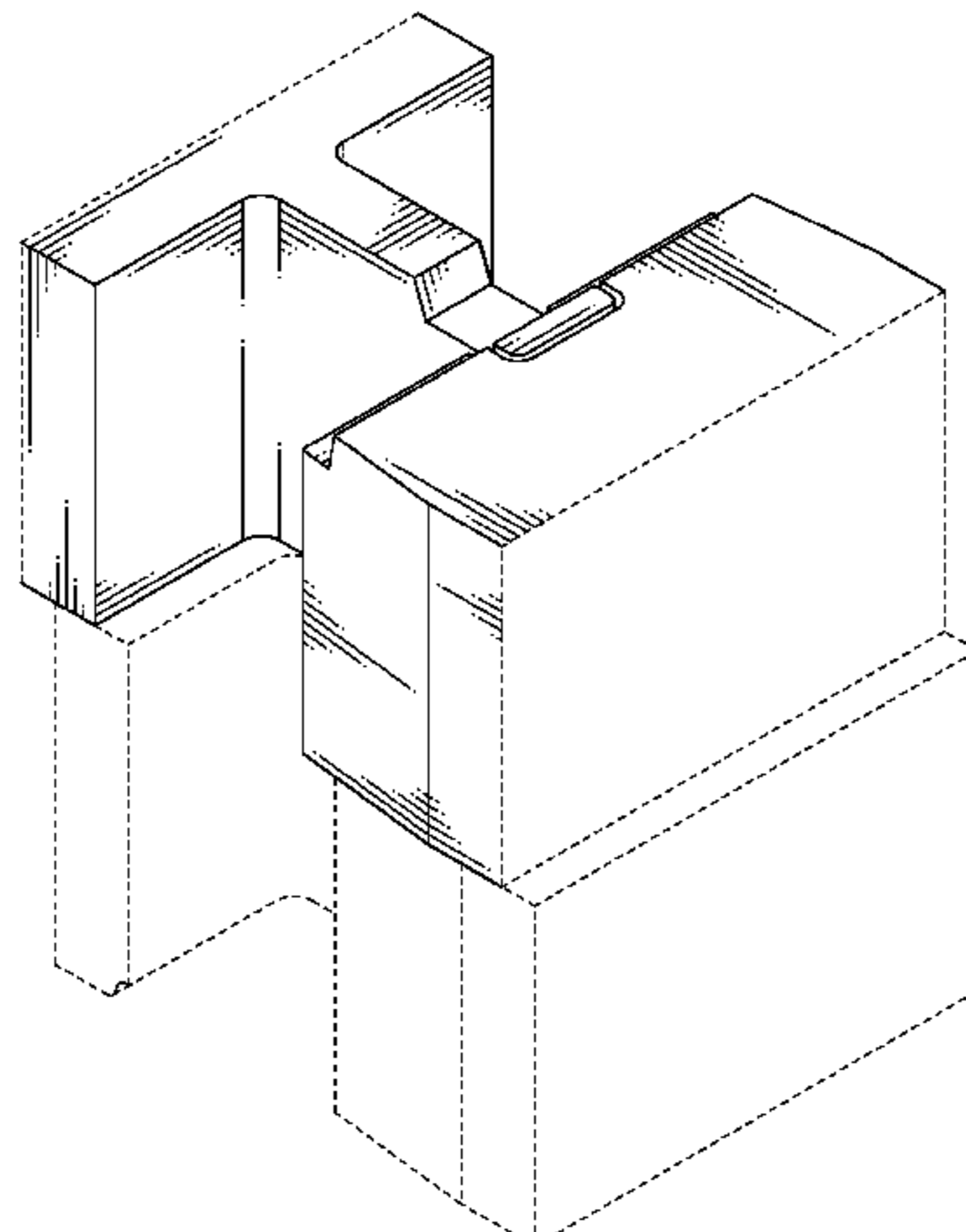
FIG. 5 is a front elevation view thereof; and,

FIG. 6 is a rear elevation view thereof.

The broken line showing of another multi-component retaining wall block in FIG. 1 represents environmental structure, and all other broken lines in the views are included for the purpose of illustrating portions of the multi-component retaining wall block that form no part of the claimed design. None of the broken lines form a part of the claimed design.

(Continued)

1 Claim, 4 Drawing Sheets



US D632,805 S

Page 2

U.S. PATENT DOCUMENTS

5,820,304 A 10/1998 Sorheim et al.
5,878,545 A 3/1999 Gebhart
D411,315 S * 6/1999 Bott D25/113
6,062,772 A 5/2000 Perkins
6,226,951 B1 * 5/2001 Azar 52/604
6,250,850 B1 6/2001 Price et al.
D459,487 S * 6/2002 Bott D25/118
D475,143 S 5/2003 Hammer
D526,067 S * 8/2006 Rainey D25/114
D530,832 S * 10/2006 Rainey D25/114
D539,438 S * 3/2007 Price D25/113

D548,365 S * 8/2007 Price D25/113
7,410,328 B2 8/2008 Hamel
2004/0134154 A1 7/2004 Bott
2004/0161307 A1 8/2004 Hammer
2007/0196184 A1 8/2007 Hammer et al.
2009/0000234 A1 * 1/2009 Bott et al. 52/604

FOREIGN PATENT DOCUMENTS

EP 1862597 B1 12/2009
WO 20080157828 A2 12/2008

* cited by examiner

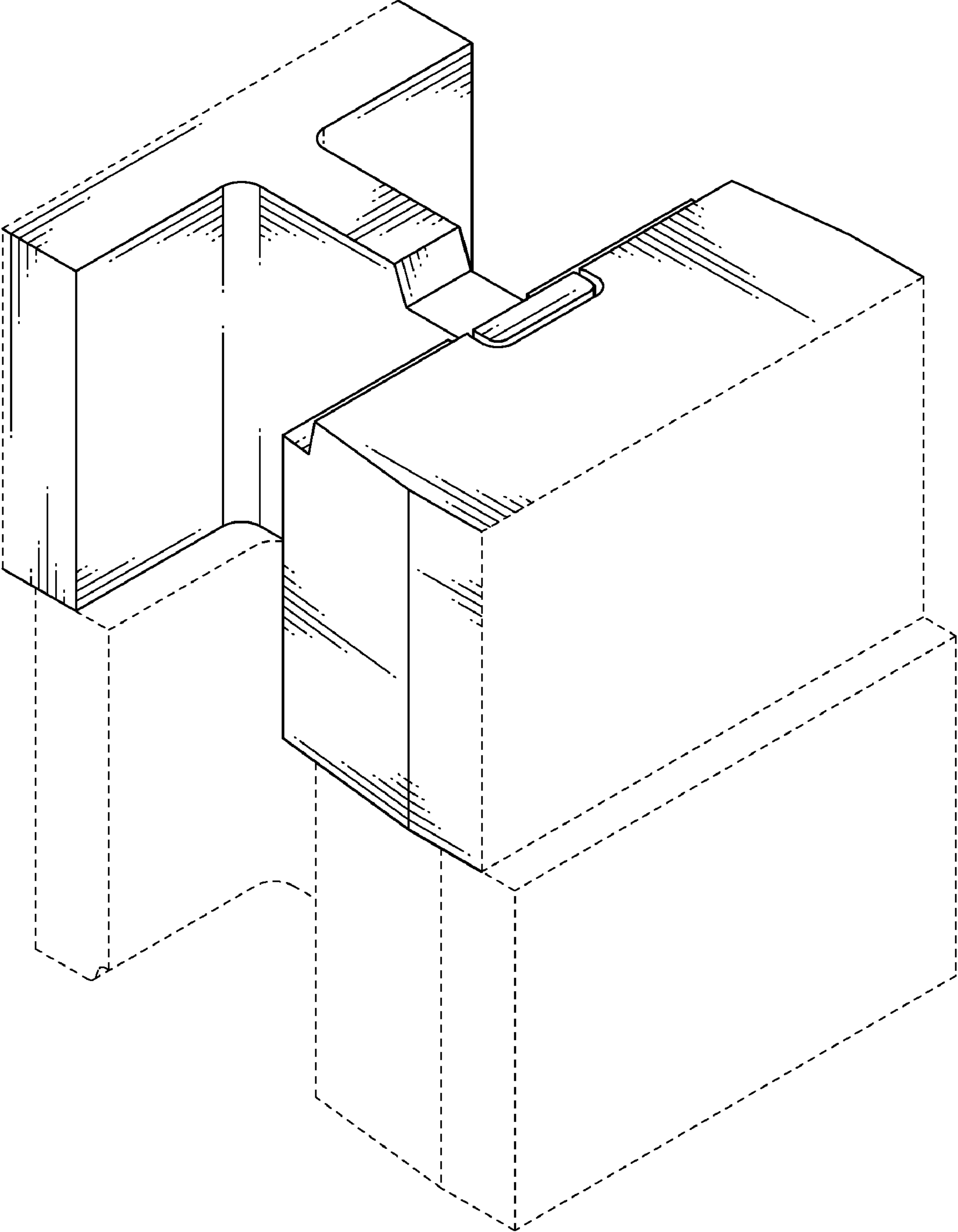


FIG. 1

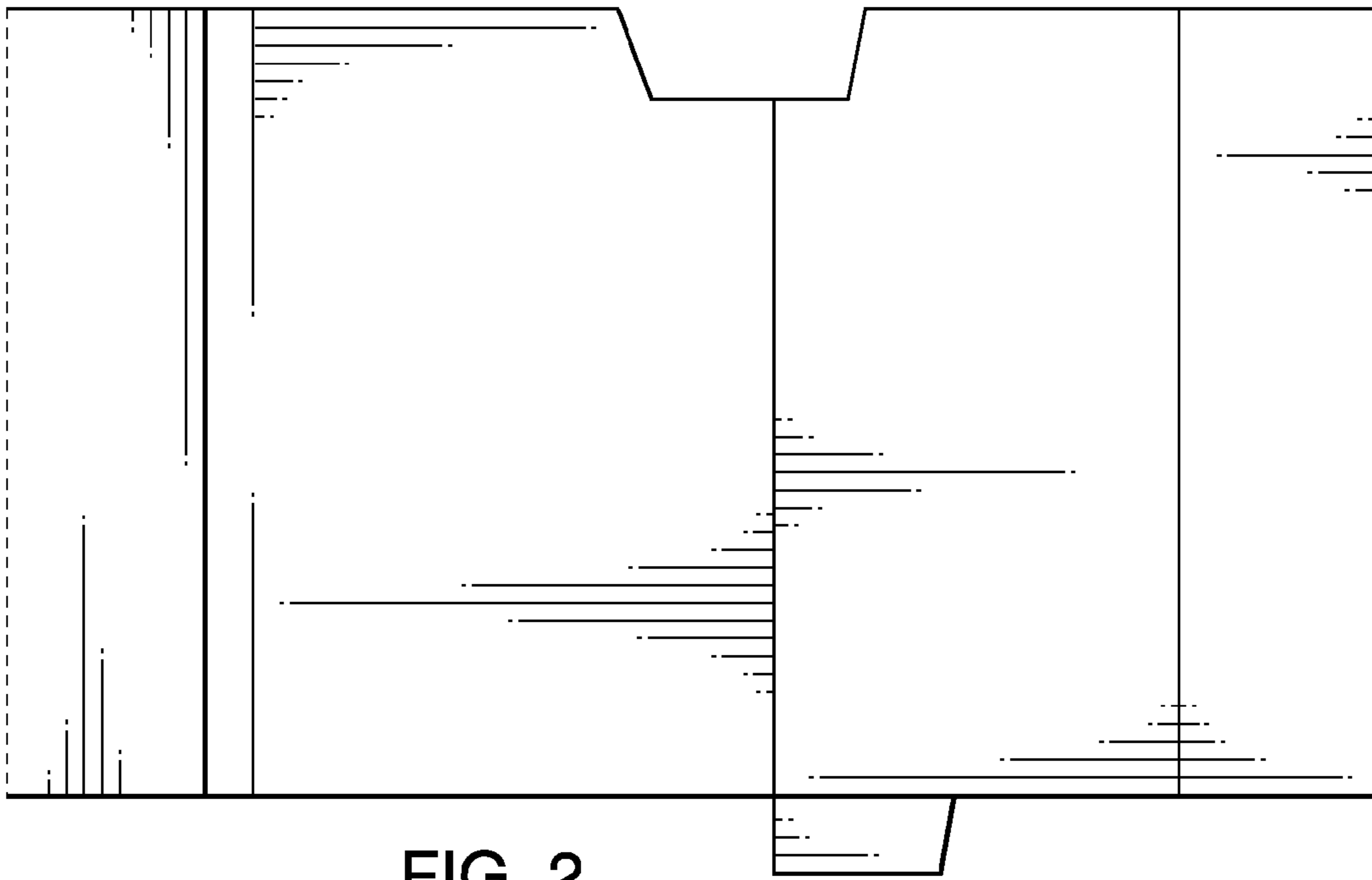


FIG. 2

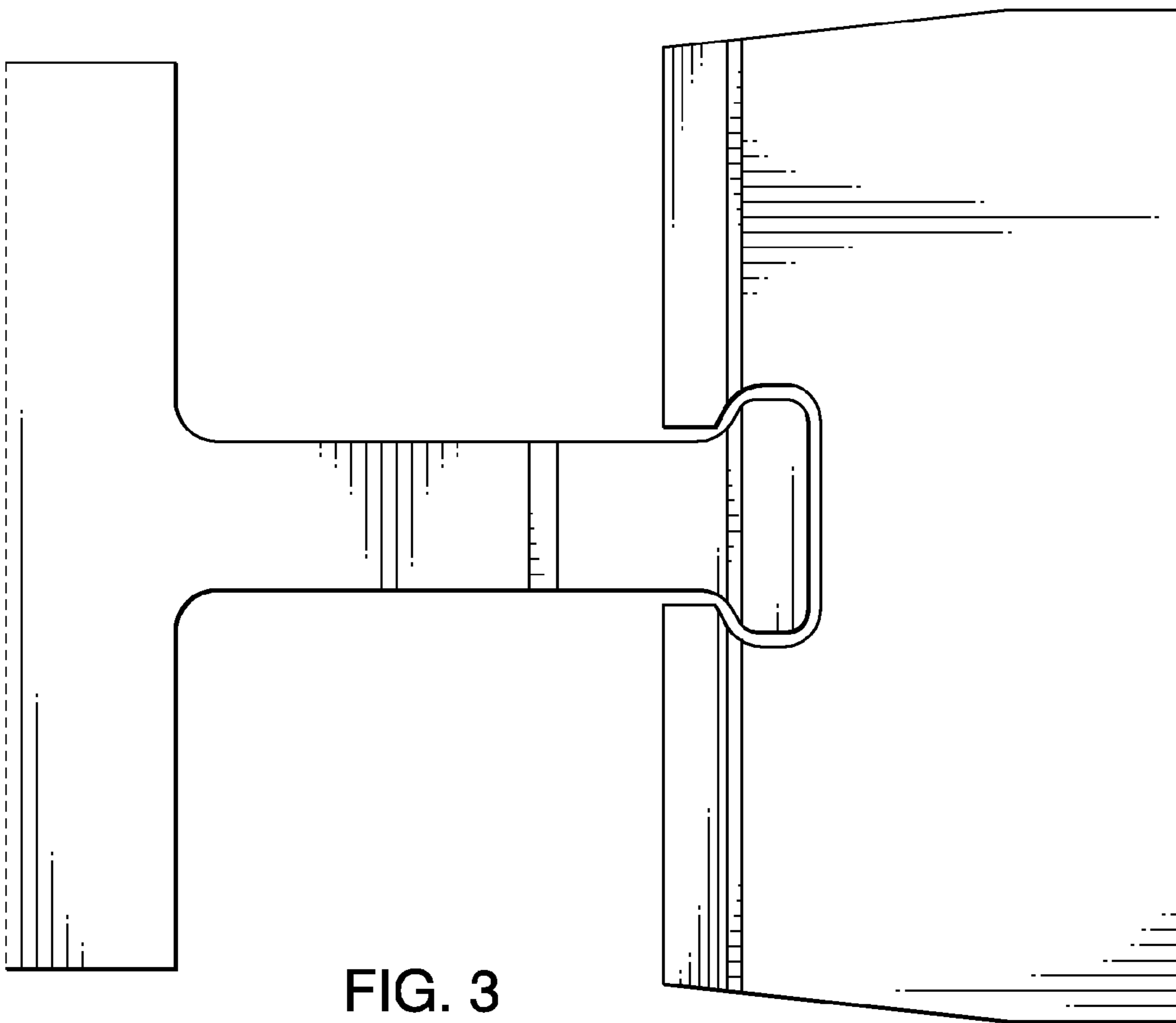


FIG. 3

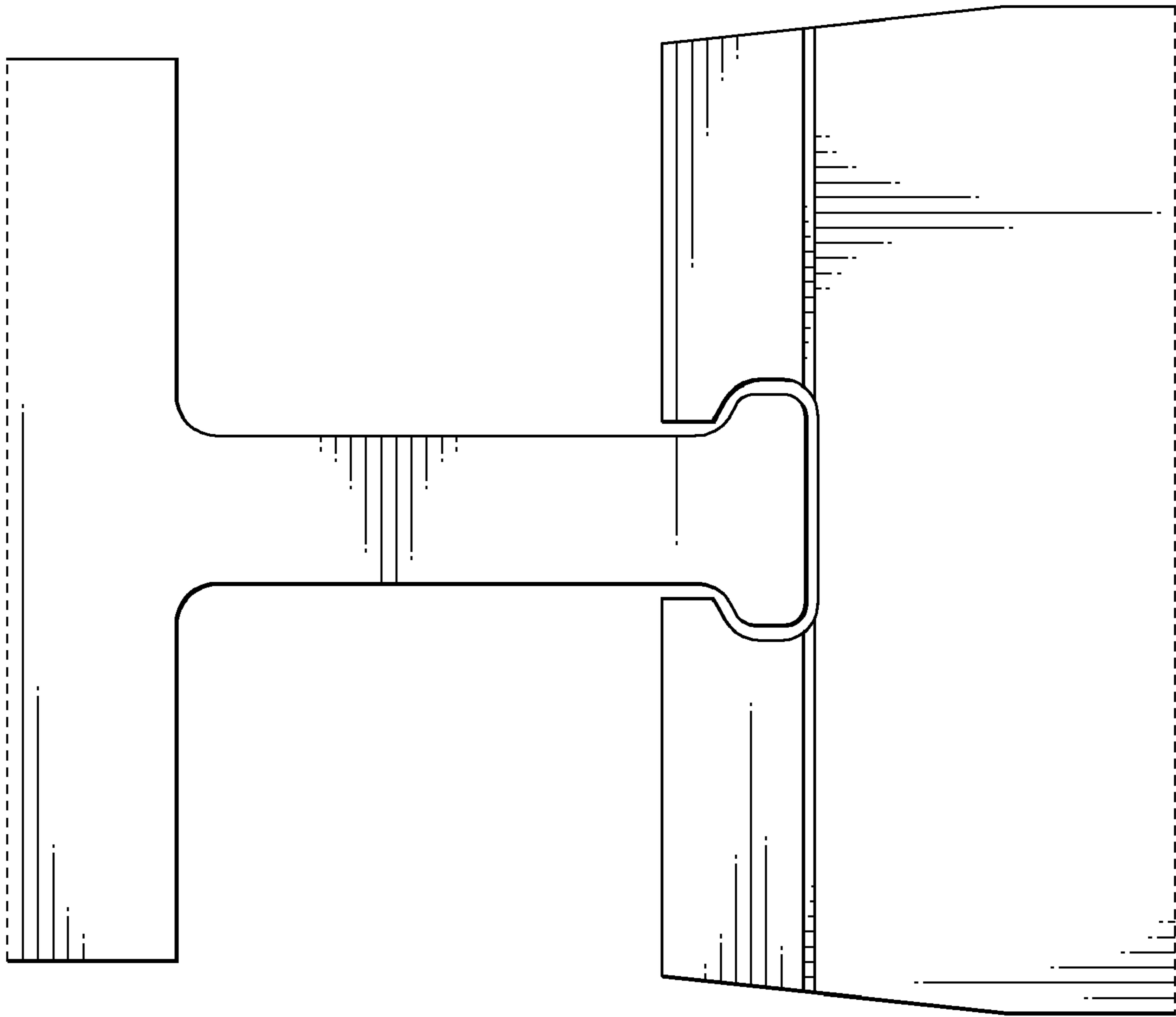


FIG. 4



FIG. 5

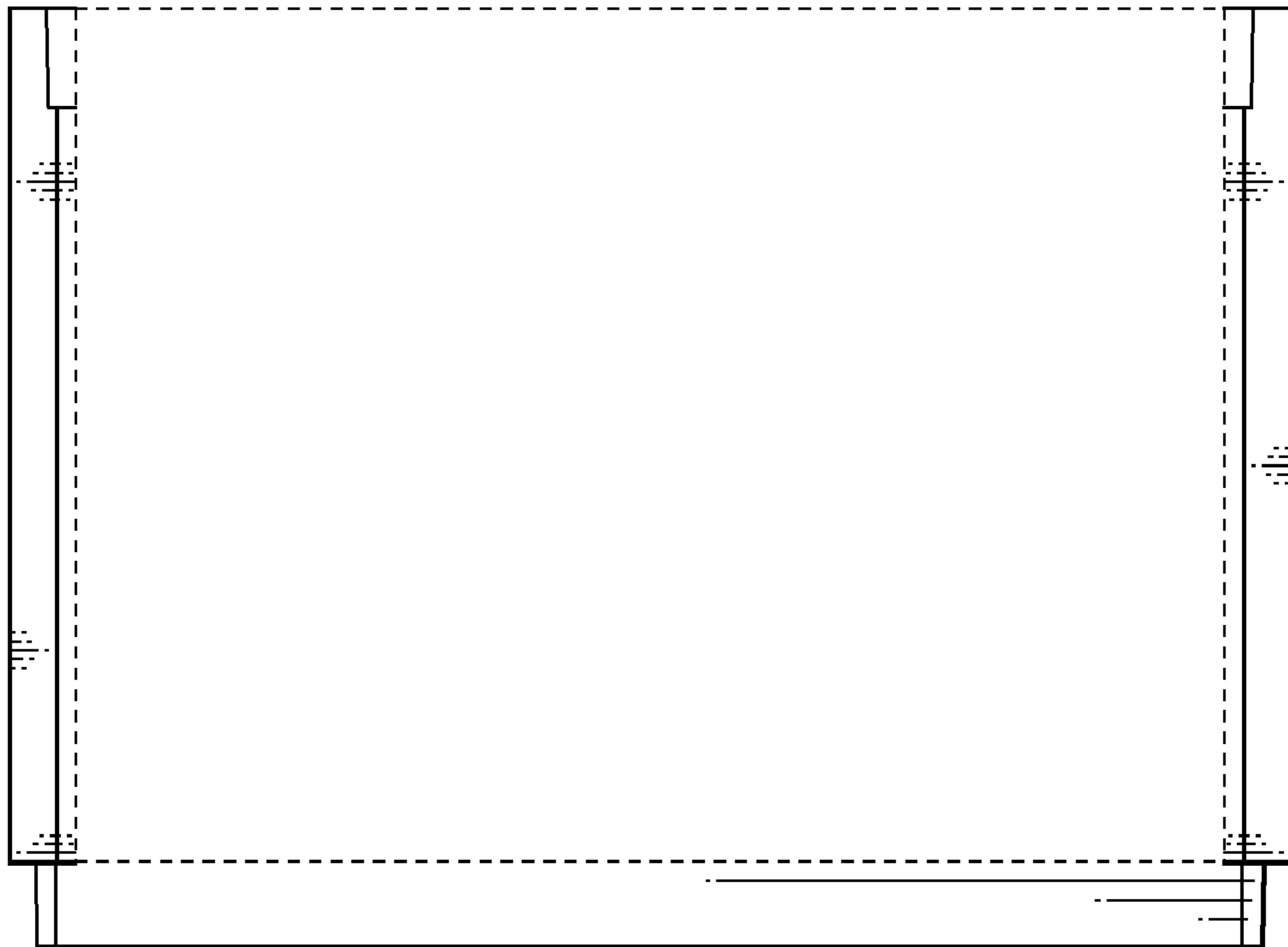


FIG. 6

UNITED STATES PATENT AND TRADEMARK OFFICE
CERTIFICATE OF CORRECTION

PATENT NO. : D632,805 S
APPLICATION NO. : 29/356017
DATED : February 15, 2011
INVENTOR(S) : Timothy A. Bott

Page 1 of 1

It is certified that error appears in the above-identified patent and that said Letters Patent is hereby corrected as shown below:

Title Page, (73) Assignee: "Alan Block, LLC, Edina, MN (US)", should read --Allan Block, LLC,
Edina, MN (US)--

Signed and Sealed this
Tenth Day of May, 2011

A handwritten signature in black ink that reads "David J. Kappos". The signature is written in a cursive style with a large initial 'D' and 'K'.

David J. Kappos
Director of the United States Patent and Trademark Office