

US00D632802S

(12) **United States Design Patent**
Salinas et al.

(10) **Patent No.:** **US D632,802 S**
(45) **Date of Patent:** **** Feb. 15, 2011**

(54) **PROTECTIVE COVER FOR A PHARMACEUTICAL VIAL**
(76) Inventors: **Victor R. Salinas**, 5930 Star La., Suite F, Houston, TX (US) 77057; **Joel Grossman**, 4780 Water Park Dr., Belcamp, MD (US) 21017

(**) Term: **14 Years**

(21) Appl. No.: **29/357,186**

(22) Filed: **Mar. 8, 2010**

(51) **LOC (9) Cl.** **24-01**

(52) **U.S. Cl.** **D24/224**

(58) **Field of Classification Search** D24/216,
D24/222–226, 227, 231, 232, 121, 128; 422/99,
422/102, 266, 300; D7/608, 619.1, 624.2;
D9/444, 455, 501; 294/19.1, 27.1, 33
See application file for complete search history.

(56) **References Cited**

U.S. PATENT DOCUMENTS

2,279,075	A *	4/1942	Street et al.	D24/227
4,353,869	A *	10/1982	Guth	422/102
4,606,523	A *	8/1986	Statz et al.	294/33
D290,401	S *	6/1987	Bjorkman	D24/227
D311,260	S *	10/1990	Hasert	D9/455
D311,876	S *	11/1990	Kiegami	D24/224

D341,520	S *	11/1993	LaBelle	D7/601
D453,572	S *	2/2002	Livecchi	D24/224
D514,705	S *	2/2006	Bublewitz et al.	D24/224
7,198,757	B2 *	4/2007	Chiarin	422/99
D595,862	S *	7/2009	Suzuki et al.	D24/227
D620,604	S *	7/2010	Alford	D24/224

* cited by examiner

Primary Examiner—T. Chase Nelson

Assistant Examiner—Anhdao Doan

(74) *Attorney, Agent, or Firm*—Kenneth A. Roddy

(57) **CLAIM**

The ornamental design for a protective cover for a pharmaceutical vial, as shown and described.

DESCRIPTION

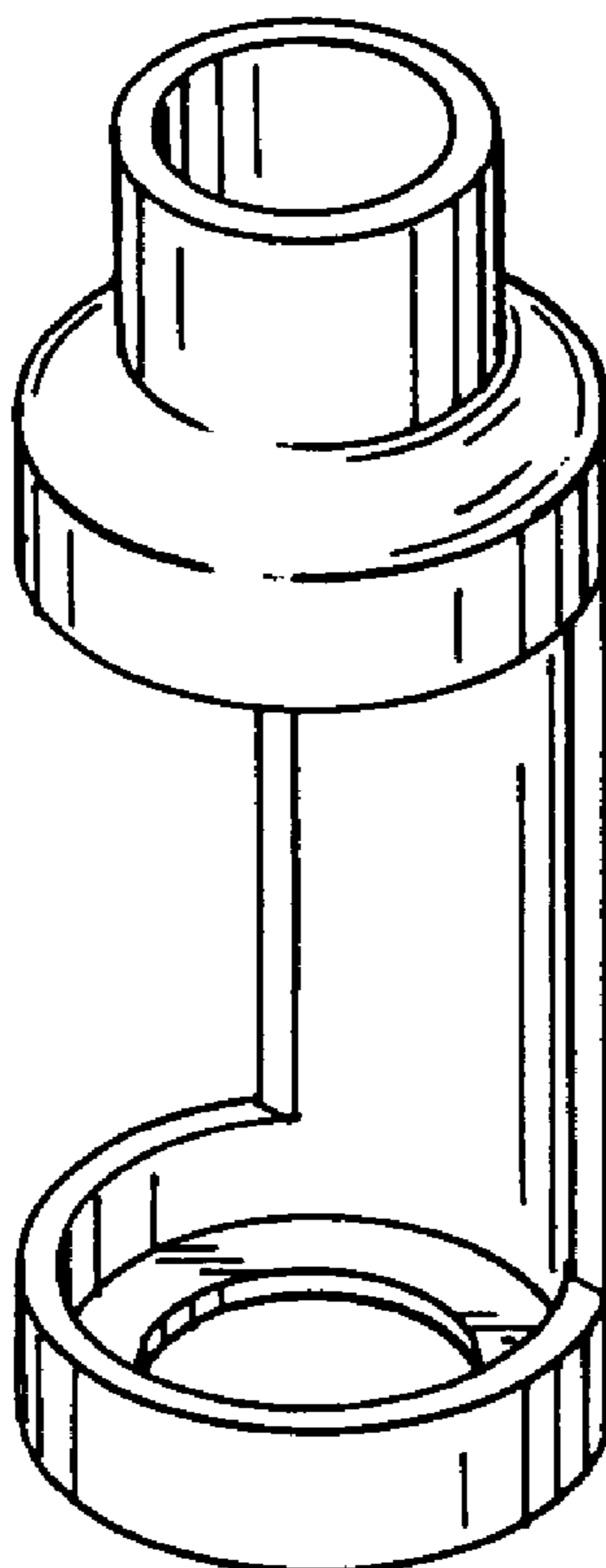
FIG. 1 is a perspective view a protective cover for a pharmaceutical vial, showing our new design from the top, front and side; and

FIG. 2 is a perspective view thereof as seen from the bottom, rear and side opposite of the side shown in FIG. 1; and,

FIG. 3 is a side elevation of the protective cover installed on a pharmaceutical vial represented in dashed line.

The dashed line showing of the vial in FIG. 3 is for illustrative purposes only and does not form part of the claimed design.

1 Claim, 1 Drawing Sheet



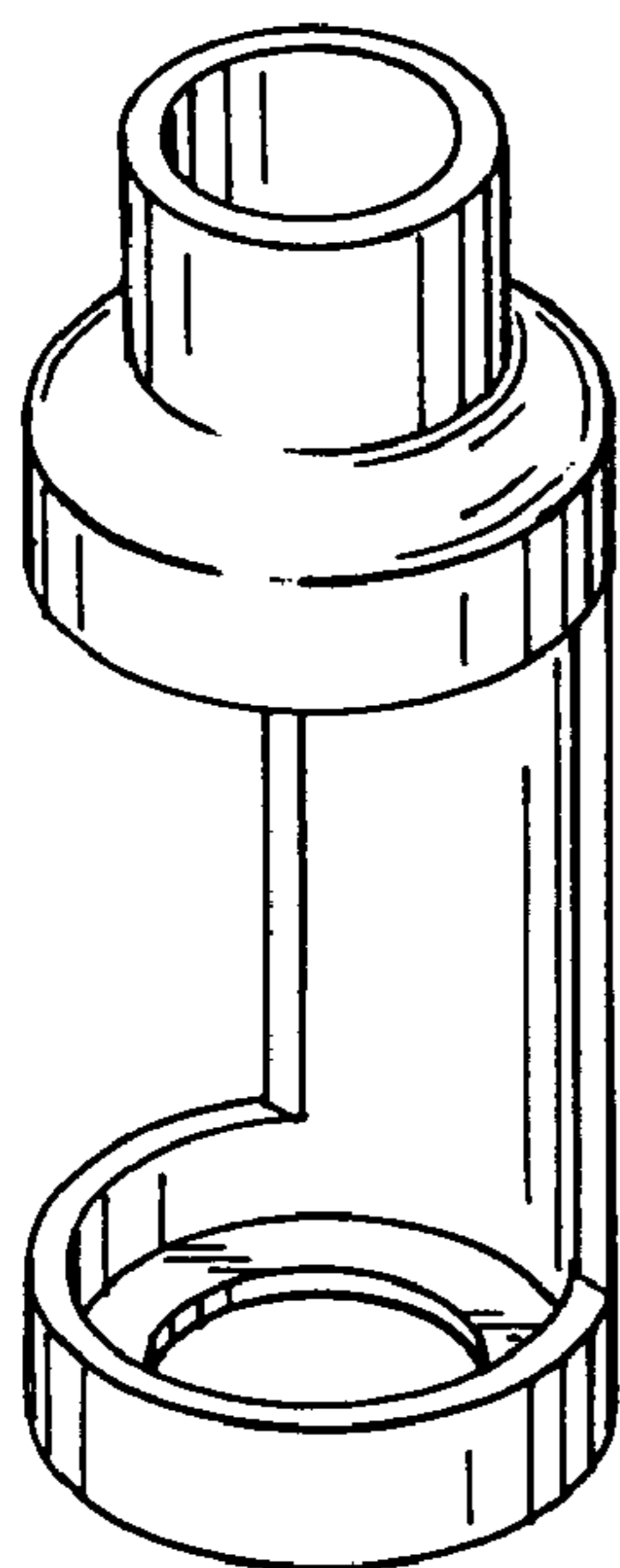


Fig. 1

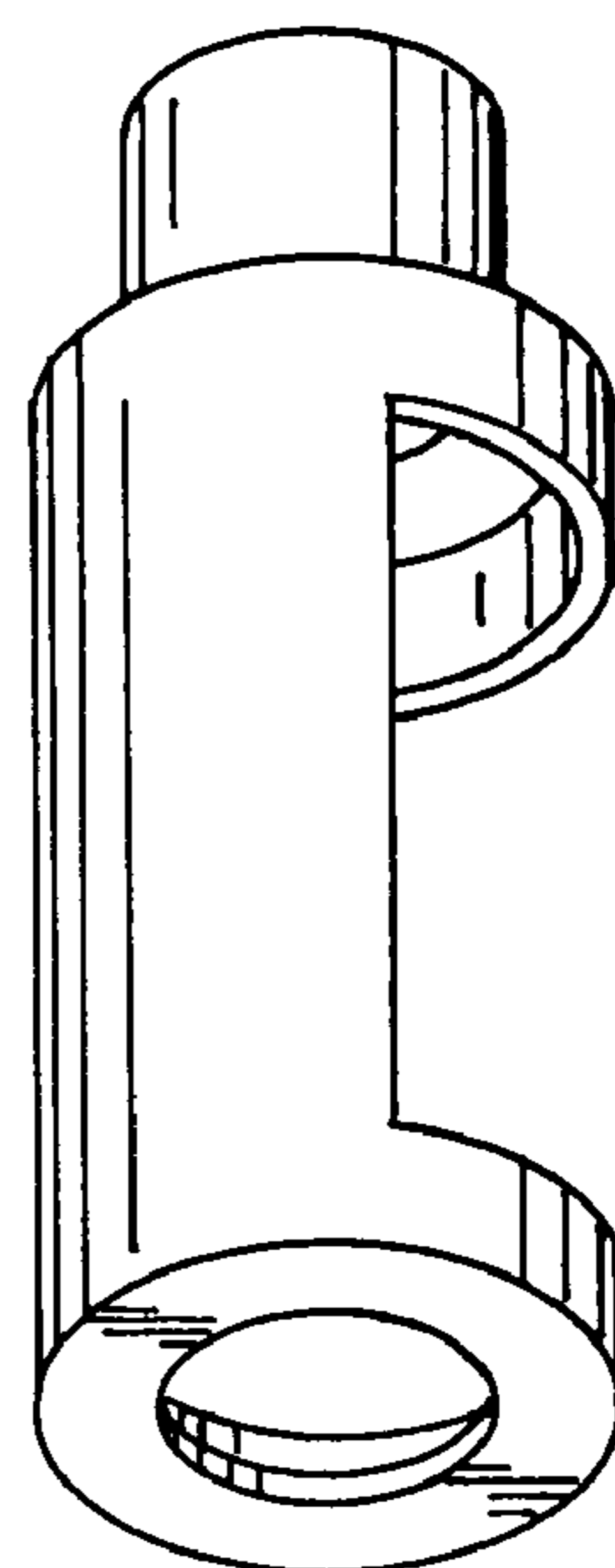


Fig. 2

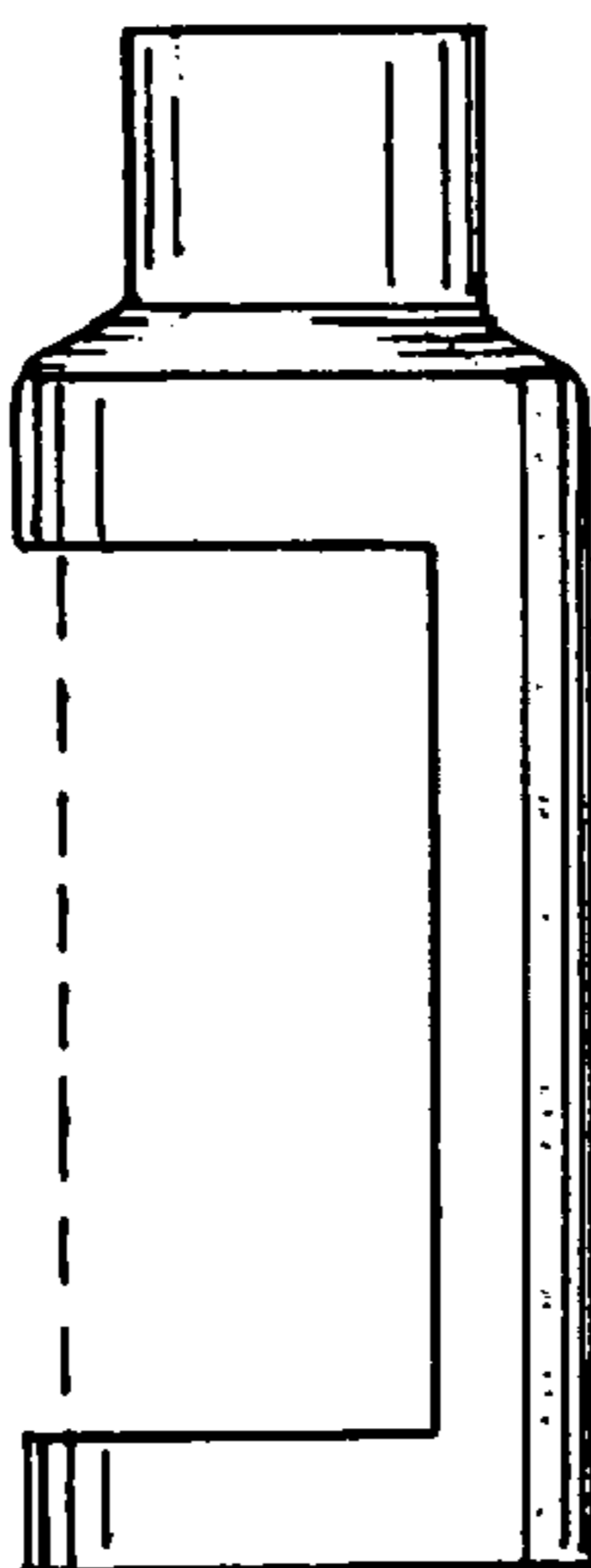


Fig. 3