



US00D632801S

(12) **United States Design Patent**
Kyle et al.

(10) **Patent No.:** **US D632,801 S**
(45) **Date of Patent:** **** Feb. 15, 2011**

(54) **FLUID CONCENTRATOR**

(75) Inventors: **Matthew R. Kyle**, Wayzata, MN (US);
Timothy A. Bachman, Saint Paul, MN (US)

(73) Assignee: **Circle Biologics, LLC.**, Minneapolis, MN (US)

(**) Term: **14 Years**

(21) Appl. No.: **29/337,513**

(22) Filed: **May 22, 2009**

(51) **LOC (9) Cl.** **24-01**

(52) **U.S. Cl.** **D24/219**

(58) **Field of Classification Search** D24/164,
D24/167, 107, 165, 169, 186, 108, 224, 232,
D24/219, 217, 22; 210/360.1, 360.2, 378,
210/321.79, 500.23, 781, 782; 422/10, 12,
422/16, 20, 60, 72, 64

See application file for complete search history.

(56) **References Cited**

U.S. PATENT DOCUMENTS

3,669,879	A	6/1972	Berriman	
4,230,564	A	10/1980	Keefe	
4,282,180	A *	8/1981	Raible D24/169
D290,875	S *	7/1987	Badolato et al. D24/169
4,886,597	A	12/1989	Wild et al.	
D320,661	S *	10/1991	Sone D24/169
5,165,938	A	11/1992	Knighton	
5,230,862	A *	7/1993	Berry et al. 210/321.79
5,234,663	A *	8/1993	Jones et al. 210/321.79
D351,909	S *	10/1994	Nogawa et al. D24/169
D370,263	S *	5/1996	Falkenberg et al. D24/224
5,733,545	A	3/1998	Hood, III	
5,891,347	A	4/1999	Matsumoto	
D417,634	S *	12/1999	Aebi et al. D24/232
6,010,627	A	1/2000	Hood, III	
6,027,655	A	2/2000	Holm	
6,106,727	A	8/2000	Krasnoff et al.	
6,132,613	A	10/2000	Hopkin et al.	
6,342,157	B1	1/2002	Hood, III	

6,524,568	B2	2/2003	Worden	
D483,490	S *	12/2003	Ghidoli D24/169
D490,527	S *	5/2004	Ijiri D24/169
D527,106	S *	8/2006	Baker et al. D24/164
D539,899	S *	4/2007	Kataoka D24/108

(Continued)

OTHER PUBLICATIONS

Cell Factor Technologies, Inc., 2004, GPS Platelet Concentration System, 10 pages.

(Continued)

Primary Examiner—David G Muller

(74) *Attorney, Agent, or Firm*—Merchant & Gould P.C.

(57) **CLAIM**

The ornamental design for a fluid concentrator, as shown.

DESCRIPTION

FIG. 1 is a perspective view of a fluid concentrator showing our new design.

FIG. 2 is a front elevation view of the fluid concentrator of FIG. 1.

FIG. 3 is a back elevation view of the fluid concentrator of FIG. 1.

FIG. 4 is a left elevation view of the fluid concentrator of FIG. 1.

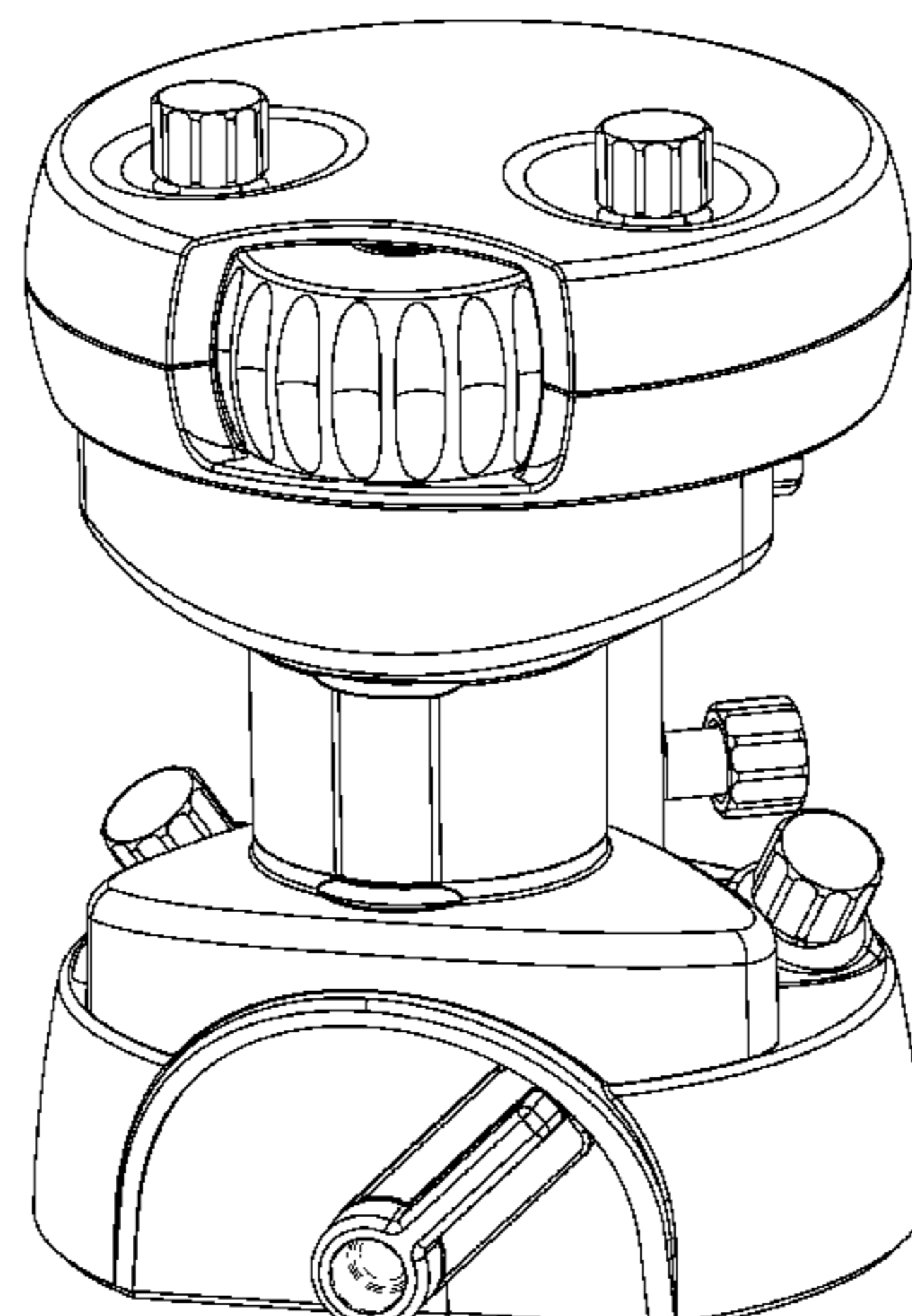
FIG. 5 is a right elevation view of the fluid concentrator of FIG. 1.

FIG. 6 is a top plan view of the fluid concentrator of FIG. 1; and,

FIG. 7 is a bottom plan view of the fluid concentrator of FIG. 1.

The broken lines depict portions of the fluid concentrator that form no part of the claimed design.

1 Claim, 7 Drawing Sheets



US D632,801 S

Page 2

U.S. PATENT DOCUMENTS

7,354,515 B2 4/2008 Coull et al.
D603,525 S * 11/2009 Foreman et al. D24/232
2006/0060521 A1 3/2006 Harms et al.

OTHER PUBLICATIONS

Harvest Technologies Corp., 2002, Developing Technologies For Accelerating Healing, Naturally, 6 pages.

Medtronic Biologic Therapeutics & Diagnostics, 2002, Magellan Autologous Platelet Separator, 6 pages.

Osseous Technologies, Inc., Platelet Concentrate Collection System, Instructions for Use, 7 pages.

“The ABCs of Filtration and Bioprocessing for the Third Millennium”, “The ABCs of Filtration”, Spectrum Labs.Com., 2002.

* cited by examiner

FIG. 1

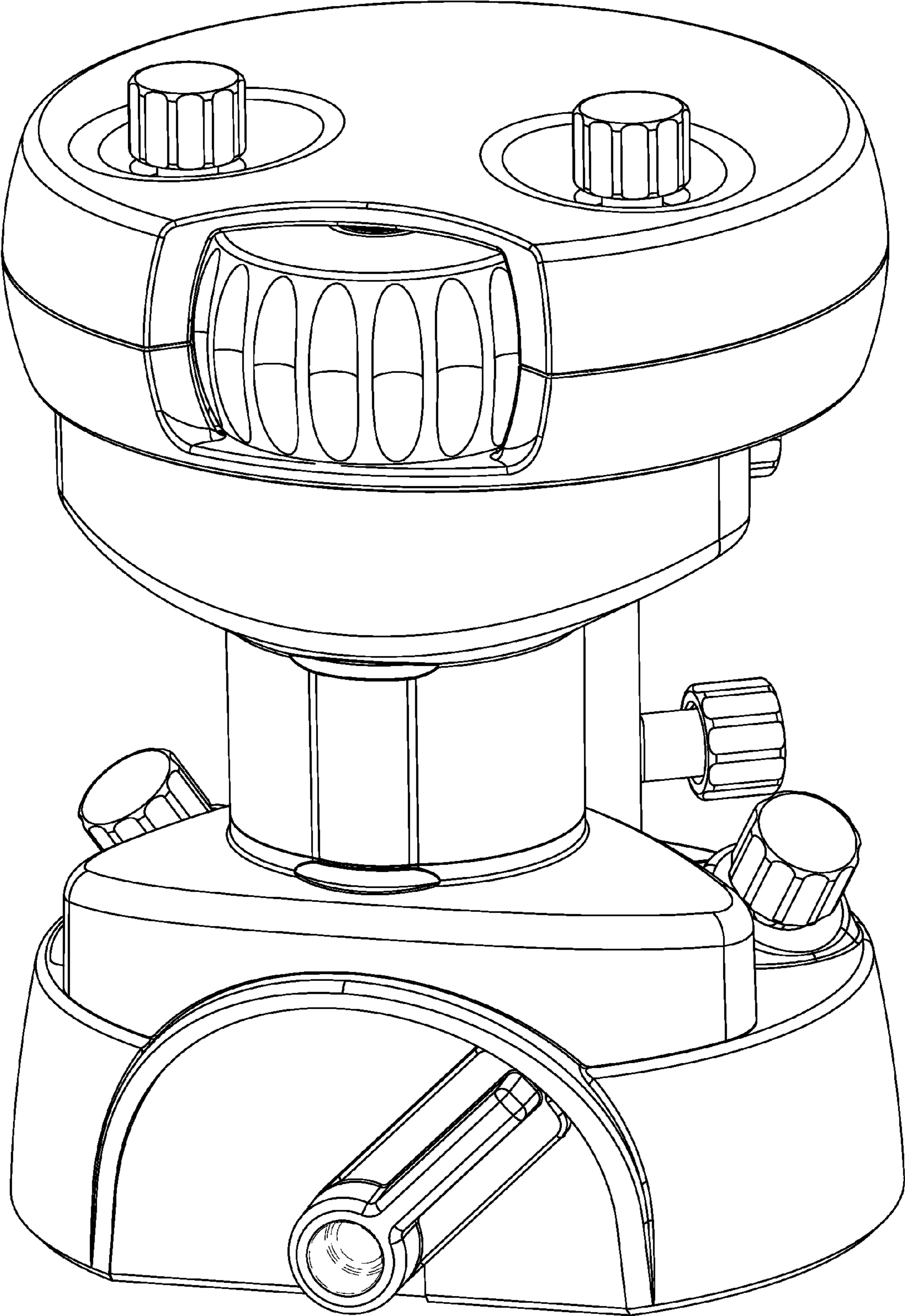


FIG. 2

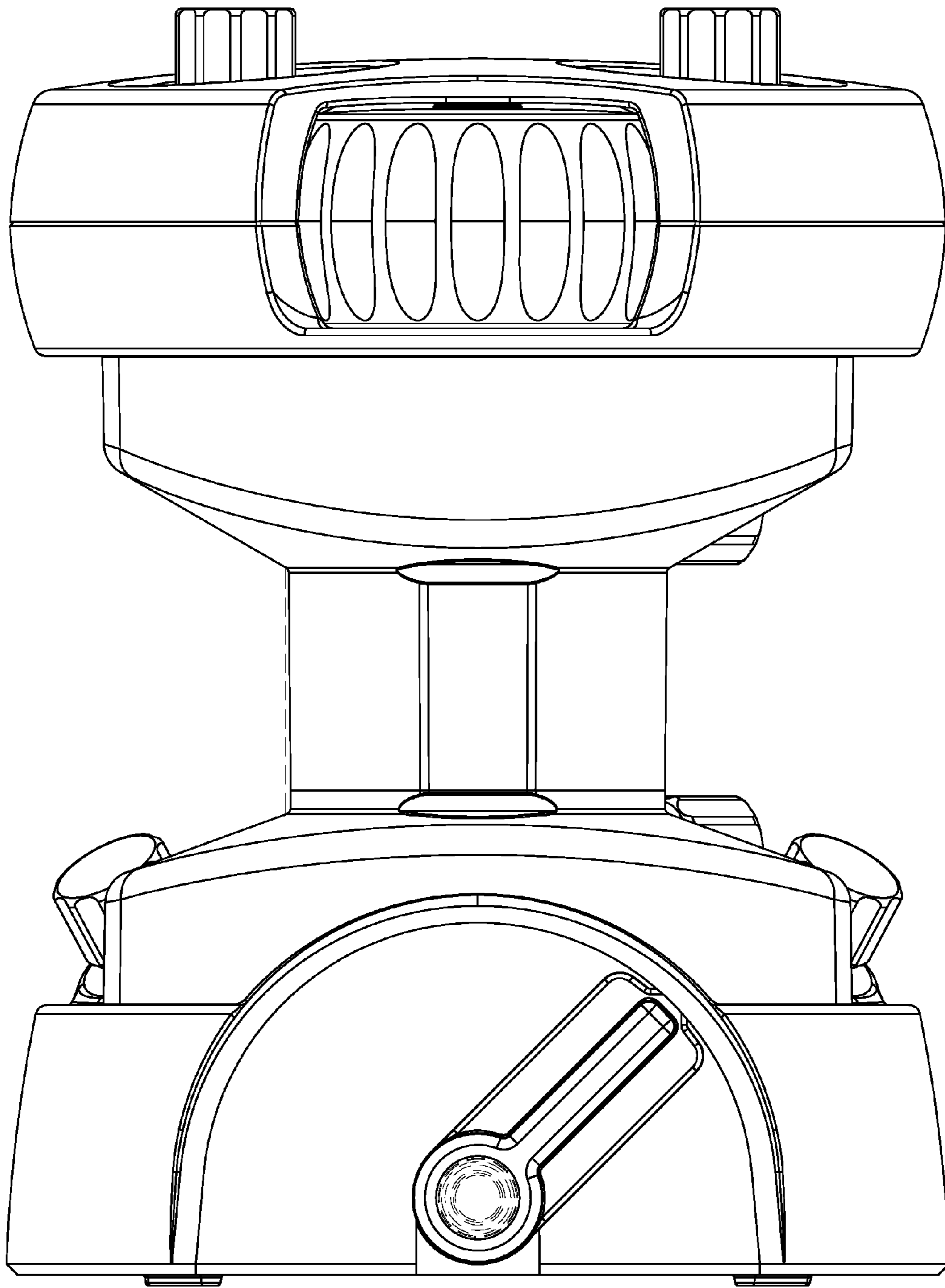


FIG. 3

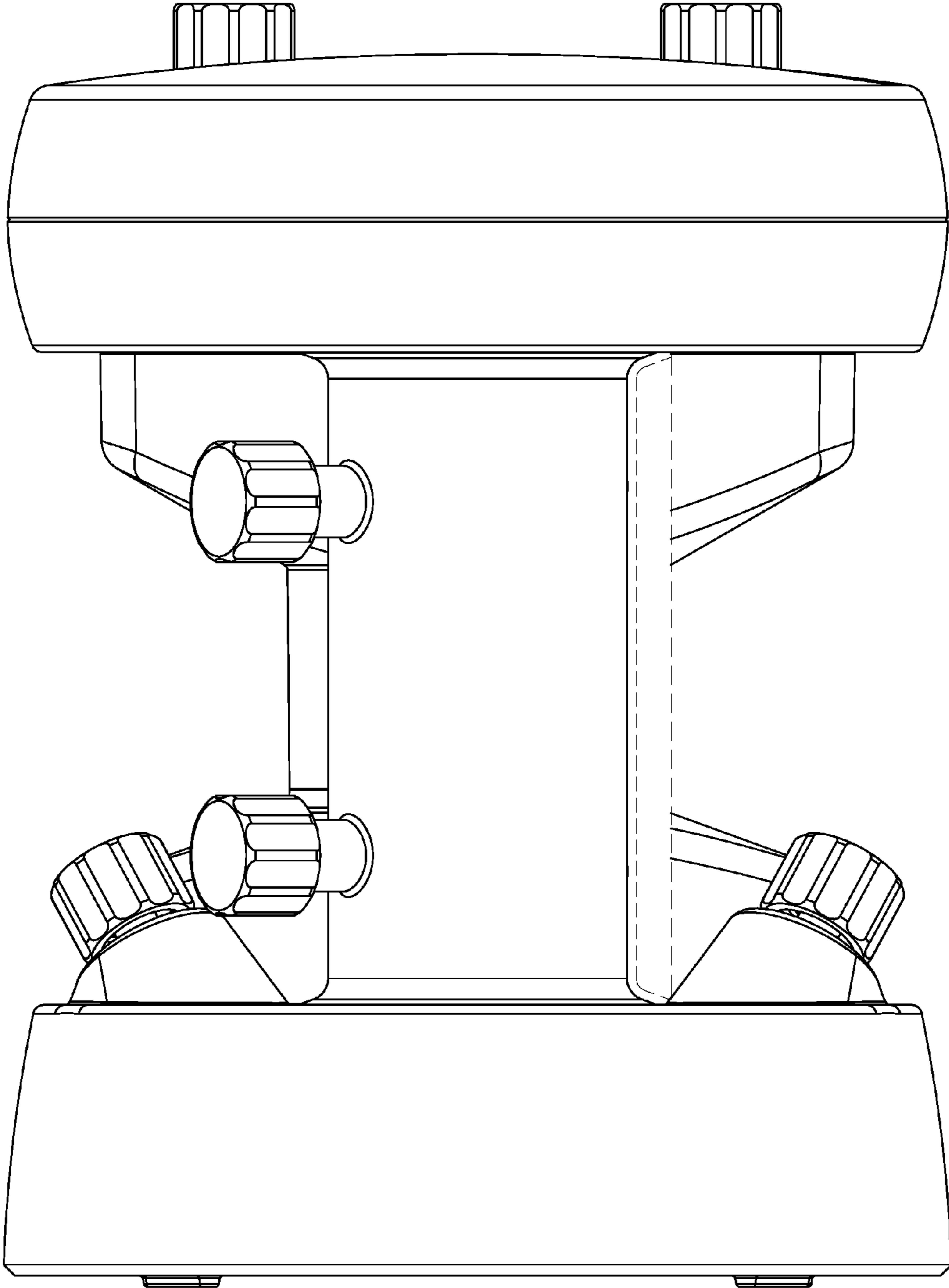


FIG. 4

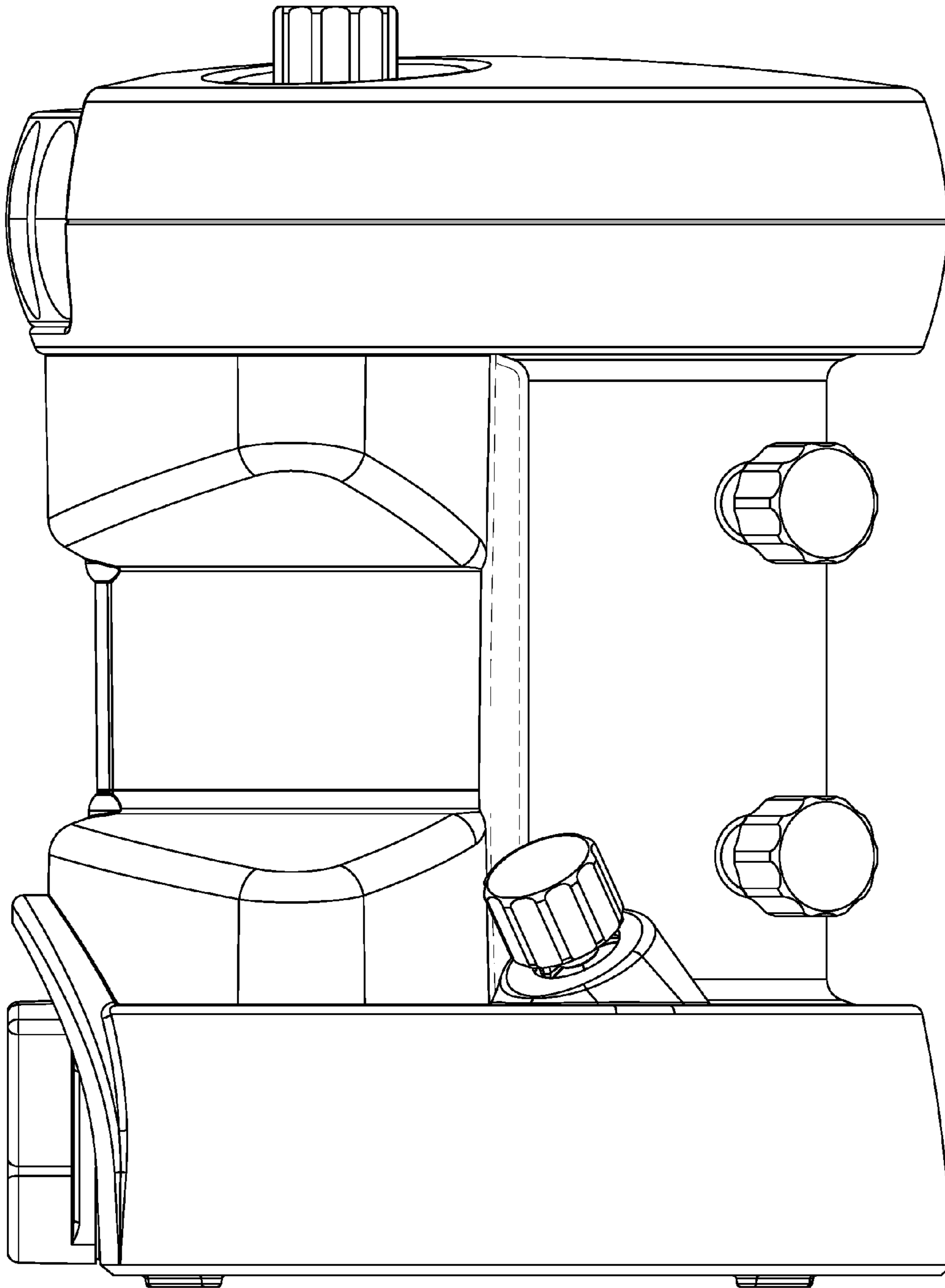


FIG. 5

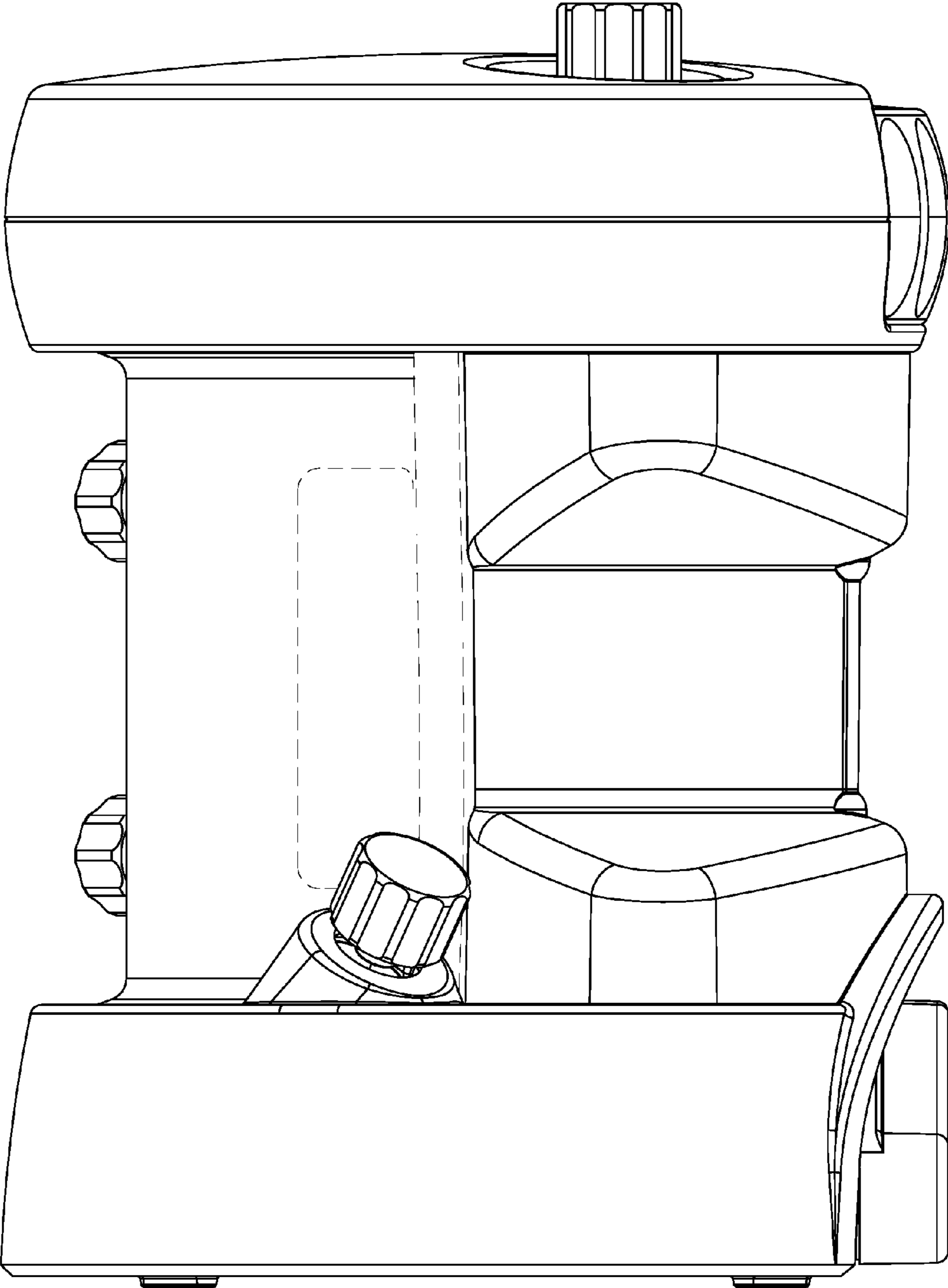


FIG. 6

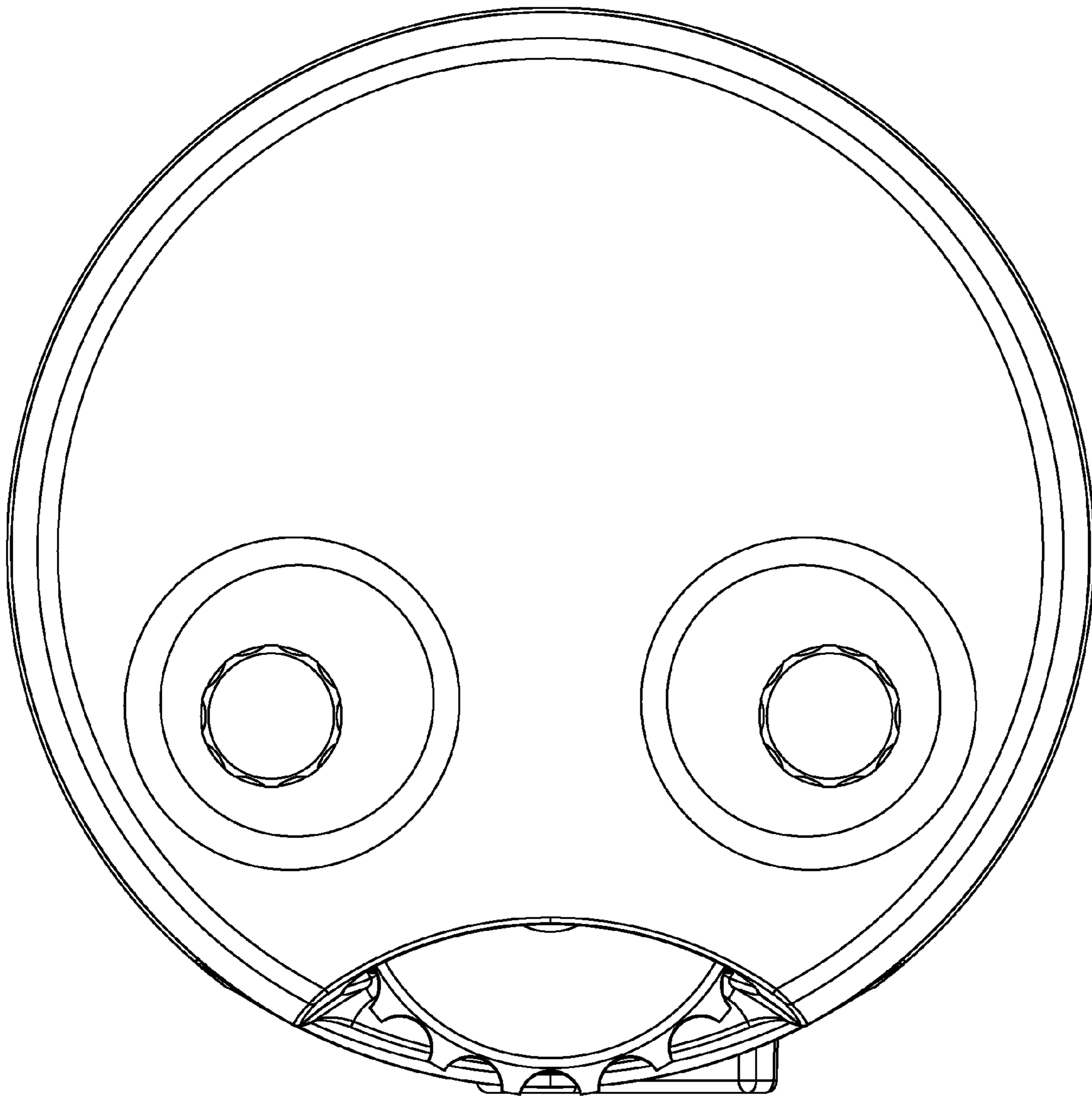


FIG. 7

