



US00D632799S

(12) **United States Design Patent**  
**Canner et al.**

(10) **Patent No.:** **US D632,799 S**

(45) **Date of Patent:** **\*\* Feb. 15, 2011**

(54) **CELL DISPENSER**

(75) Inventors: **Philip David Canner**, Cambridge (GB);  
**Paul Simon Grant**, Cambridge (GB)

(73) Assignee: **The Automation Partnership**,  
(Cambridge) Limited Hertfordshire,  
Royston (GB)

(\*\*) Term: **14 Years**

(21) Appl. No.: **29/326,465**

(22) Filed: **Oct. 18, 2008**

(30) **Foreign Application Priority Data**

May 15, 2008 (EM) ..... 0009373-0001/0004

(51) **LOC (9) Cl.** ..... **24-02**

(52) **U.S. Cl.** ..... **D24/216**

(58) **Field of Classification Search** ..... D24/108,  
D24/110.4, 121, 133, 219, 222, 224-225,  
D24/226, 232; 422/99-100, 58, 57, 102,  
422/104, 68.1; 436/180, 174, 43, 177; 204/416,  
204/409

See application file for complete search history.

(56) **References Cited**

**U.S. PATENT DOCUMENTS**

3,785,773 A \* 1/1974 Rohrbaugh ..... 422/102  
4,391,780 A \* 7/1983 Boris ..... 422/102  
4,675,299 A \* 6/1987 Witty et al. .... 436/165  
D367,714 S \* 3/1996 Pennicook ..... D24/223  
D373,633 S \* 9/1996 La Motte ..... D24/133

6,086,827 A \* 7/2000 Horner et al. .... 422/102  
D439,673 S \* 3/2001 Brophy et al. .... D24/226  
6,517,783 B2 \* 2/2003 Horner et al. .... 422/102  
D513,075 S \* 12/2005 Kokaisel ..... D24/216  
D608,013 S \* 1/2010 Coulling et al. .... D24/224  
D618,820 S \* 6/2010 Wilson et al. .... D24/227  
D625,429 S \* 10/2010 Link et al. .... D24/222  
2009/0274587 A1 \* 11/2009 Butz et al. .... 422/100

\* cited by examiner

*Primary Examiner*—Elizabeth A Albert

*Assistant Examiner*—Kelley A Donnelly

(57) **CLAIM**

The ornamental design for a cell dispenser, as shown and described.

**DESCRIPTION**

FIG. 1 is a top plan view of a cell dispenser according to the invention;

FIG. 2 is a right elevation view thereof;

FIG. 3 is a left elevation view of thereof;

FIG. 4 is an enlarged front elevation view of thereof;

FIG. 5 is an enlarged rear elevation view of thereof;

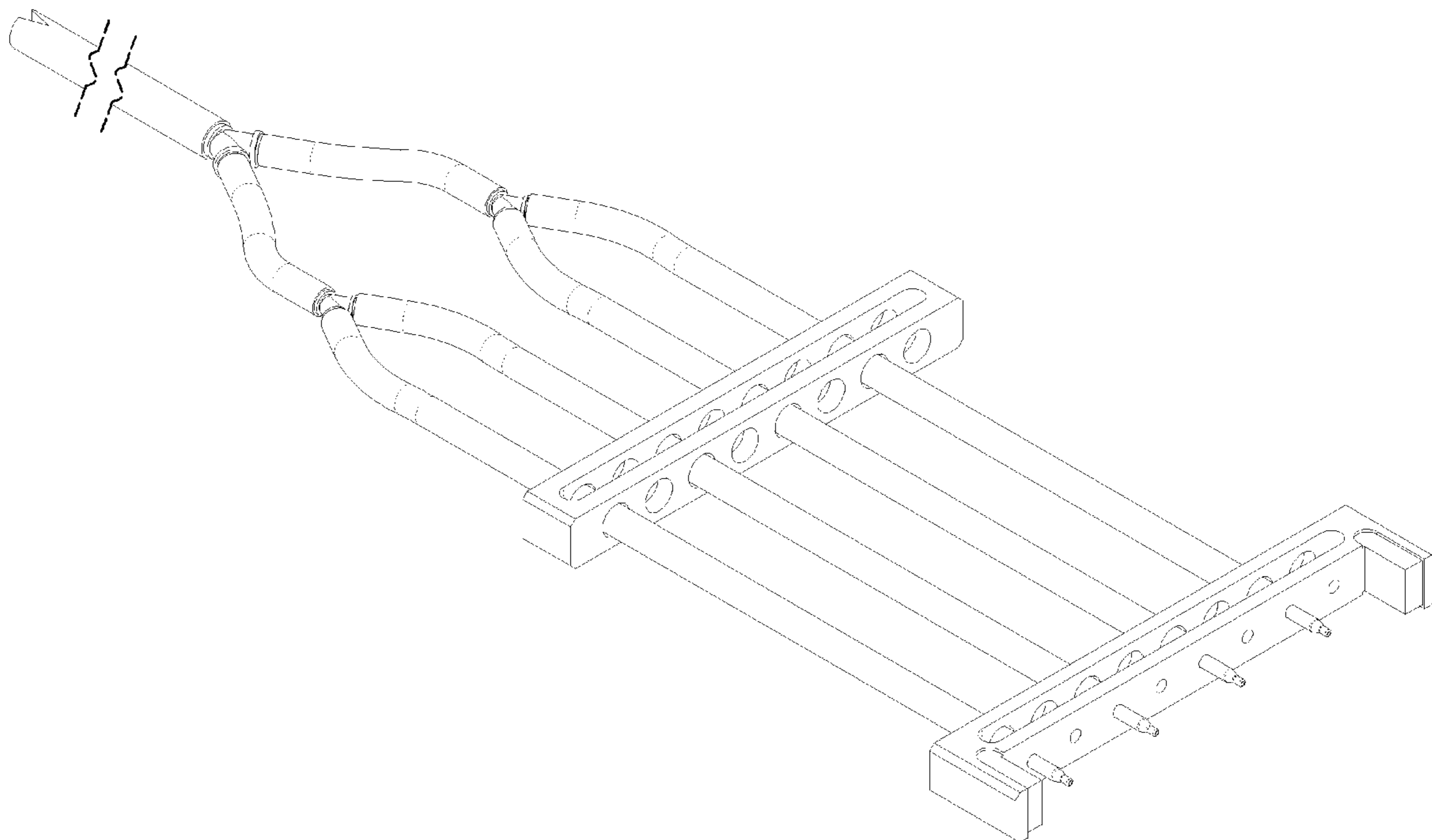
FIG. 6 is a bottom view of thereof;

FIG. 7 is a perspective upper right view of thereof; and,

FIG. 8 is a perspective lower right view of thereof.

The break lines shown in FIGS. 1, 2, 3, 6, 7, and 8 are not part of the claimed design and represent that no particular length is claimed.

**1 Claim, 8 Drawing Sheets**



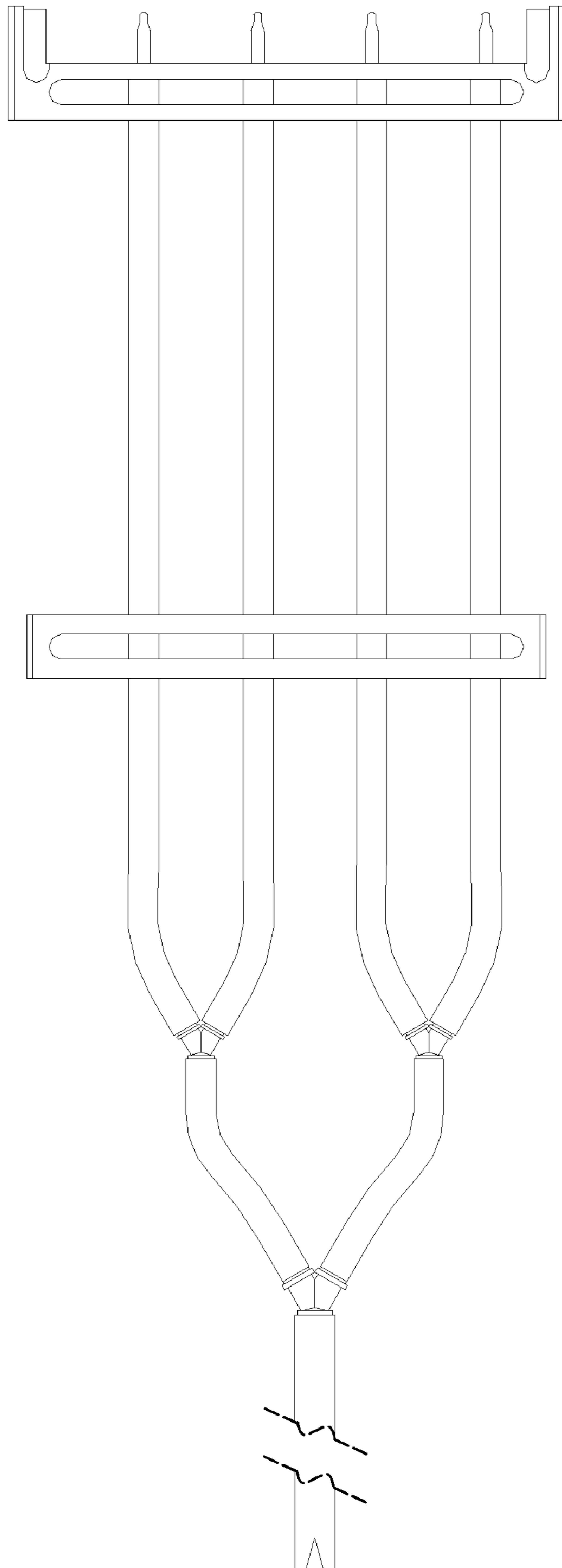


Fig. 1

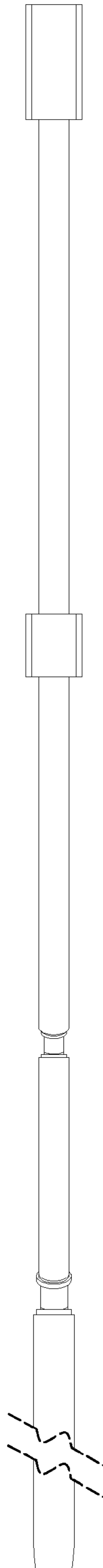


Fig. 2

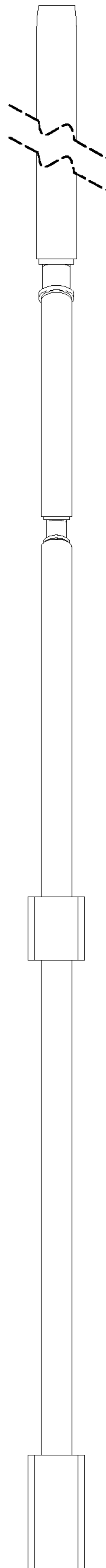


Fig. 3

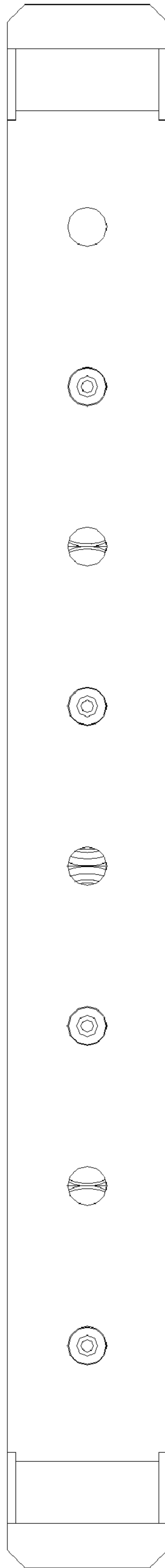


Fig. 4

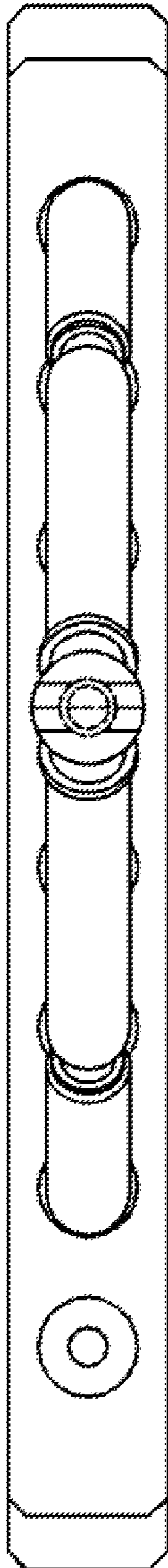


Fig. 5

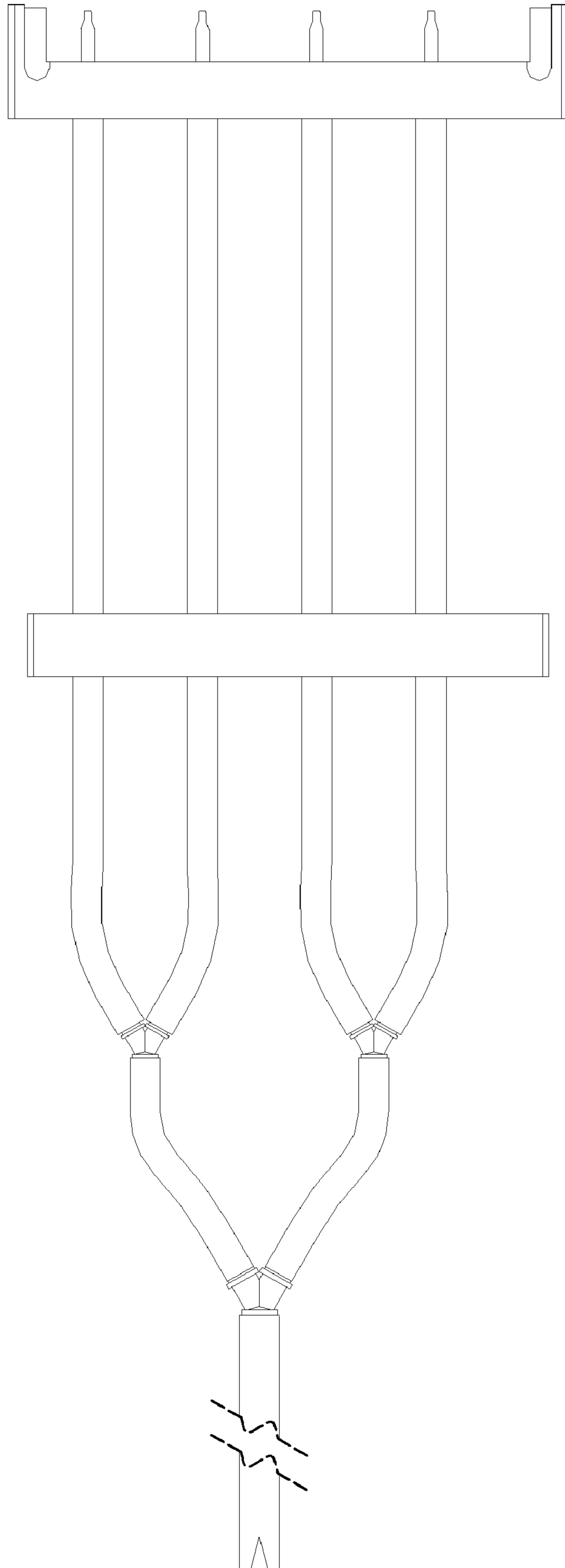


Fig. 6

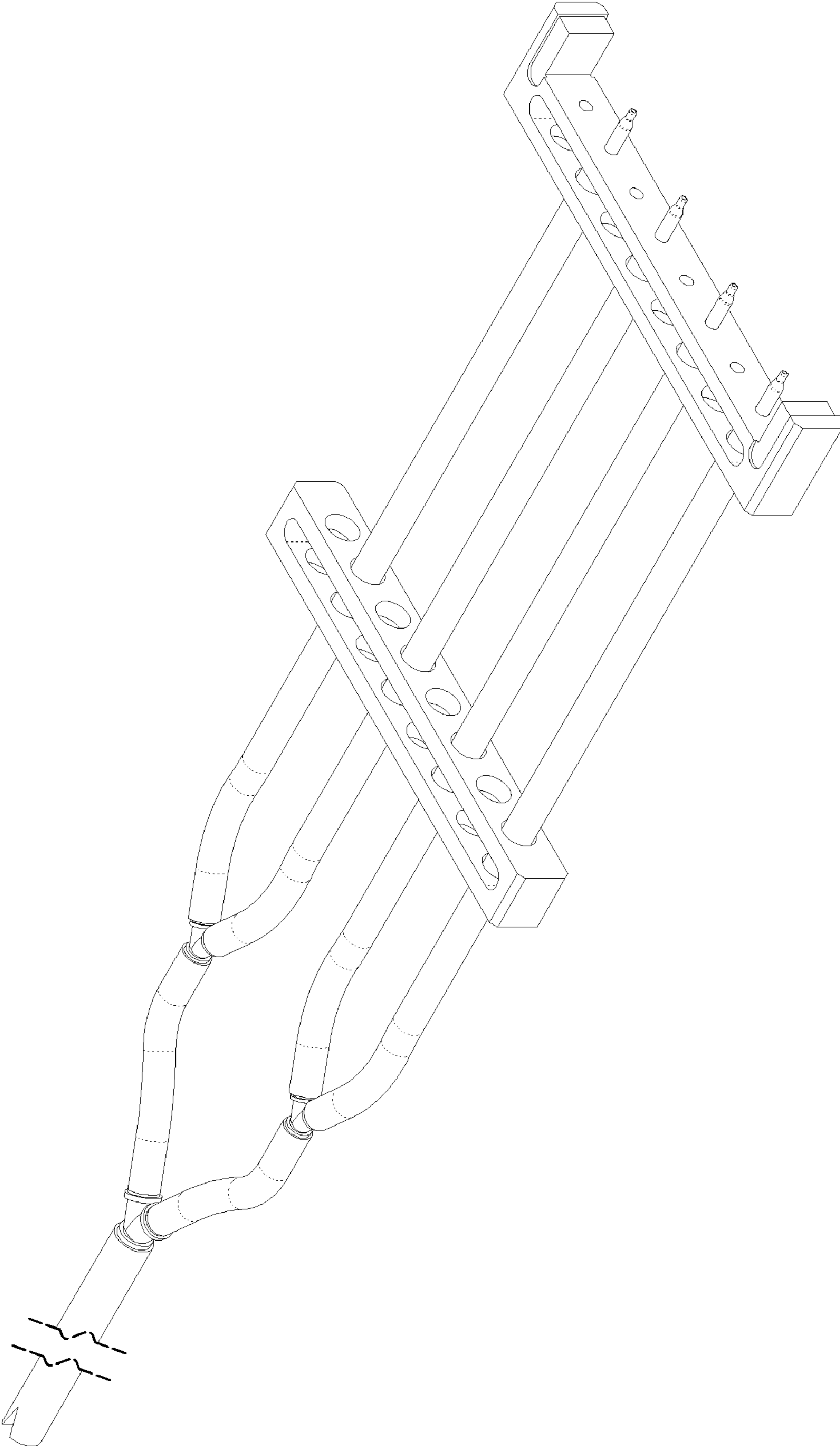


Fig. 7



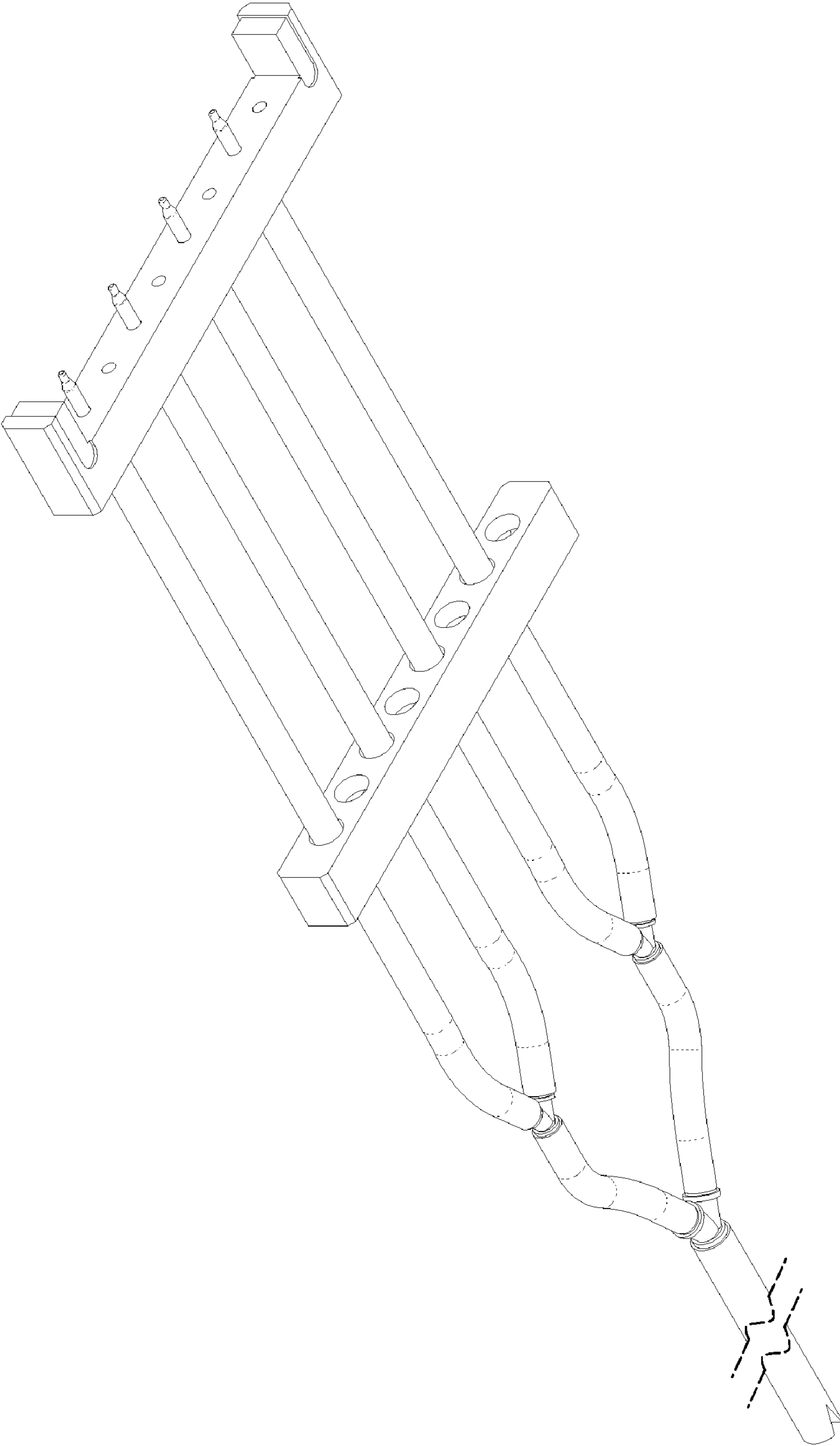


Fig. 8