



US00D632797S

(12) **United States Design Patent**
Ross et al.

(10) **Patent No.:** **US D632,797 S**
(45) **Date of Patent:** **** Feb. 15, 2011**

(54) **MEDICAL CART**
(75) Inventors: **Christopher Ross**, Del Mar, CA (US);
Richard E. Calou, San Diego, CA (US);
Colt Stander, Alvo, NE (US); **Christian**
J. Stefanovitz, West Bend, WI (US)
(73) Assignee: **Nellcor Puritan Bennett LLC**, Boulder,
CO (US)
(**) Term: **14 Years**
(21) Appl. No.: **29/329,341**
(22) Filed: **Dec. 12, 2008**

D534,746 S 1/2007 Rossini et al. D6/495
D535,509 S 1/2007 Rossini et al. D6/511
D539,794 S 4/2007 Rossini et al. D14/302
D540,949 S * 4/2007 Sundstrom D24/183
D544,962 S 6/2007 Diener et al. D24/186
D548,918 S 8/2007 Nussberger D34/17
7,352,570 B2 4/2008 Smith et al. 361/679.41
D588,829 S * 3/2009 Rheault et al. D6/406.1
7,540,243 B2 * 6/2009 George et al. 108/50.01
7,594,668 B2 9/2009 Arceta et al. 280/47.35
2005/0288571 A1 12/2005 Perkins et al. 600/407
2007/0228680 A1 * 10/2007 Reppert et al. 280/47.35
2008/0055826 A1 3/2008 Smith et al. 361/679.23

(51) **LOC (9) Cl.** **24-01**
(52) **U.S. Cl.** **D24/185**
(58) **Field of Classification Search** D24/158,
D24/160, 170, 183-185, 231; 280/47.35,
280/79.3, 79.11, 187.01; D6/406.1; D13/163;
D34/14, 17, 19, 21, 23; 108/50.01; 312/209
See application file for complete search history.

(56) **References Cited**

U.S. PATENT DOCUMENTS

5,170,804 A 12/1992 Glassman 128/849
D347,896 S * 6/1994 Dickinson et al. D24/185
D368,521 S * 4/1996 Asai et al. D24/160
5,518,310 A 5/1996 Ellman et al. 312/249.12
5,662,396 A * 9/1997 Reeder et al. 312/209
D423,671 S * 4/2000 Garito et al. D24/185
D447,567 S 9/2001 Murphy et al. D24/172
D459,477 S 6/2002 Stocks et al. D24/164
D477,083 S * 7/2003 Bromley D24/170
6,626,445 B2 9/2003 Murphy et al. 280/47.34
6,669,639 B1 12/2003 Miller et al. 600/443
D486,915 S * 2/2004 Warschewske et al. D24/185
D492,856 S 7/2004 Rossini et al. D6/426
D492,997 S * 7/2004 DiStasio D24/158
D493,042 S 7/2004 Rossini et al. D6/426
D493,977 S 8/2004 Rossini et al. D6/426
D500,575 S 1/2005 Lucas D34/12
6,980,419 B2 12/2005 Smith et al. 361/679.41
D518,267 S 3/2006 Arceta D34/14

(Continued)

Primary Examiner—Mary Ann Calabrese

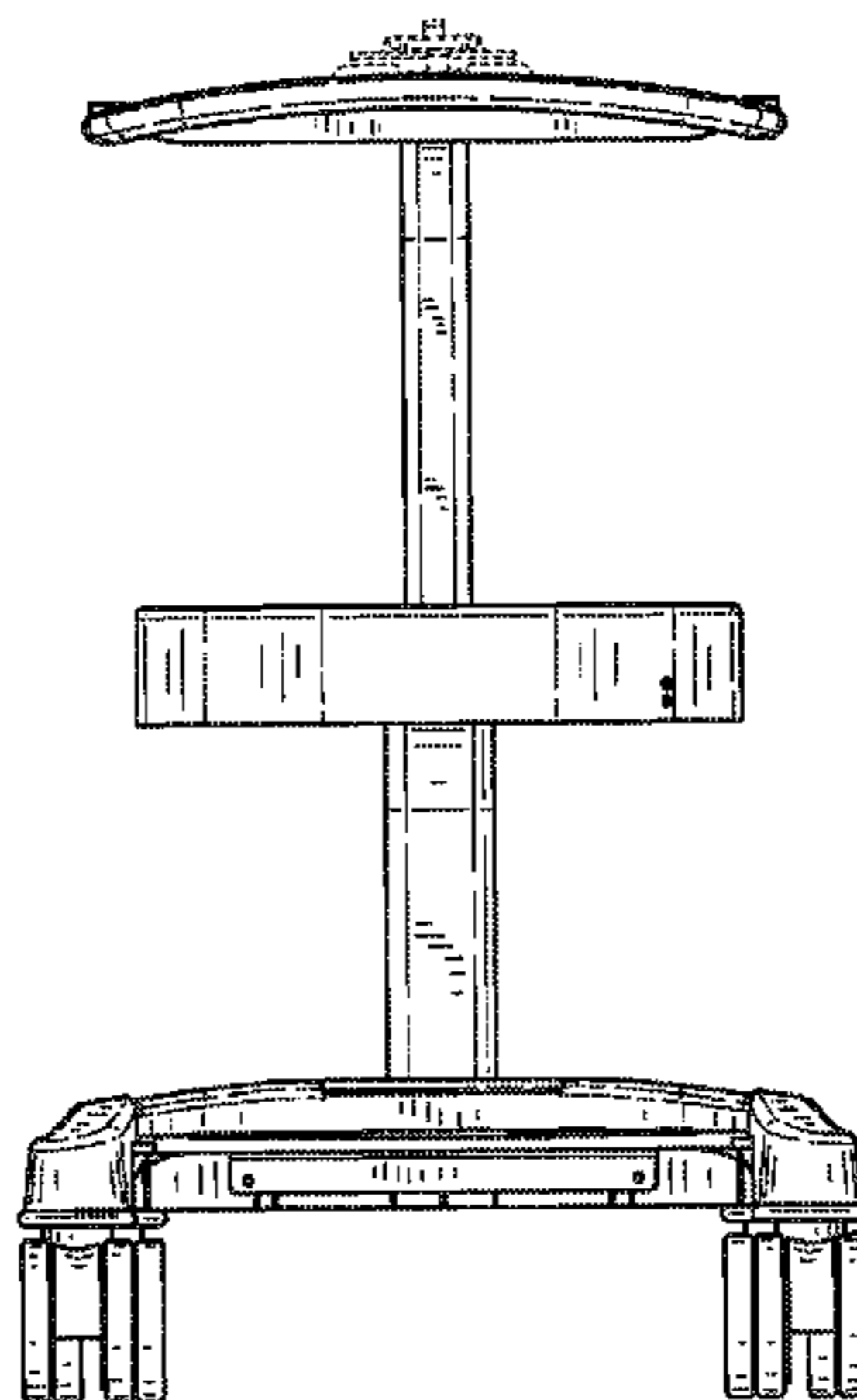
(57) **CLAIM**

The ornamental design for a medical cart, as shown and described.

DESCRIPTION

FIG. 1 is a front elevational view of a medical cart according to the present invention;
FIG. 2 is a rear elevational view of the medical cart shown in FIG. 1;
FIG. 3 is a top plan view of the medical cart shown in FIG. 1;
FIG. 4 is a bottom plan view of the medical cart shown in FIG. 1;
FIG. 5 is a right side elevational view of the medical cart shown in FIG. 1; and,
FIG. 6 is a left side elevational view of the medical cart shown in FIG. 1.
The features shown in broken lines form no part of the claimed design.

1 Claim, 6 Drawing Sheets



US D632,797 S

Page 2

U.S. PATENT DOCUMENTS	2009/0212670 A1*	8/2009	Bustle et al.	312/209
2009/0015116 A1*	1/2009	Arceta et al.	312/209	
2009/0212518 A1*	8/2009	Bustle et al.	280/47.35	* cited by examiner

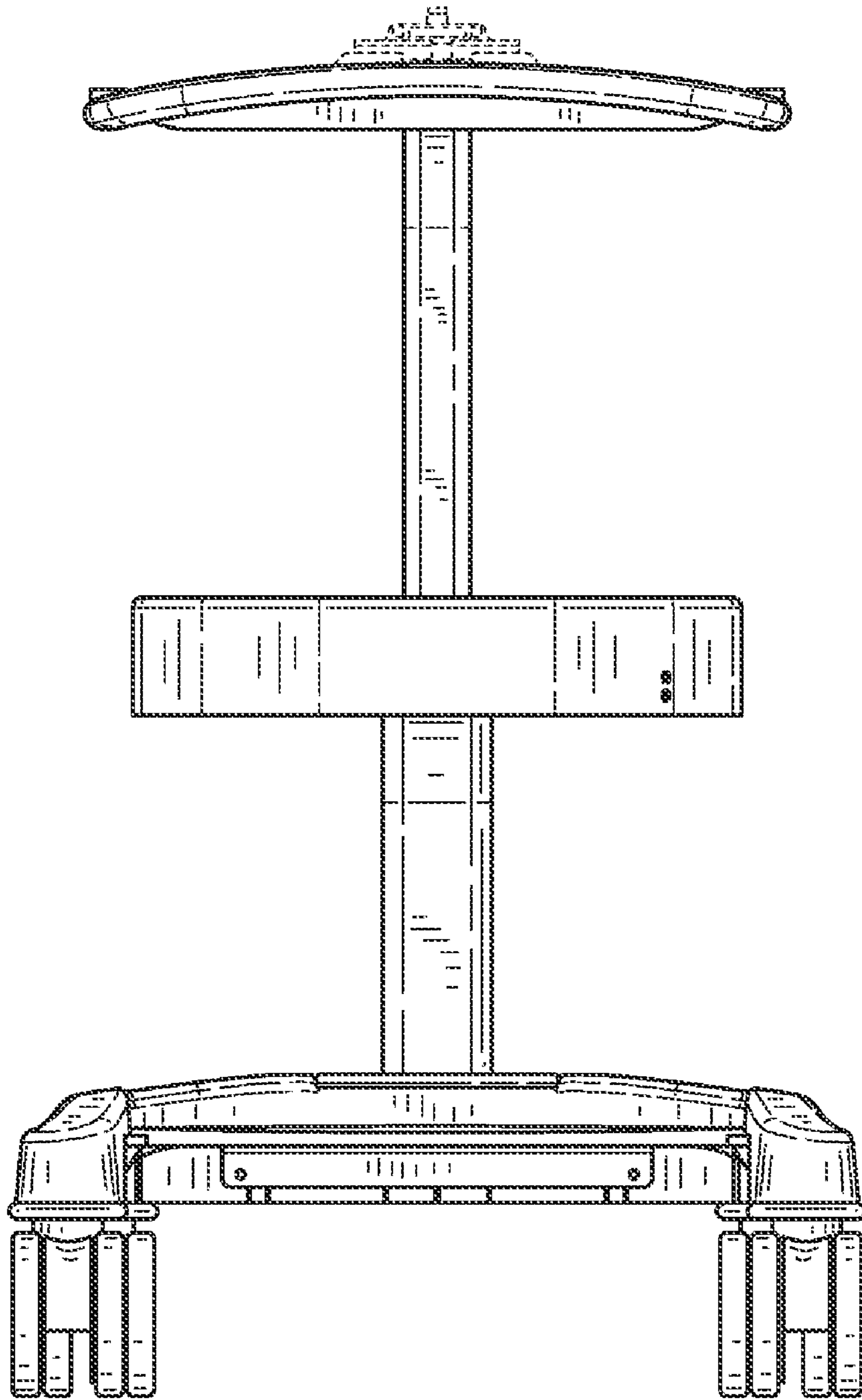


FIG. 1

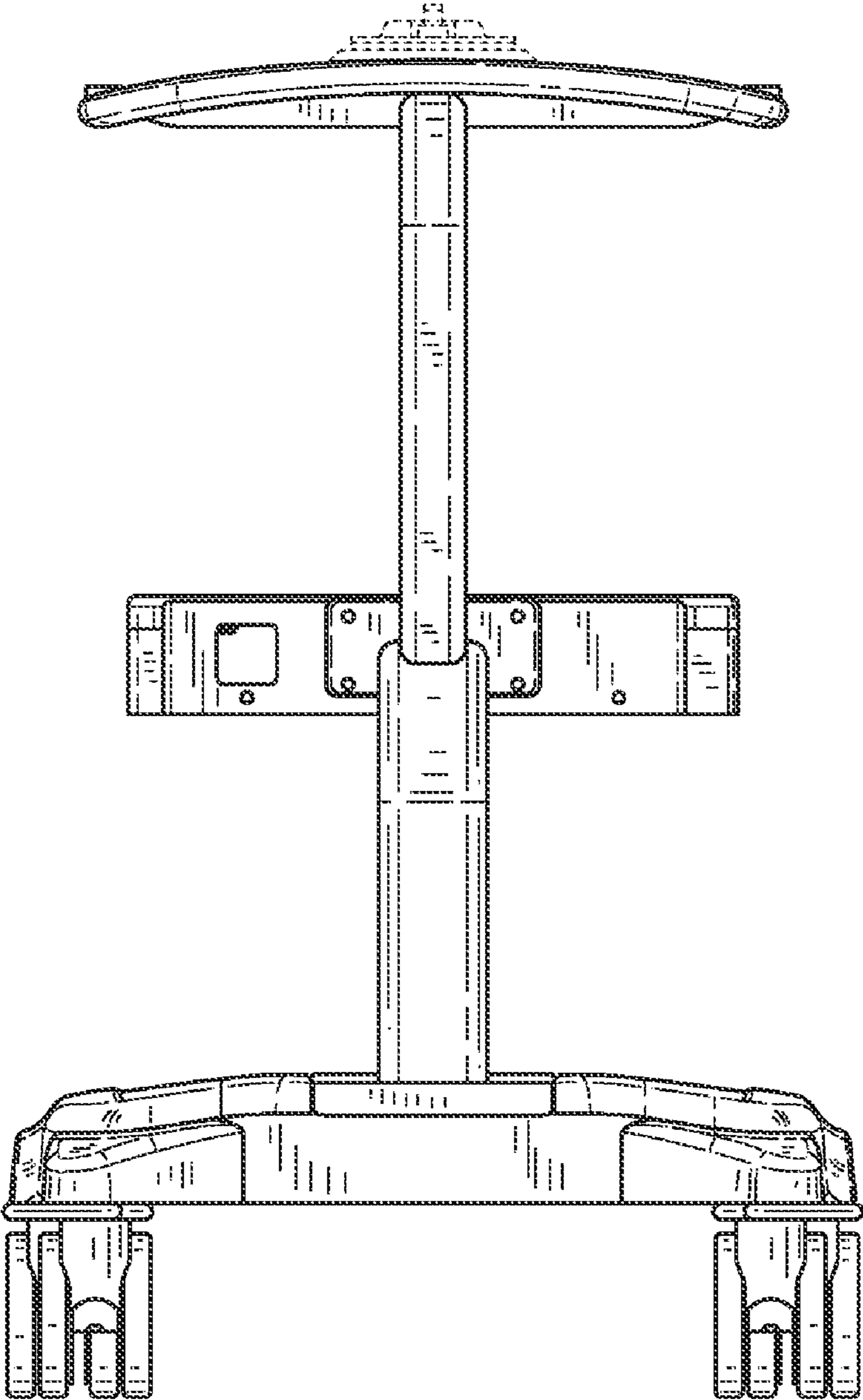


FIG.2

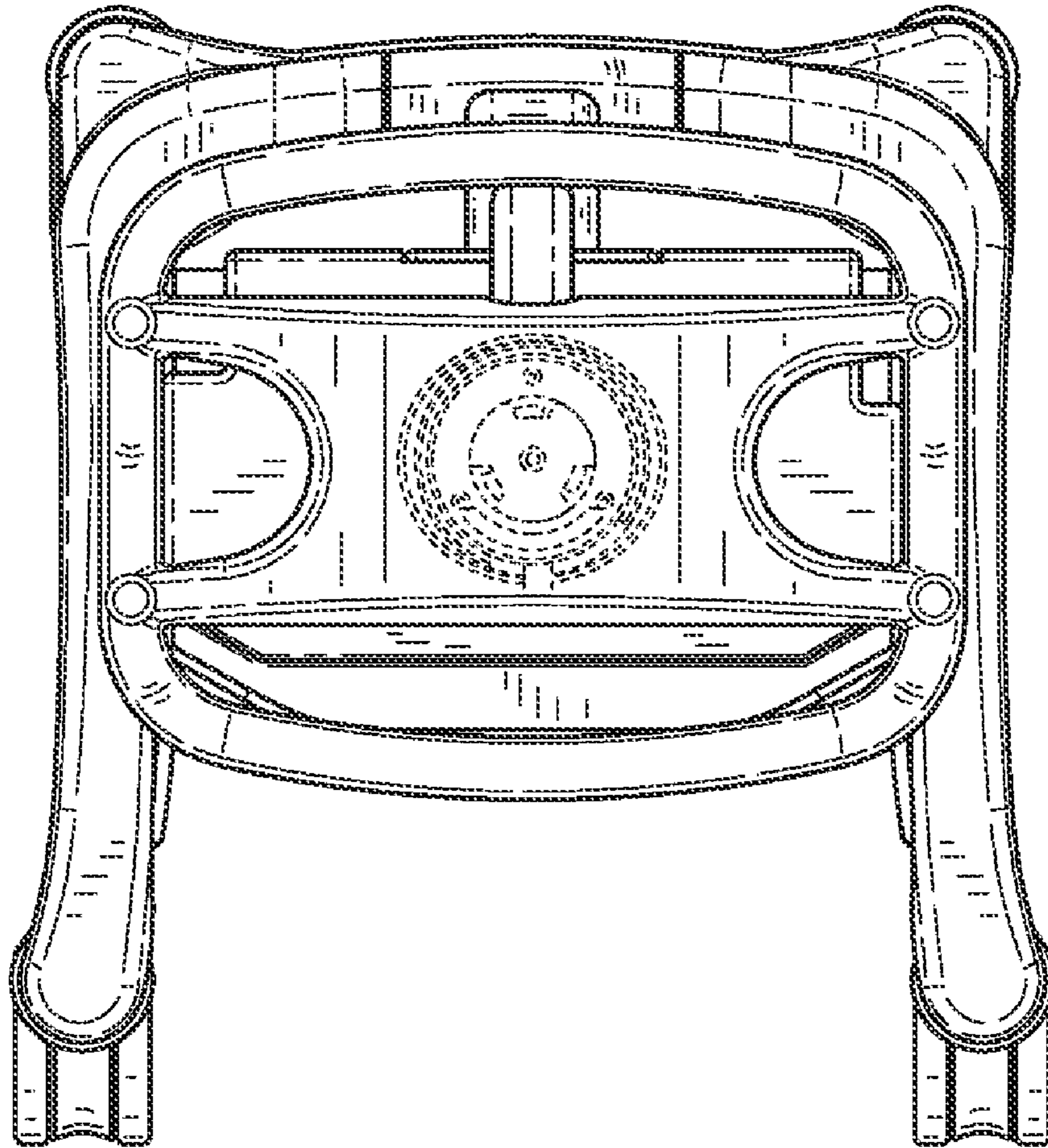


FIG. 3

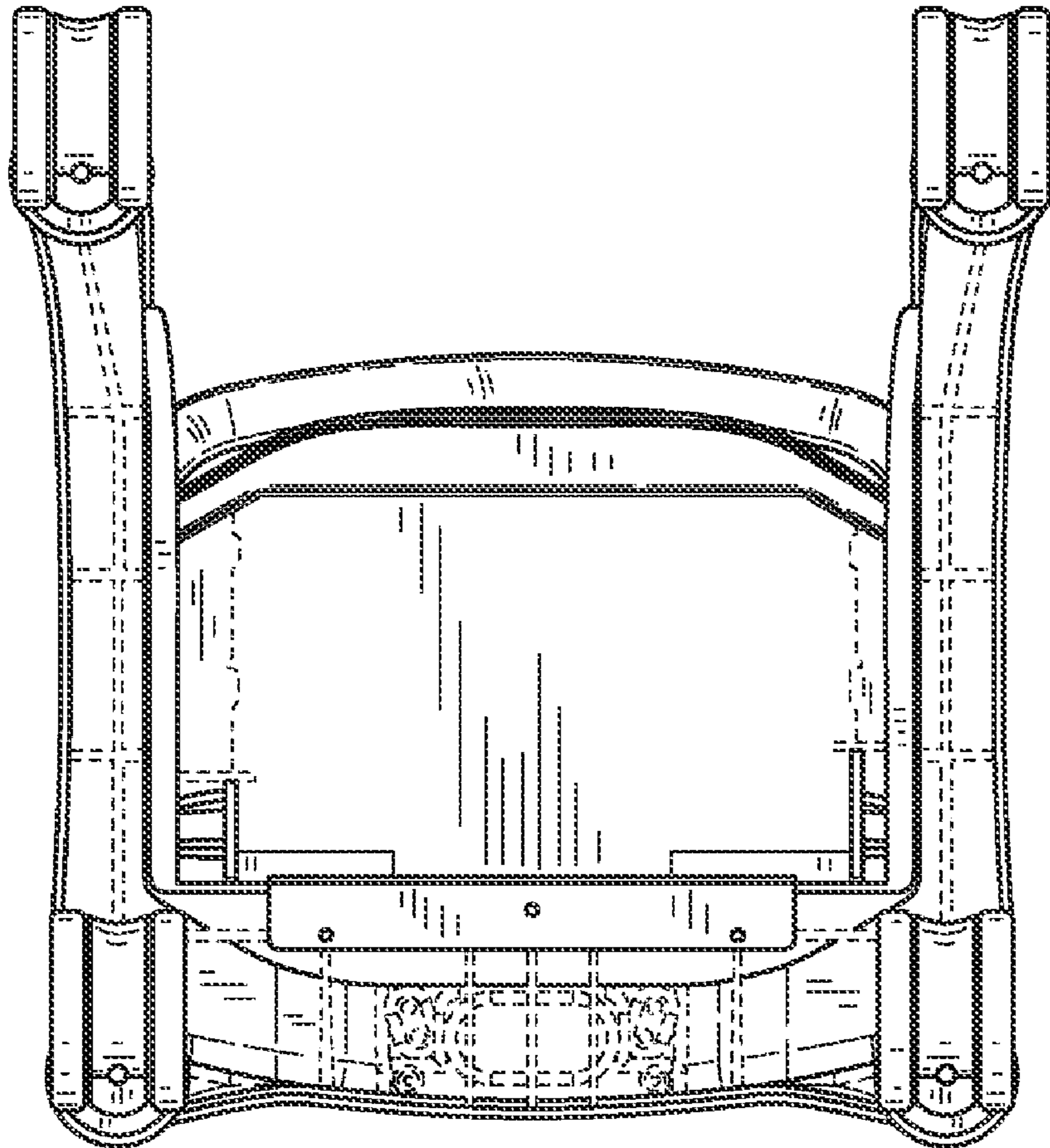


FIG. 4

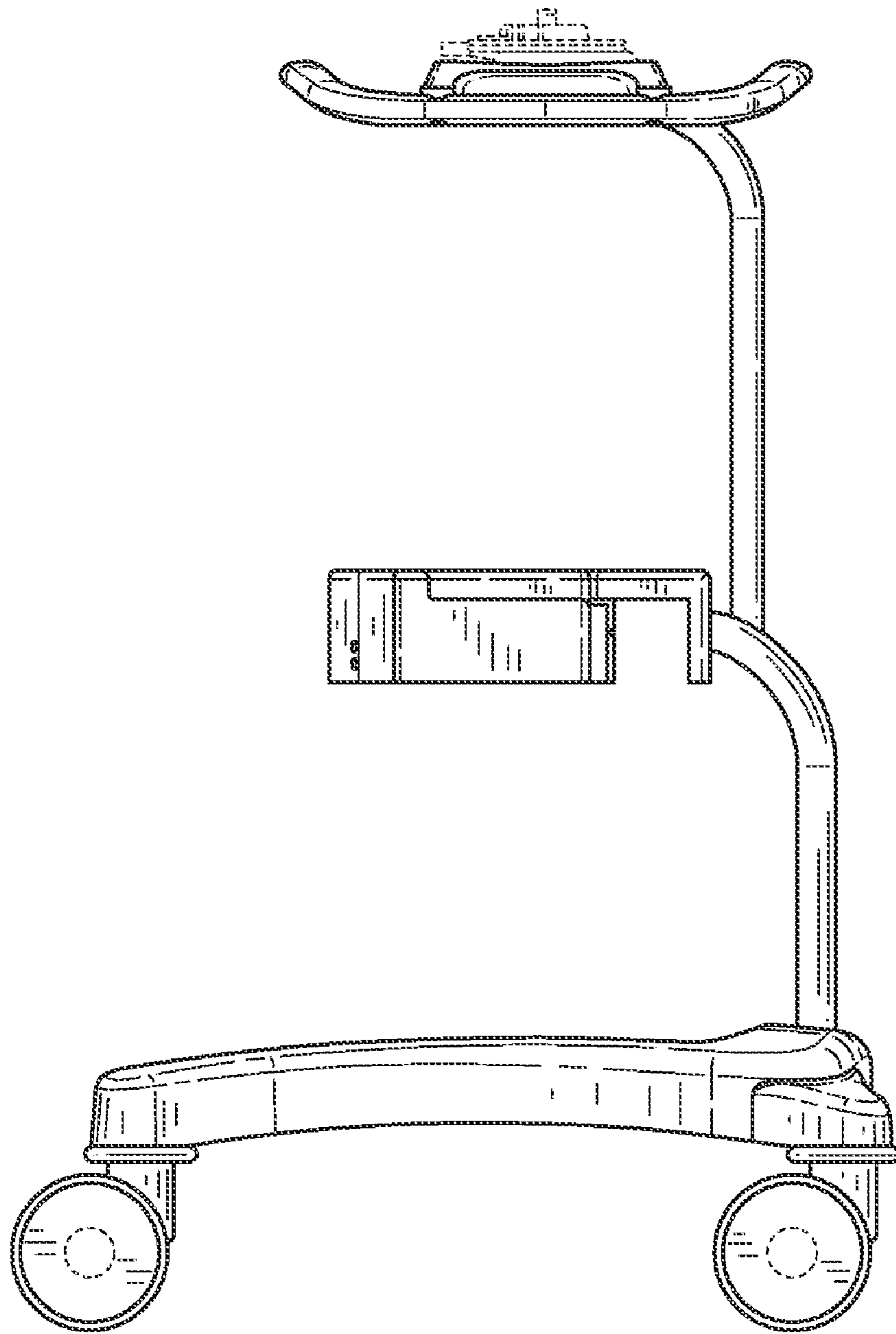


FIG. 5

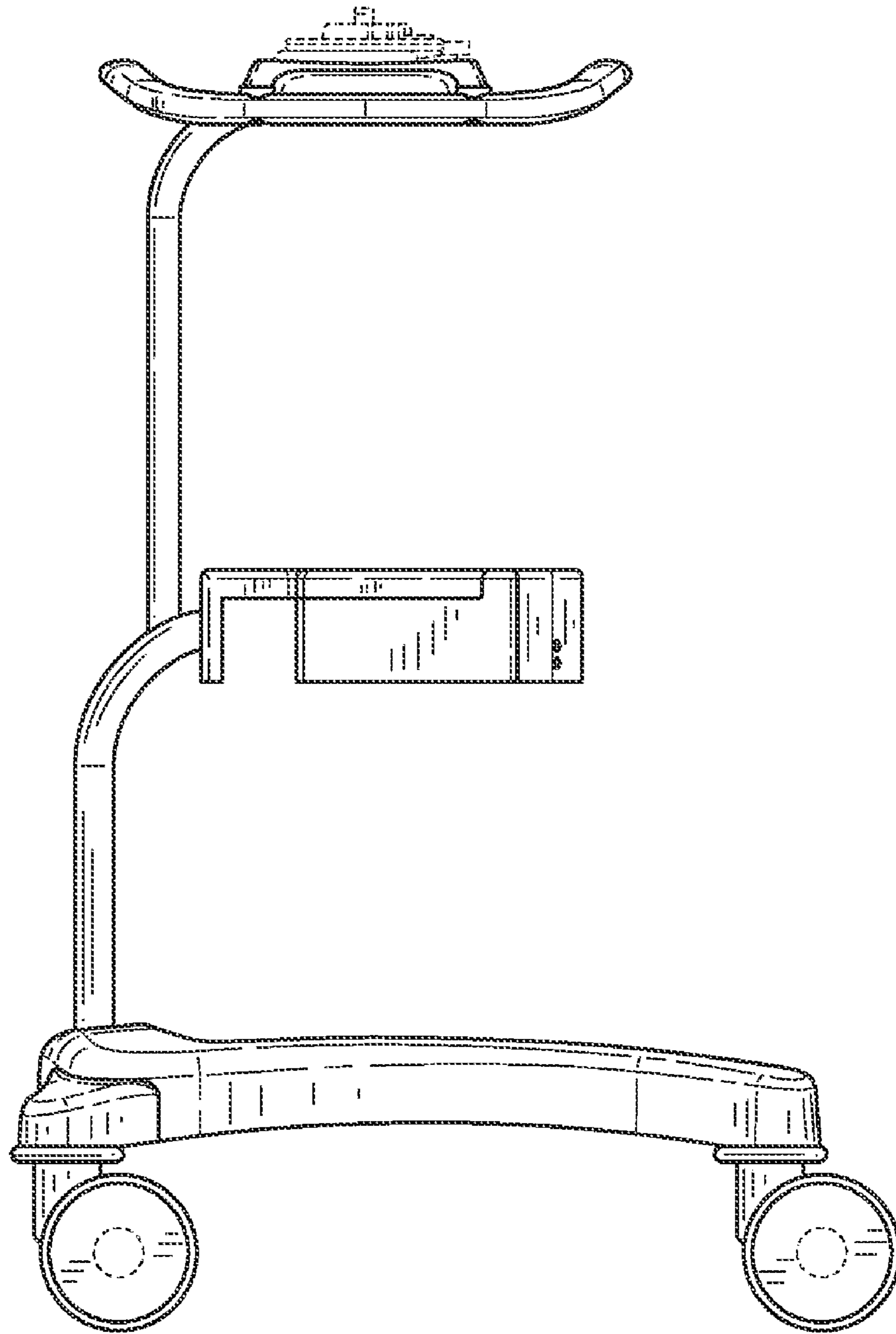


FIG. 6