



US00D632795S

(12) **United States Design Patent**  
**Matrunola**

(10) **Patent No.:** **US D632,795 S**

(45) **Date of Patent:** **\*\* Feb. 15, 2011**

(54) **EMBALMING TABLE**

(76) **Inventor:** **Frank A. Matrunola**, 12115 Knotty  
Pine Loop, San Antonio, FL (US) 33576

(\*\*) **Term:** **14 Years**

(21) **Appl. No.:** **29/360,928**

(22) **Filed:** **May 3, 2010**

(51) **LOC (9) Cl.** ..... **24-02**

(52) **U.S. Cl.** ..... **D24/183**

(58) **Field of Classification Search** ..... D24/183-184,  
D24/190; D12/133, 128; D6/360-366, 367,  
D6/392; 5/600, 607-614, 617-619, 625-628,  
5/606, 601; 128/869, 870; 27/28, 21.1

See application file for complete search history.

(56) **References Cited**

**U.S. PATENT DOCUMENTS**

1,690,451	A *	11/1928	Leonard	.....	5/606
1,746,950	A *	2/1930	Leonard	.....	27/28
D138,493	S *	8/1944	Meeker	.....	D24/183
D202,541	S *	10/1965	Cromley	.....	D6/392
D248,966	S *	8/1978	Johansson	.....	D24/183
4,193,148	A *	3/1980	Rush	.....	5/601
D335,001	S *	4/1993	Drake	.....	D24/183
D439,670	S *	3/2001	Sommer	.....	D24/183
D460,558	S *	7/2002	Cook	.....	D24/183
D473,312	S *	4/2003	Cook	.....	D24/183
7,073,464	B2 *	7/2006	Keil	.....	5/611
D552,738	S *	10/2007	Helfet	.....	D24/183
D554,261	S *	10/2007	Meoli et al.	.....	D24/183
D554,758	S *	11/2007	Hennessy	.....	D24/183

\* cited by examiner

*Primary Examiner*—T. Chase Nelson

*Assistant Examiner*—Mark Cavanna

(74) *Attorney, Agent, or Firm*—Ober, Kaler, Grimes &  
Shriver; Royal W. Craig

(57) **CLAIM**

The ornamental design for embalming table, as shown and described.

**DESCRIPTION**

FIG. 1 is a left side perspective view of an embalming table according to my new design.

FIG. 2 is a right side view of the embalming table as in FIG. 1;

FIG. 3 is a left side view of the embalming table as in FIGS. 1-2;

FIG. 4 is a top view of the embalming table as in FIGS. 1-3.

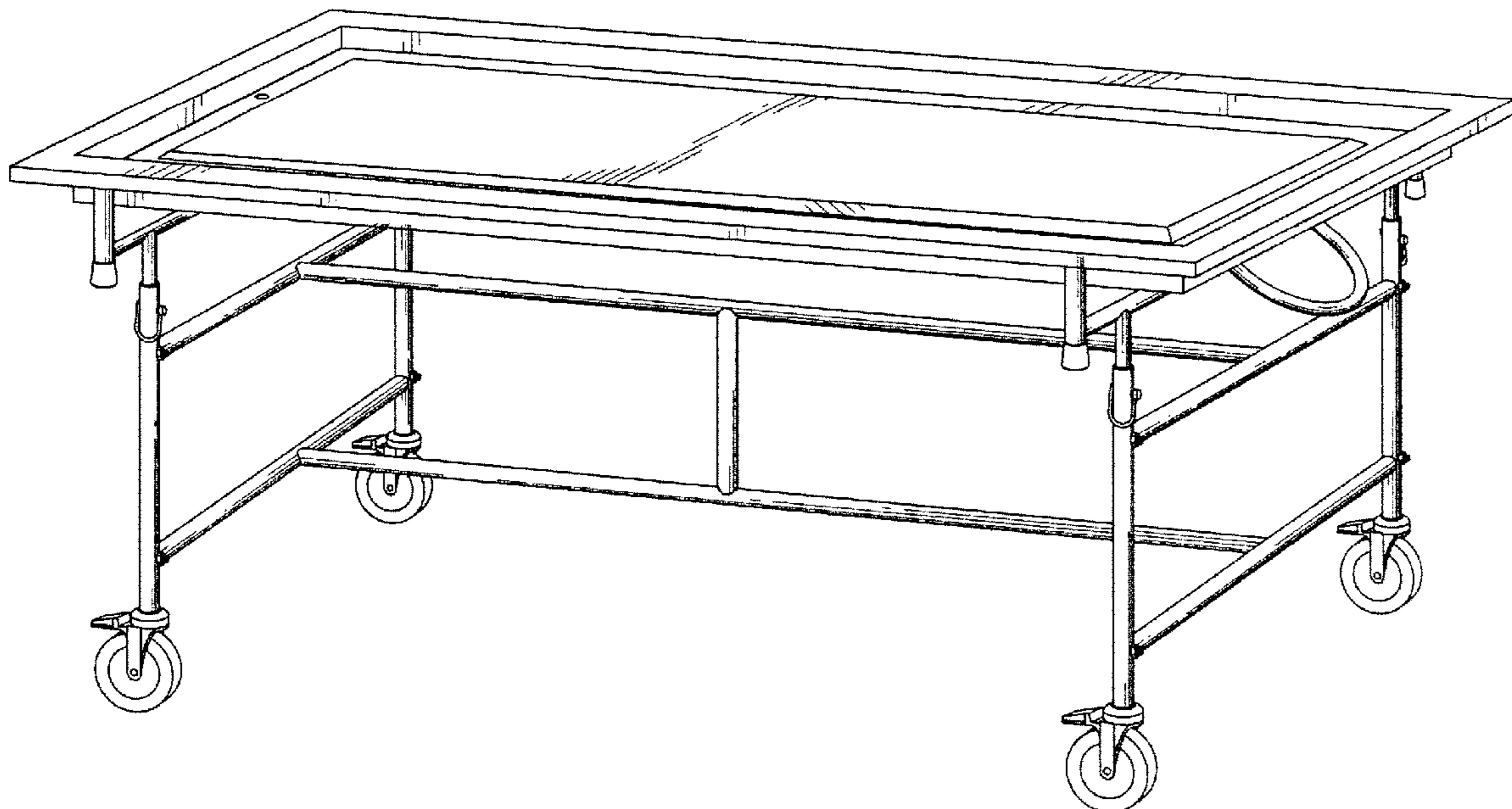
FIG. 5 is a bottom perspective view of the embalming table as in FIGS. 1-4.

FIG. 6 is a front end view of the embalming table as in FIGS. 1-5; and,

FIG. 7 is a rear end view of the embalming table as in FIGS. 1-6.

The broken lines are included for the purpose of illustrating portions of the embalming table that forms no part of the claimed.

**1 Claim, 5 Drawing Sheets**



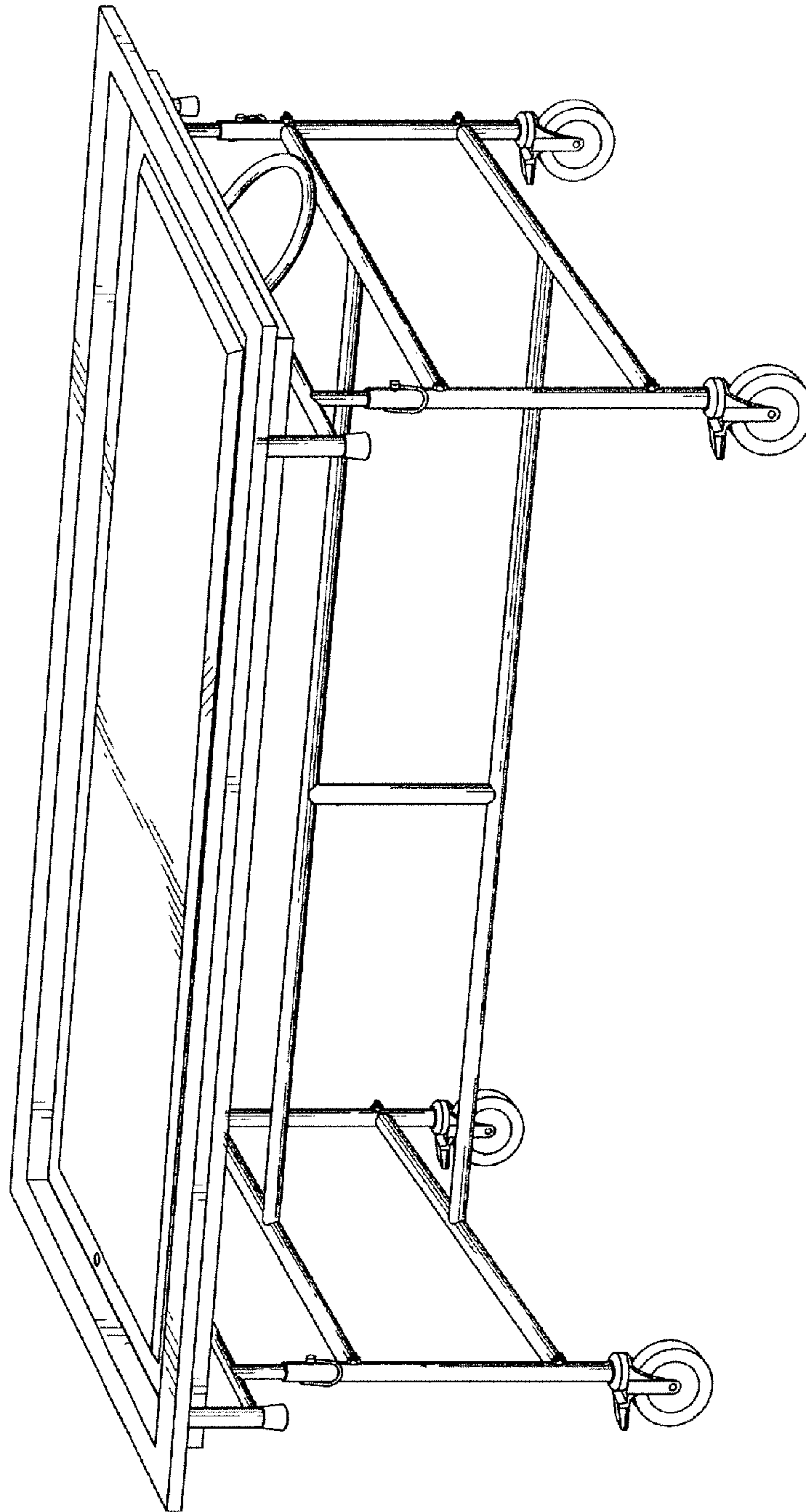


Fig. 1

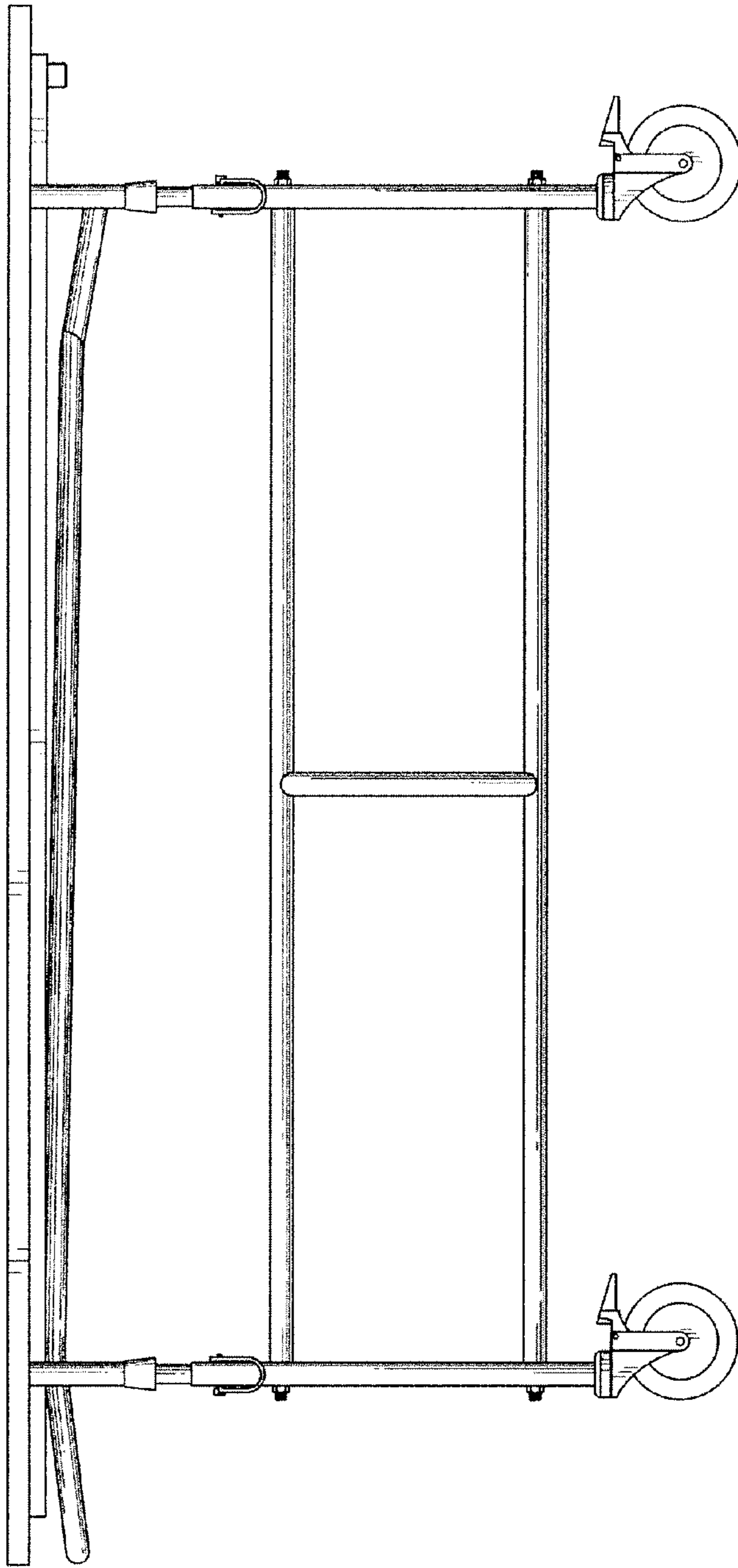


Fig. 2

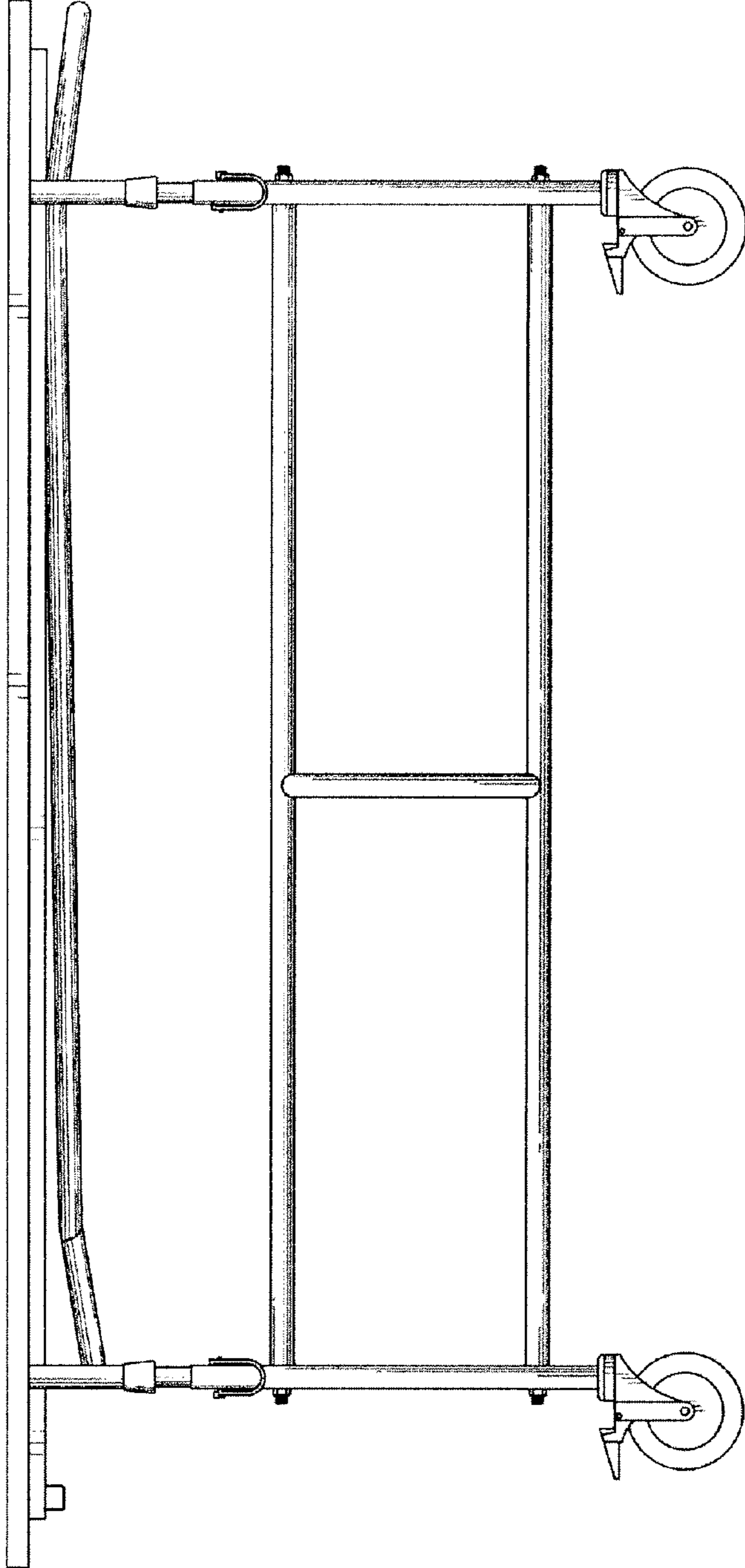


Fig. 3

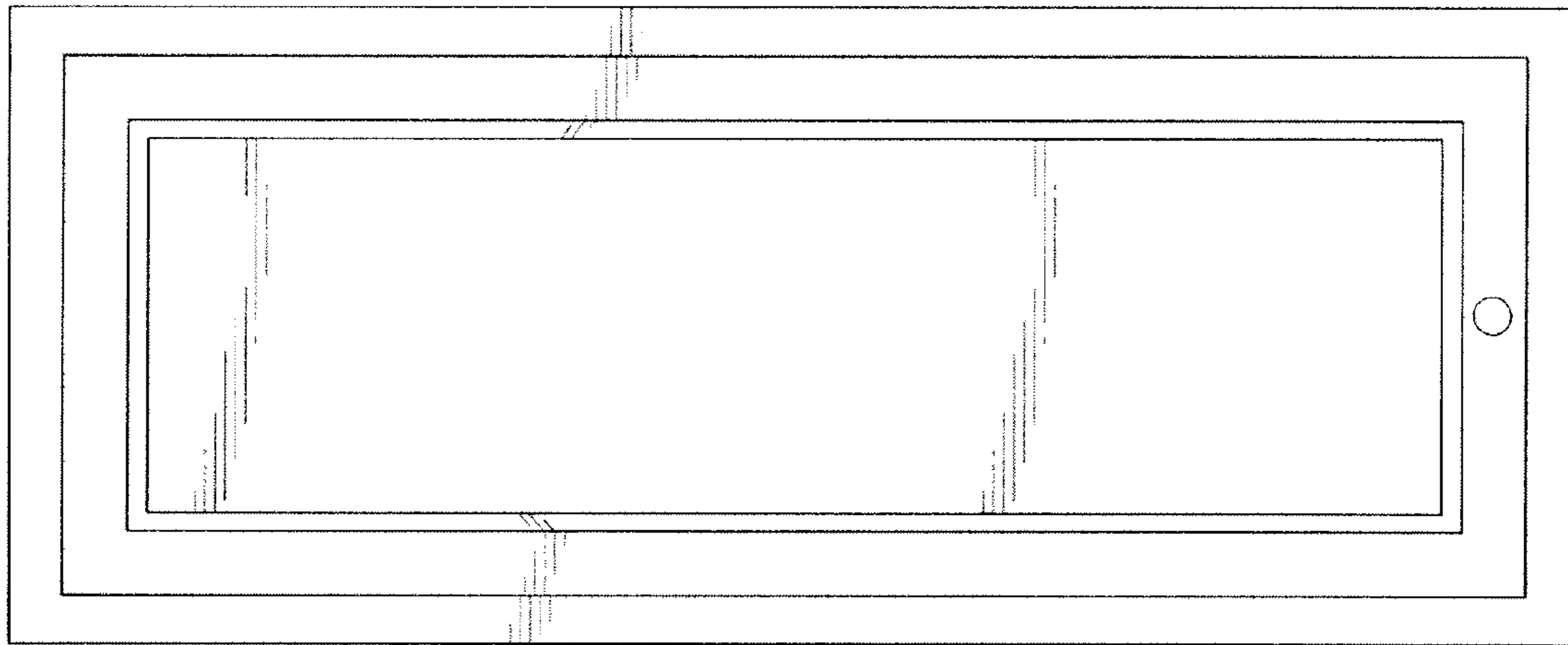


Fig. 4

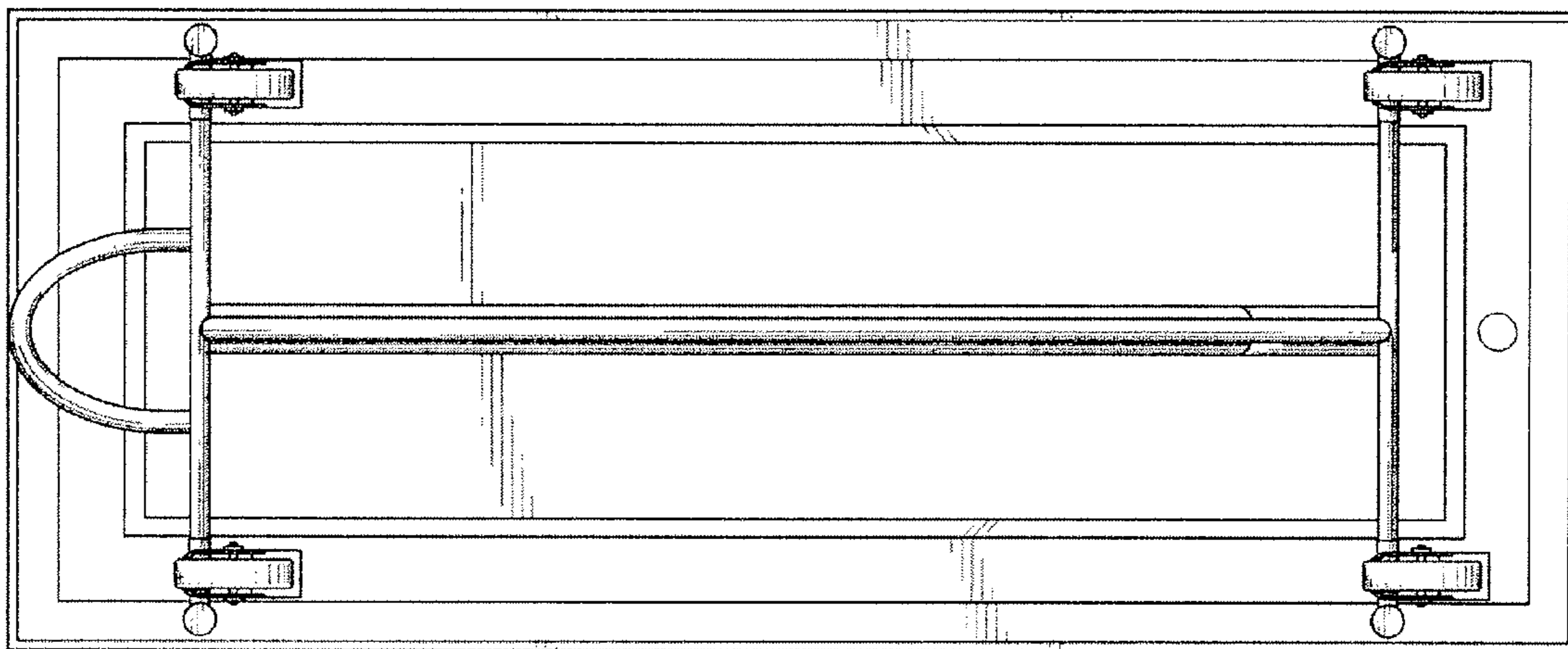


Fig. 5

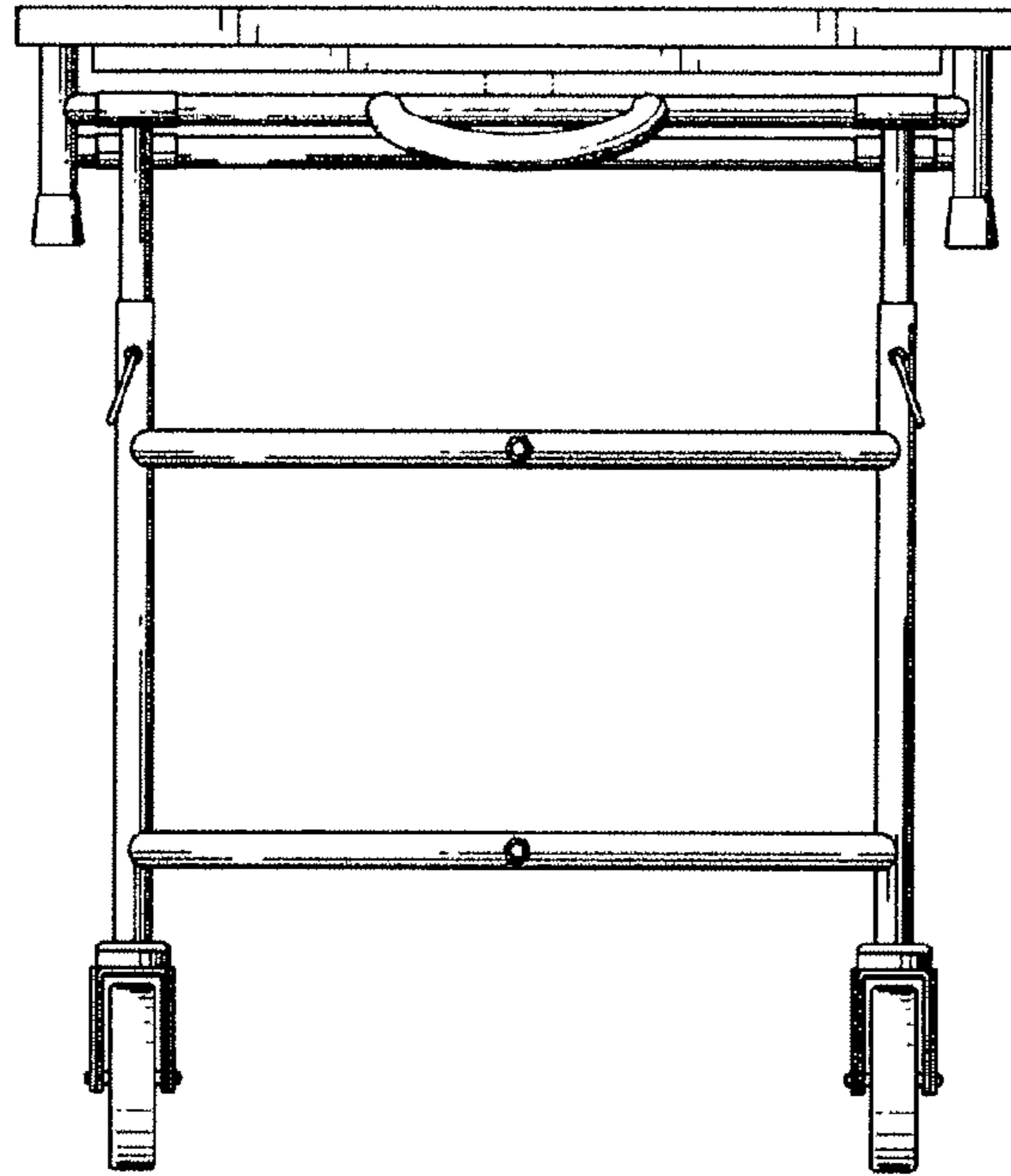


Fig. 6

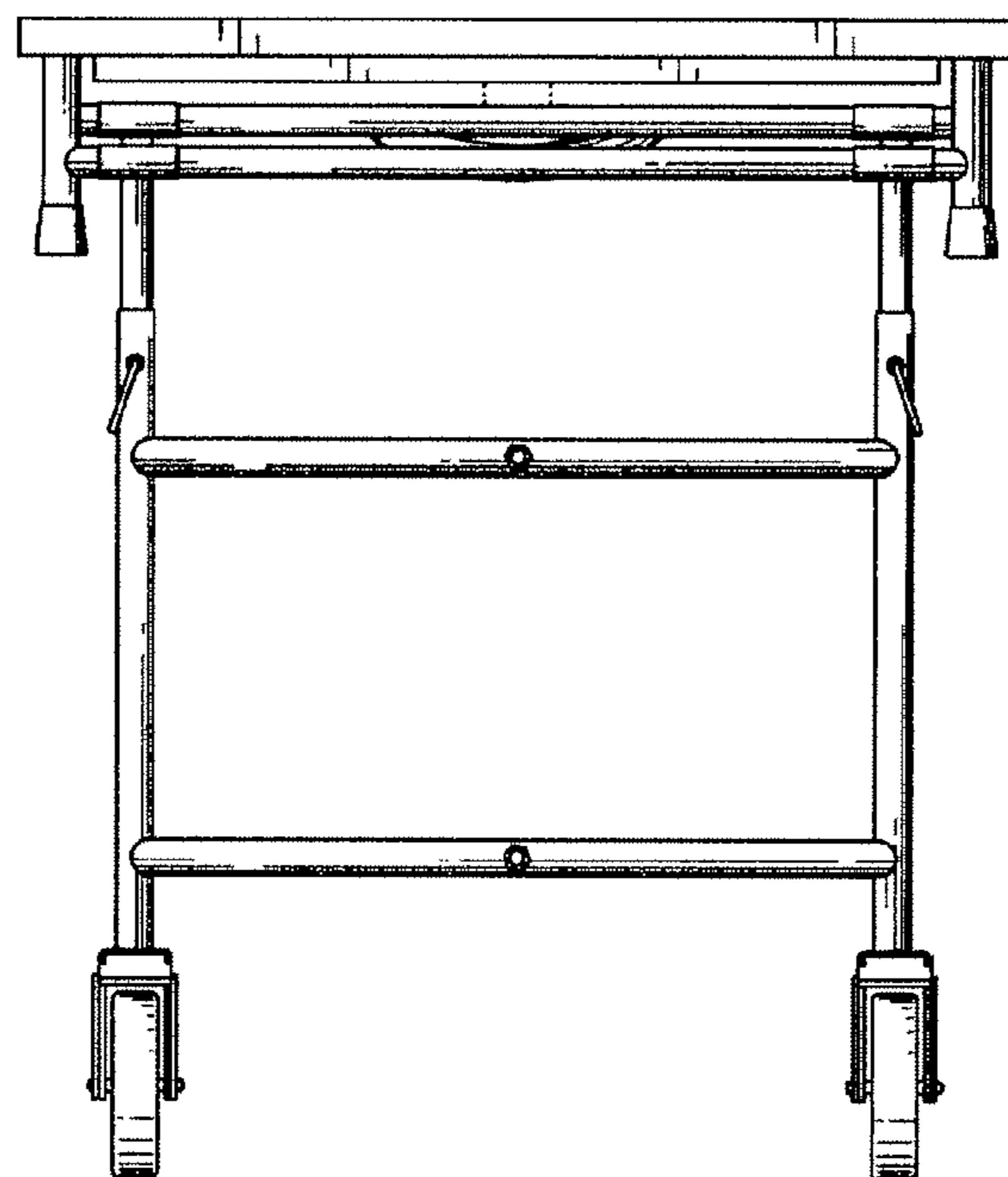


Fig. 7