



US00D632794S

(12) **United States Design Patent**
Wai

(10) **Patent No.:** **US D632,794 S**
(45) **Date of Patent:** **** Feb. 15, 2011**

(54) **AUDIO AMPLIFIER**

D475,996 S 6/2003 Skulley
D478,893 S 8/2003 Corander
D479,834 S 9/2003 Salazar et al.

(75) Inventor: **King Sun Wai**, Kowloon (HK)

(73) Assignee: **Angel Sales, Inc.**, Chicago, IL (US)

(**) Term: **14 Years**

(Continued)

(21) Appl. No.: **29/350,686**

OTHER PUBLICATIONS

(22) Filed: **Nov. 20, 2009**

“Loud ’N Clear” IdeaVillage Products Corp., accessed from <http://getloudandclear.com> (Copyright 2008).

(51) **LOC (9) Cl.** **24-99**

(52) **U.S. Cl.** **D24/174**

(58) **Field of Classification Search** D24/173–175,
D24/106; D14/188, 205, 223, 224, 249;
381/23.1, 312, 322–324, 328–330, 334

See application file for complete search history.

(Continued)

Primary Examiner—T. Chase Nelson

Assistant Examiner—Anhdao Doan

(74) *Attorney, Agent, or Firm*—Michael Best & Friedrich LLP

(56) **References Cited**

U.S. PATENT DOCUMENTS

D238,560 S	1/1976	Aupperle	
D254,725 S	4/1980	Rawson et al.	
4,745,661 A	5/1988	Wainscott	
D373,567 S	9/1996	Rak et al.	
D385,540 S	10/1997	Taylor	
D385,541 S	10/1997	Taylor	
D389,806 S	1/1998	Nielsen	
D394,436 S	5/1998	Hall et al.	
D411,175 S	6/1999	Doren et al.	
D419,677 S *	1/2000	McKimm D24/175
D440,205 S	4/2001	Lord	
D441,185 S	5/2001	Shimizu et al.	
D441,524 S	5/2001	Shimizu et al.	
D443,859 S	6/2001	Hogan	
D453,503 S	2/2002	Fitzsimmons et al.	
D453,753 S	2/2002	Ahn	
D457,513 S	5/2002	Pirelli et al.	
D462,689 S	9/2002	Moran	
D463,787 S	10/2002	Beraut et al.	
D465,784 S	11/2002	Lin	
D469,770 S	2/2003	Carpenter et al.	
D470,833 S	2/2003	Rath et al.	
D473,217 S	4/2003	Rivera	

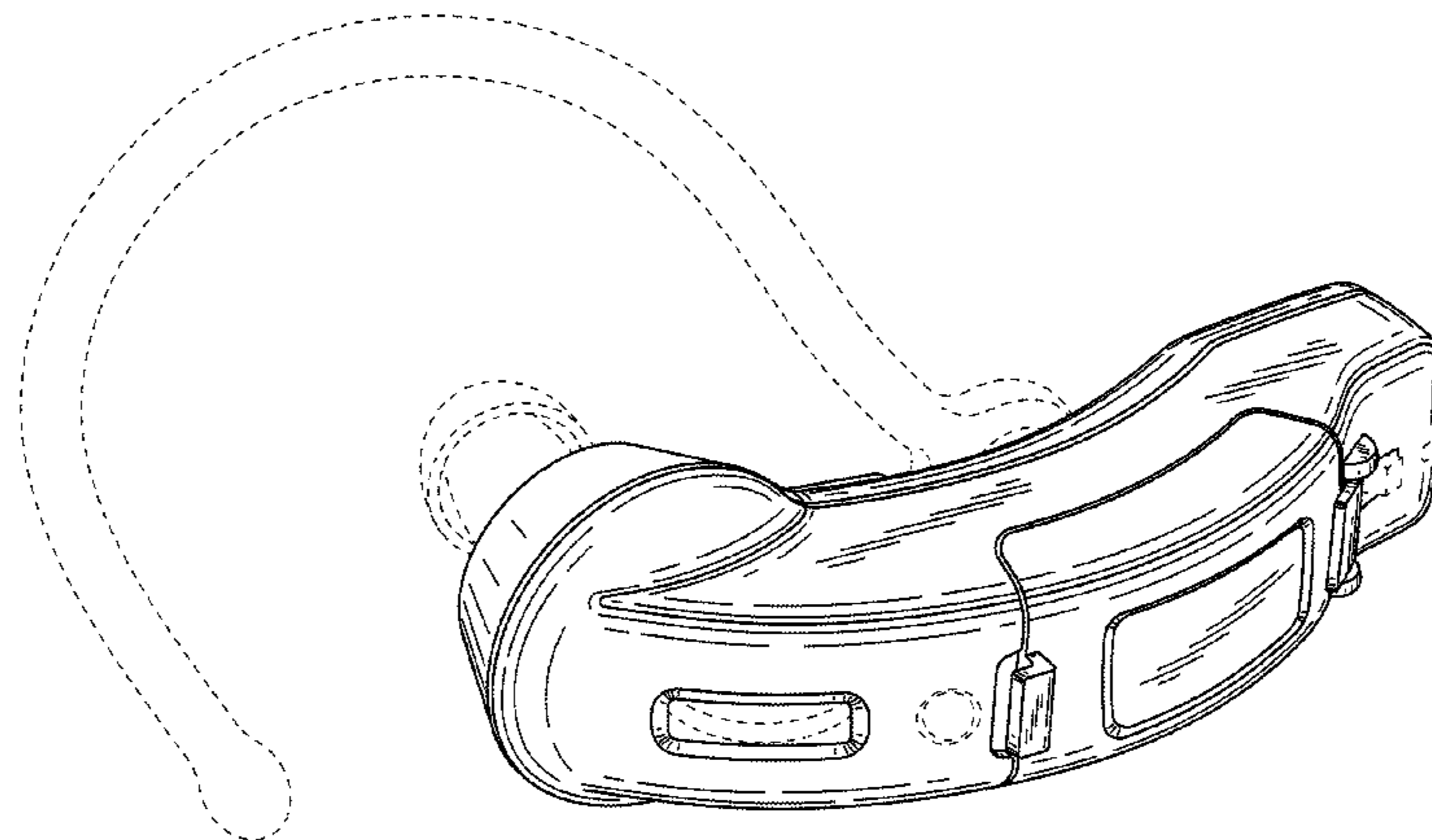
(57) **CLAIM**

I claim the ornamental design for an audio amplifier, as shown and described.

DESCRIPTION

FIG. 1 is a perspective view an audio amplifier.
FIG. 2 is a left side view of the audio amplifier shown in FIG. 1.
FIG. 3 is a right view of the audio amplifier shown in FIG. 1.
FIG. 4 is a front view of the audio amplifier shown in FIG. 1.
FIG. 5 is a rear view of the audio amplifier shown in FIG. 1.
FIG. 6 is a bottom view of the audio amplifier shown in FIG. 1; and,
FIG. 7 is a top view of the audio amplifier shown in FIG. 1.
The broken lines show portions of the audio amplifier that form no part of the claimed design.

1 Claim, 7 Drawing Sheets



US D632,794 S

Page 2

U.S. PATENT DOCUMENTS

D480,386 S	10/2003	Browne et al.	
D480,389 S	10/2003	Schulz et al.	
D486,478 S	2/2004	Swan et al.	
D493,175 S	7/2004	Schmidt et al.	
D494,570 S	8/2004	Ma	
D494,571 S	8/2004	Polito	
D497,357 S	10/2004	Allum et al.	
D501,643 S	2/2005	Strand et al.	
D502,171 S	2/2005	Tang et al.	
D504,884 S	5/2005	Hering	
D509,210 S	9/2005	Skulley et al.	
D510,711 S	10/2005	Syme et al.	
D516,032 S	2/2006	Suckle et al.	
7,020,300 B1	3/2006	Villaverde	
7,031,485 B2 *	4/2006	Webber et al.	381/328
D520,988 S	5/2006	Miller	
D525,947 S	8/2006	Gerard et al.	
D529,612 S *	10/2006	Feeley et al.	D24/174
D532,775 S	11/2006	Ikeda et al.	
D537,780 S	3/2007	Suckle	
D541,261 S	4/2007	Ikeda et al.	
D542,281 S	5/2007	Mabry et al.	
D543,937 S	6/2007	Rose et al.	
D545,813 S	7/2007	Ma	
D551,626 S	9/2007	Ho et al.	
D552,596 S	10/2007	Christopher	
D554,626 S	11/2007	Christopher	
D555,021 S	11/2007	Rounds et al.	
D555,150 S	11/2007	Christopher et al.	
D555,151 S	11/2007	Eklund	
D559,836 S *	1/2008	Lee et al.	D14/223
D560,617 S	1/2008	Poulet	
D561,743 S	2/2008	Huang et al.	
D562,310 S	2/2008	Moon et al.	
D565,033 S	3/2008	Goransson	
D568,810 S	5/2008	Weinstein	
D569,842 S	5/2008	Yang	
D571,737 S	6/2008	Koury et al.	
D582,899 S	12/2008	Wai	
D584,292 S	1/2009	Knight	
D586,301 S	2/2009	Corsini et al.	
D586,793 S	2/2009	Lee et al.	
D591,274 S	4/2009	Khubani	
D599,908 S *	9/2009	Nielsen	D24/174
D600,682 S	9/2009	Wai	
D605,770 S *	12/2009	Bergstrom	D24/174
D608,766 S *	1/2010	Brickstad	D14/223

OTHER PUBLICATIONS

“Silver Sonic XL” Bell + Howell, accessed from <http://www.silversonicxl.com> (Copyright 2008).

* cited by examiner

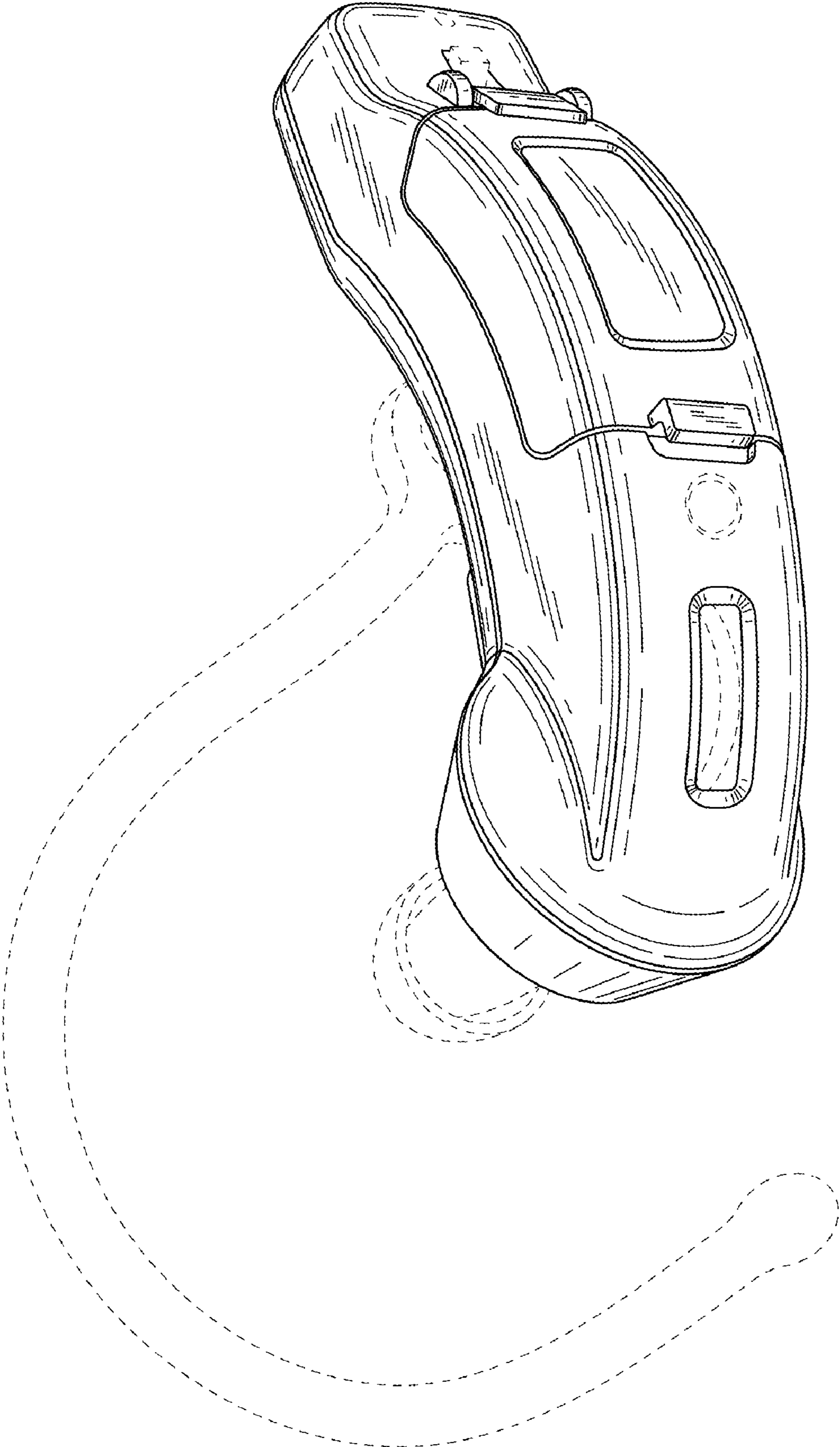


FIG. 1

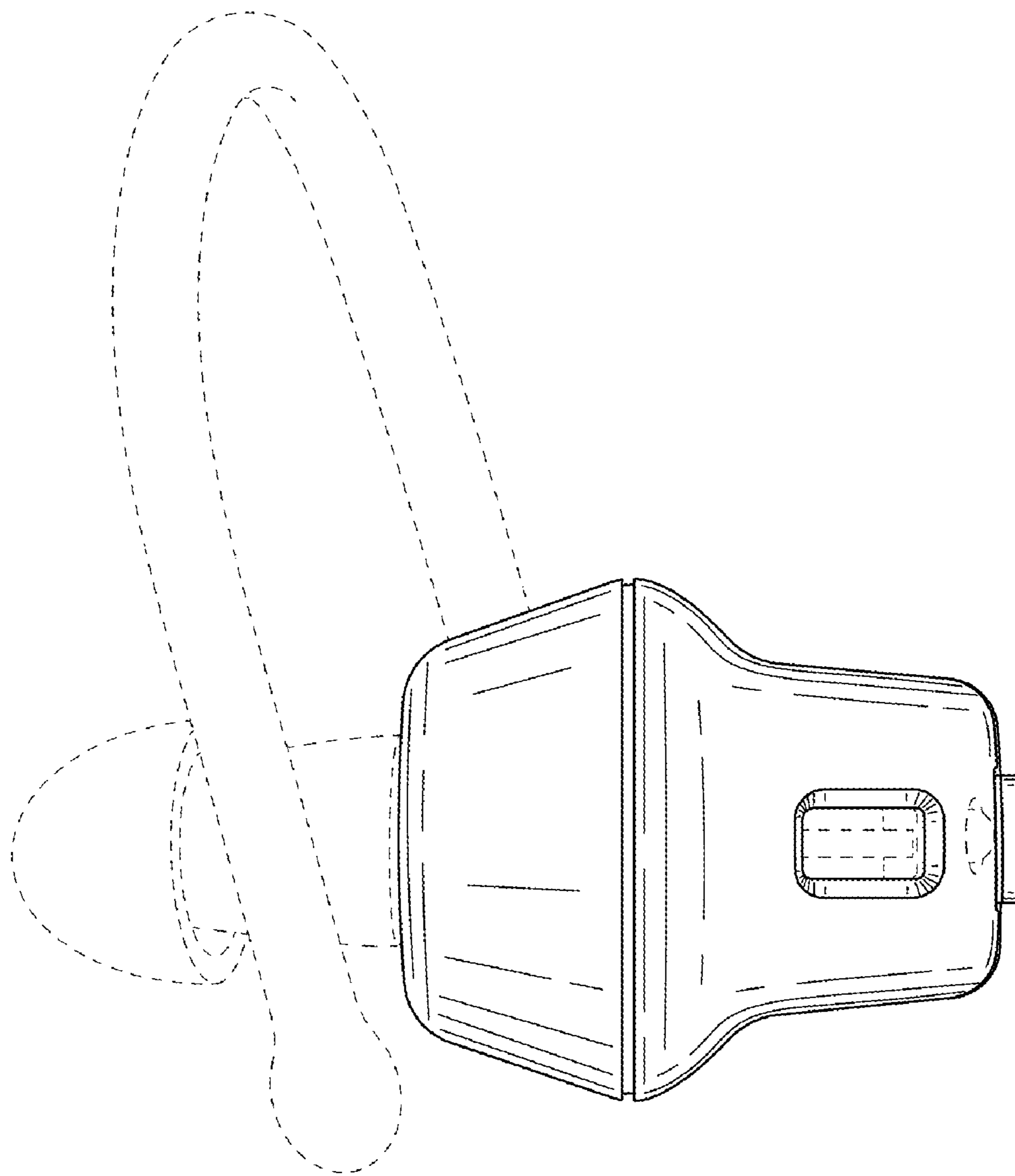


FIG. 2

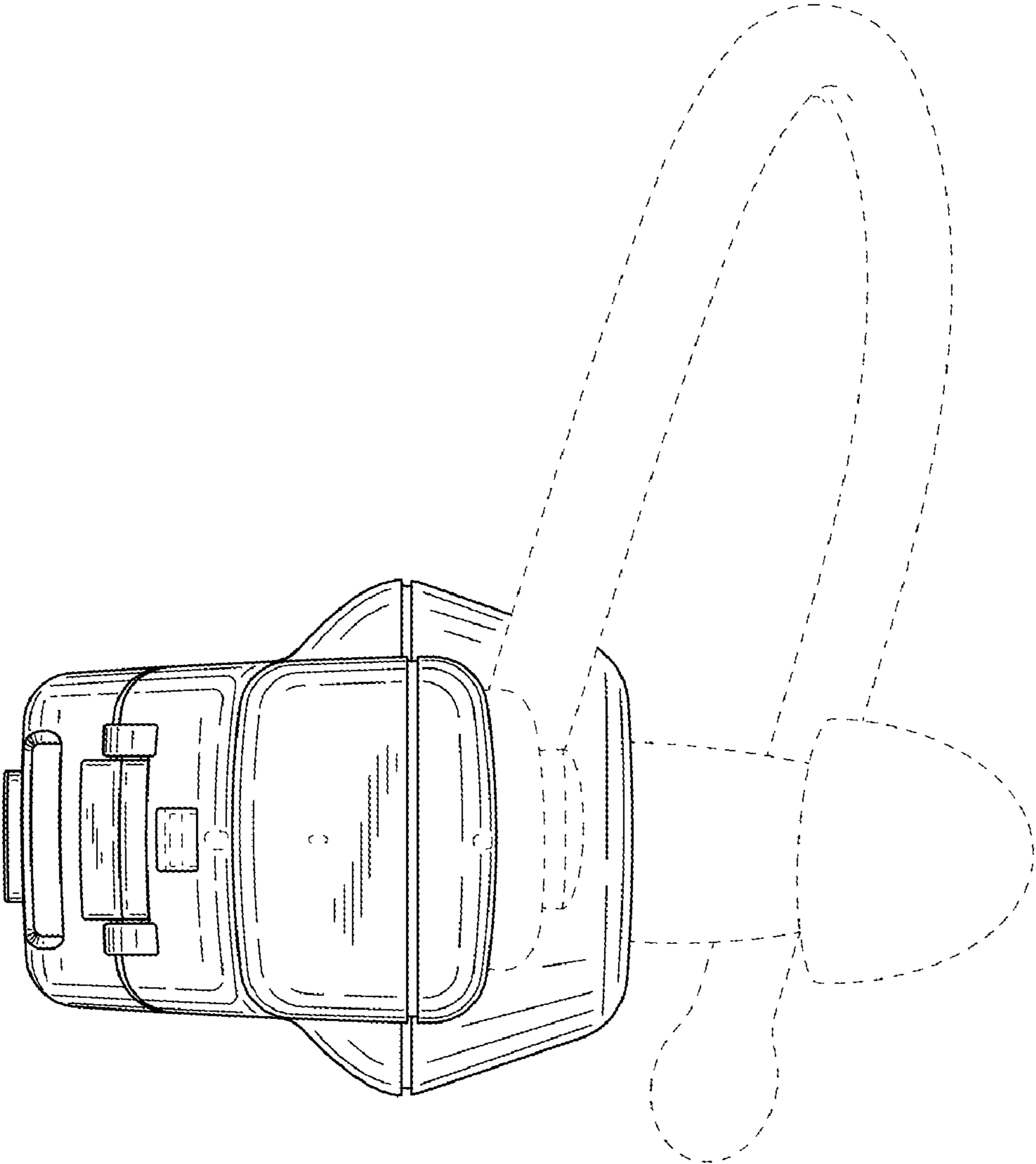


FIG. 3

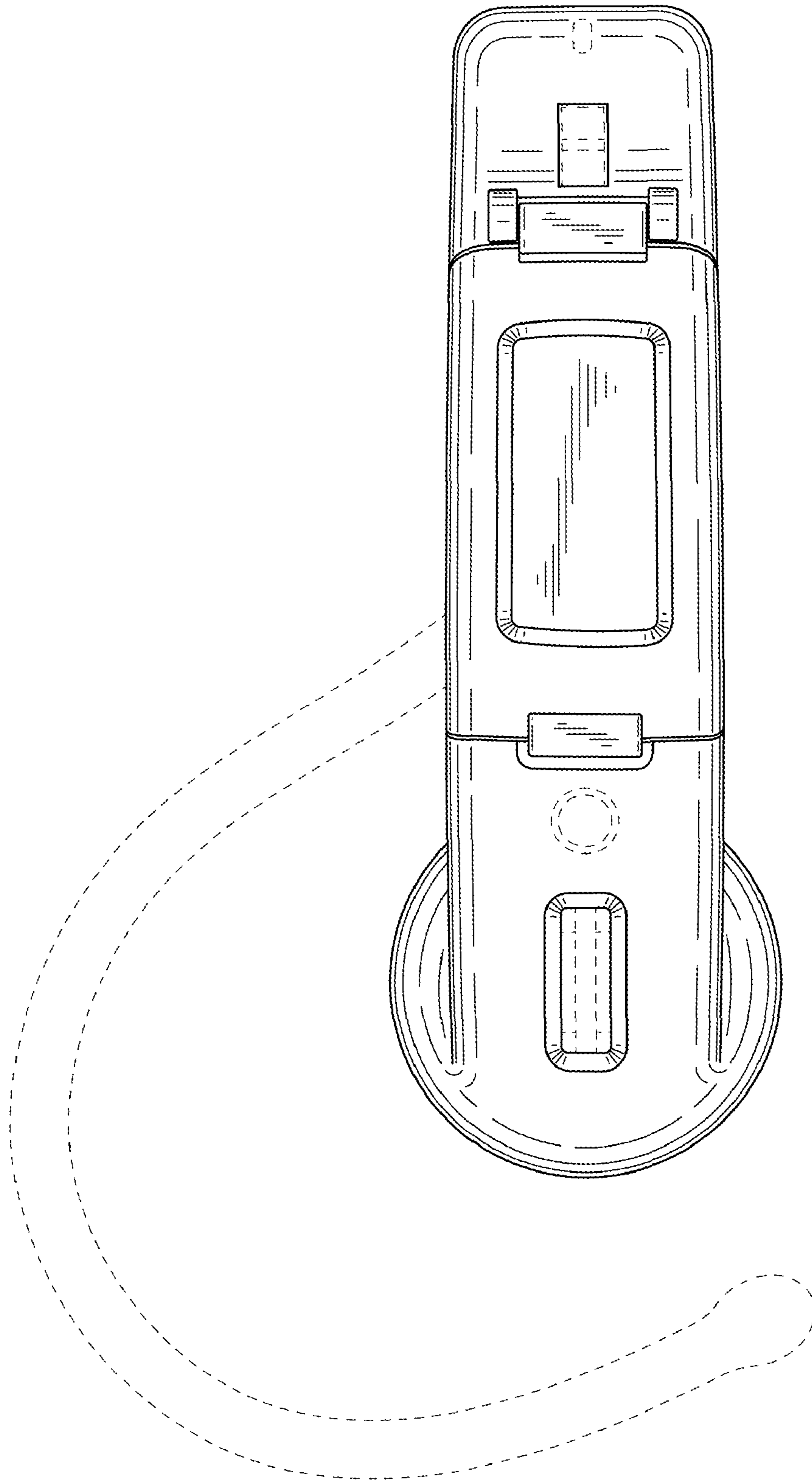


FIG. 4

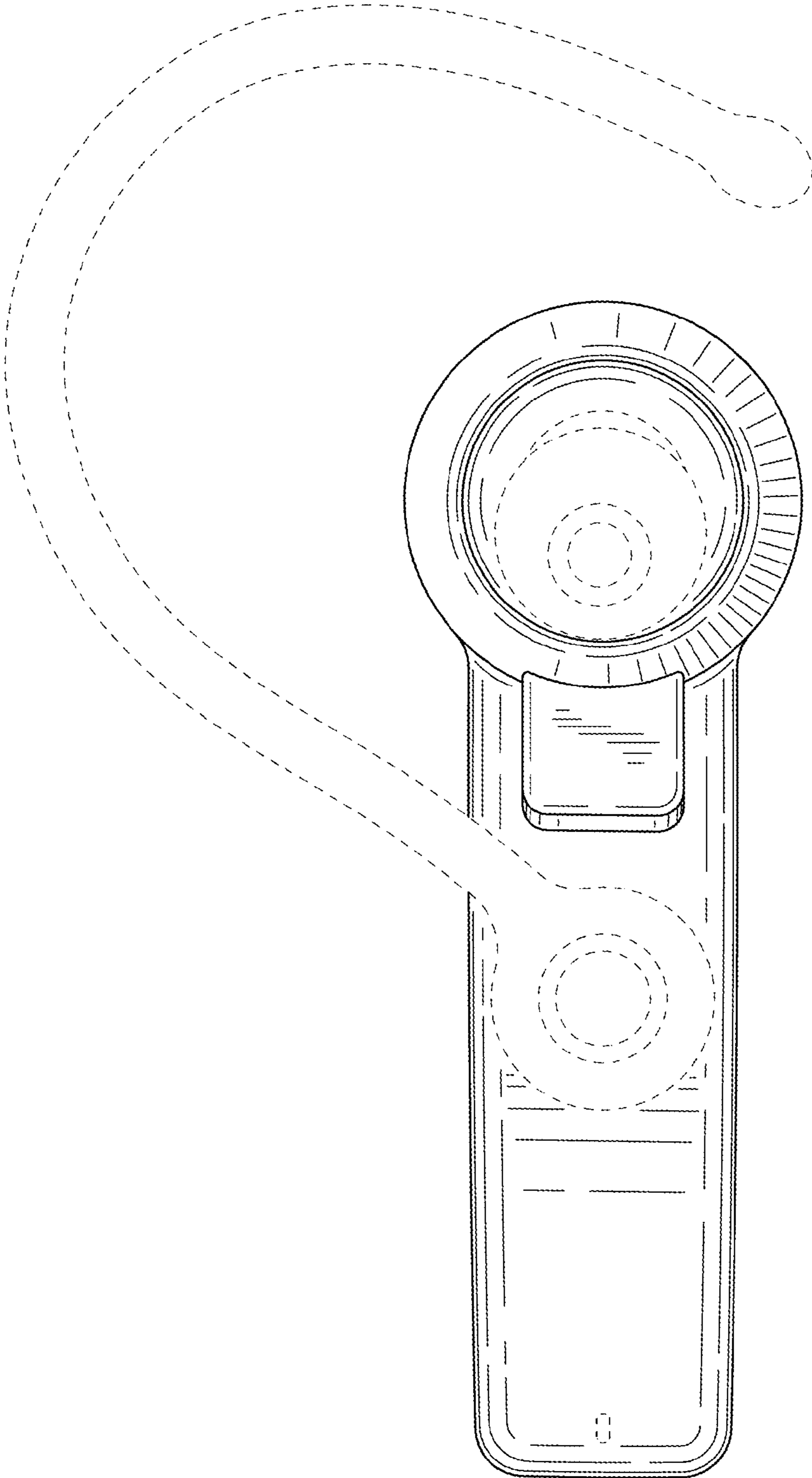


FIG. 5

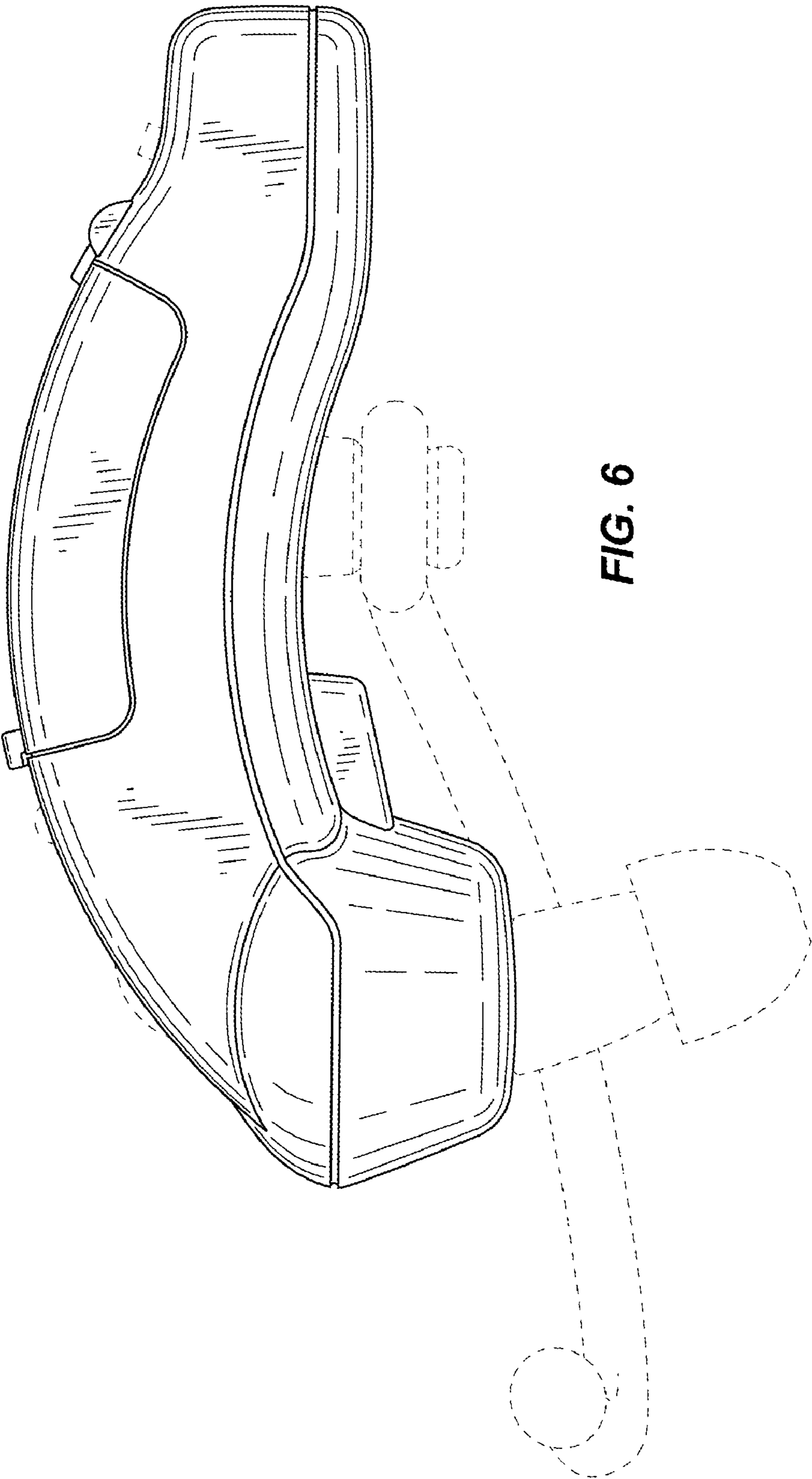


FIG. 6

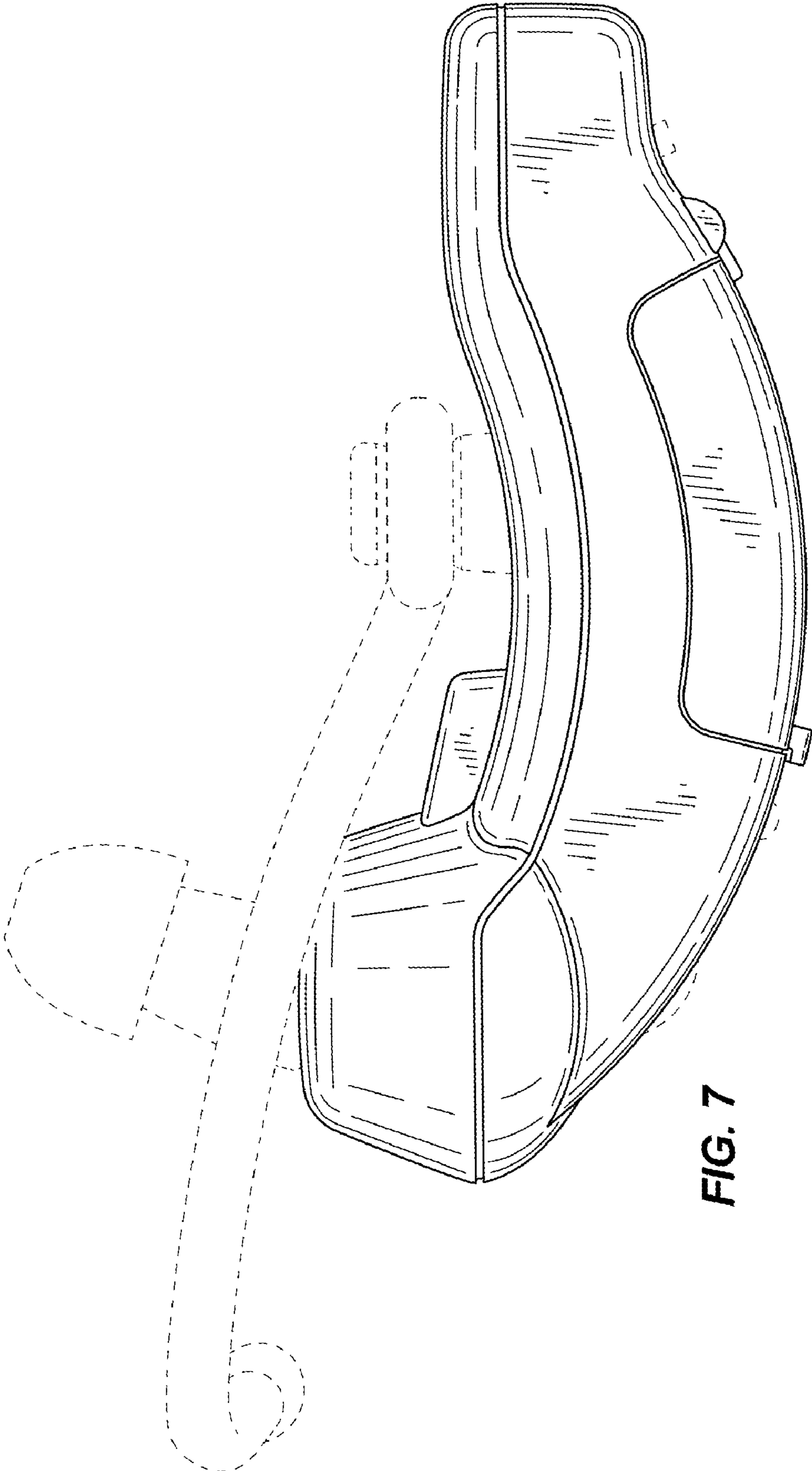


FIG. 7