



US00D632792S

(12) **United States Design Patent**
Cameron et al.

(10) **Patent No.:** **US D632,792 S**
(45) **Date of Patent:** **** Feb. 15, 2011**

(54) **BLOOD PROCESSING DEVICE**

(75) Inventors: **Allan Cameron**, Natick, MA (US); **Roy Alden Thompson**, Dorchester, MA (US); **James Wilson**, Norwood, MA (US)

(73) Assignee: **Haemonetics Corporation**, Braintree, MA (US)

(**) Term: **14 Years**

(21) Appl. No.: **29/288,599**

(22) Filed: **Jun. 15, 2007**

(51) **LOC (9) Cl.** **24-01**

(52) **U.S. Cl.** **D24/169**

(58) **Field of Classification Search** D24/107,
D24/164, 165, 169, 185, 186, 231, 232; D10/78,
D10/81; 210/252, 321.65, 645, 646; 604/28,
604/29, 65, 131

See application file for complete search history.

(56) **References Cited**

U.S. PATENT DOCUMENTS

D248,488 S 7/1978 Ashcraft et al. D24/1.1
D253,190 S * 10/1979 Bixler et al. D24/169
D258,909 S 4/1981 Bergo et al. D24/1.1
D367,534 S 2/1996 DiPerna et al. D24/169

D383,842 S * 9/1997 Kenley et al. D24/169
D389,916 S * 1/1998 DiPerna et al. D24/169
D420,444 S * 2/2000 McGugan D24/169
6,044,691 A * 4/2000 Kenley et al. 210/646
6,808,503 B2 * 10/2004 Farrell et al. 210/252
7,217,356 B2 * 5/2007 Cork et al. 604/65

* cited by examiner

Primary Examiner—T. Chase Nelson
Assistant Examiner—Anhdao Doan

(57) **CLAIM**

The ornamental design for a blood processing device, as shown and described.

DESCRIPTION

FIG. 1 is a perspective view of a blood processing device showing our new design;

FIG. 2 is a front view thereof;

FIG. 3 is a rear view thereof;

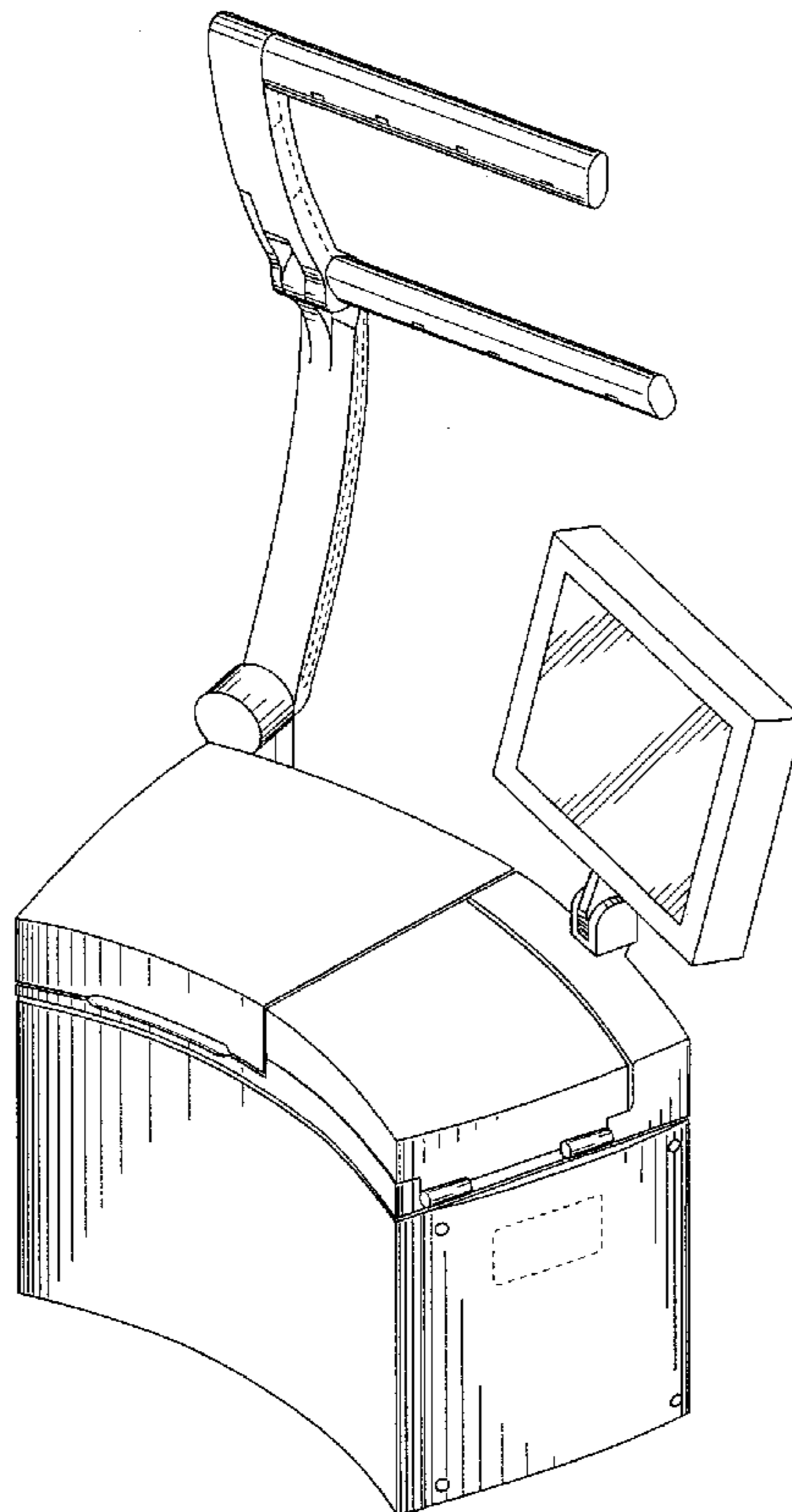
FIG. 4 is a top view thereof;

FIG. 5 is a left side view thereof; and,

FIG. 6 is a right side view thereof.

The broken lines in the drawing views are included for the purpose of illustrating portions of the blood processing device that form no part of the claimed design

1 Claim, 6 Drawing Sheets



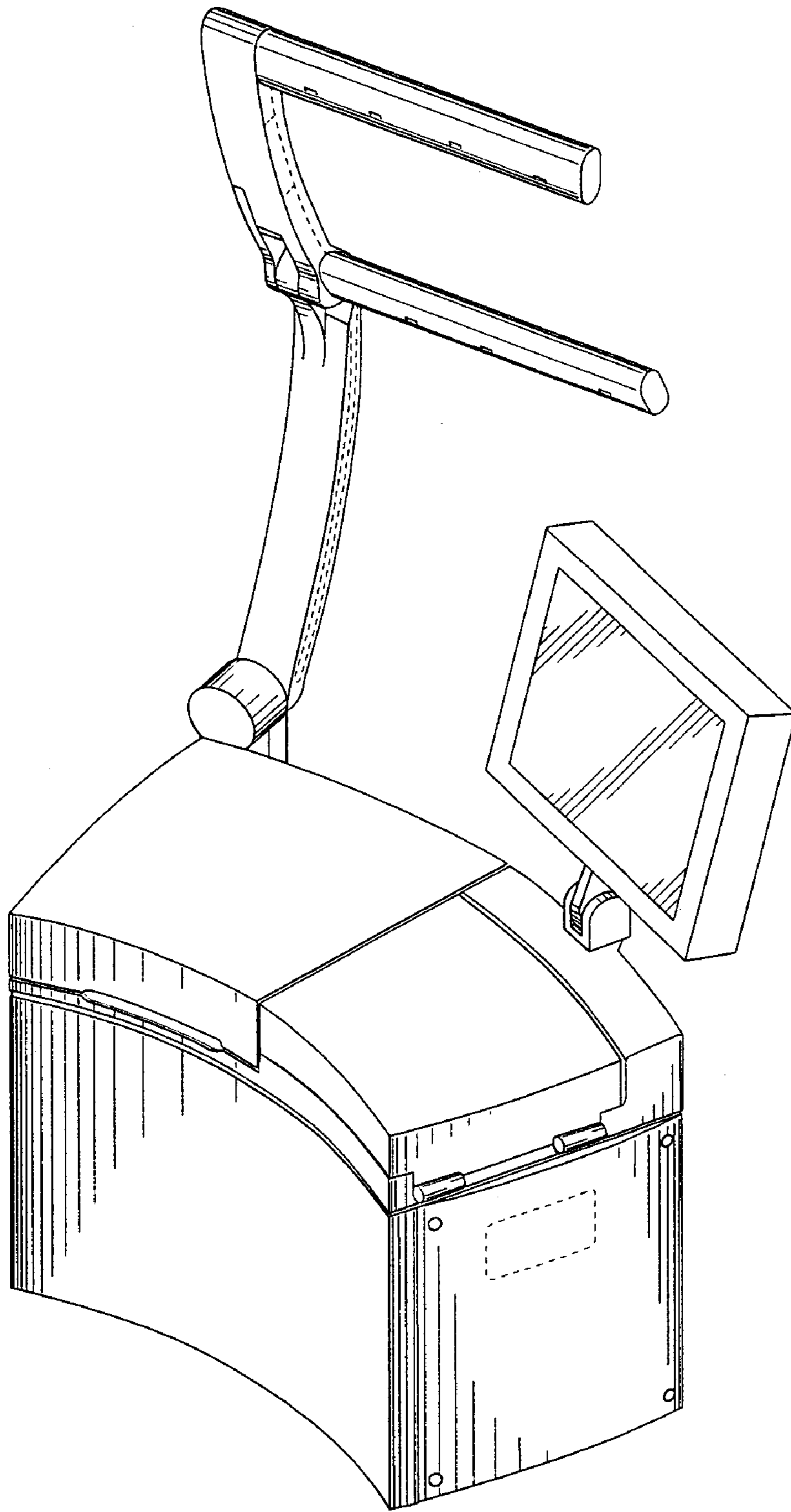


Fig. 1

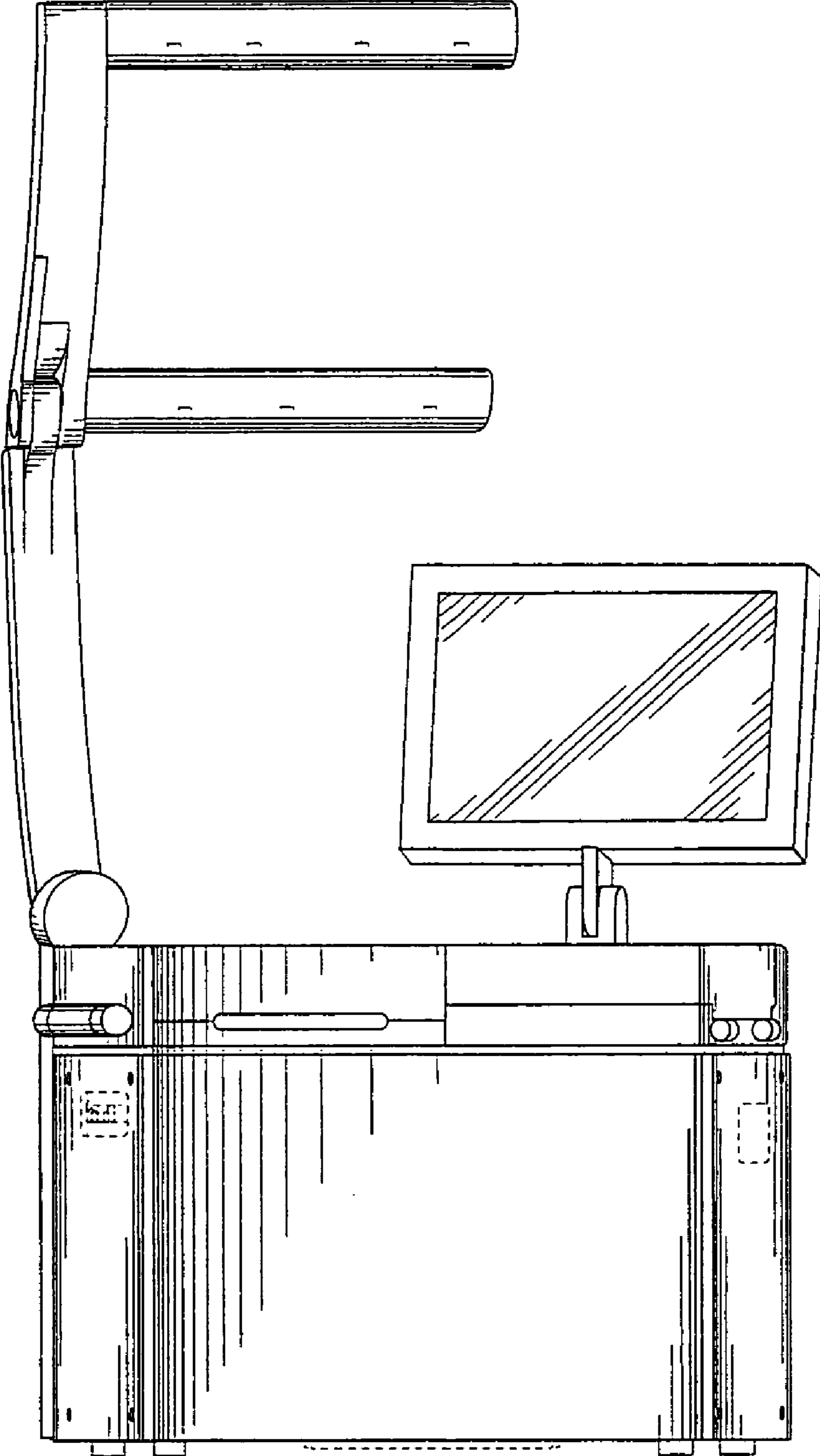


Fig. 2

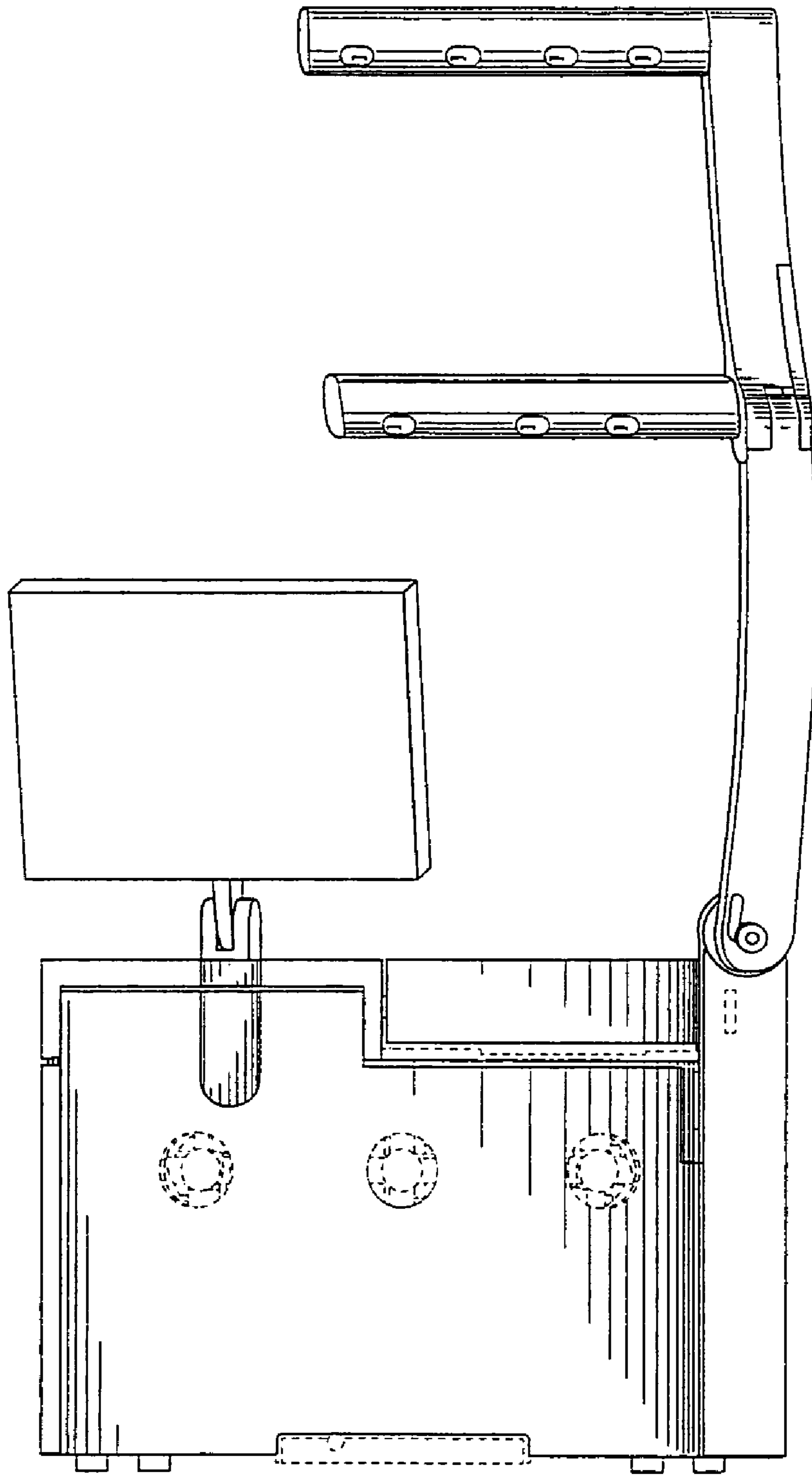


Fig. 3

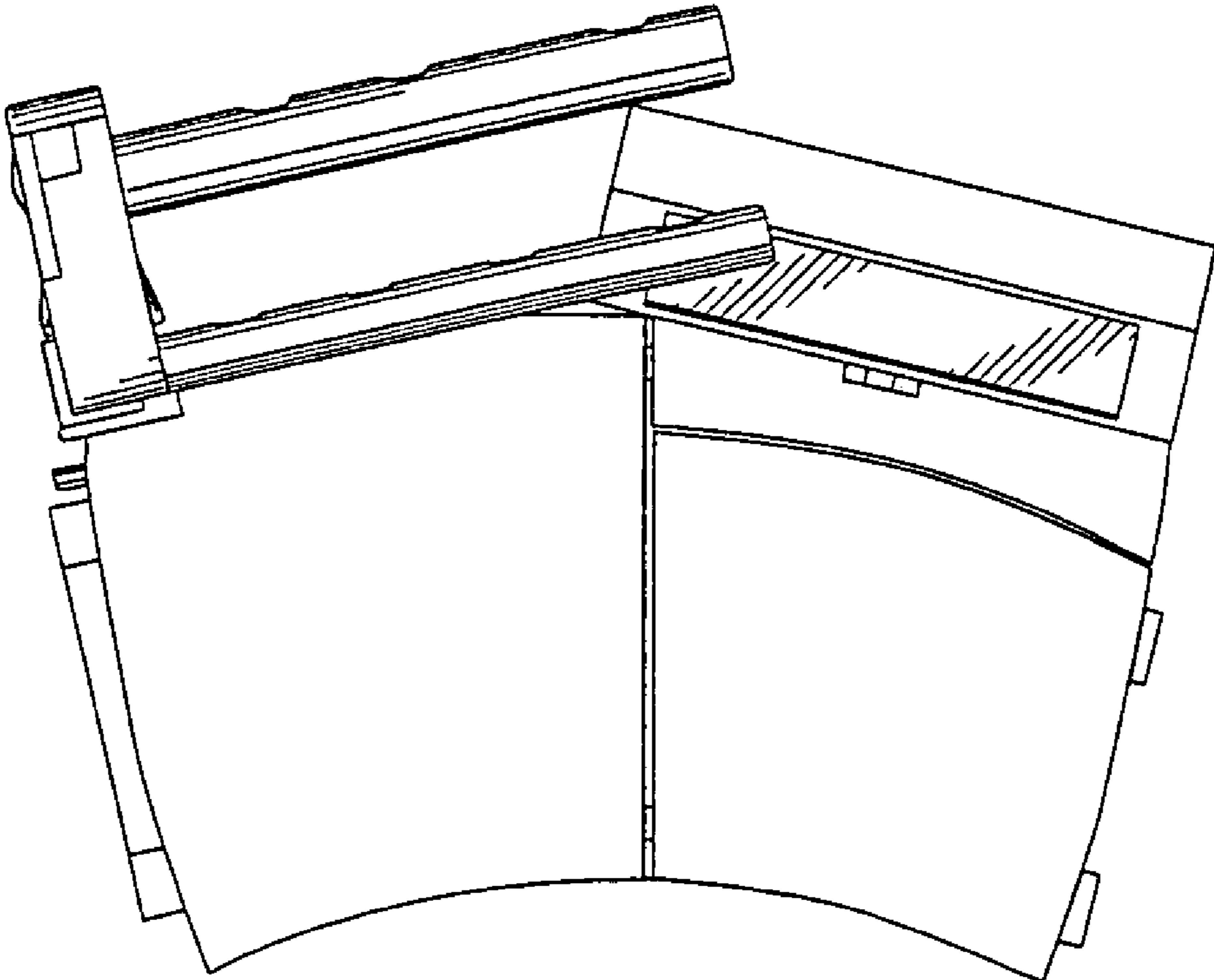


Fig. 4

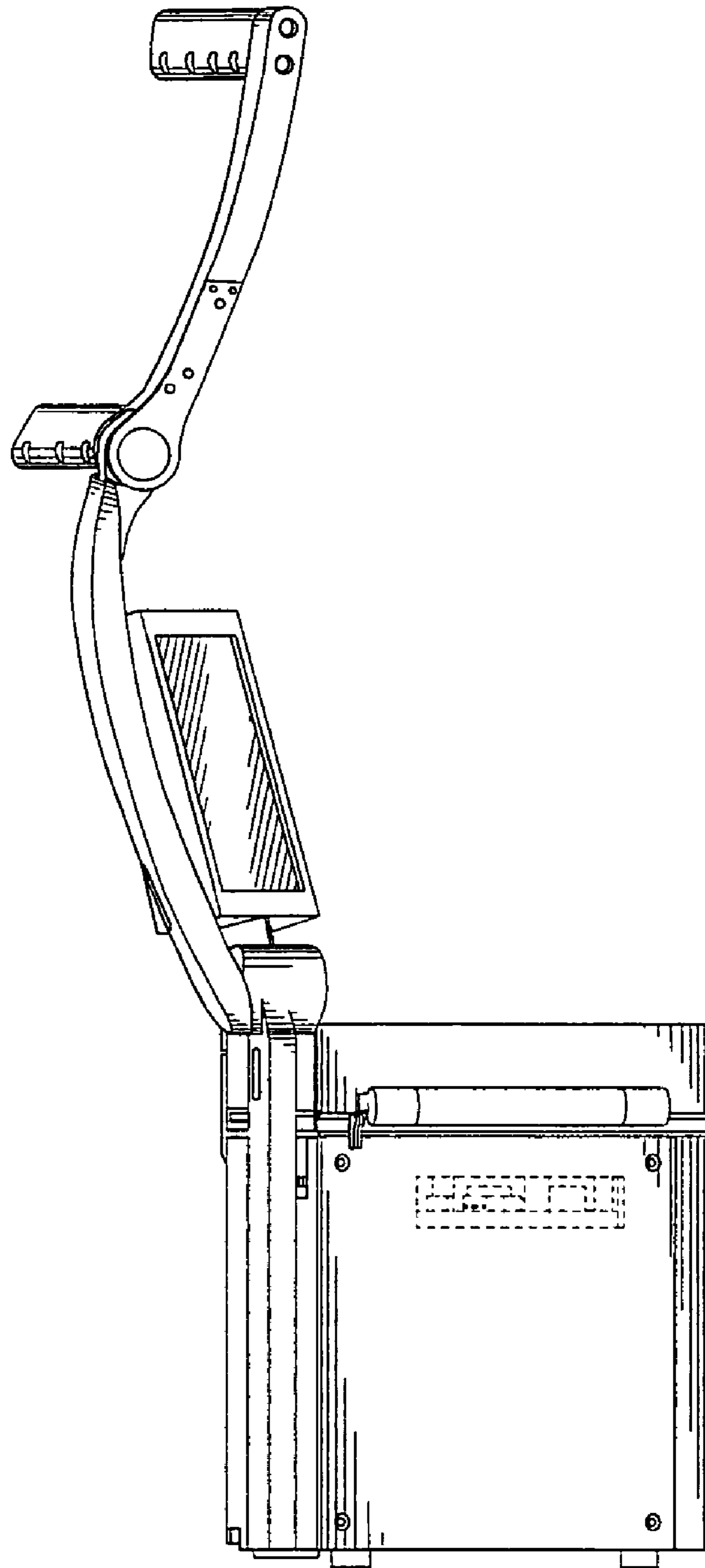


Fig. 5

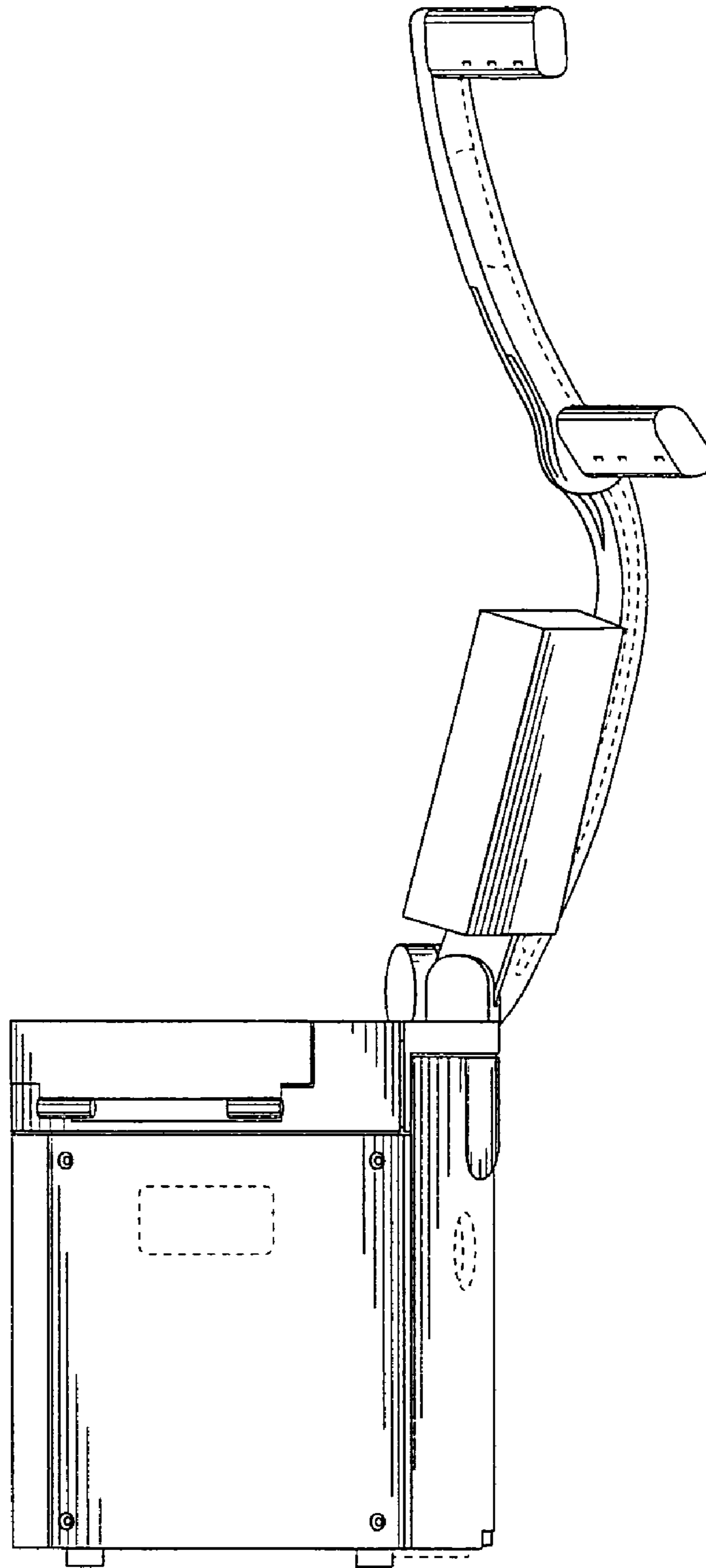


Fig. 6