



US00D632791S

(12) **United States Design Patent**
Mürner

(10) **Patent No.:** **US D632,791 S**

(45) **Date of Patent:** **** Feb. 15, 2011**

(54) **CONNECTOR**

(75) Inventor: **Beat Mürner**, Reichenbach (CH)

(73) Assignee: **Stryker Trauma AG** (CH)

(**) Term: **14 Years**

(21) Appl. No.: **29/357,296**

(22) Filed: **Mar. 10, 2010**

(30) **Foreign Application Priority Data**

Sep. 11, 2009 (EM) 001167266

(51) **LOC (9) Cl.** **24-03**

(52) **U.S. Cl.** **D24/155; D24/129**

(58) **Field of Classification Search** D24/155–157,
D24/129; 606/53, 54, 59, 237, 246, 247,
606/248; 600/227; 403/322.4, 373, 385
See application file for complete search history.

(56) **References Cited**

U.S. PATENT DOCUMENTS

D228,970 S *	10/1973	Cohen et al.	D24/128
D237,631 S *	11/1975	Katzman et al.	D24/129
D282,962 S *	3/1986	Gerber	D23/262
D283,725 S *	5/1986	Mahoney	D23/235
D380,262 S *	6/1997	Van Funderburk et al.	D24/129
D429,334 S *	8/2000	Solem	D24/155
D483,642 S *	12/2003	Lin	D8/107
D532,277 S *	11/2006	Shih	D8/107
D558,337 S *	12/2007	Jones et al.	D24/128
7,479,142 B2	1/2009	Weiner et al.		
D607,102 S *	12/2009	Robinson	D24/146

2001/0049526 A1	12/2001	Venturini et al.		
2004/0044344 A1	3/2004	Winqvist et al.		
2006/0155276 A1	7/2006	Walulik et al.		
2007/0123856 A1	5/2007	Deffenbaugh et al.		
2008/0306527 A1*	12/2008	Winslow et al.	606/246
2008/0306528 A1*	12/2008	Winslow et al.	606/246
2009/0099565 A1	4/2009	Weiner et al.		

FOREIGN PATENT DOCUMENTS

CH 657899 A5 9/1986

* cited by examiner

Primary Examiner—Bridget L Eland

(74) *Attorney, Agent, or Firm*—Lerner, David, Littenberg, Krumholz & Mentlik, LLP

(57) **CLAIM**

The ornamental design for a connector, as shown and described.

DESCRIPTION

FIG. 1 is a perspective view of a connector.

FIG. 2 is a front view of the connector shown in FIG. 1.

FIG. 3 is a left side view of the connector shown in FIG. 1, the right side being a mirror image thereof.

FIG. 4 is a top view of the connector shown in FIG. 1; and,

FIG. 5 is a bottom view of the connector shown in FIG. 1.

The broken lines immediately adjacent the shaded areas of the connector shown in the drawings represent the bounds of the claimed design while all other broken lines represent environmental structure and are for illustrative purposes only; the broken lines form no part of the claimed design.

1 Claim, 3 Drawing Sheets

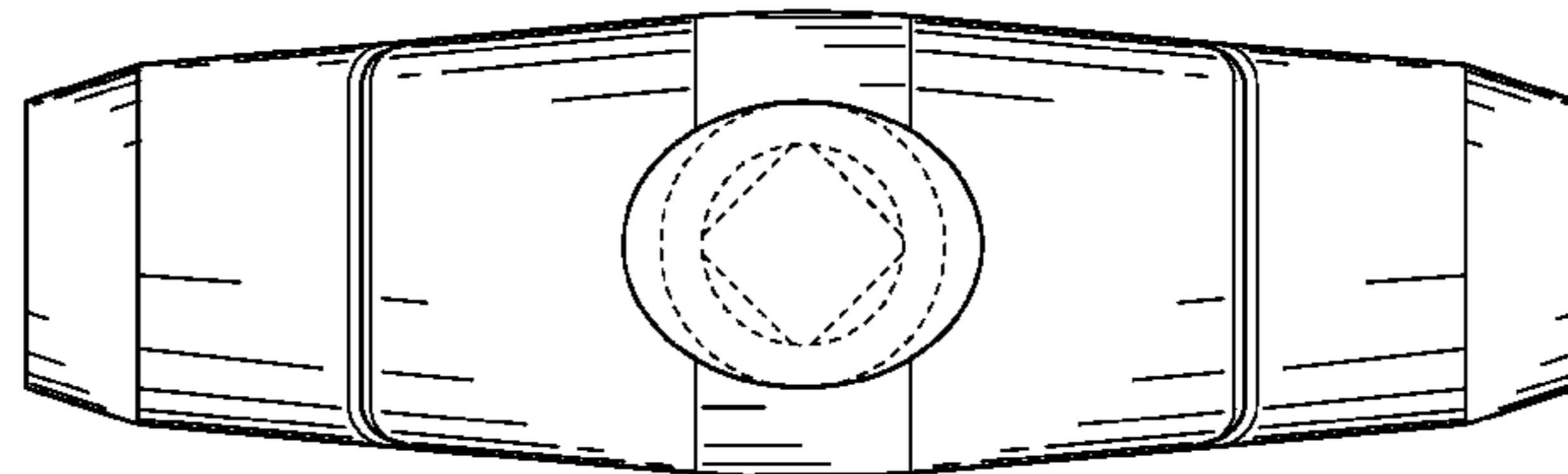
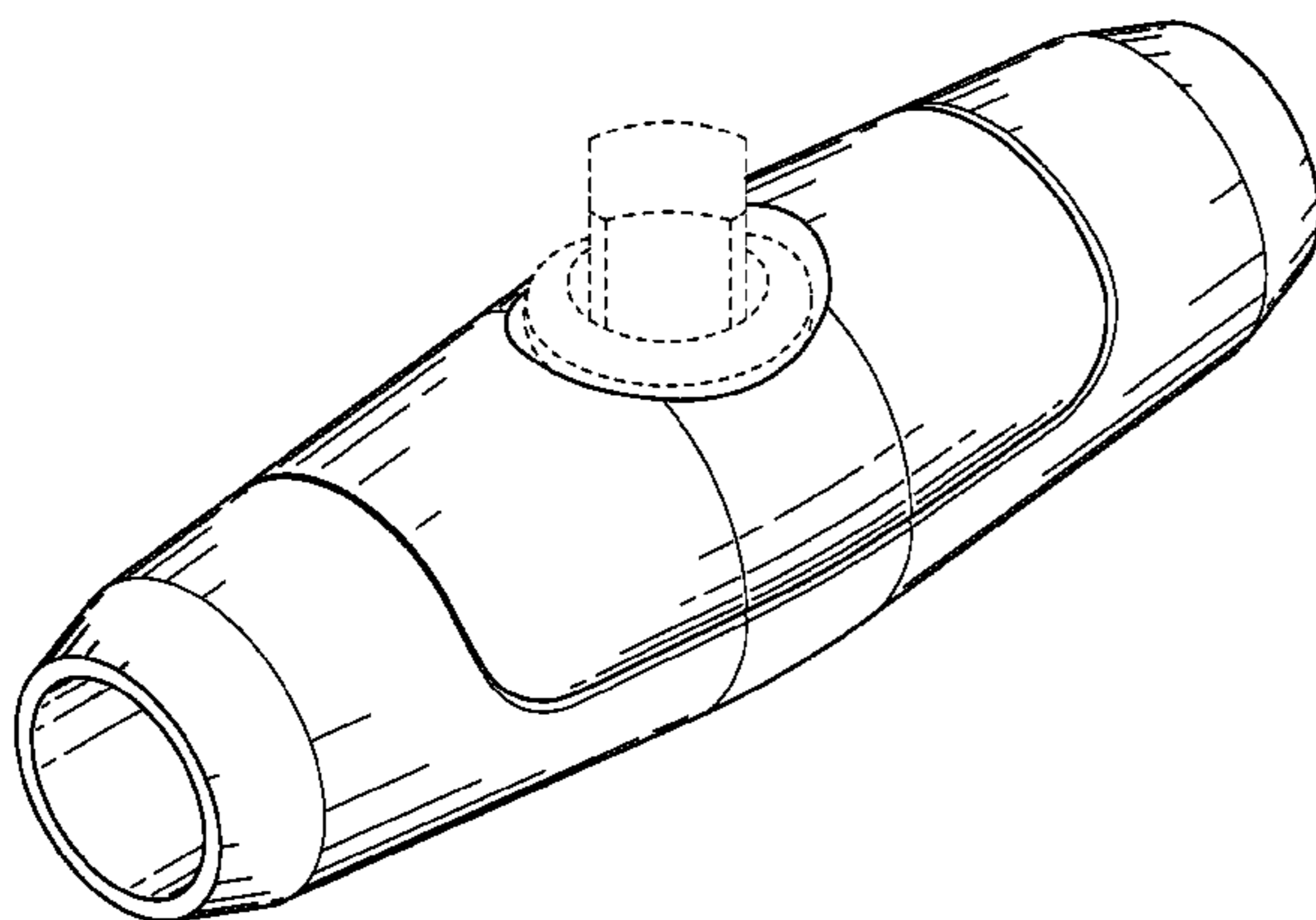


FIG. 1

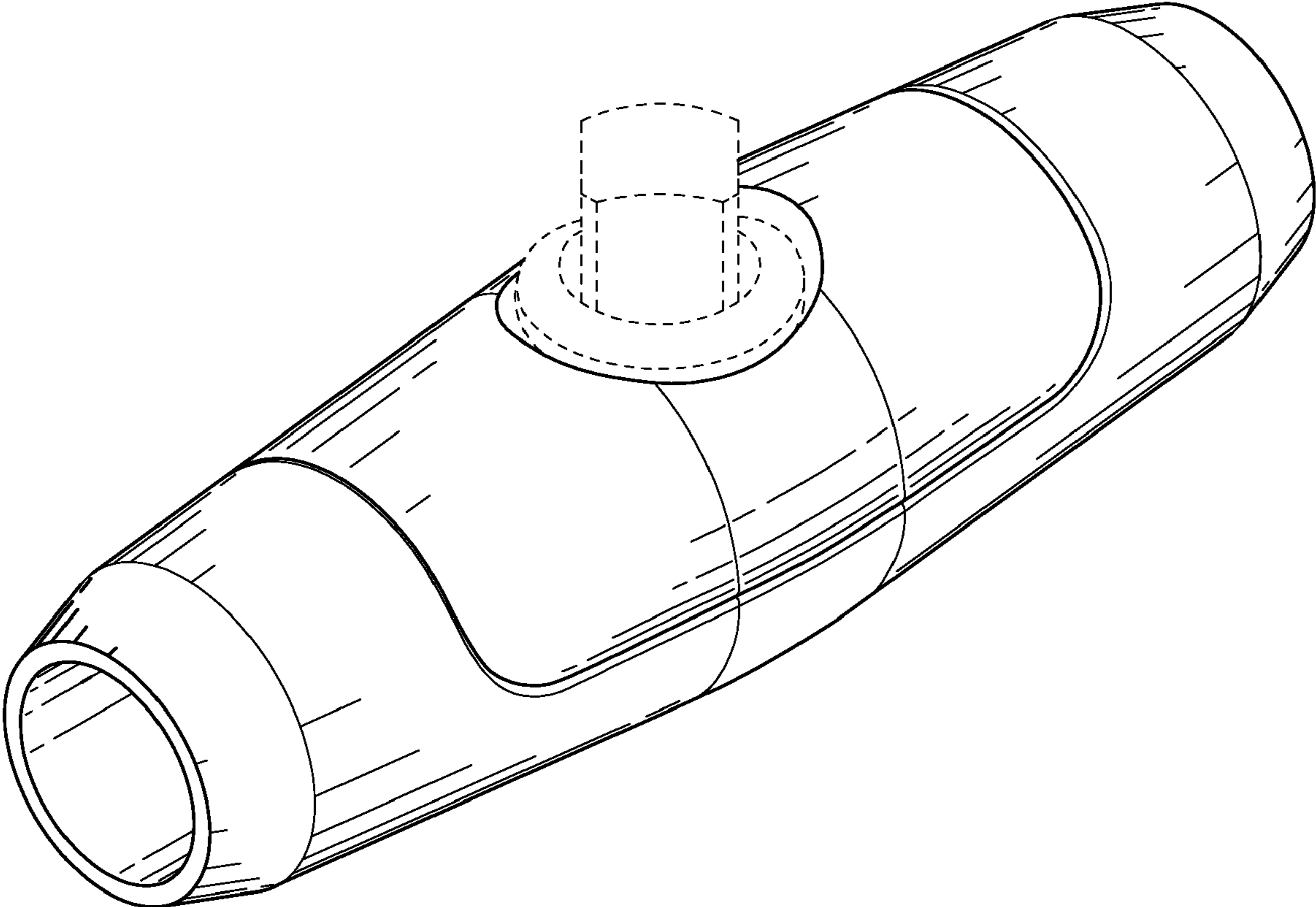


FIG. 2

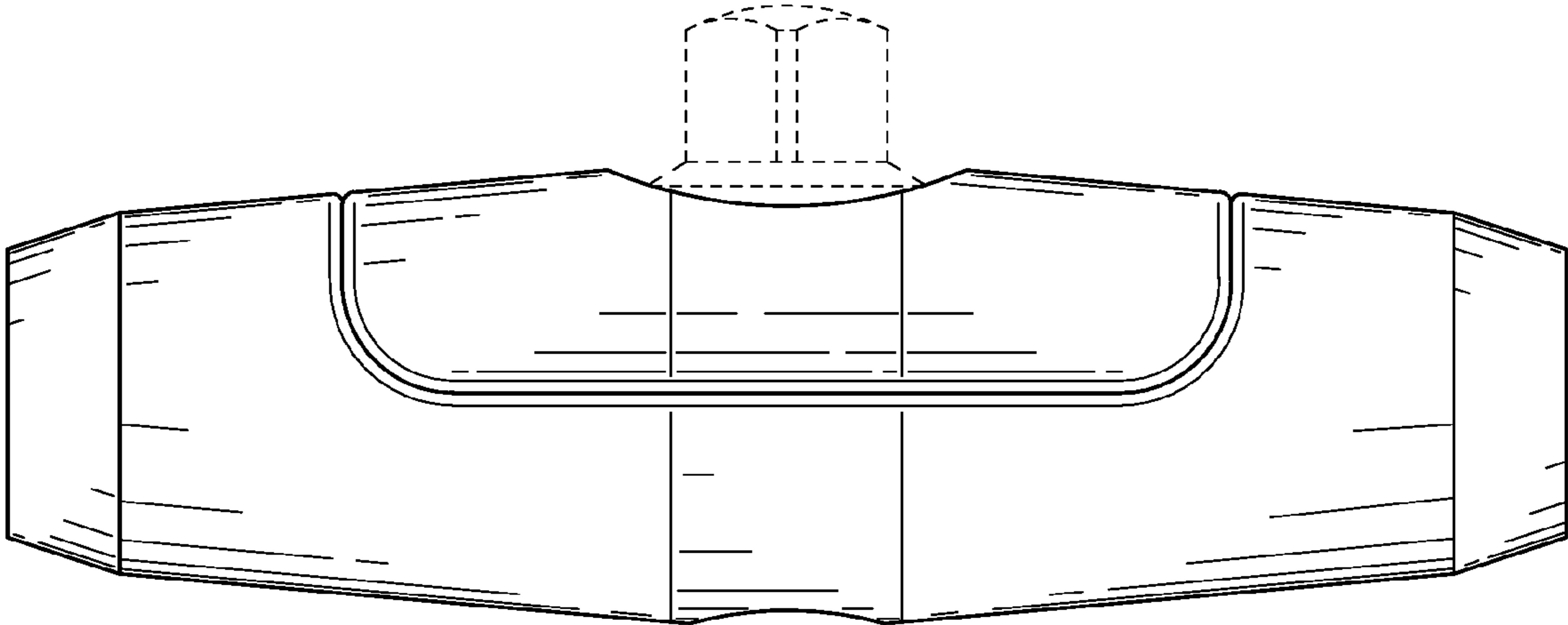


FIG. 3

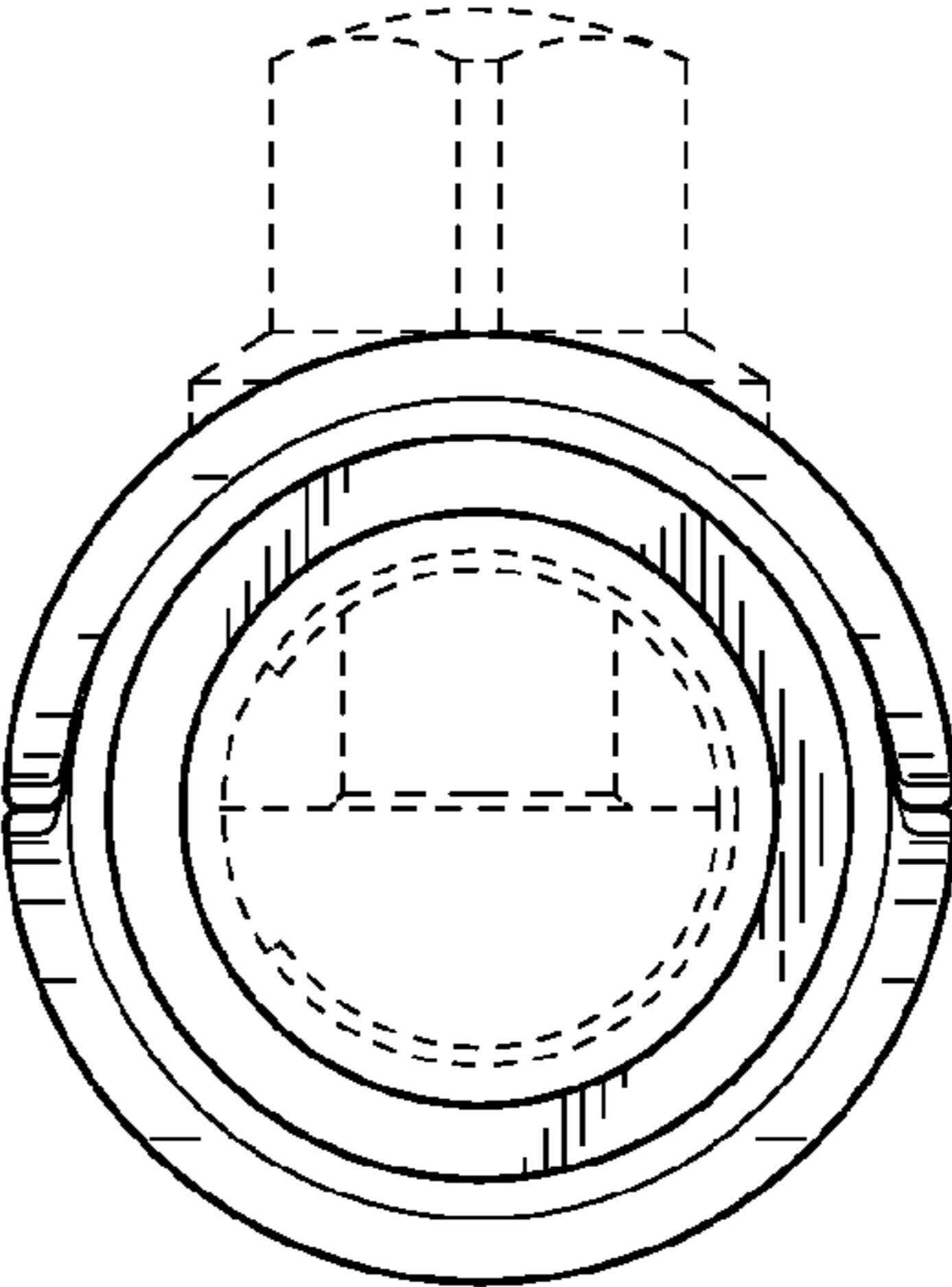


FIG. 4

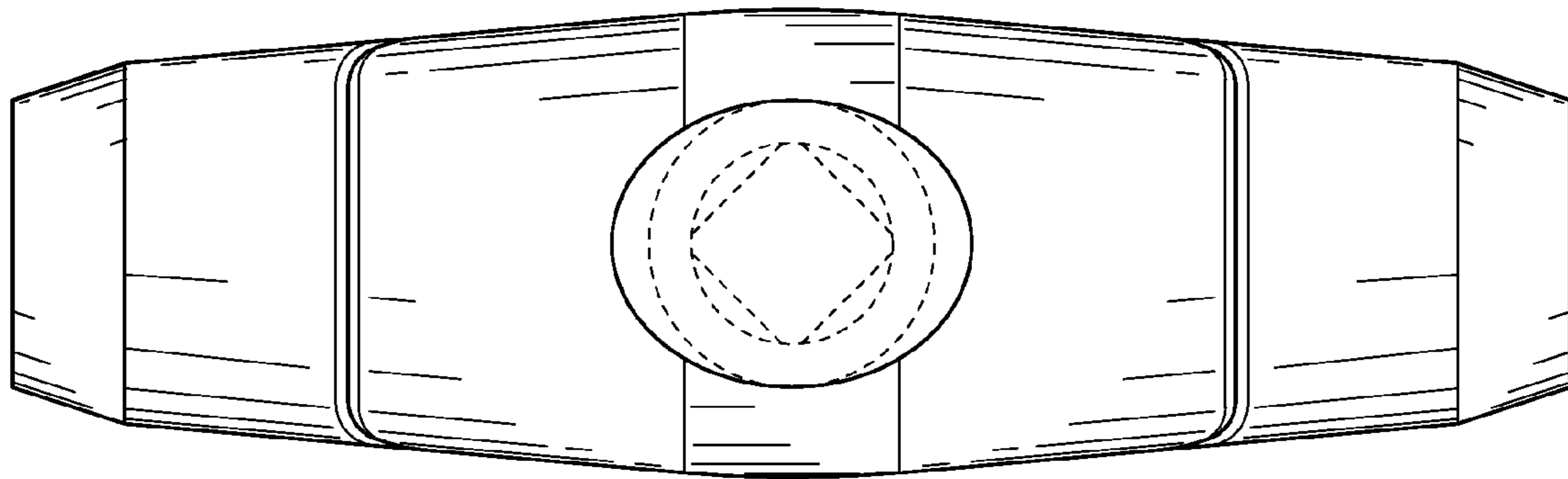


FIG. 5

