



US00D632787S

(12) **United States Design Patent**
Tenger et al.

(10) **Patent No.:** **US D632,787 S**
(45) **Date of Patent:** **** Feb. 15, 2011**

(54) **LARYNGOSCOPE HANDLE**

FOREIGN PATENT DOCUMENTS

(75) Inventors: **James P. Tenger**, Carlsbad, CA (US);
Leslie A. Tenger, Carlsbad, CA (US);
John R. Hicks, Carlsbad, CA (US)

KR 1020070044379 4/2007

(Continued)

(73) Assignee: **Intubrite, LLC**, Vista, CA (US)

OTHER PUBLICATIONS

(**) Term: **14 Years**

International Search Report and Written Opinion for PCT/US06/074878 dated Mar. 19, 2009.

(21) Appl. No.: **29/346,594**

Primary Examiner—Bridget L Eland

(22) Filed: **Nov. 3, 2009**

(74) *Attorney, Agent, or Firm*—Stephen C. Beuerle; Procopio, Cory, Hargreaves & Savitch LLP

(51) **LOC (9) Cl.** **24-02**

(52) **U.S. Cl.** **D24/133**

(58) **Field of Classification Search** D24/133,
D24/135, 136, 137, 138; 600/185–199, 184,
600/200; 606/196, 191–195, 197–200

See application file for complete search history.

(57) **CLAIM**

The ornamental design for a laryngoscope handle, as shown and described.

DESCRIPTION

(56) **References Cited**

U.S. PATENT DOCUMENTS

D185,398 S	6/1959	Todt	
2,951,482 A *	9/1960	Sullivan	606/176
4,384,570 A *	5/1983	Roberts	600/187
D271,135 S	10/1983	Greenblatt	
D297,363 S	8/1988	Salerno et al.	
4,782,819 A	11/1988	Adair	
4,947,896 A *	8/1990	Bartlett	600/187
D337,384 S	7/1993	Schucman	
D449,499 S	10/2001	Voges	
6,459,919 B1	10/2002	Lys et al.	
6,569,089 B1	5/2003	Covington et al.	
D491,267 S	6/2004	Ashraf	
6,809,499 B2	10/2004	Solingen	
6,875,169 B2 *	4/2005	Berci et al.	600/112
6,876,446 B2	4/2005	Taylor et al.	

FIG. 1 is a perspective view of an embodiment of the laryngoscope handle.

FIG. 2 is a left side elevational view of the laryngoscope handle.

FIG. 3 is a right side elevational view of the laryngoscope handle.

FIG. 4 is a rear elevational view of the laryngoscope handle.

FIG. 5 is a front elevational view of the laryngoscope handle.

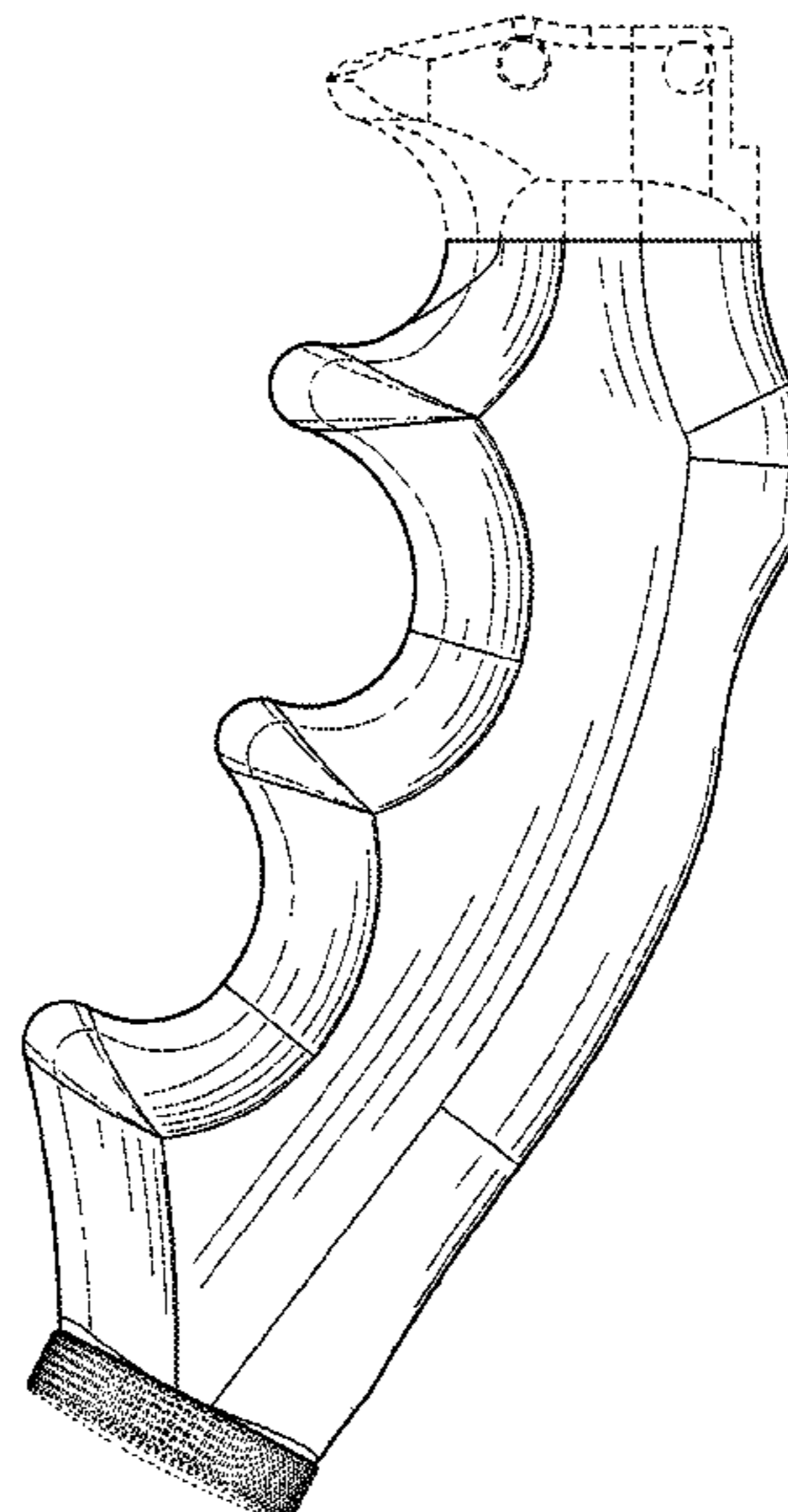
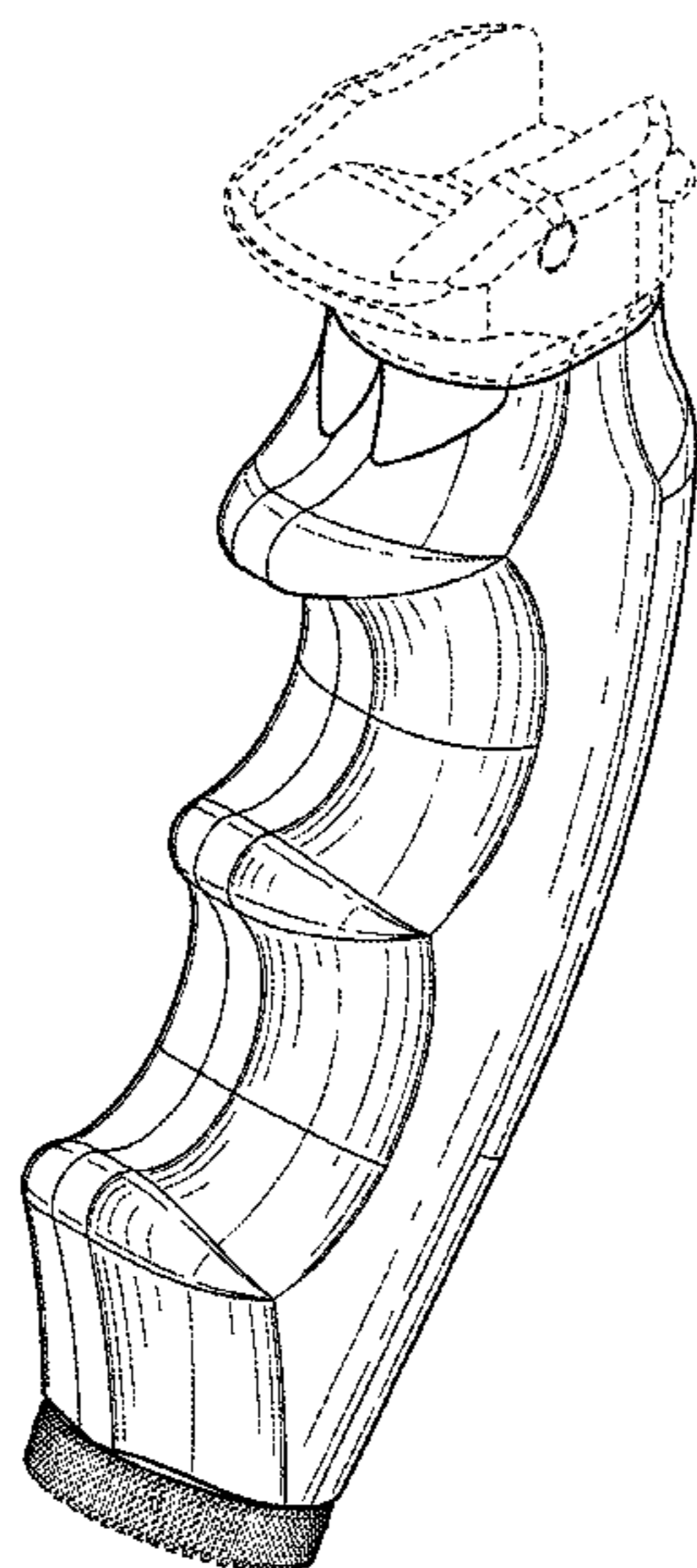
FIG. 6 is a top plan view of the laryngoscope handle; and,

FIG. 7 is a bottom plan view of the laryngoscope handle.

The broken lines immediately adjacent the claimed areas represent the bounds of the claimed design while all other broken lines are directed to environment and are for illustrative purposes only; the broken lines form no part of the claimed design.

(Continued)

1 Claim, 5 Drawing Sheets



US D632,787 S

Page 2

U.S. PATENT DOCUMENTS

D512,778 S 12/2005 Ashraf
7,052,456 B2 5/2006 Simon
D541,937 S 5/2007 Yee
D547,449 S 7/2007 Ashraf
D550,841 S * 9/2007 Berci et al. D24/137
D554,255 S 10/2007 Iqbal
7,308,296 B2 12/2007 Lys et al.
D559,982 S 1/2008 Iqbal
D581,532 S 11/2008 Cranton et al.
D592,306 S * 5/2009 Bigelow et al. D24/137
D608,889 S * 1/2010 Tenger et al. D24/137
D611,598 S * 3/2010 Tenger et al. D24/133
2003/0191459 A1 10/2003 Ganz et al.

2005/0159649 A1* 7/2005 Patel 600/194
2005/0192481 A1* 9/2005 Berci et al. 600/188
2006/0069314 A1 3/2006 Farr
2007/0276185 A1 11/2007 Gono et al.
2007/0276191 A1 11/2007 Selover et al.
2008/0015560 A1 1/2008 Gowda et al.
2008/0045800 A2 2/2008 Farr
2009/0318768 A1* 12/2009 Tenger et al. 600/194
2010/0121152 A1* 5/2010 Boedeker 600/187
2010/0152541 A1* 6/2010 Tenger et al. 600/194

FOREIGN PATENT DOCUMENTS

WO WO93/01170 6/1993

* cited by examiner

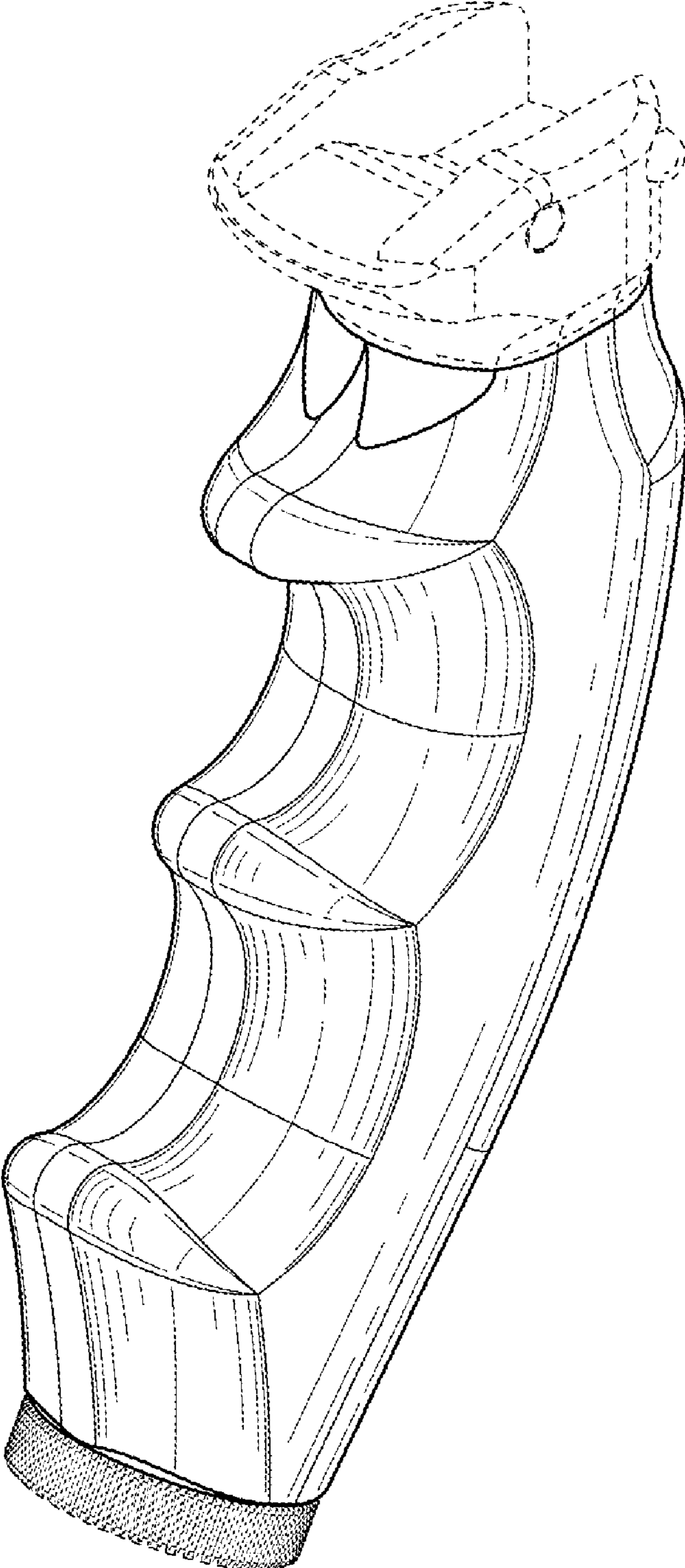


FIG. 1

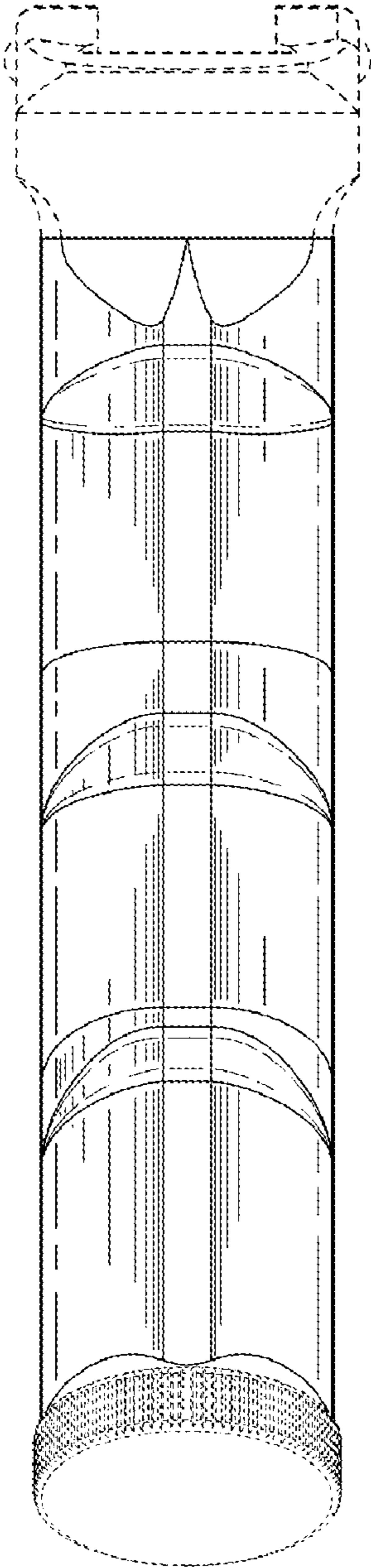


FIG. 2

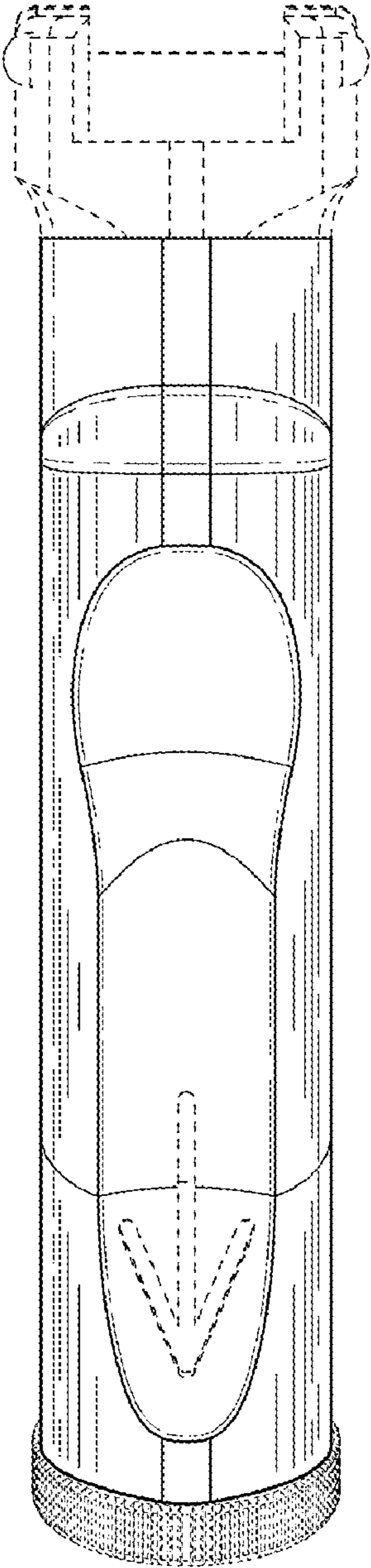


FIG. 3

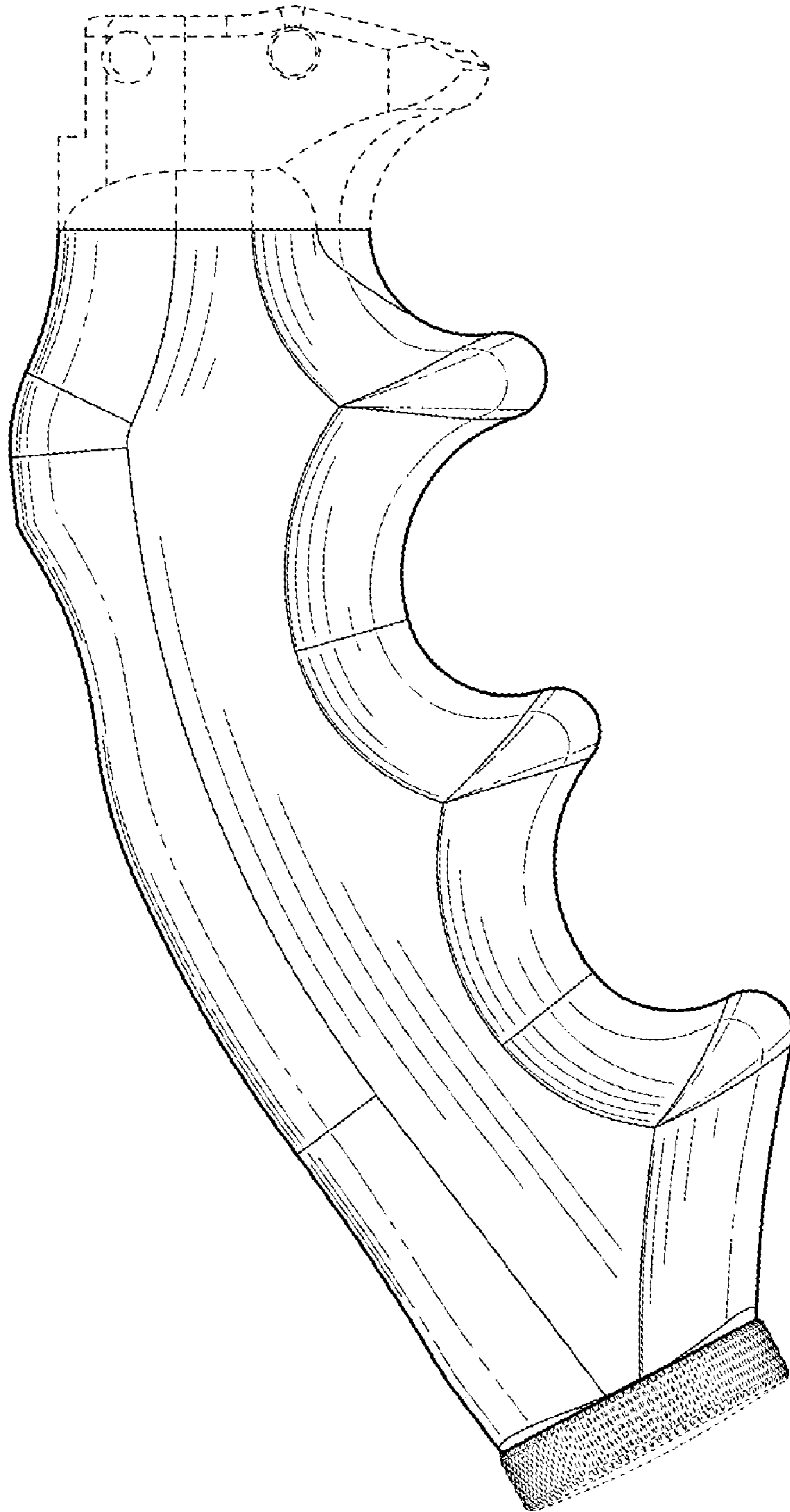


FIG. 4

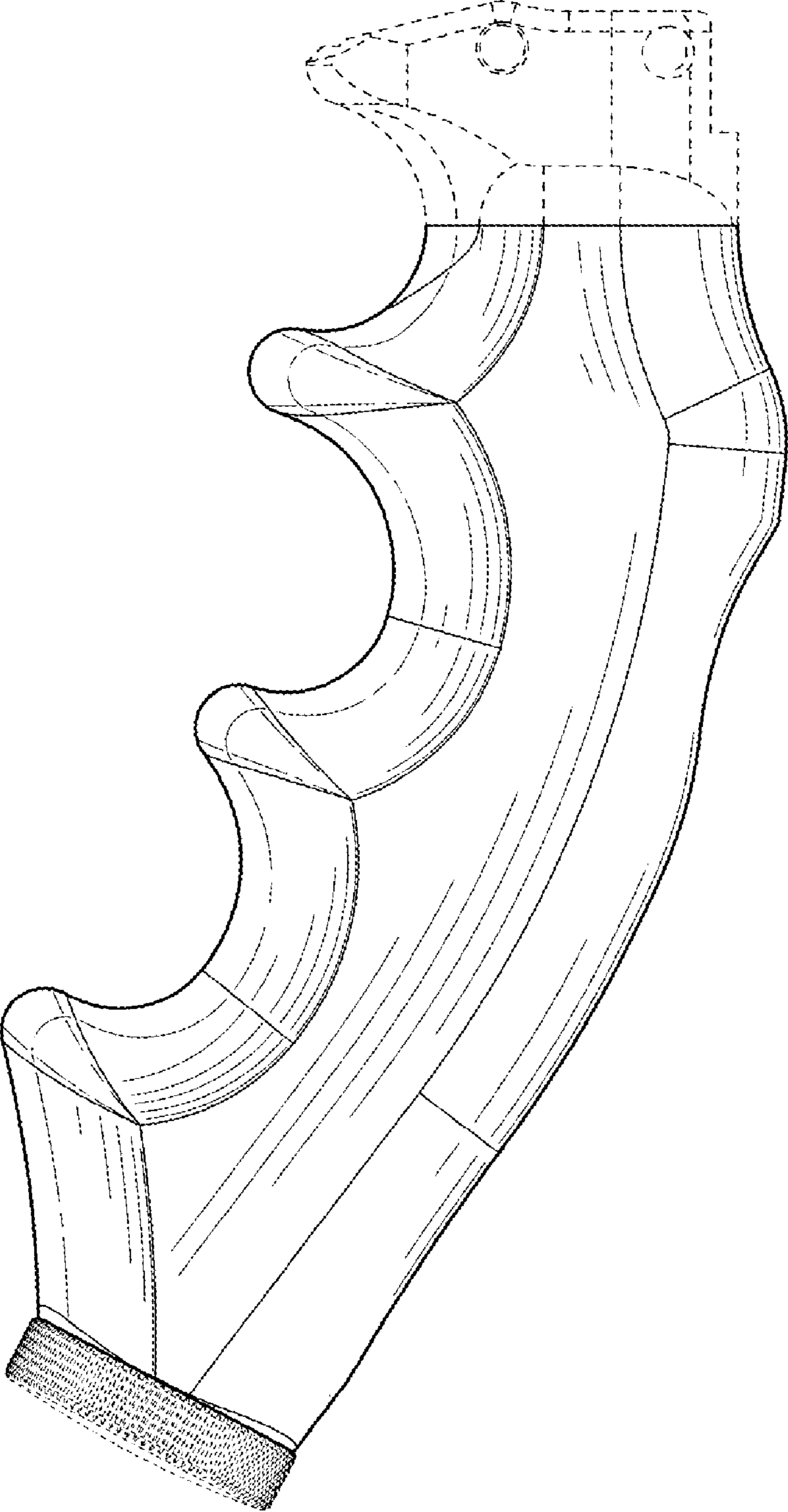


FIG. 5

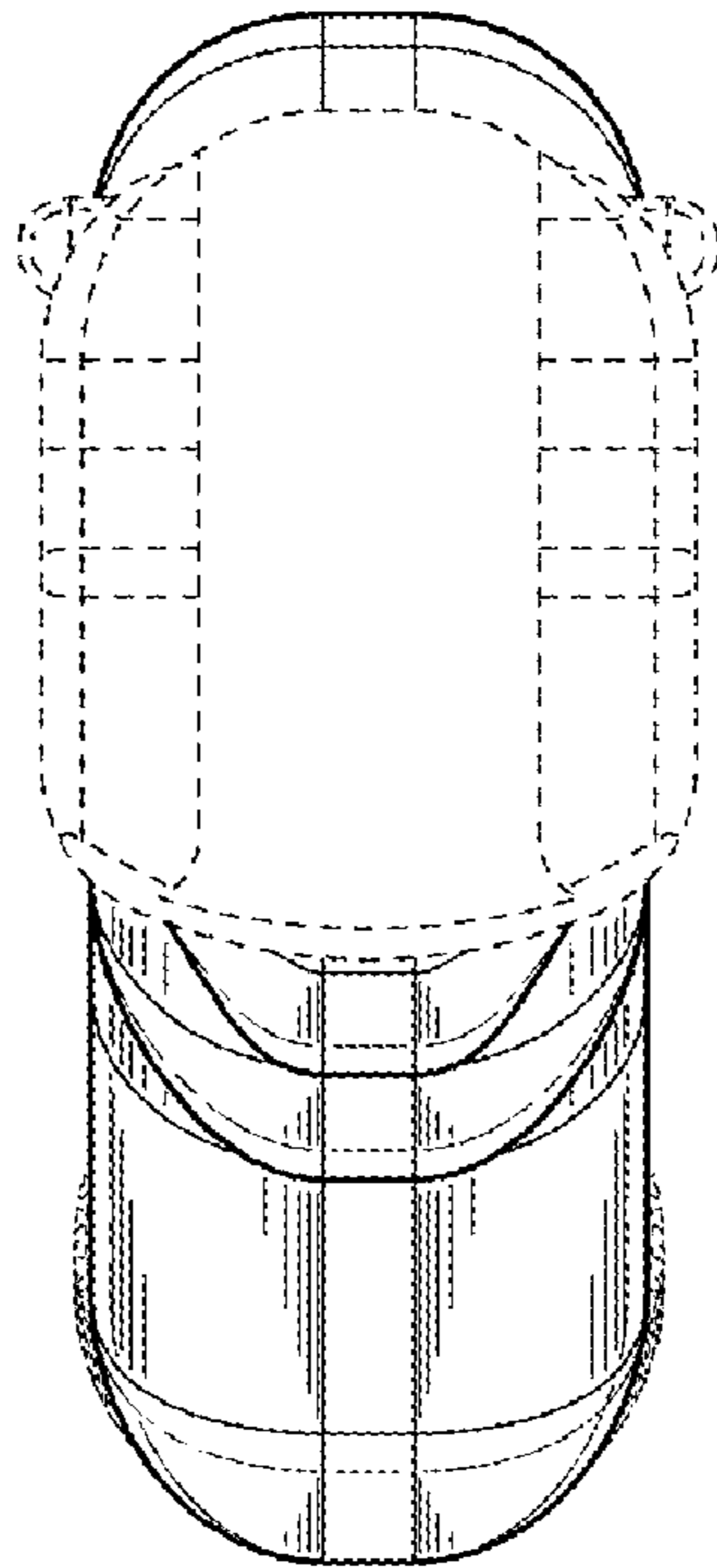


FIG. 6

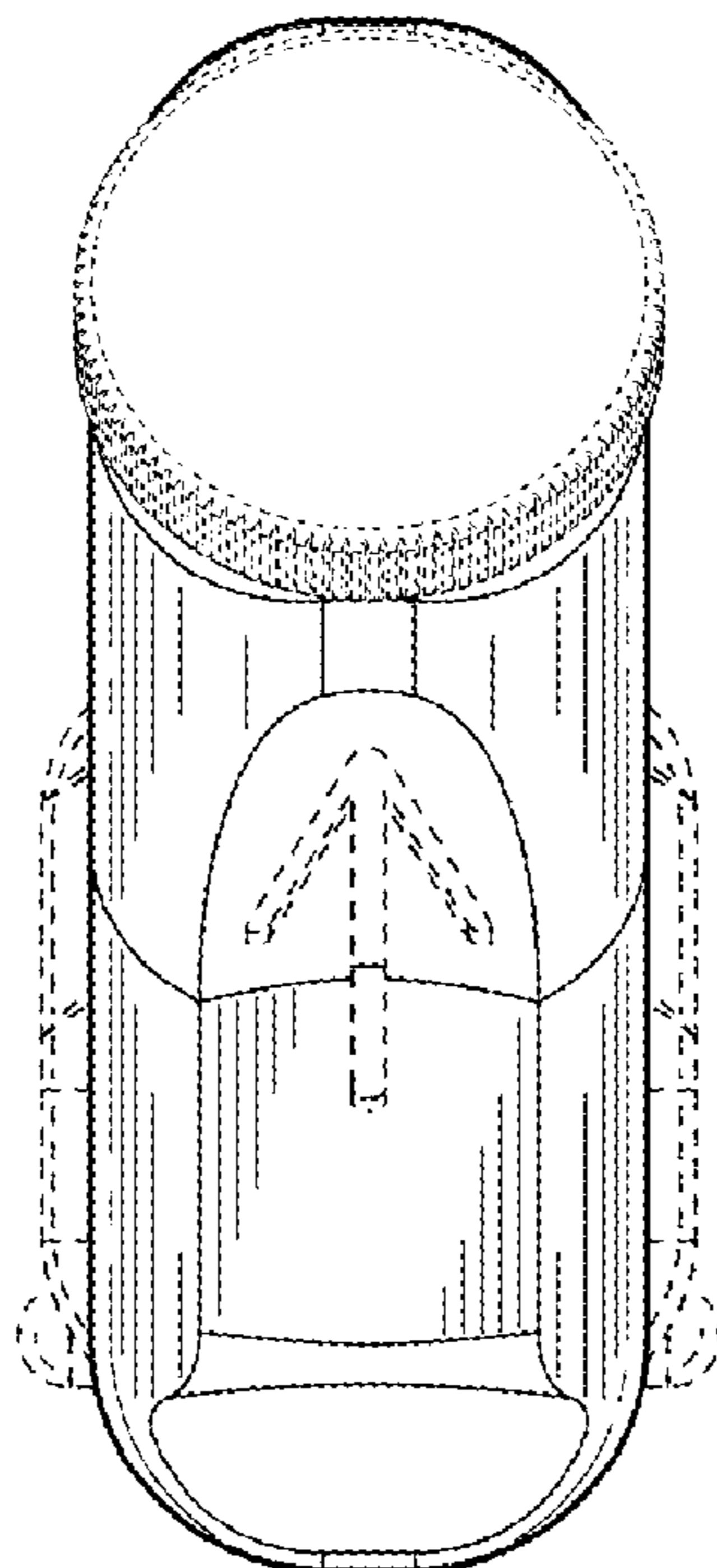


FIG. 7