



US00D632786S

(12) **United States Design Patent**
Risoli

(10) **Patent No.:** **US D632,786 S**
(45) **Date of Patent:** **** *Feb. 15, 2011**

(54) **HANDLE FOR A MEDICAL INSTRUMENT**

FOREIGN PATENT DOCUMENTS

(75) Inventor: **Fabio Risoli**, Steisslingen (DE)

EM 001110407-0005 * 3/2009

(73) Assignee: **Karl Storz GmbH & Co. KG** (DE)

(*) Notice: This patent is subject to a terminal disclaimer.

(Continued)

(**) Term: **14 Years**

OTHER PUBLICATIONS

(21) Appl. No.: **29/344,068**

Storz Advertising Literature—Arthroscopy, Sports Medicine Spine Surgery; 3rd Edition; Jan. 2008; 3 pages (pp. CV 101 and V 94).

(22) Filed: **Sep. 23, 2009**

(Continued)

(30) **Foreign Application Priority Data**

Primary Examiner—Bridget L Eland

Mar. 23, 2009 (EM) 001110407-0007

(74) *Attorney, Agent, or Firm*—St. Onge Steward Johnston & Reens LLC

(51) **LOC (9) Cl.** **24-02**

(57) **CLAIM**

(52) **U.S. Cl.** **D24/133; D24/138**

The ornamental design for a handle for a medical instrument, as shown and described.

(58) **Field of Classification Search** D24/133, D24/134, 135, 136, 137, 138, 139, 140, 141, D24/142, 143, 146, 150, 152, 144, 145, 147, D24/148, 149, 151, 153, 154, 127, 128, 129, D24/130, 107–108, 112, 111, 200; D23/233, D23/235; D8/40, 47, 57, 60, 67, 68, 69, D8/80, 82, 83, 84, 93, 94, 97, 107, 72, 73, D8/74, 52, 56; 600/101, 104, 105, 106, 109, 600/112, 131, 135, 160, 162, 431, 564, 568, 600/184, 220–223, 224, 225–227, 201–203, 600/210–218; 606/129, 186, 4, 5, 6, 7, 102, 606/86 A, 86 B, 119, 151, 157, 191–200; 81/9.22; 604/48

DESCRIPTION

See application file for complete search history.

FIG. 1 is a left side perspective view of a handle for a medical instrument in accordance with the new design;
FIG. 2 is a left side view thereof;
FIG. 3 is a right side view thereof;
FIG. 4 is a top perspective view thereof;
FIG. 5 is a bottom perspective view thereof;
FIG. 6 is a front perspective view thereof; and,
FIG. 7 is a rear perspective view thereof.

(56) **References Cited**

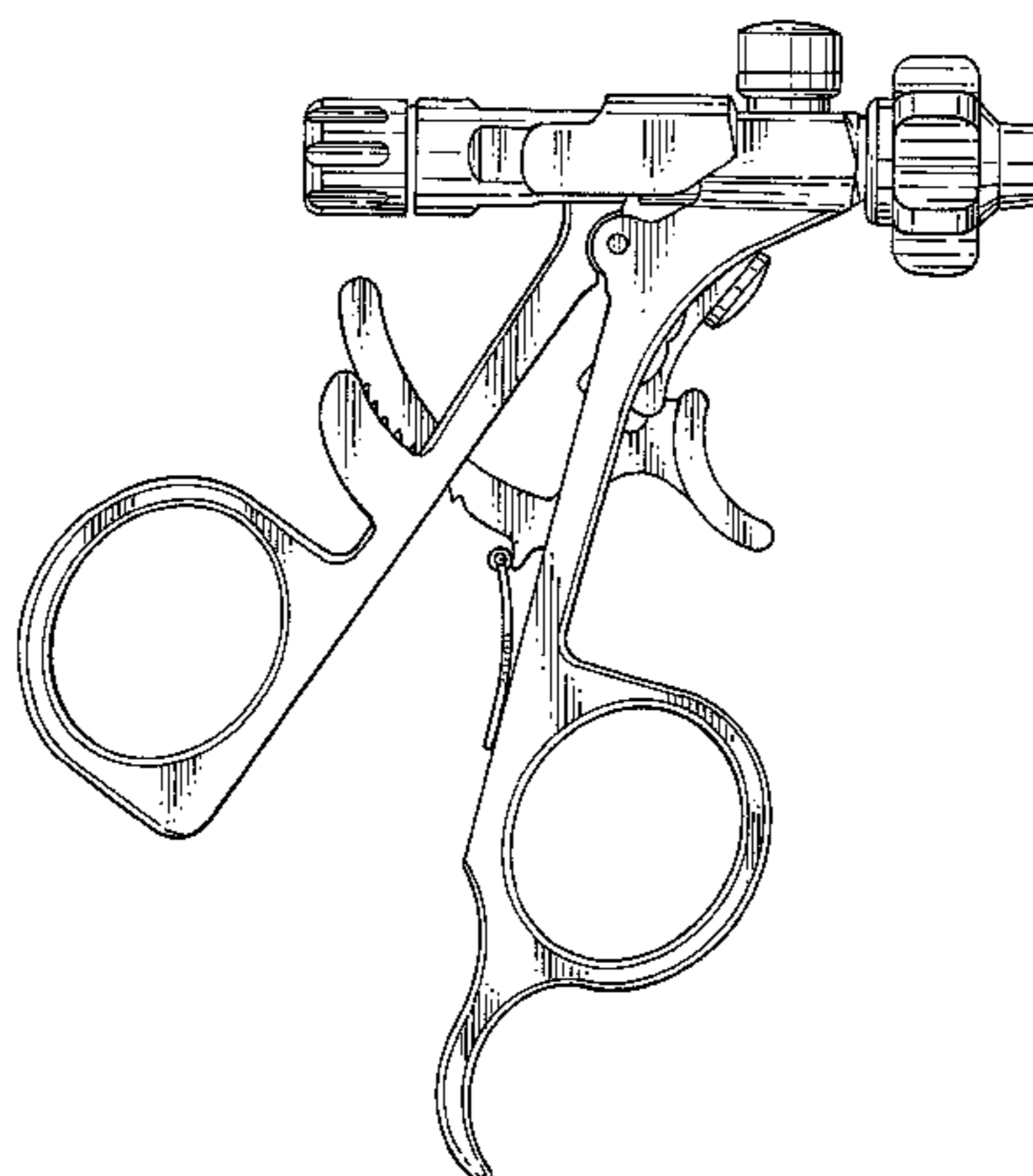
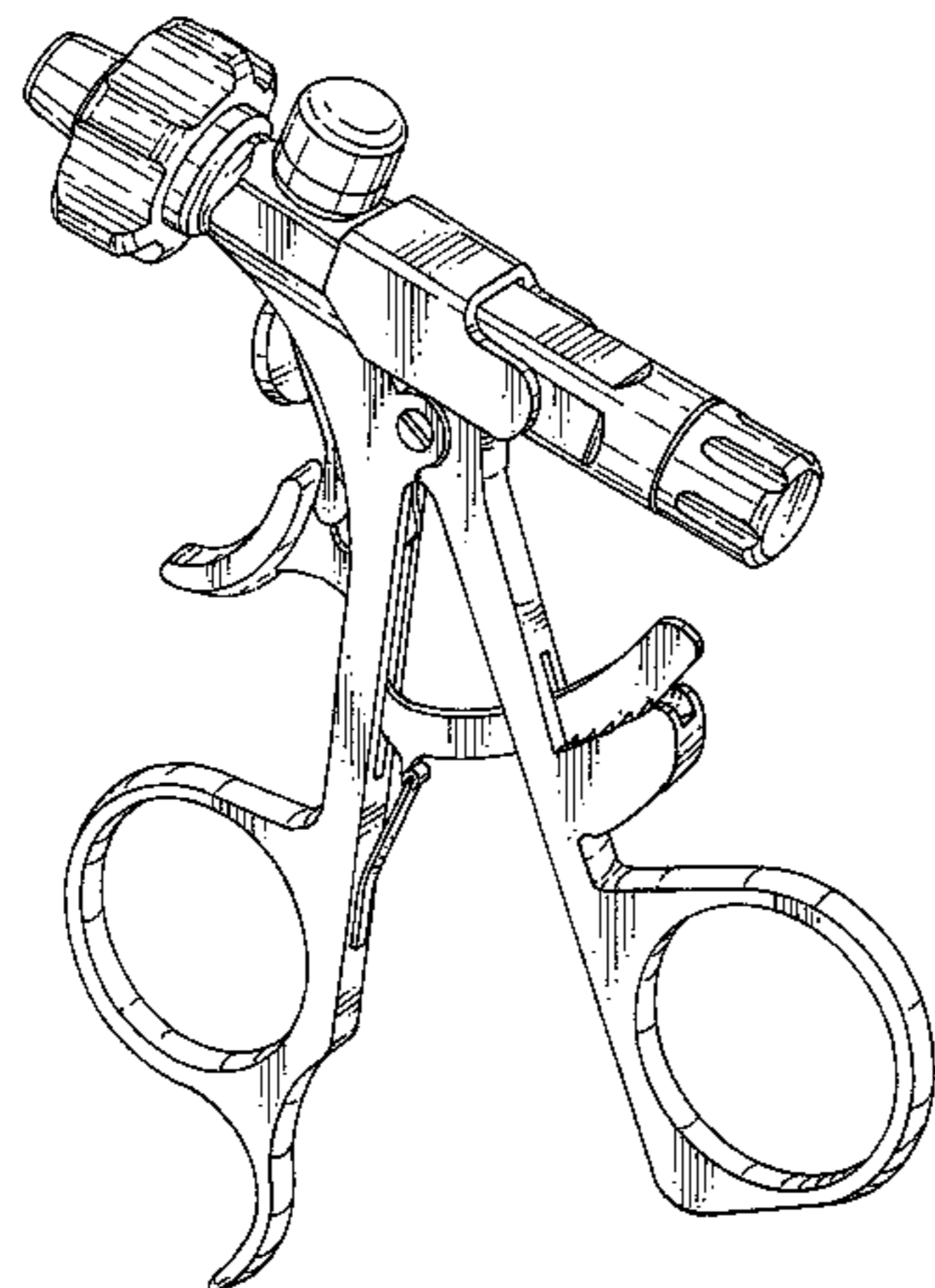
U.S. PATENT DOCUMENTS

3,914,866 A * 10/1975 Applegate 30/233.5
4,950,273 A * 8/1990 Briggs 606/113
5,174,300 A * 12/1992 Bales et al. 600/564
D350,606 S * 9/1994 Koros et al. D24/143
D354,564 S * 1/1995 Medema D24/145

The broken lines immediately adjacent the claimed areas represent the bounds of the claimed design while all other broken lines are directed to environment and are for illustrative purposes only; the broken lines form no part of the claimed design.

(Continued)

1 Claim, 5 Drawing Sheets



US D632,786 S

Page 2

U.S. PATENT DOCUMENTS

5,399,161 A * 3/1995 Williams et al. 604/358
5,474,056 A * 12/1995 Laborie et al. 600/214
D370,064 S * 5/1996 Livneh D24/146
D391,818 S * 3/1998 Carlson D8/57
D397,011 S * 8/1998 Rosier D8/68
5,947,996 A * 9/1999 Logeman 606/205
5,951,465 A * 9/1999 Schiff et al. 600/224
D416,089 S * 11/1999 Barton et al. D24/145
6,261,294 B1 * 7/2001 Stihl et al. 606/83
D457,958 S * 5/2002 Dycus et al. D24/144
D505,725 S * 5/2005 Karl-Heinz D24/146
D536,444 S * 2/2007 Bacher et al. D24/133
D536,445 S * 2/2007 Bacher et al. D24/133
D541,416 S * 4/2007 Baehr et al. D24/133
D548,836 S * 8/2007 Lang et al. D24/146

D557,415 S * 12/2007 Bacher et al. D24/133
D568,470 S * 5/2008 Mouret D24/135
D580,548 S * 11/2008 Mouret D24/133
D583,941 S * 12/2008 Leroy D24/135
D605,761 S * 12/2009 Stefan D24/143
2008/0242937 A1 * 10/2008 DiNucci 600/201

FOREIGN PATENT DOCUMENTS

EM 001110407-0006 * 3/2009
EM 001110407-0007 * 3/2009
EM 001110407-0008 * 3/2009

OTHER PUBLICATIONS

Storz Advertising Literature—Laparoscopy; 6th Edition; Jan. 2007;
2 pages (p. 101).

* cited by examiner

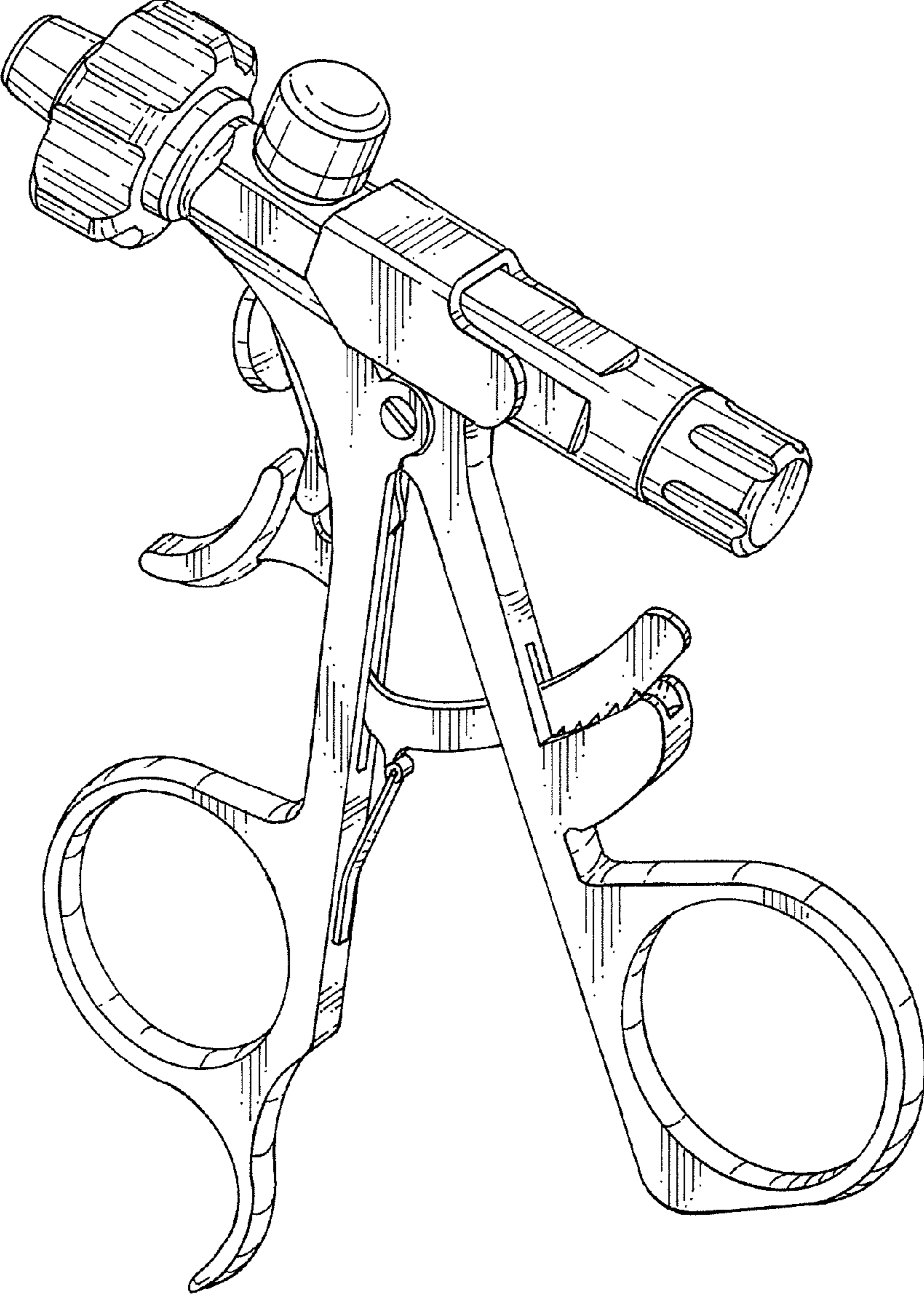


FIG. 1

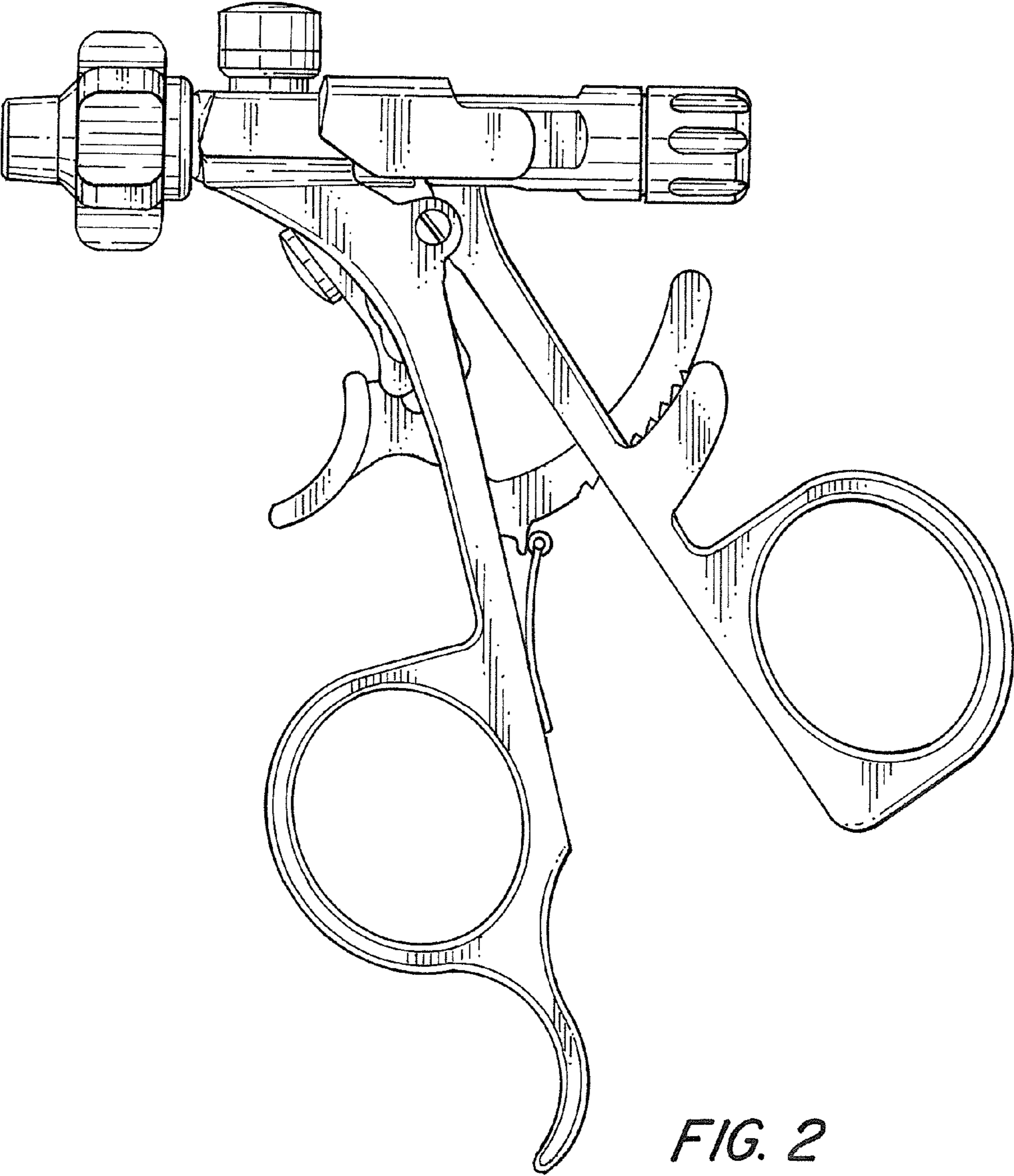
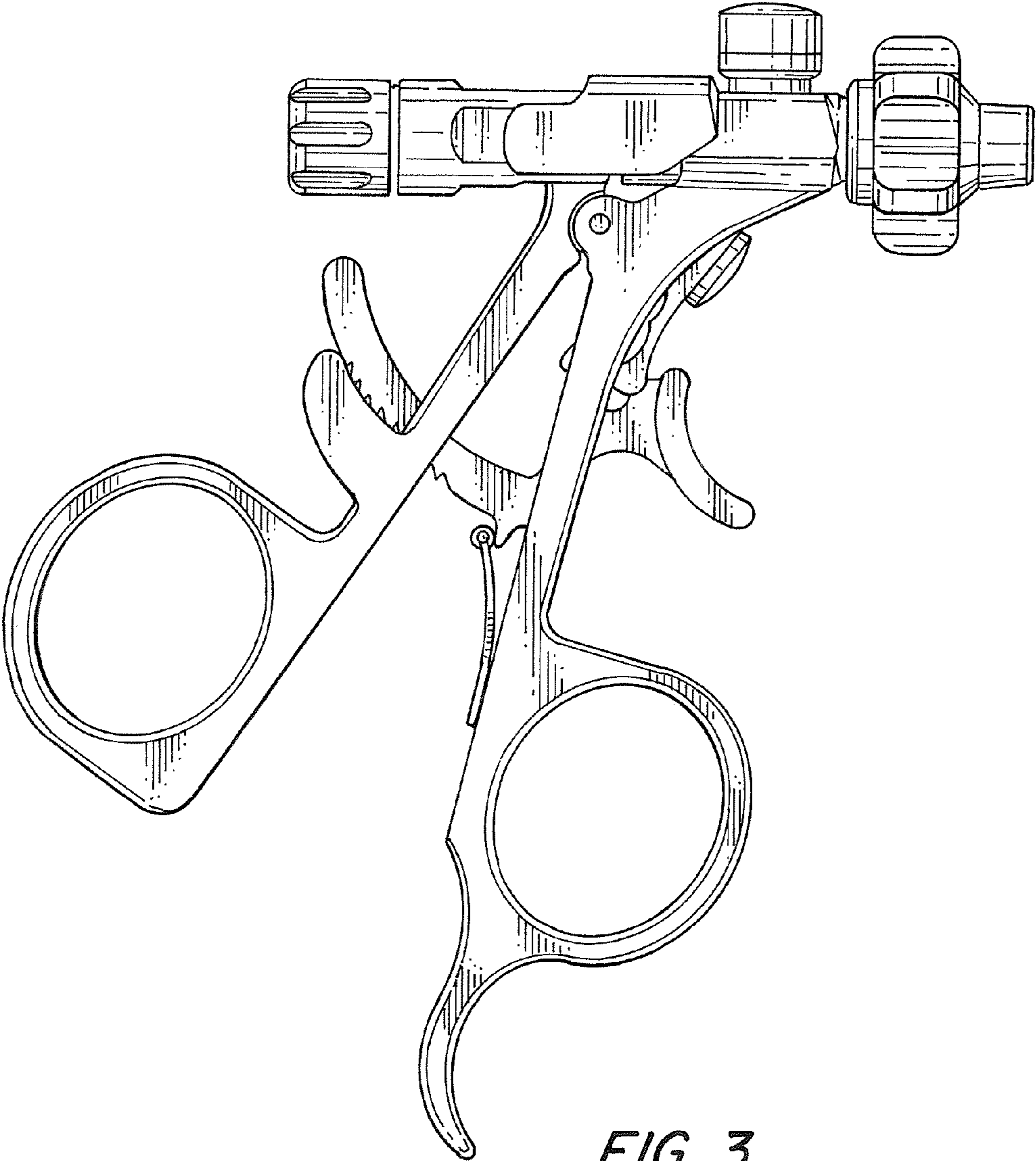


FIG. 2



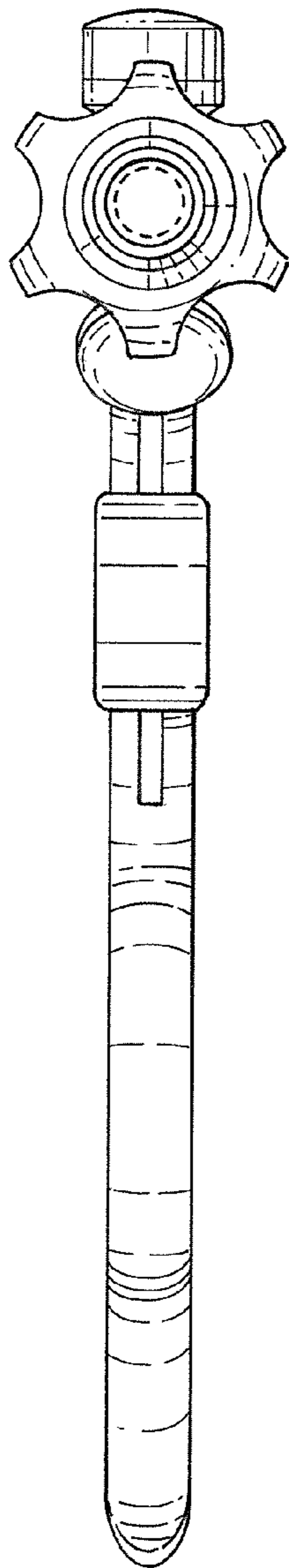


FIG. 4

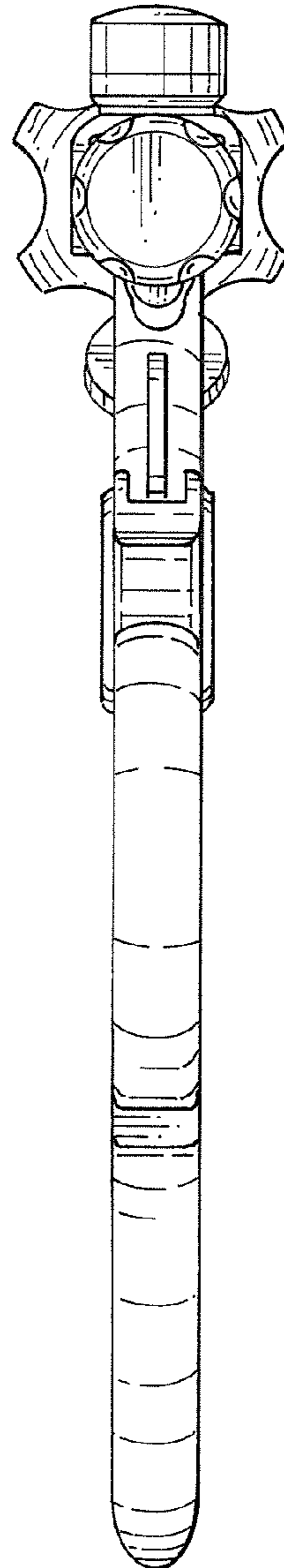


FIG. 5

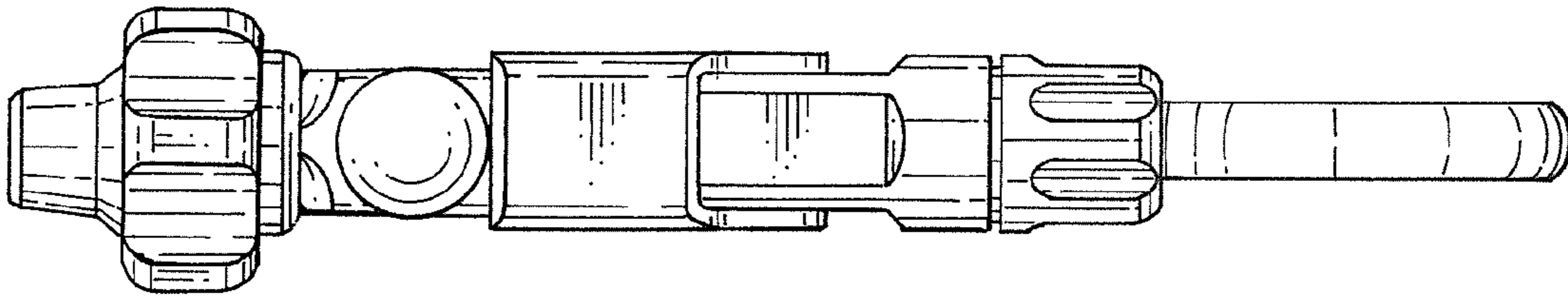


FIG. 6

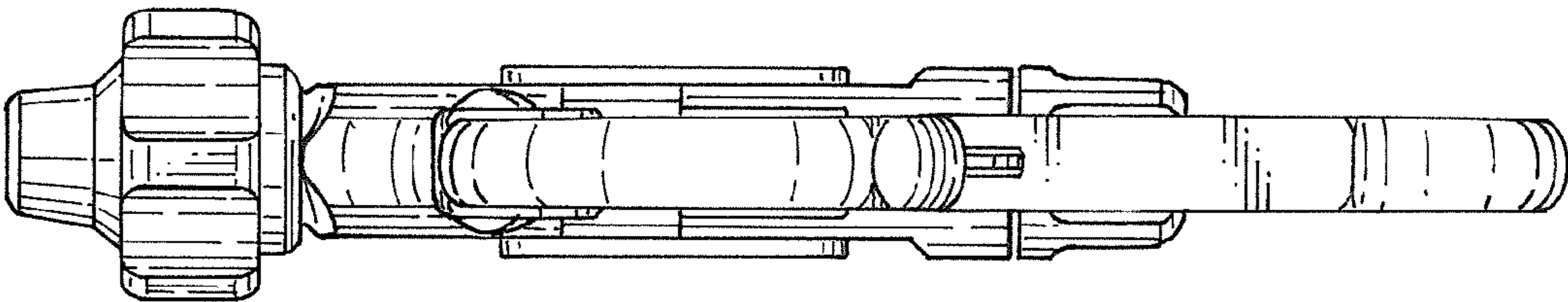


FIG. 7