

US00D632780S

(12) **United States Design Patent**  
**Pan**

(10) **Patent No.:** **US D632,780 S**

(45) **Date of Patent:** **\*\* Feb. 15, 2011**

(54) **HANGER ASSEMBLY FOR A CEILING FAN**

7,621,498 B2 \* 11/2009 Tang ..... 248/343

(75) Inventor: **Peter Pan**, Shetzu (TW)

\* cited by examiner

(73) Assignee: **Air Cool Industrial Co., Ltd.**, Taichung County (TW)

*Primary Examiner*—Lisa P Lichtenstein  
(74) *Attorney, Agent, or Firm*—Ming Chow; Sinorica, LLC

(\*\*) Term: **14 Years**

(57) **CLAIM**

(21) Appl. No.: **29/364,622**

I claim the ornamental design for a hanger assembly for a ceiling fan, as shown and described.

(22) Filed: **Jun. 25, 2010**

(51) **LOC (9) Cl.** ..... **23-04**

(52) **U.S. Cl.** ..... **D23/411**

(58) **Field of Classification Search** ..... D23/377,  
D23/379, 385, 411, 413; 416/5

See application file for complete search history.

**DESCRIPTION**

(56) **References Cited**

U.S. PATENT DOCUMENTS

D517,195 S *	3/2006	Hidalgo	.....	D23/411
7,261,520 B2 *	8/2007	Wang	.....	416/244 R
D570,468 S *	6/2008	Flores	.....	D23/411
7,510,160 B1 *	3/2009	Wang	.....	248/343

FIG. 1 is a front perspective view of a hanger assembly for a ceiling fan showing my new design;

FIG. 2 is a front elevational view thereof;

FIG. 3 is a rear elevational view thereof.

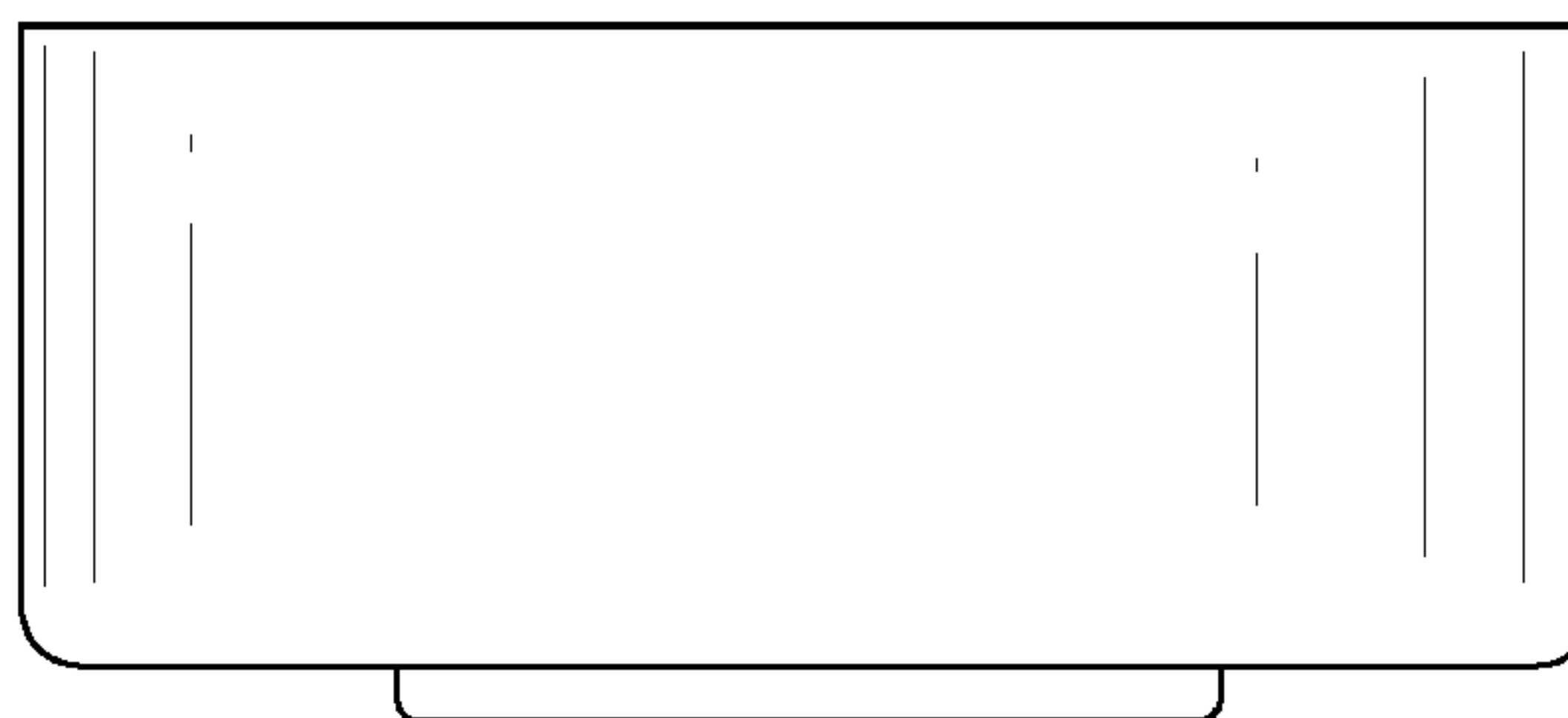
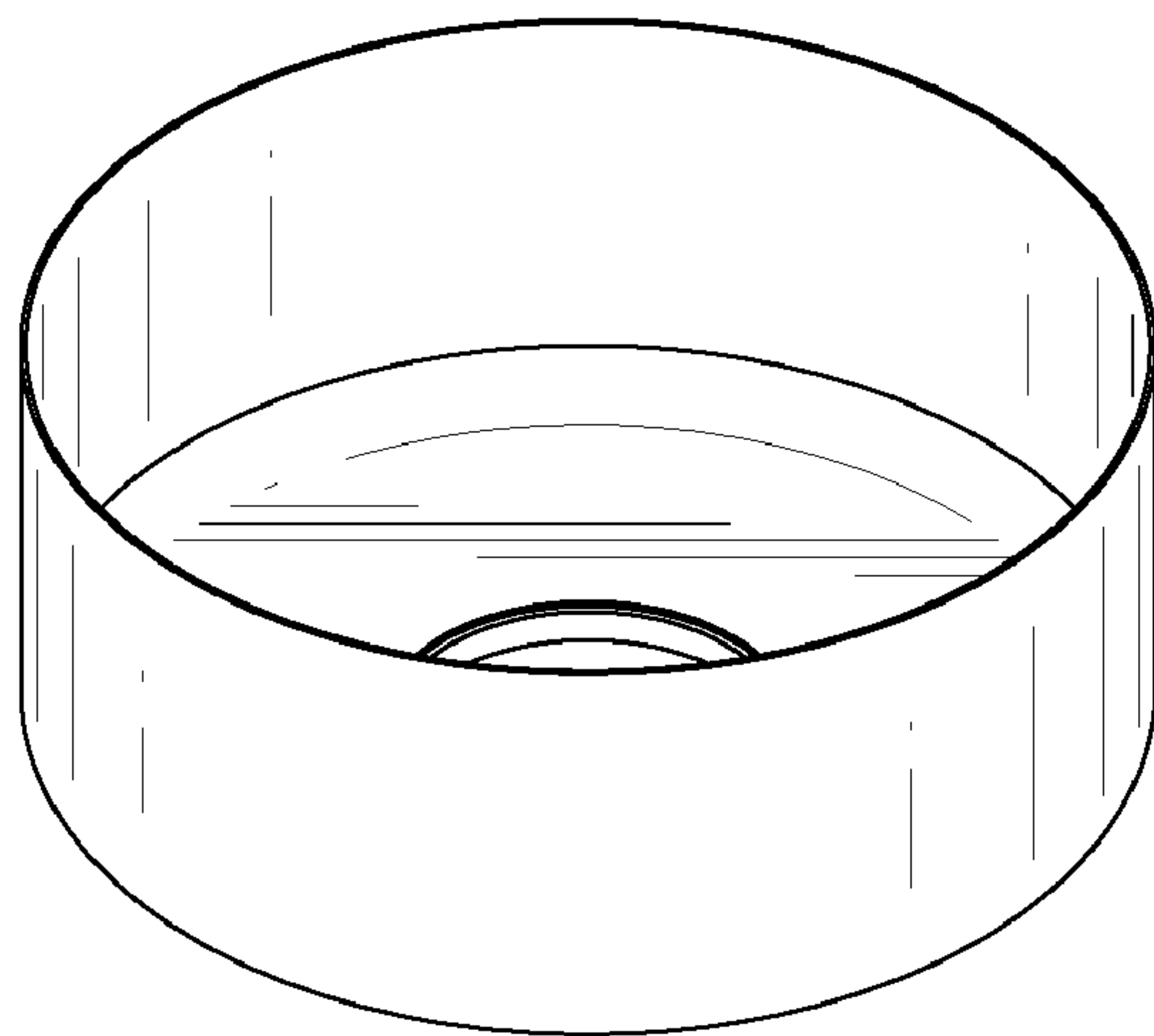
FIG. 4 is a left side elevational view thereof;

FIG. 5 is a right side elevational view thereof;

FIG. 6 is a top plan view thereof; and,

FIG. 7 is a bottom plan view thereof.

**1 Claim, 4 Drawing Sheets**



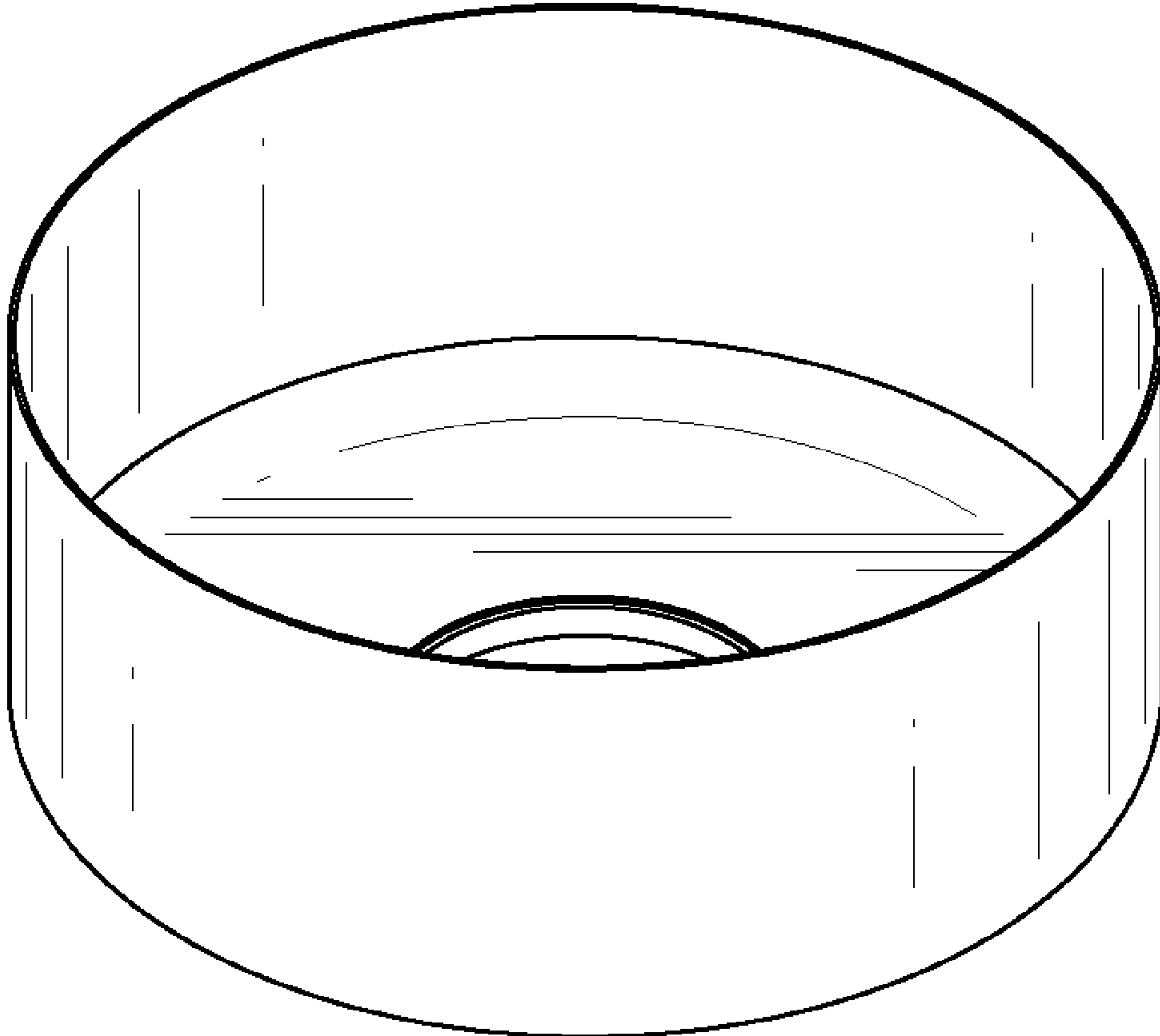


FIG. 1



FIG. 2

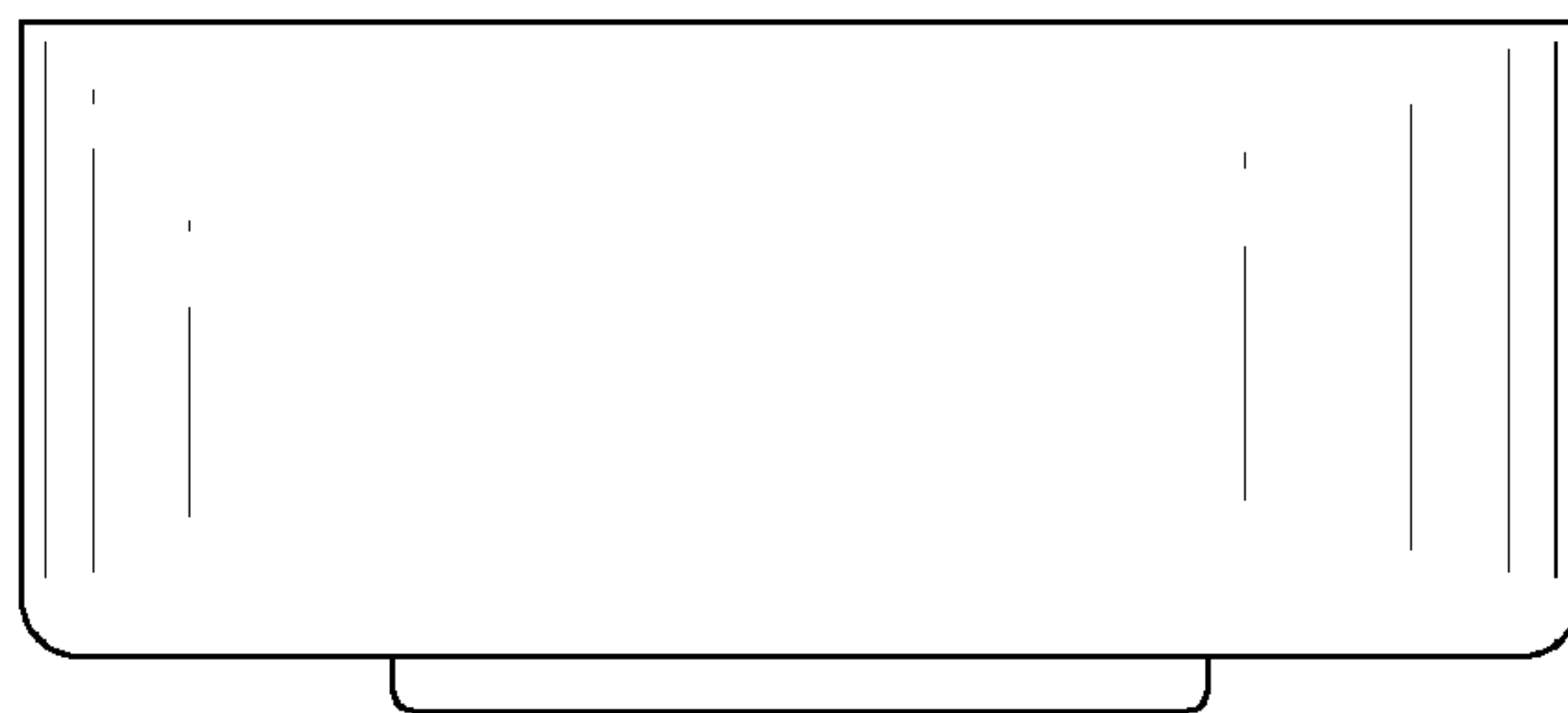


FIG. 3

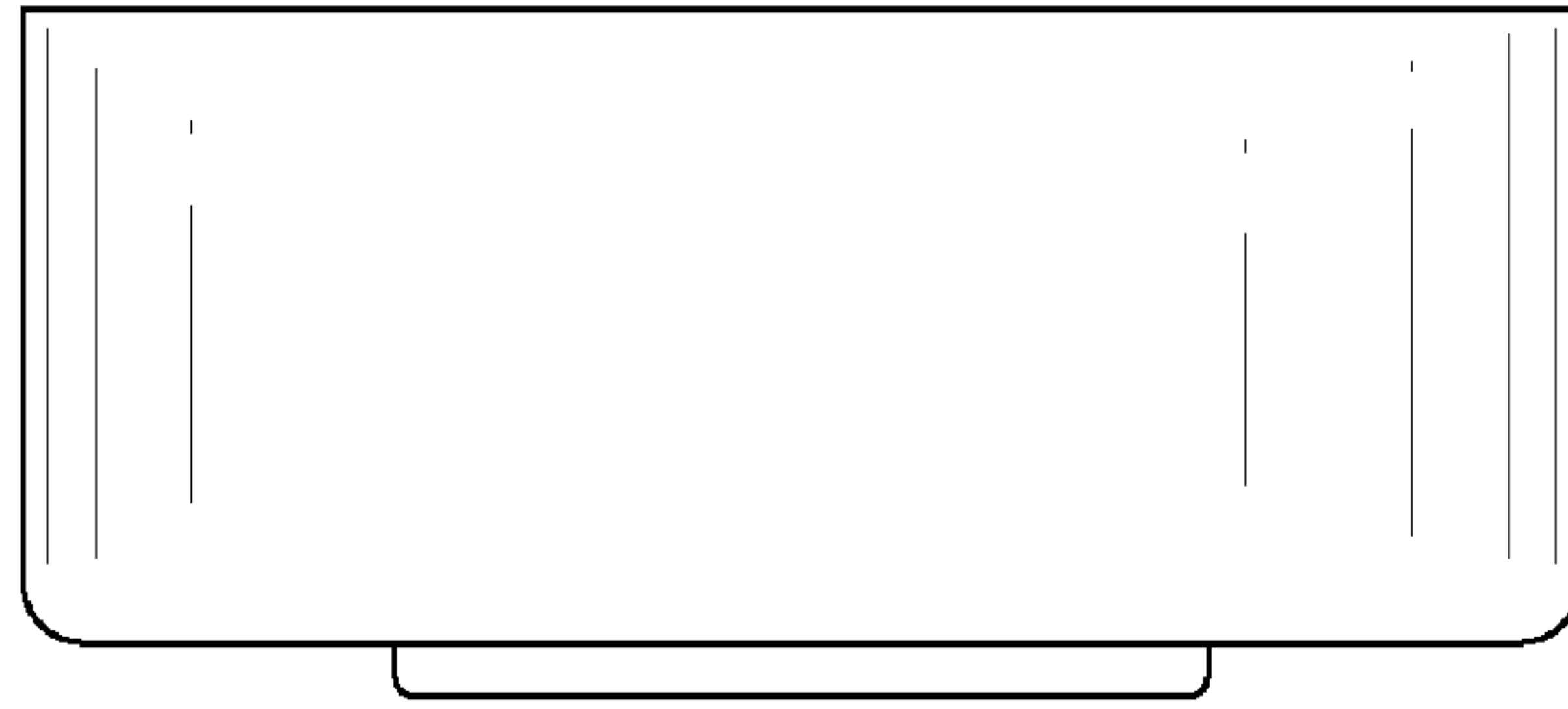


FIG. 4

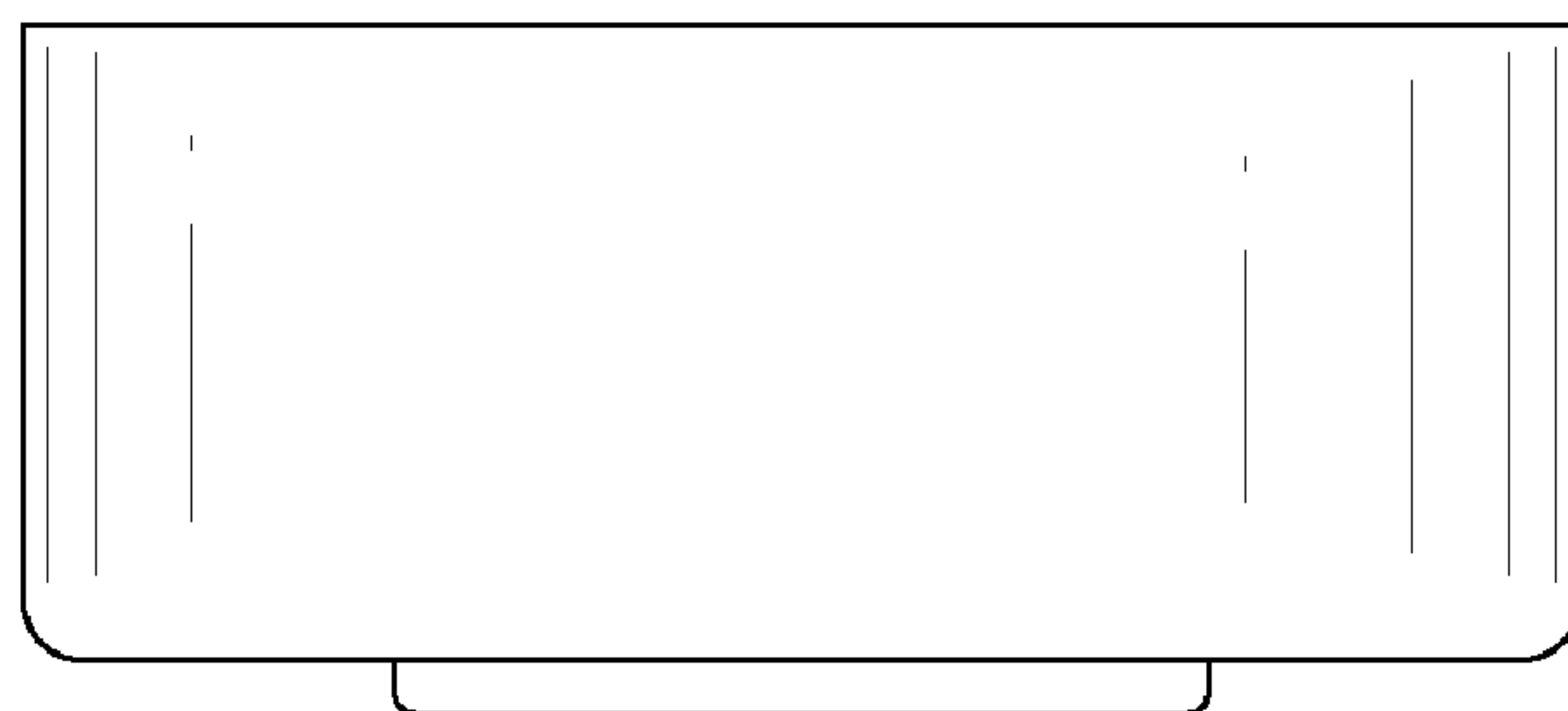


FIG. 5

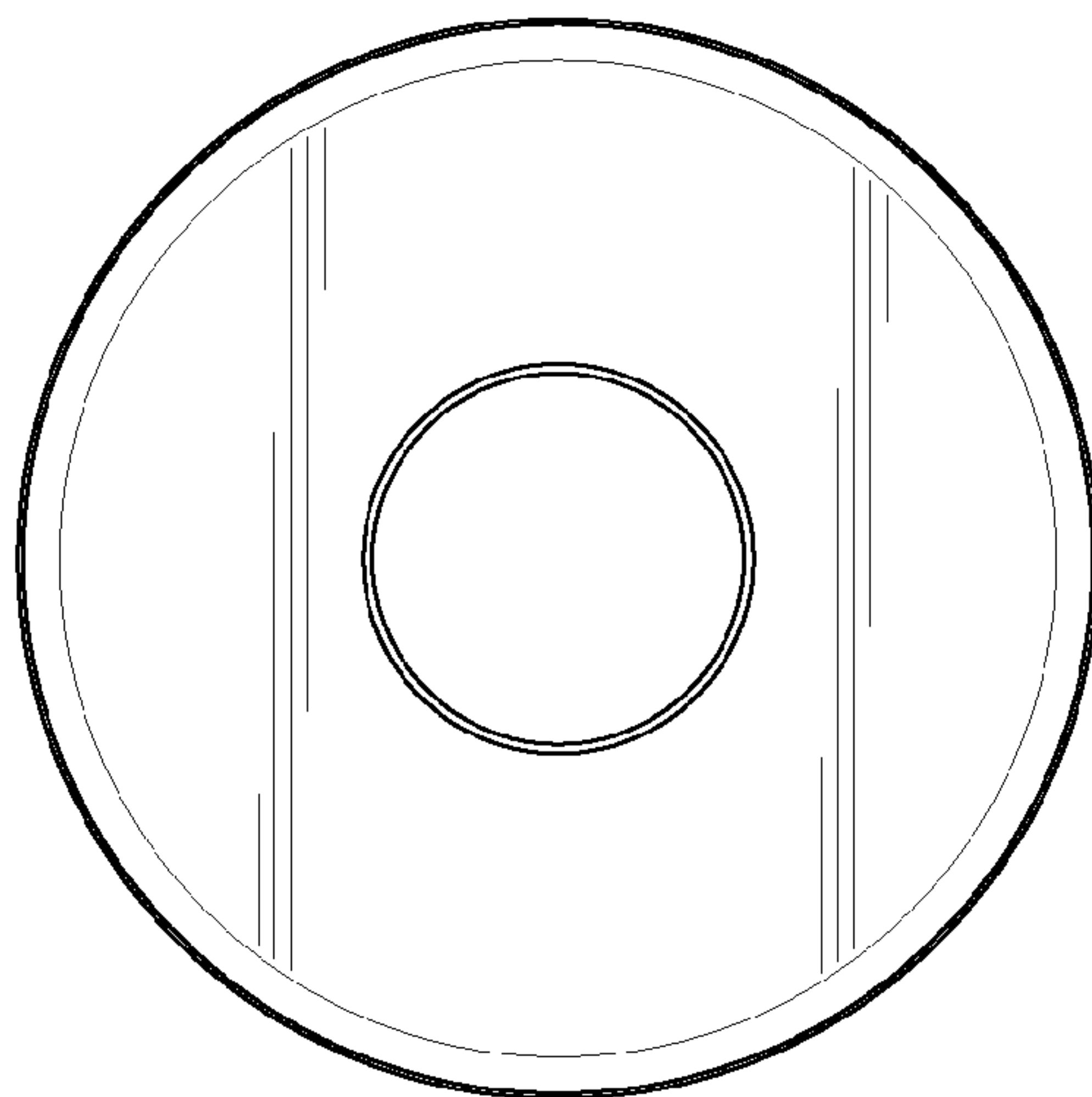


FIG. 6

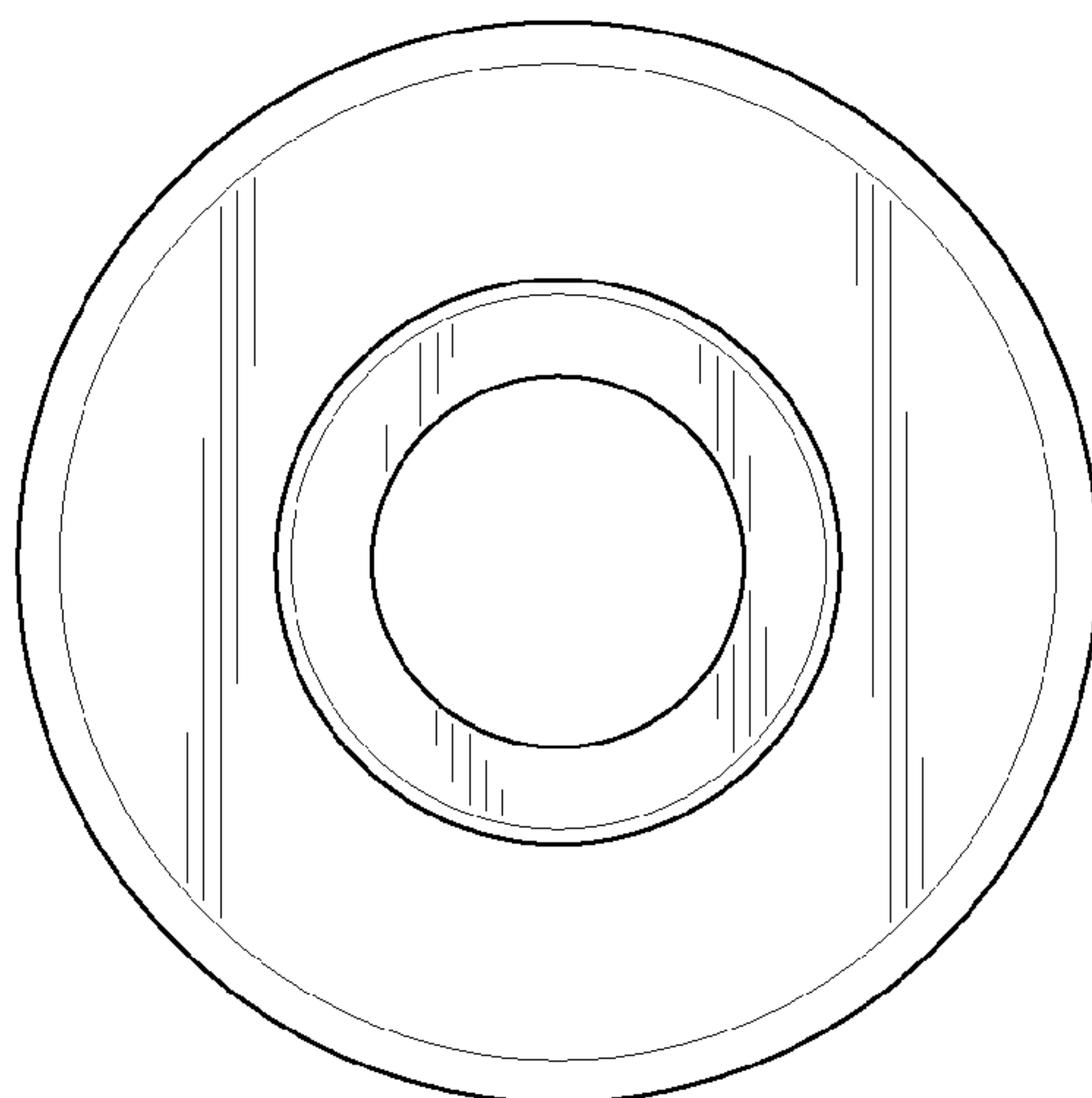


FIG. 7