



US00D632778S

(12) **United States Design Patent**  
**Spaggiari**

(10) **Patent No.:** **US D632,778 S**

(45) **Date of Patent:** **\*\* Feb. 15, 2011**

(54) **HUB OF AN AXIAL FAN**

(75) Inventor: **Alessandro Spaggiari**, Correggio (IT)

(73) Assignee: **Spal Automotive S.R.L.**, Correggio (IT)

(\*\*) Term: **14 Years**

(21) Appl. No.: **29/361,318**

(22) Filed: **May 10, 2010**

(30) **Foreign Application Priority Data**

Nov. 19, 2009 (EP) ..... 1001637893-0001

(51) **LOC (9) Cl.** ..... **23-04**

(52) **U.S. Cl.** ..... **D23/411**

(58) **Field of Classification Search** ..... D23/370,  
D23/411, 379; 415/214.1, 213.1; 417/352

See application file for complete search history.

(56) **References Cited**

**U.S. PATENT DOCUMENTS**

6,457,953 B1 \* 10/2002 Bradbury et al. .... 417/423.1

D516,194 S \* 2/2006 Oosawa et al. .... D23/370

D516,693 S \* 3/2006 Oosawa et al. .... D23/370

\* cited by examiner

*Primary Examiner*—Lisa P Lichtenstein

(74) *Attorney, Agent, or Firm*—Pearne & Gordon LLP

(57) **CLAIM**

The ornamental design for a hub of an axial fan, as shown and described.

**DESCRIPTION**

FIG. 1 is a perspective view of a hub of an axial fan, showing my new design;

FIG. 2 is a top plan view thereof;

FIG. 3 is a front view thereof;

FIG. 4 is a rear view thereof;

FIG. 5 is a right-side view thereof;

FIG. 6 is a left-side view thereof; and,

FIG. 7 is a bottom plan view thereof.

The broken line showing of fan blades and a portion of a fan is included for the purpose of illustrating environmental structure and forms no part of the claimed design.

**1 Claim, 3 Drawing Sheets**

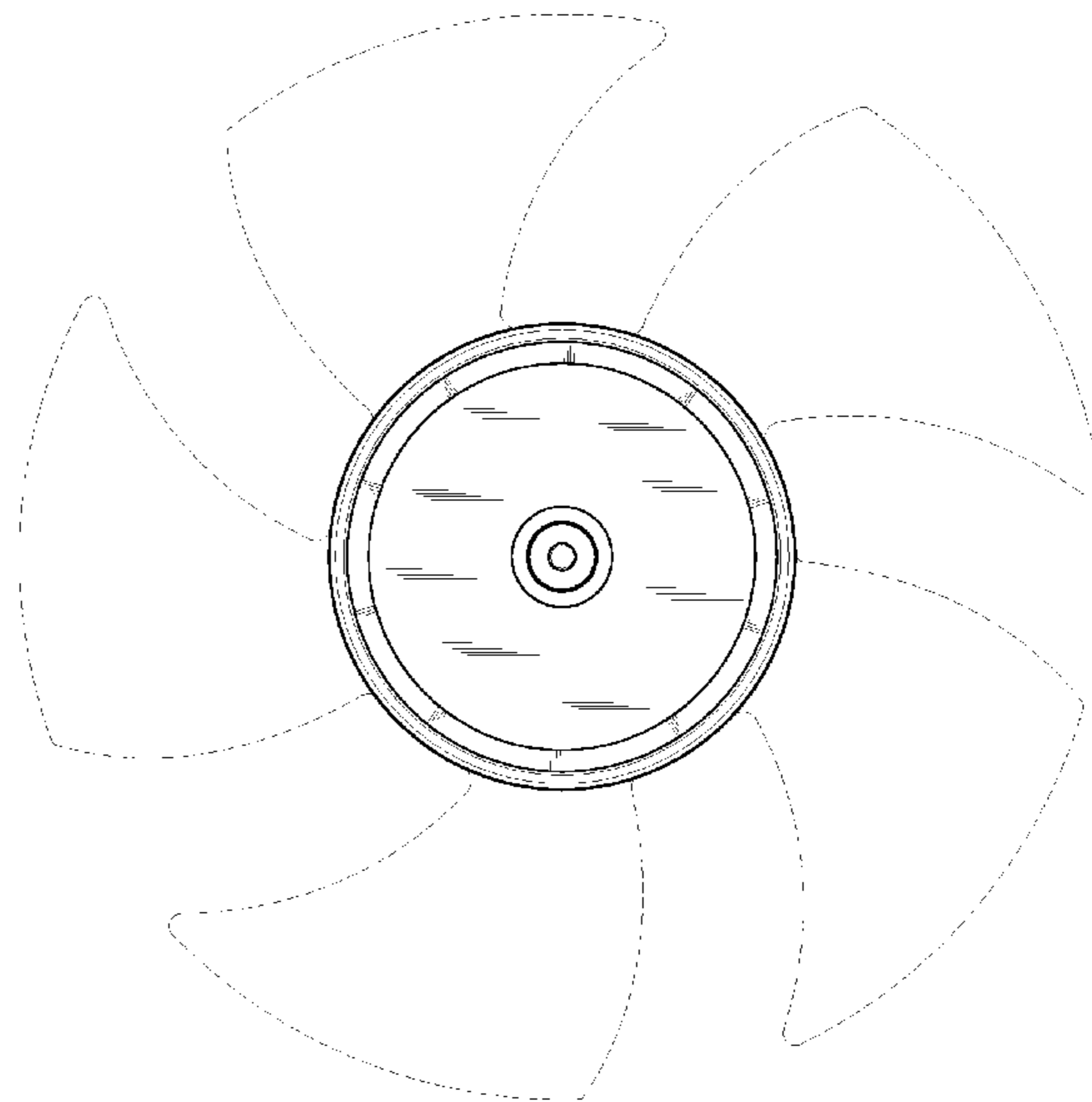
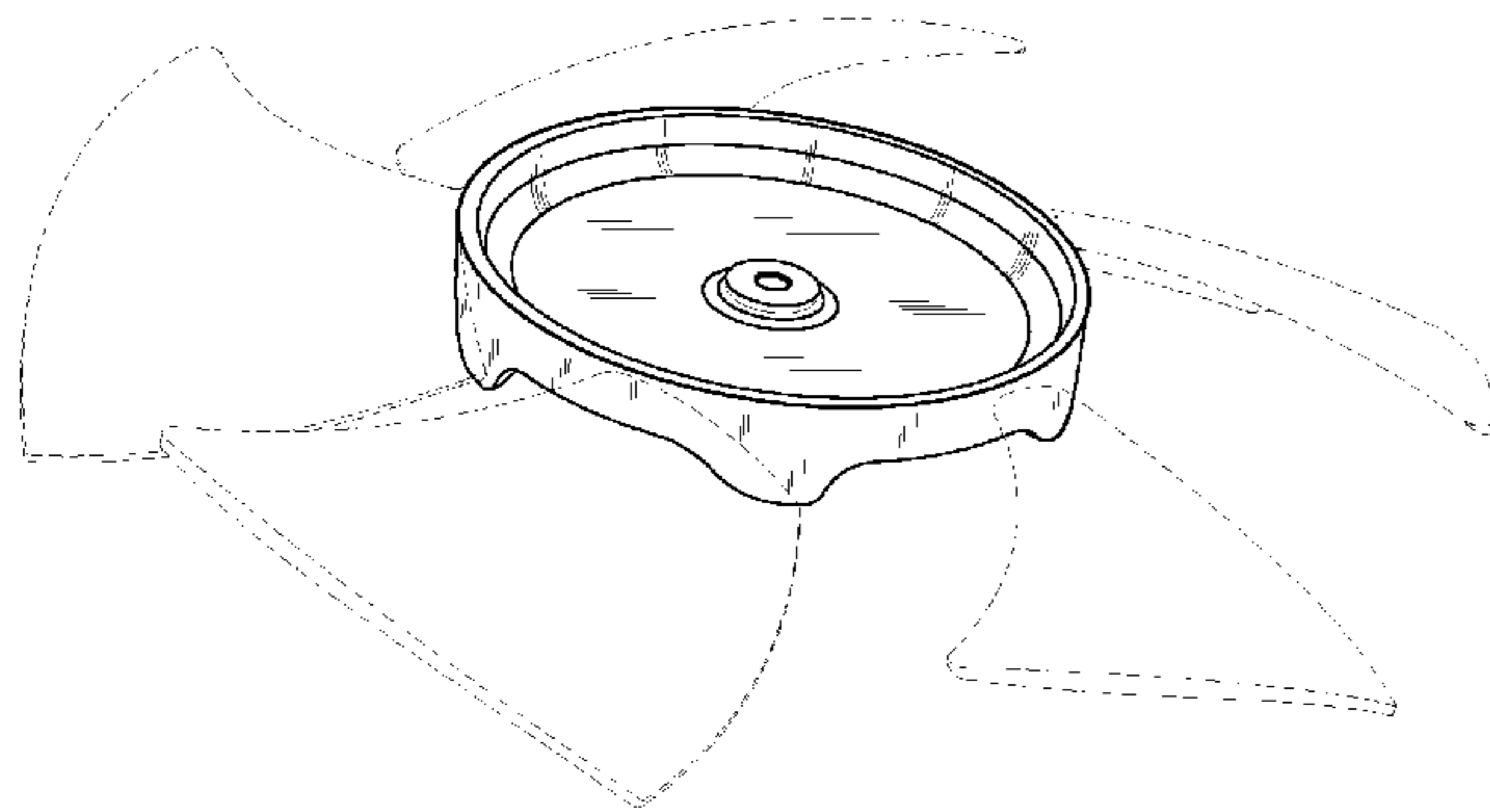


FIG.1

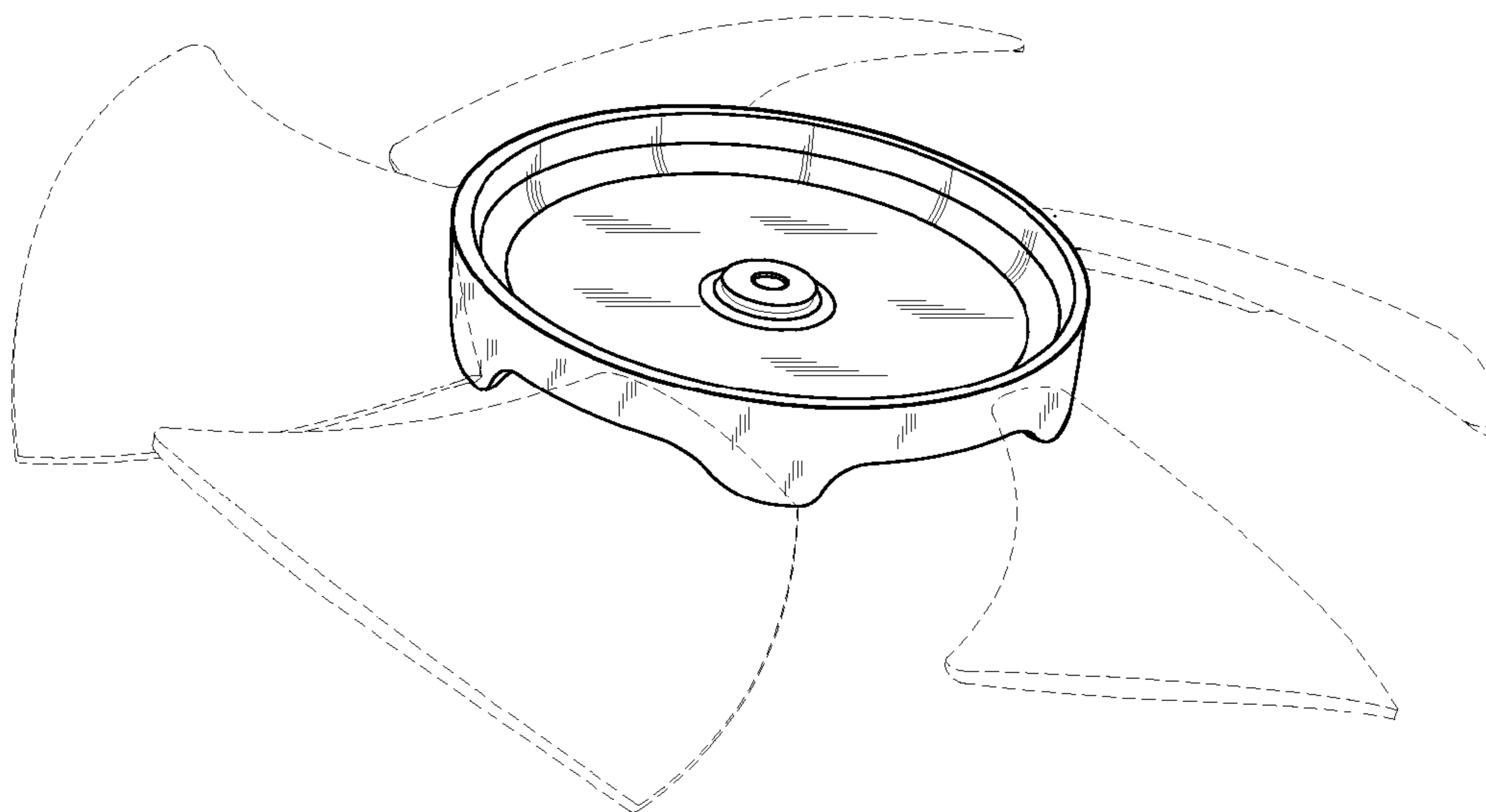


FIG.2

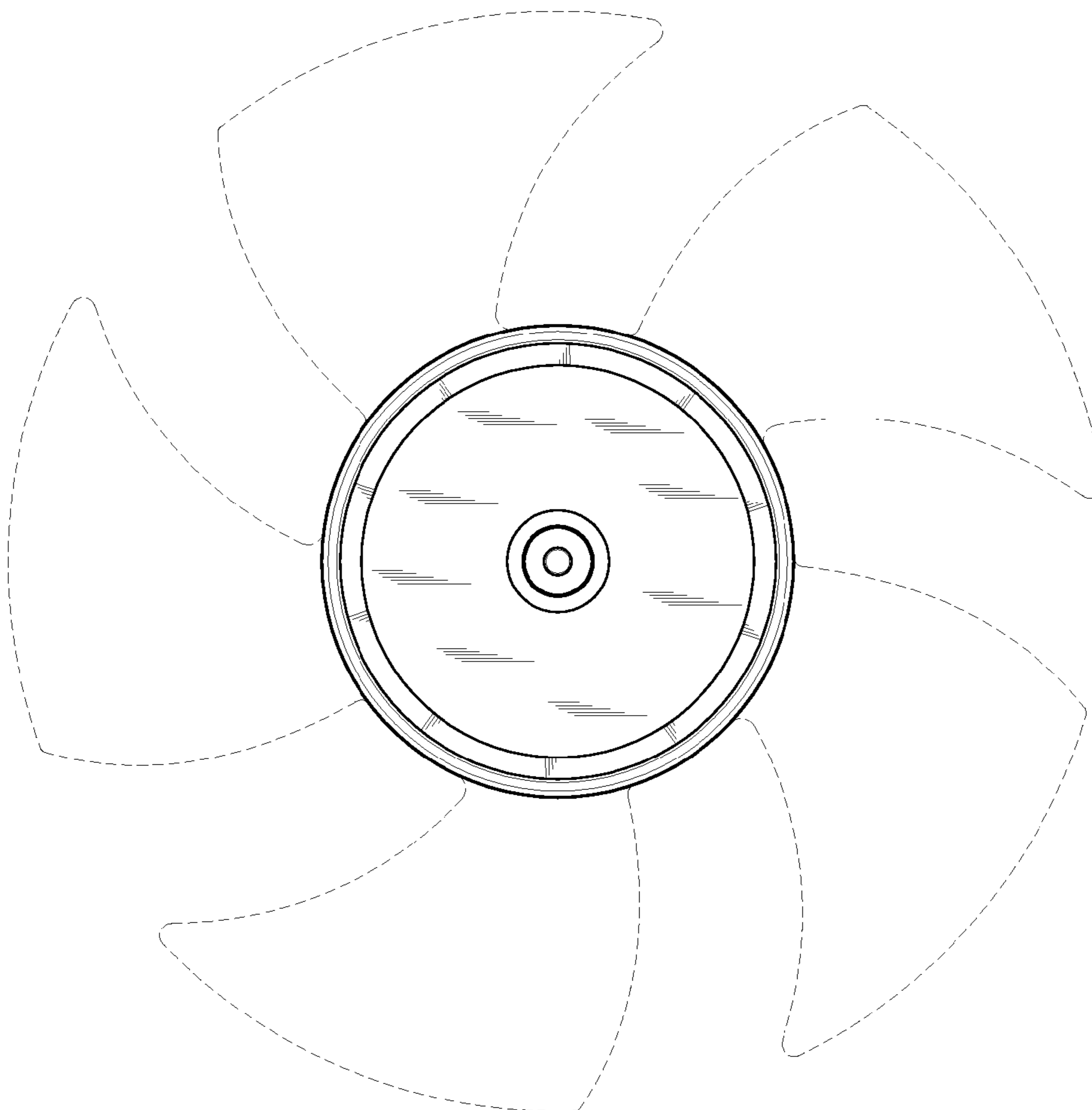


FIG.3

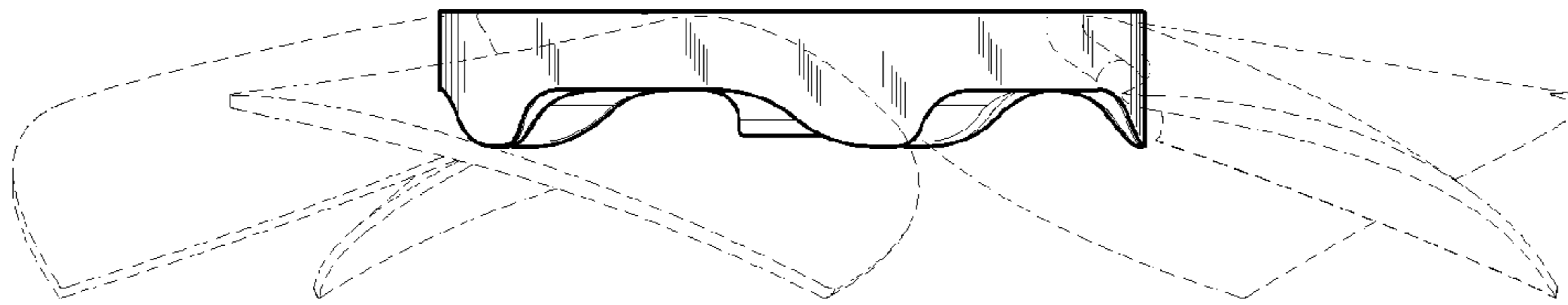


FIG.4

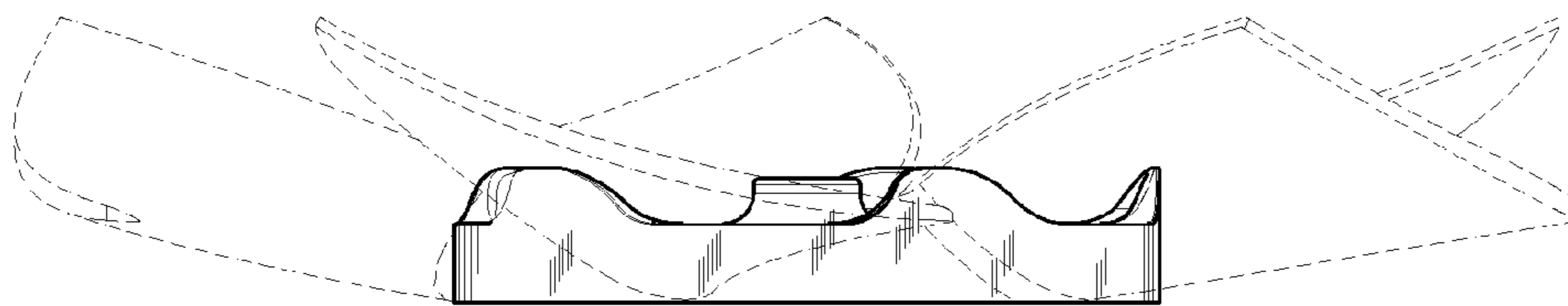


FIG.5

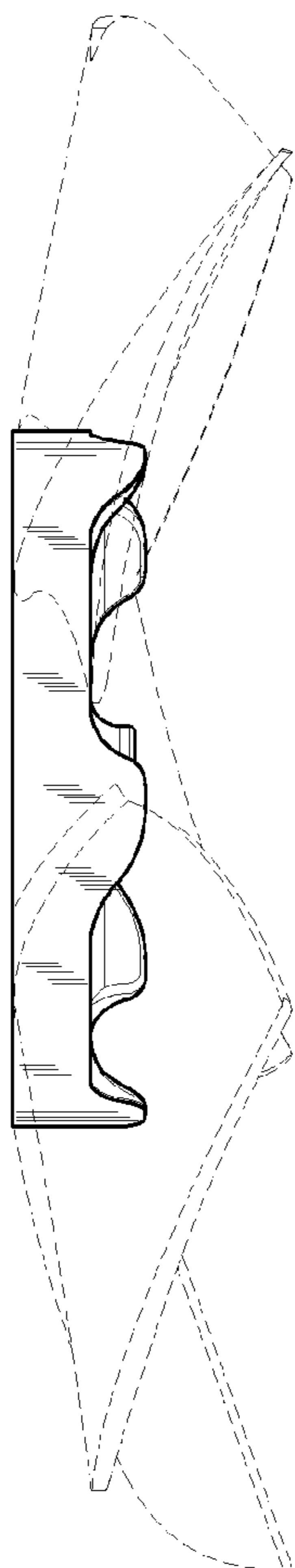


FIG.6

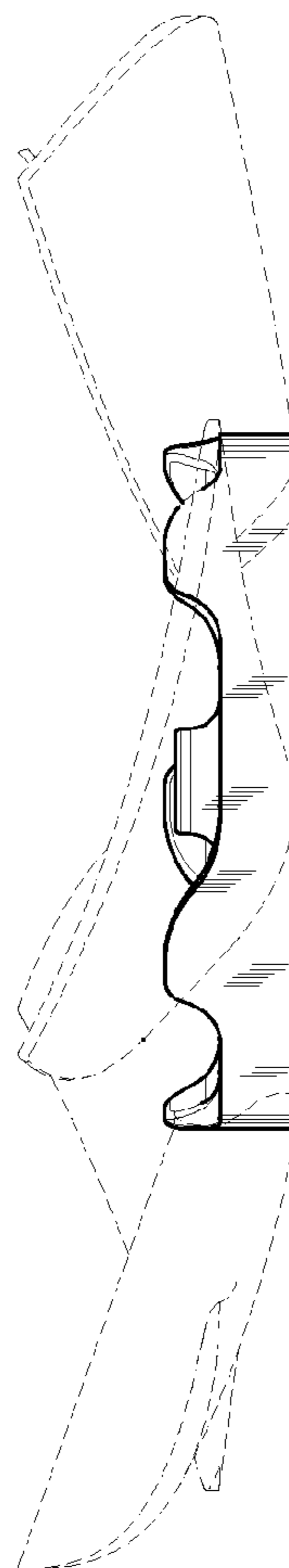


FIG.7

