



US00D632777S

(12) **United States Design Patent**  
**Sterpka et al.**

(10) **Patent No.:** **US D632,777 S**

(45) **Date of Patent:** **\*\* Feb. 15, 2011**

(54) **TUBULAR BASE FOR FANS**

D583,043 S \* 12/2008 Demers et al. .... D23/411  
D602,580 S \* 10/2009 Sterpka et al. .... D23/382

(76) Inventors: **Frank Sterpka**, 47 Skyview Dr., Apt. 3,  
West Hartford, CT (US) 06117; **Philip**  
**Nathan**, 3 Knollwood Rd., West  
Hartford, CT (US) 06110

\* cited by examiner

*Primary Examiner*—Melody N Brown

(74) *Attorney, Agent, or Firm*—Basil E. Demeur; Alan B.  
Samlan; David J. Hurley

(\*\*) Term: **14 Years**

(57) **CLAIM**

(21) Appl. No.: **29/313,490**

We claim the ornamental design for a tubular base for fans, as  
shown and described.

(22) Filed: **Jan. 12, 2009**

(51) **LOC (9) Cl.** ..... **23-04**

(52) **U.S. Cl.** ..... **D23/411**

(58) **Field of Classification Search** ..... D23/411,  
D23/370, 381, 380, 332, 413; 416/208.2,  
416/203, 244 R, 247 R

See application file for complete search history.

**DESCRIPTION**

FIG. 1 is a front perspective view of the tubular base for fans  
of the present invention;

FIG. 2 is a rear perspective view of the tubular base for fans of  
the present invention;

FIG. 3 is a front elevational view of the tubular base for fans;

FIG. 4 is a rear elevational view of the tubular base for fans;

FIG. 5 is a side elevational view of the tubular base for fans;

FIG. 6 is a side elevational view of the opposed side of the  
tubular base for fans;

FIG. 7 is a bottom view of the tubular base for fans; and,

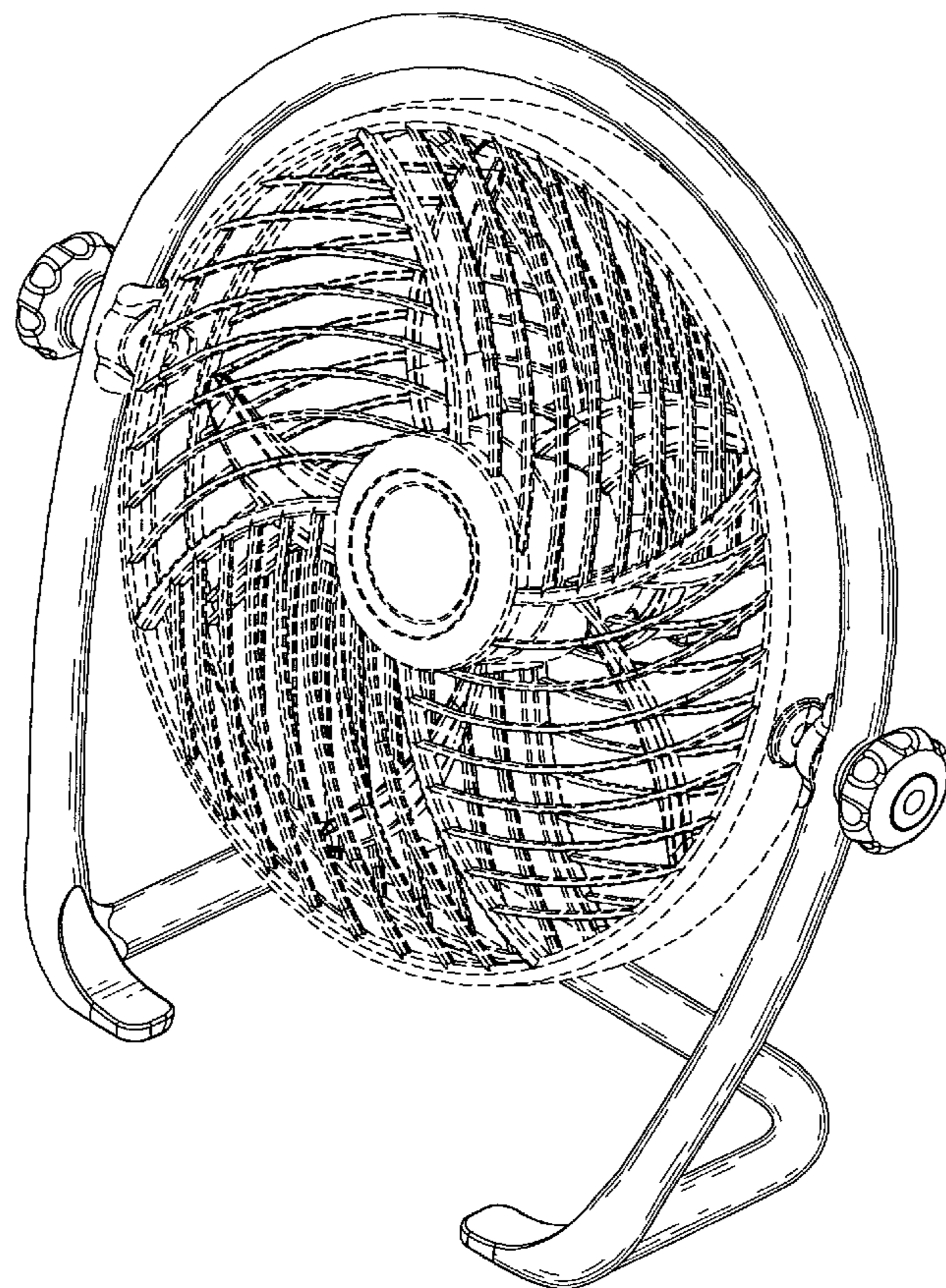
FIG. 8 is a top view of the tubular base for fans.

(56) **References Cited**

**U.S. PATENT DOCUMENTS**

- D426,296 S \* 6/2000 Blateri ..... D23/382
- D452,734 S \* 1/2002 Blateri et al. .... D23/382
- D531,718 S \* 11/2006 Bucher et al. .... D23/382
- D571,448 S \* 6/2008 Bucher et al. .... D23/382
- D574,480 S \* 8/2008 Hsu ..... D23/411

**1 Claim, 7 Drawing Sheets**



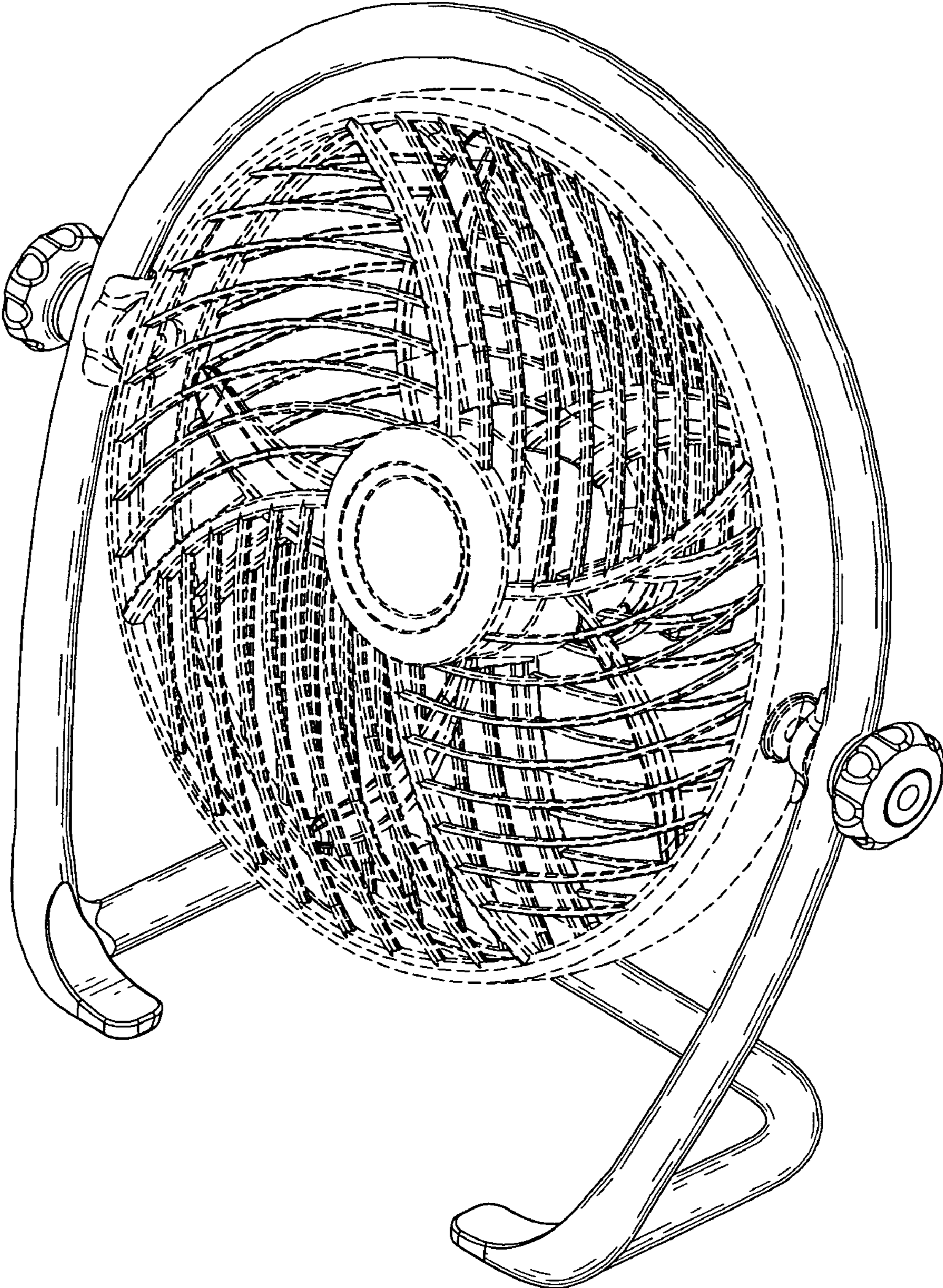


FIG. 1

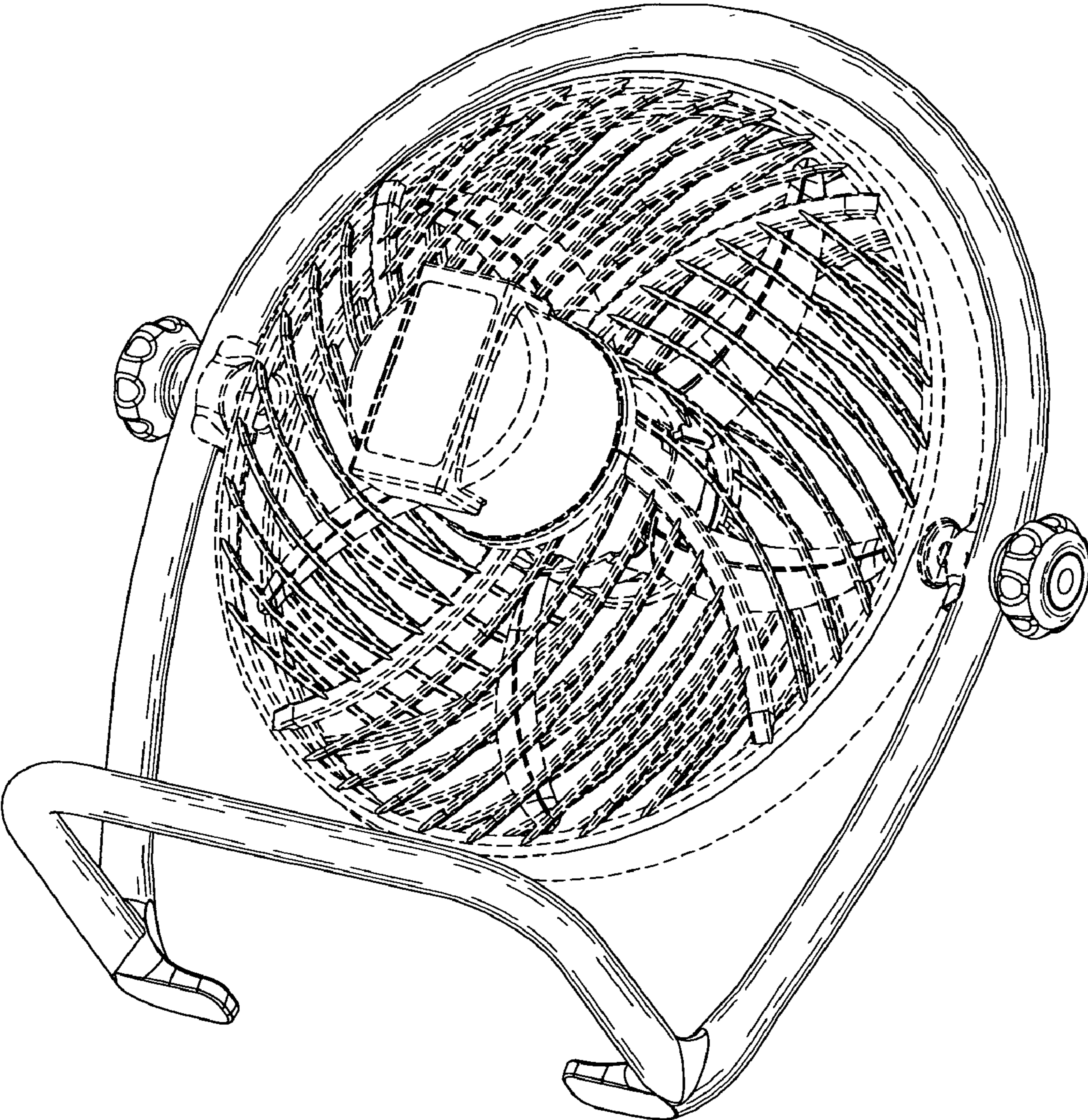


FIG. 2

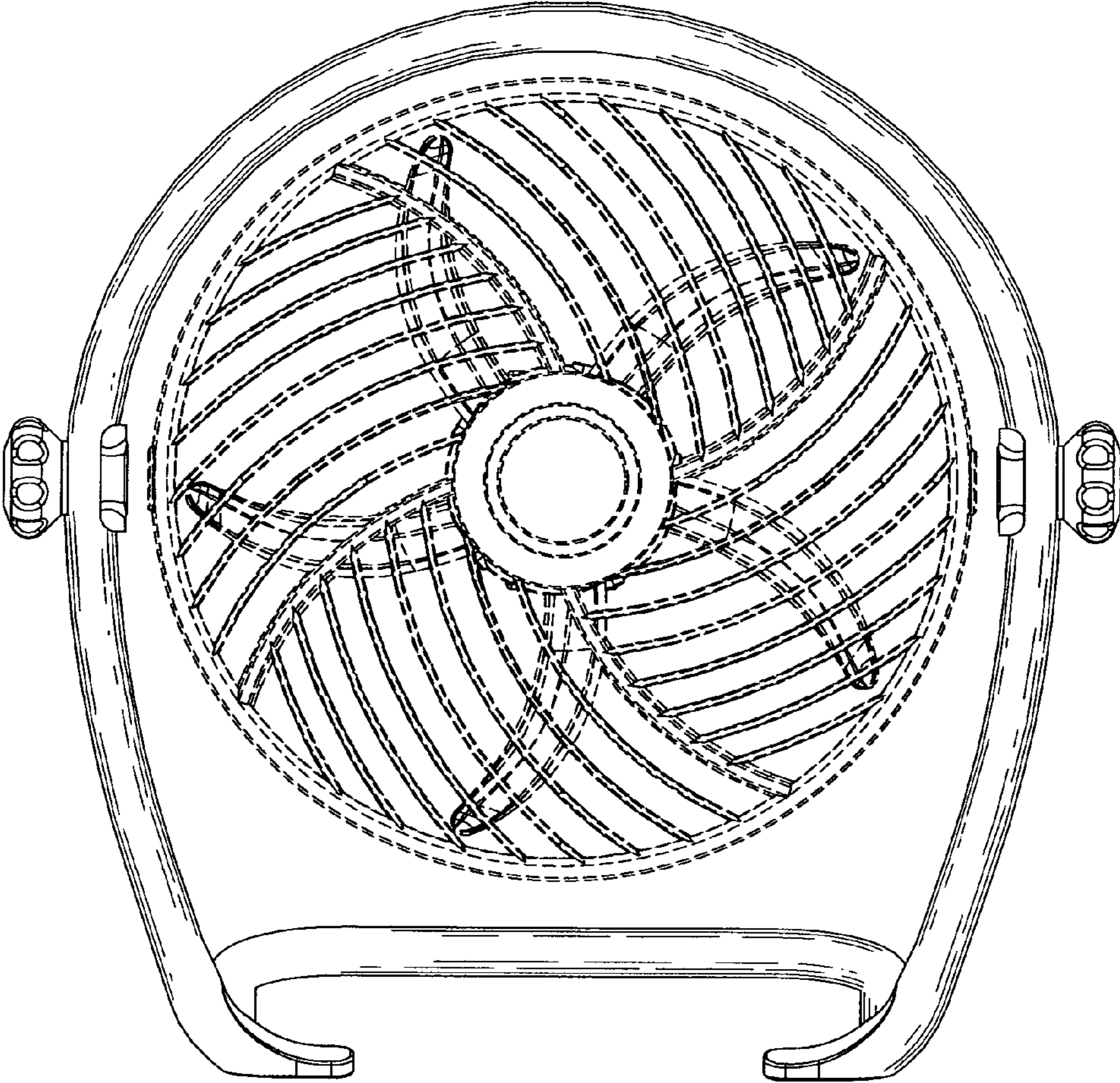


FIG. 3

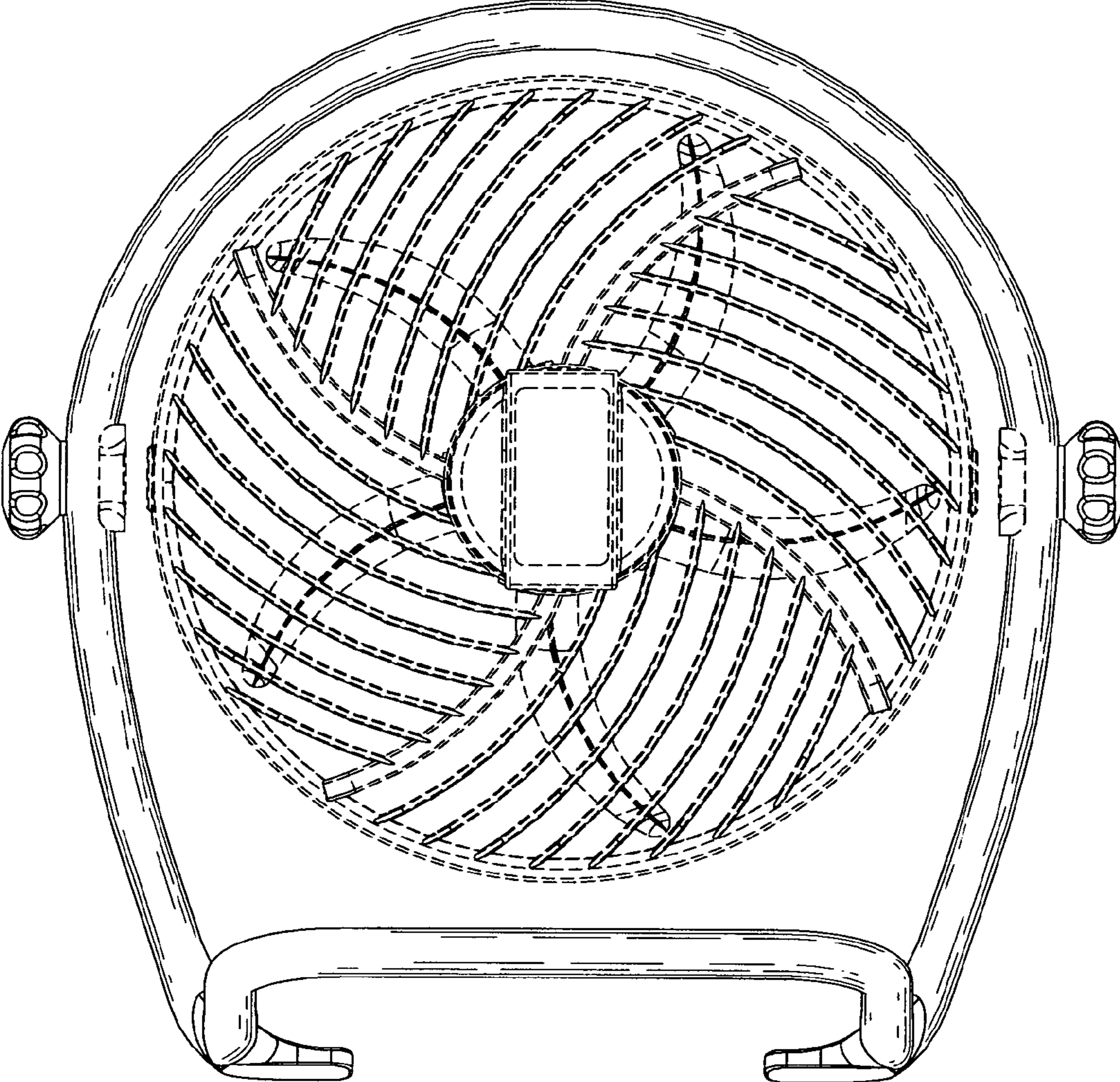
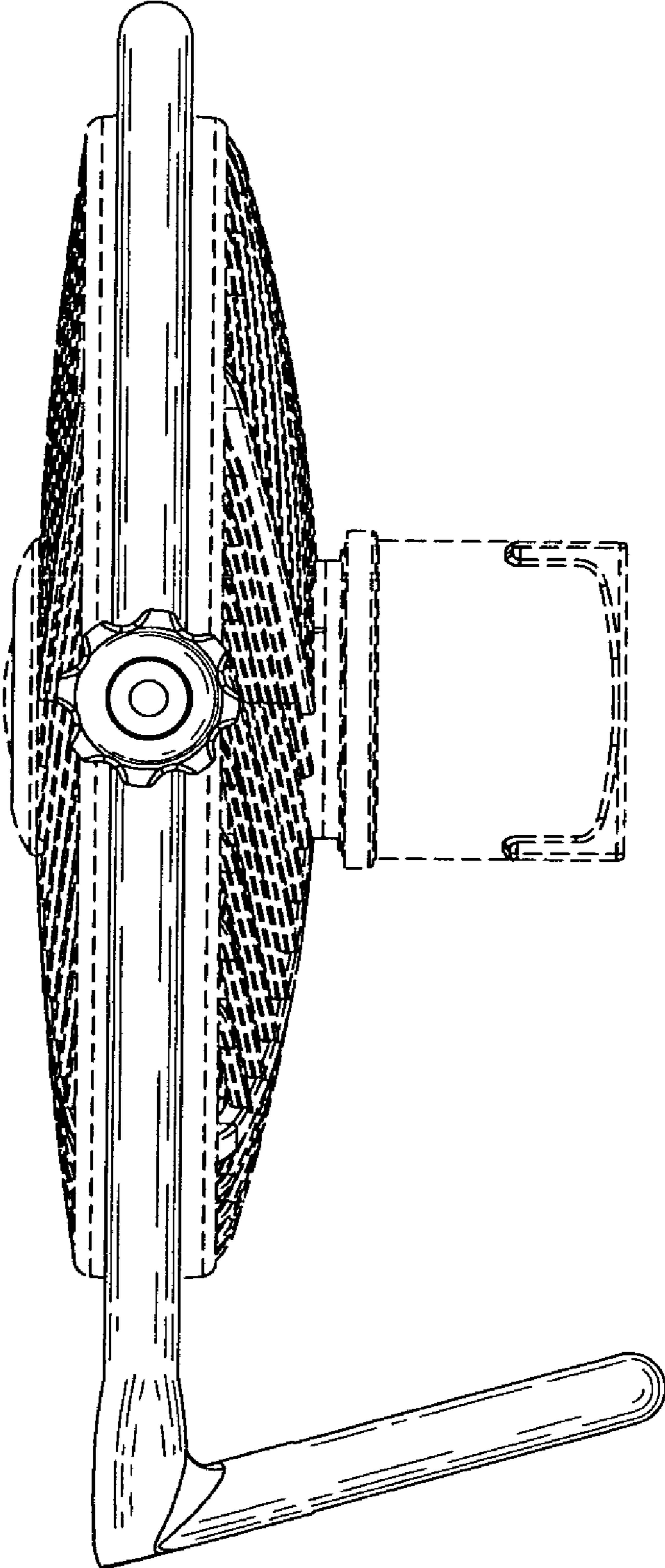
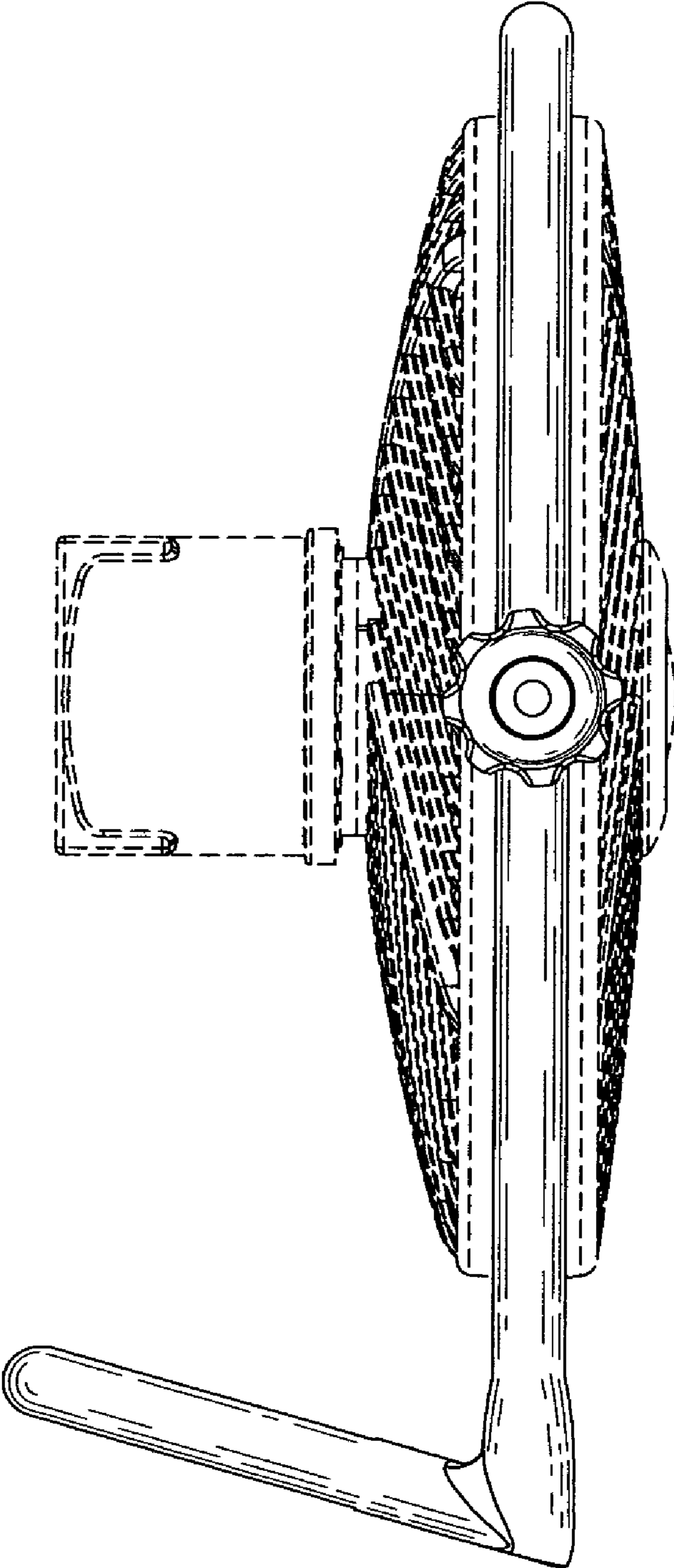


FIG. 4



**FIG. 5**



**FIG. 6**

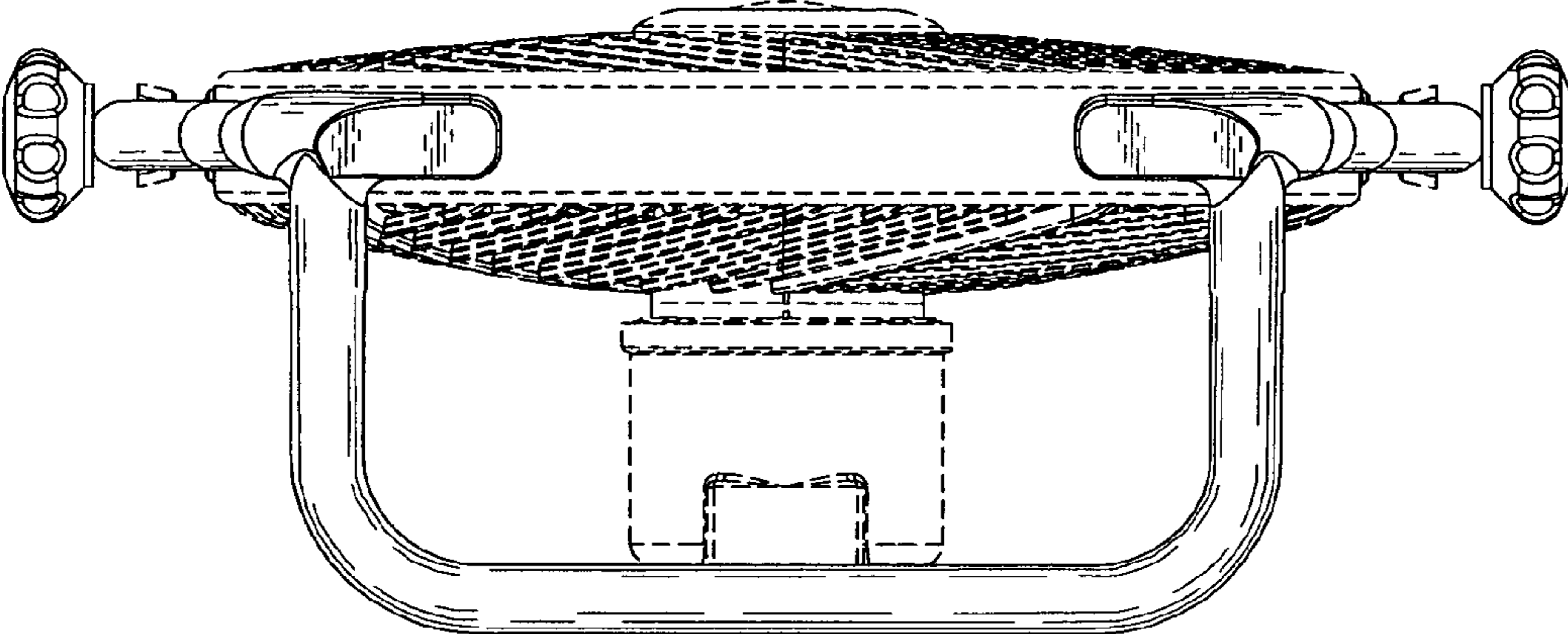


FIG. 7

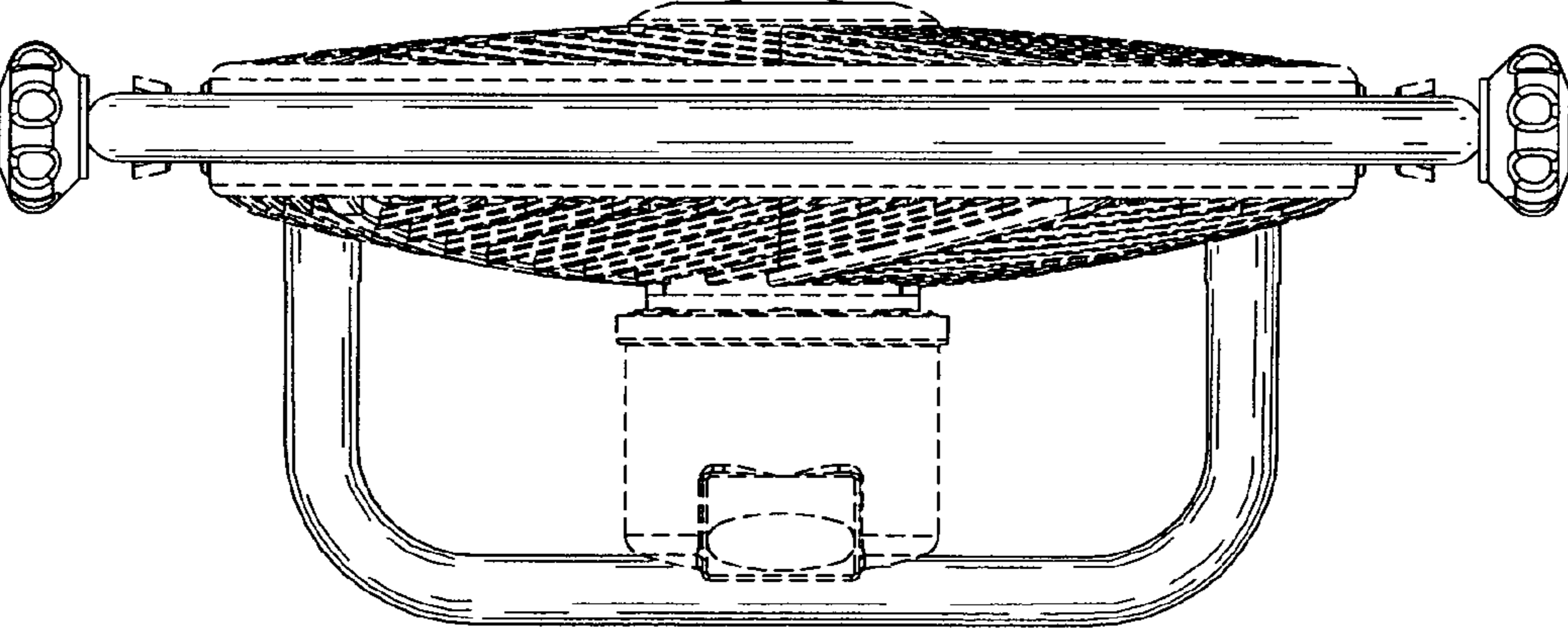


FIG. 8