



US00D632776S

(12) **United States Design Patent**
dos Anjos

(10) **Patent No.:** **US D632,776 S**

(45) **Date of Patent:** **** Feb. 15, 2011**

(54) **FRONT END SHIELD**

(75) **Inventor:** **Emerson Daniel dos Anjos**, Jaragua do Sul (BR)

(73) **Assignee:** **Weg Equipamentos Electricos S.A.**, Jaragua Do Sul (BR)

(**) **Term:** **14 Years**

(21) **Appl. No.:** **29/305,484**

(22) **Filed:** **Mar. 21, 2008**

(30) **Foreign Application Priority Data**

Sep. 26, 2007 (BR) DI 6702899

(51) **LOC (9) Cl.** **23-04**

(52) **U.S. Cl.** **D23/411**

(58) **Field of Classification Search** D23/411,
D23/370, 381, 380, 332, 413; 416/208.2,
416/203, 244 R, 247 R

See application file for complete search history.

(56) **References Cited**

U.S. PATENT DOCUMENTS

D297,761 S * 9/1988 Shiraki D23/379
D409,741 S * 5/1999 Yuen-Ming D23/370
D526,715 S * 8/2006 Glasbrenner D23/411
D548,324 S * 8/2007 Lee D23/411

D551,753 S * 9/2007 Ertze D23/411
D559,381 S * 1/2008 Shapiro D23/411
D564,653 S * 3/2008 Iwase et al. D23/413
D569,494 S * 5/2008 Pan D23/411
D597,195 S * 7/2009 Zhuang D23/411

* cited by examiner

Primary Examiner—Melody N Brown

(74) *Attorney, Agent, or Firm*—Hughes Hubbard & Reed LLP

(57) **CLAIM**

The ornamental design for a front end shield, as shown and described.

DESCRIPTION

FIG. 1 is a front perspective view of a front end shield showing my design;

FIG. 2 is a bottom perspective view thereof;

FIG. 3 is a top perspective view thereof;

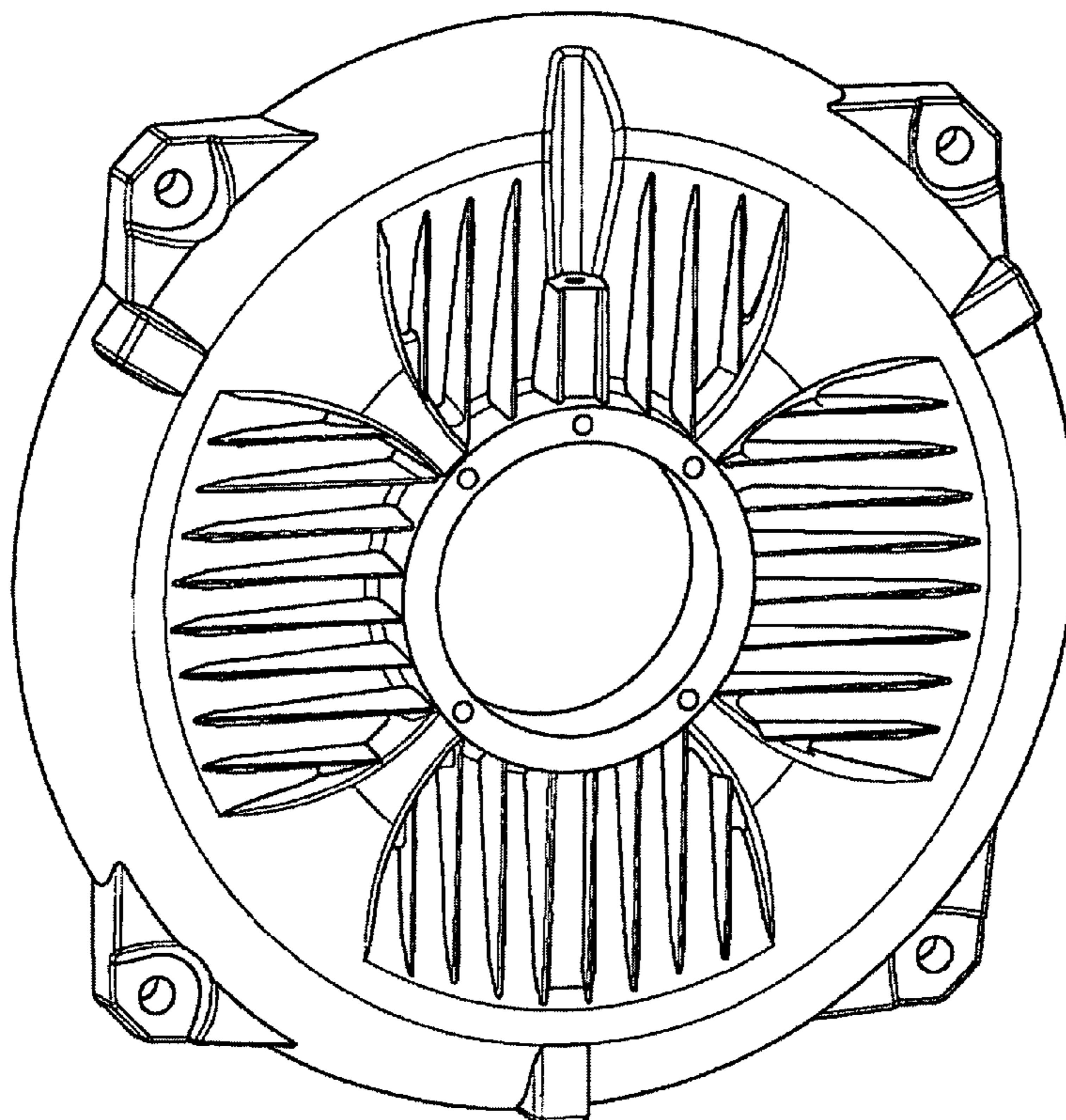
FIG. 4 is a front elevational view thereof;

FIG. 5 is a right side elevational view thereof, the left side elevational view being a mirror image of the right side elevational view;

FIG. 6 is a top plan view thereof; and,

FIG. 7 is a bottom plan view thereof.

1 Claim, 4 Drawing Sheets



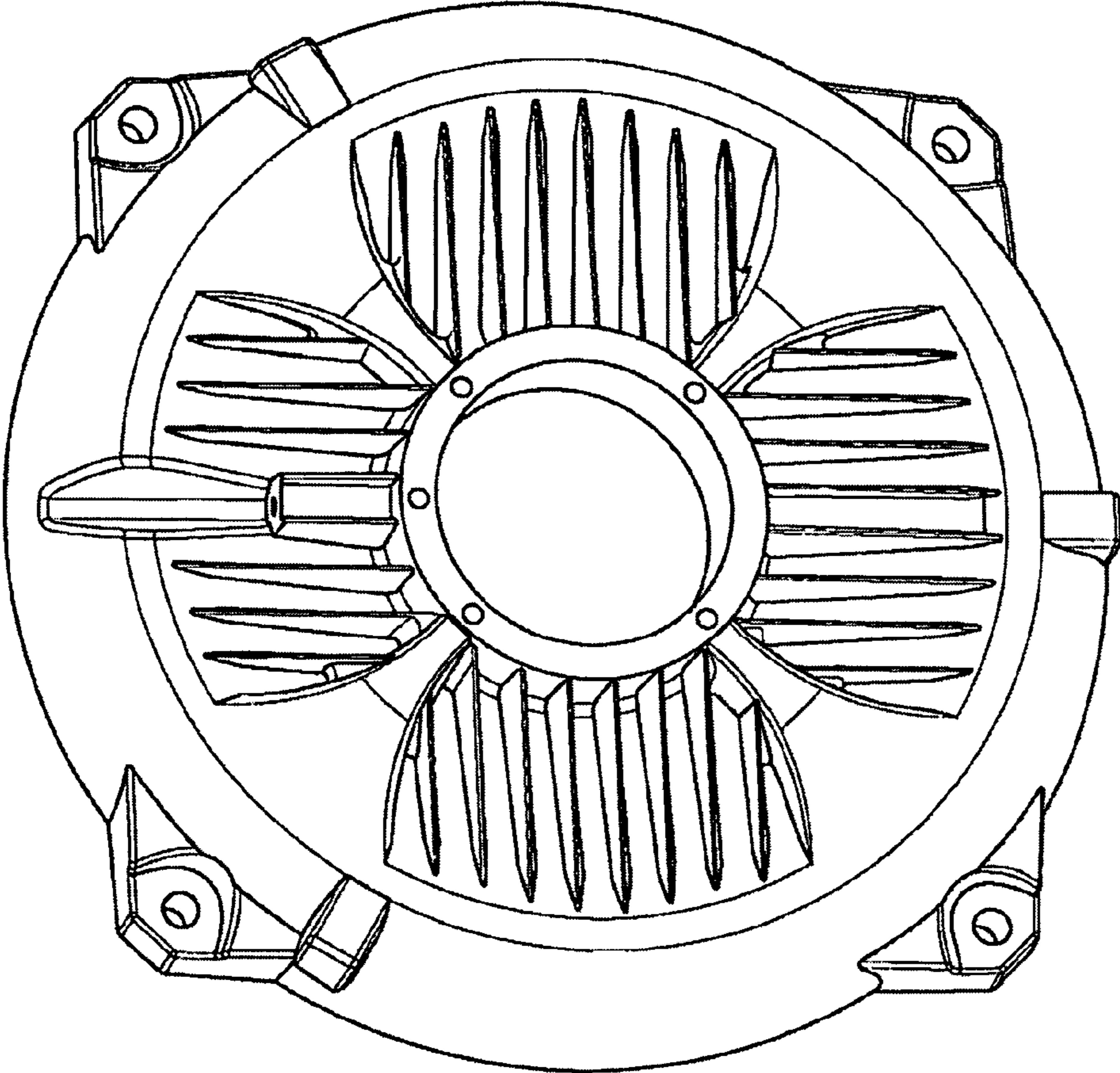


FIG. 1

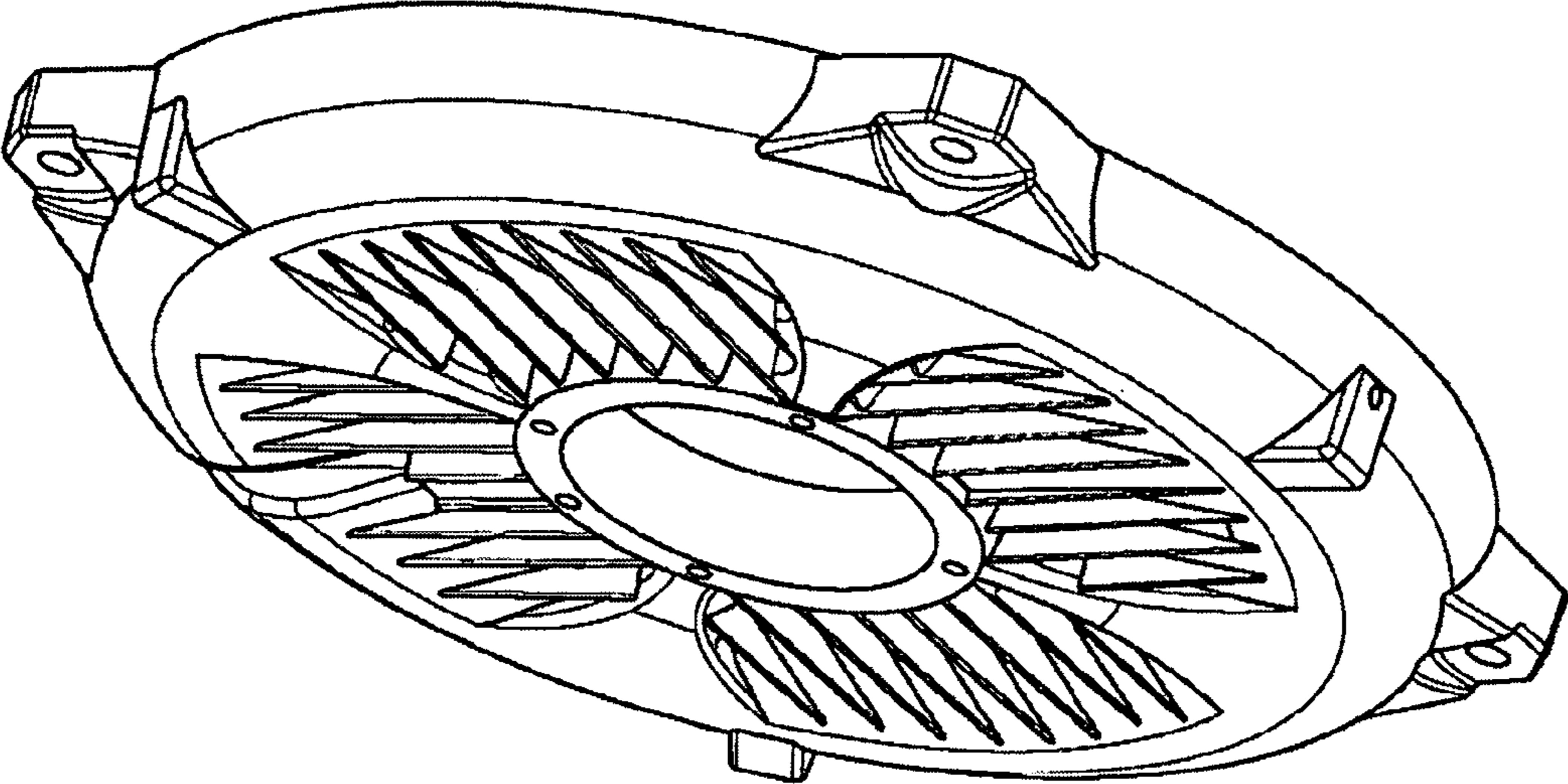


FIG. 2

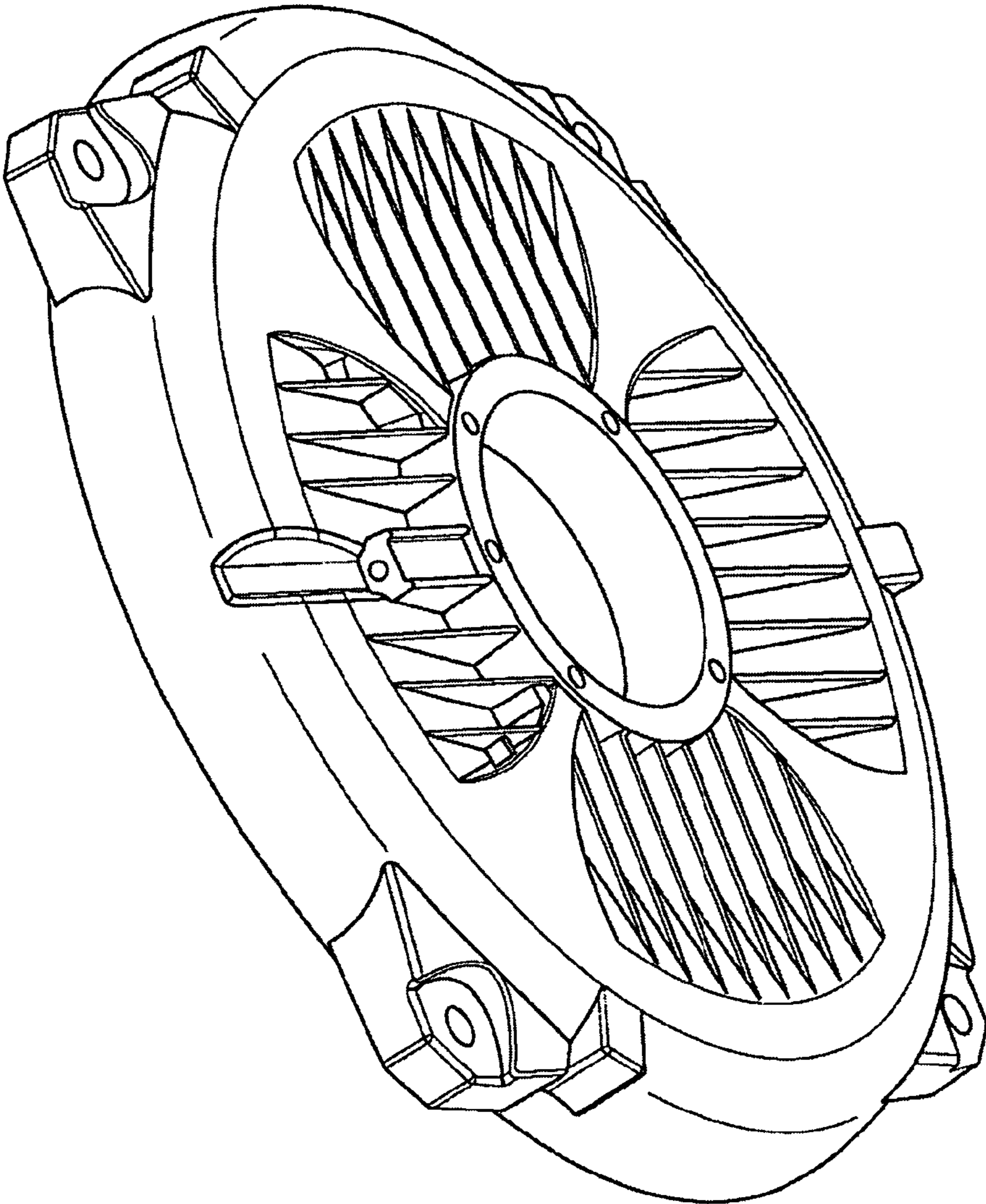


FIG. 3

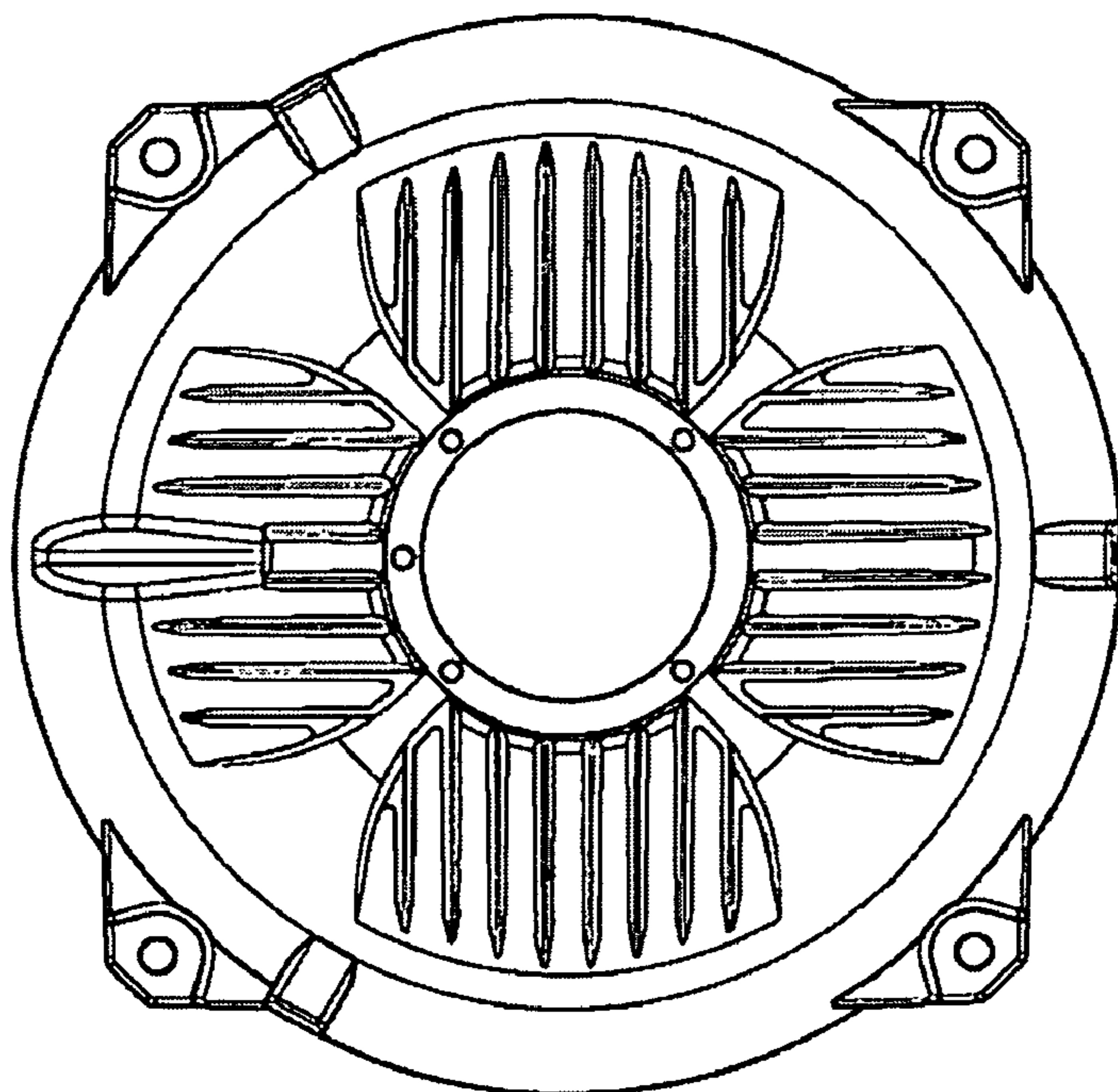


FIG. 4



FIG. 5

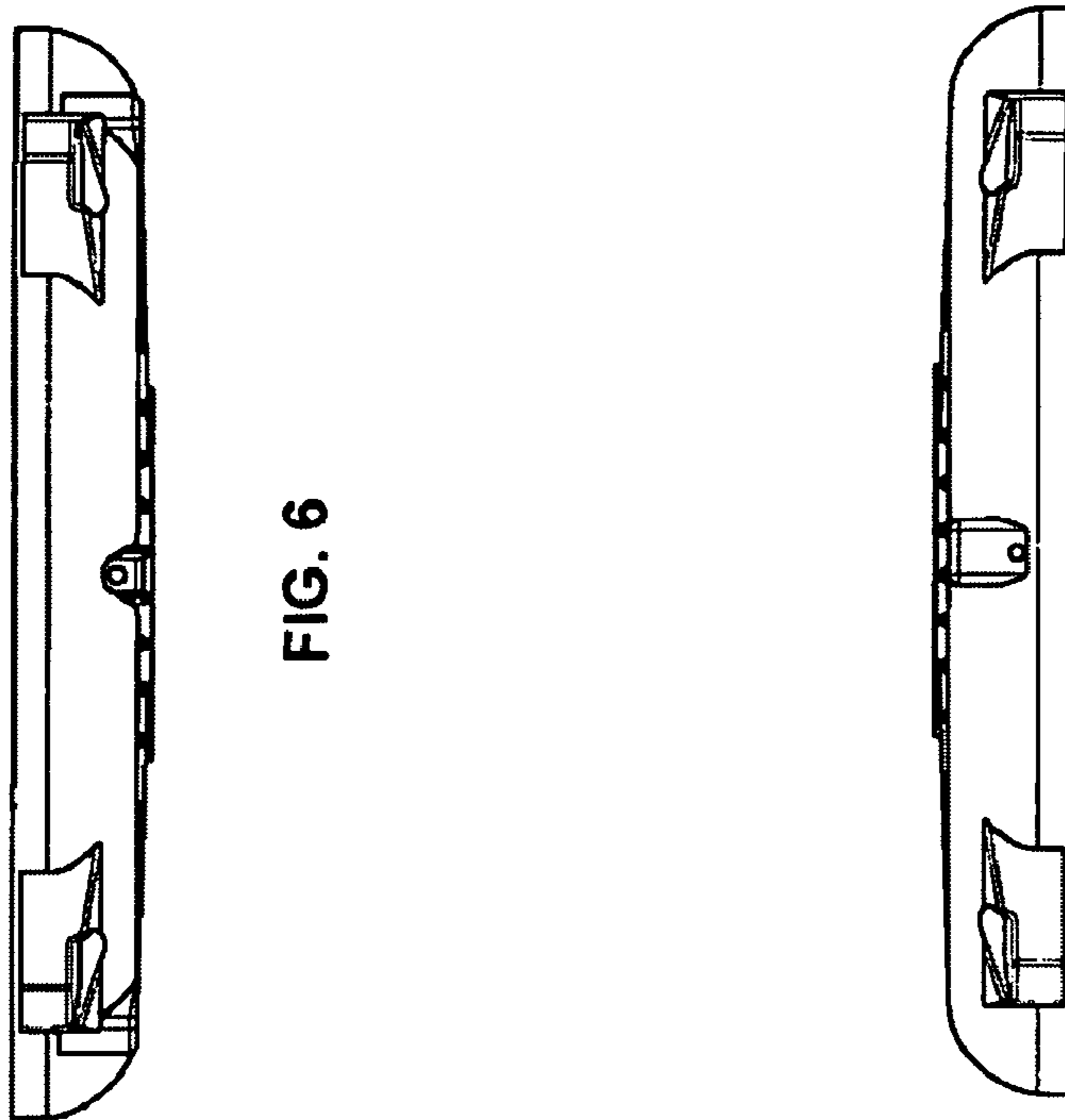


FIG. 6

FIG. 7