



US00D632775S

(12) **United States Design Patent**
Kim et al.

(10) **Patent No.:** **US D632,775 S**

(45) **Date of Patent:** **** Feb. 15, 2011**

(54) **COOLING UNIT**

(75) Inventors: **Young Soo Kim**, Bellevue, WA (US);
Ralf Groene, Kirkland, WA (US);
Anthony Reed, Seattle, WA (US)

(73) Assignee: **Microsoft Corporation**, Redmond, WA (US)

(**) Term: **14 Years**

(21) Appl. No.: **29/333,491**

(22) Filed: **Mar. 10, 2009**

(51) **LOC (9) Cl.** **23-04**

(52) **U.S. Cl.** **D23/371**

(58) **Field of Classification Search** D23/411,
D23/371, 370, 381, 380, 332, 413, 385, 382,
D23/393; 454/349, 354, 355

See application file for complete search history.

(56) **References Cited**

U.S. PATENT DOCUMENTS

D375,725 S	*	11/1996	Dodson	D13/179
D396,099 S	*	7/1998	Graves	D23/411
D570,465 S	*	6/2008	Miyake et al.	D23/371
D574,478 S	*	8/2008	Miyake et al.	D23/371
D581,508 S	*	11/2008	Miyake et al.	D23/371

OTHER PUBLICATIONS

Preliminary Notice of Reasons for Refusal, Design Application No. 2009-020799, mailed Nov. 20, 2009, 8 pages.
Belkin Laptop Cooling Pad, date unknown but prior to filing.
Xbrand Lap Lounge Notebook Stand, date unknown but prior to filing.

* cited by examiner

Primary Examiner—Melody N Brown

(74) *Attorney, Agent, or Firm*—Banner & Witcoff Ltd.

(57) **CLAIM**

The ornamental design for a cooling unit, as shown and described.

DESCRIPTION

FIG. 1 is a top perspective view of a cooling unit showing our new design;

FIG. 2 is a top view thereof;

FIG. 3 is a bottom view thereof;

FIG. 4 is a left side view thereof;

FIG. 5 is a right side view thereof;

FIG. 6 is a rear view thereof;

FIG. 7 is a front view thereof;

FIG. 8 is a top perspective view of a cooling unit showing another embodiment of our new design;

FIG. 9 is a top view thereof;

FIG. 10 is a bottom view thereof;

FIG. 11 is a left side view thereof;

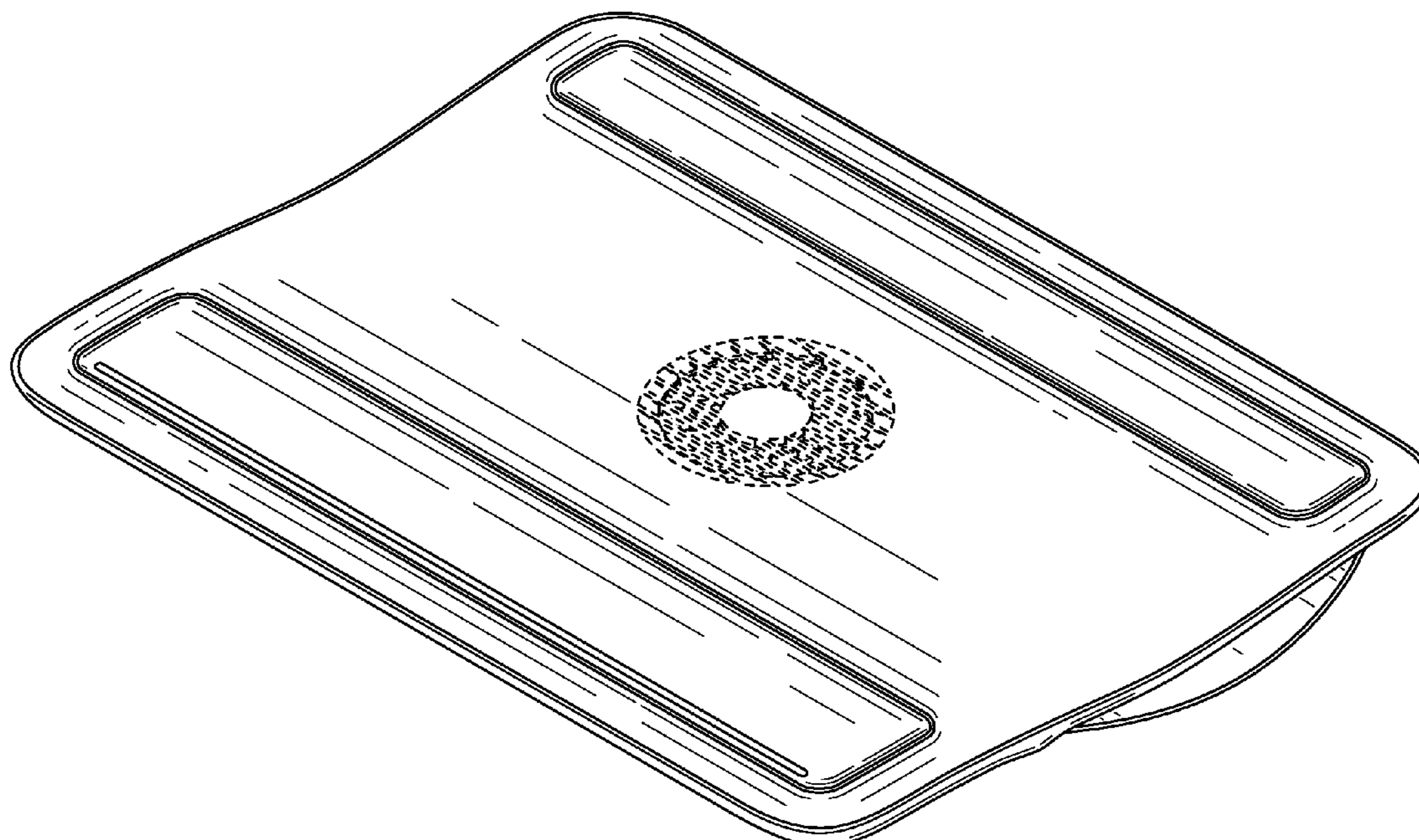
FIG. 12 is a right side view thereof;

FIG. 13 is a rear view thereof; and,

FIG. 14 is a front view thereof.

The broken line showing of a remainder of the cooling unit in FIGS. 1-7, including the unshaded areas therein, is for illustrative purposes and forms no part of the claimed design.

1 Claim, 10 Drawing Sheets



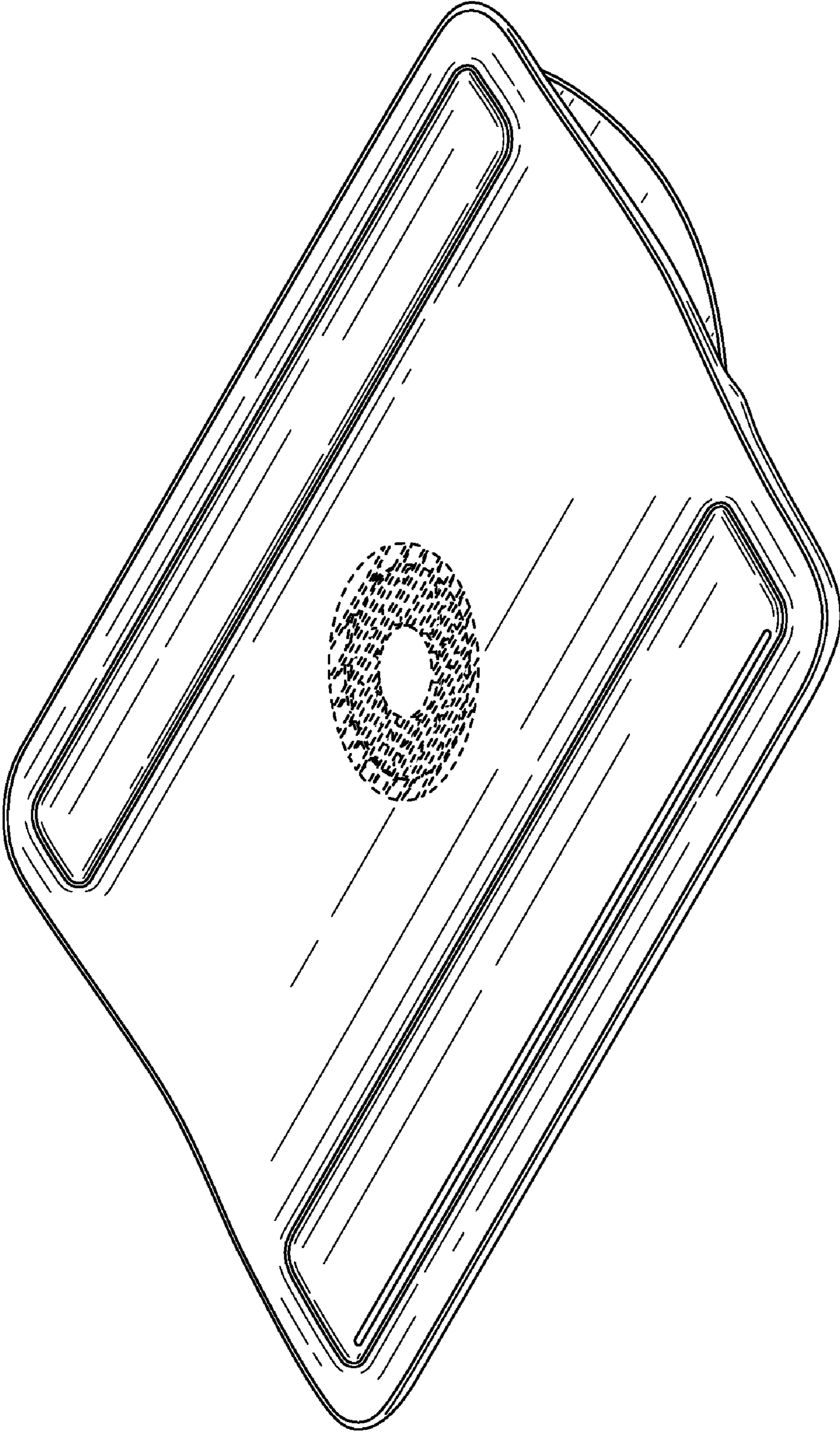


FIG. 1

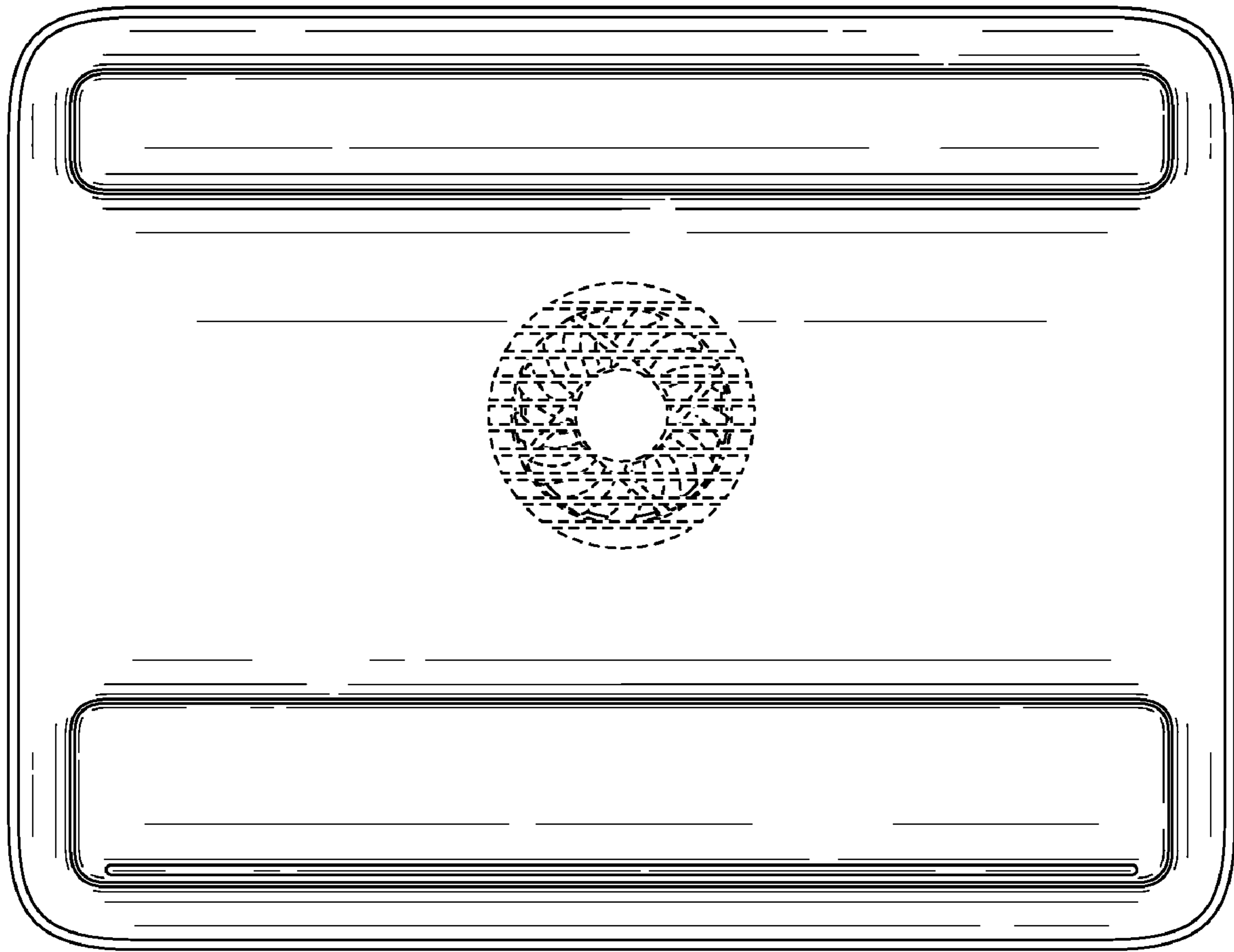


FIG. 2

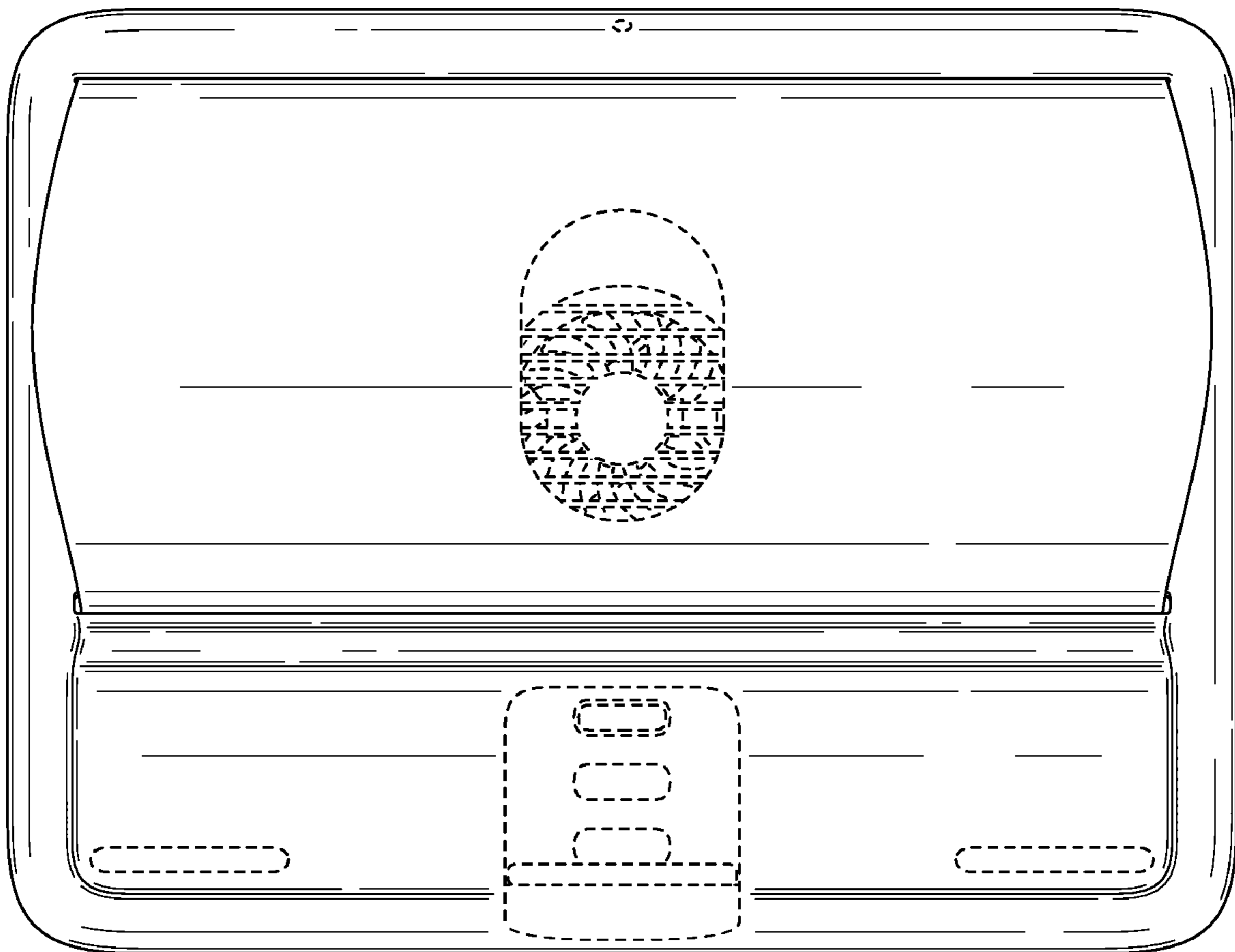


FIG. 3



FIG. 4



FIG. 5

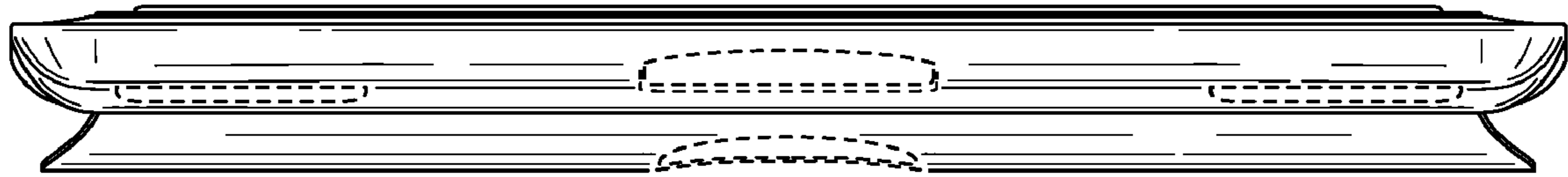


FIG. 6

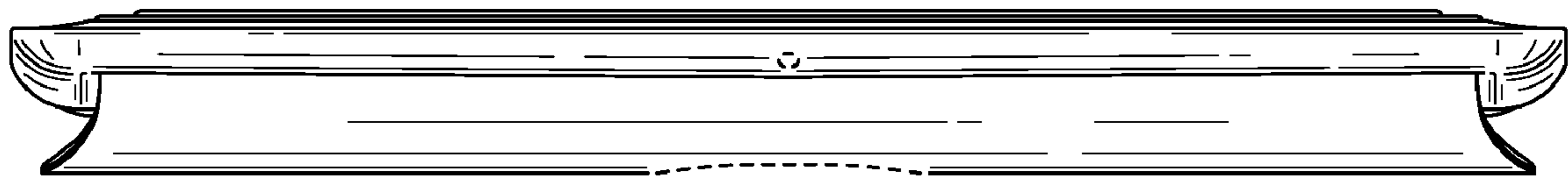


FIG. 7

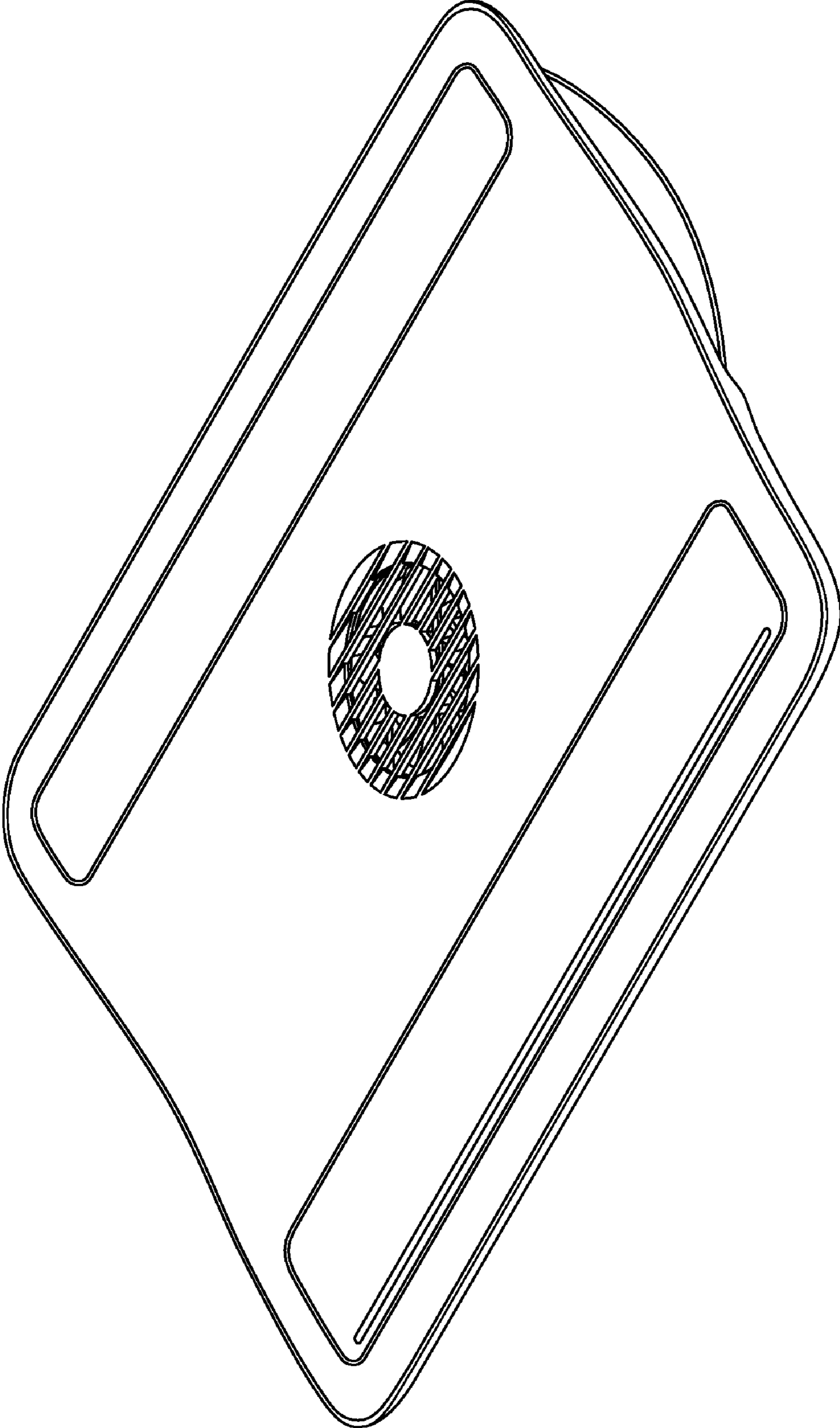


FIG. 8

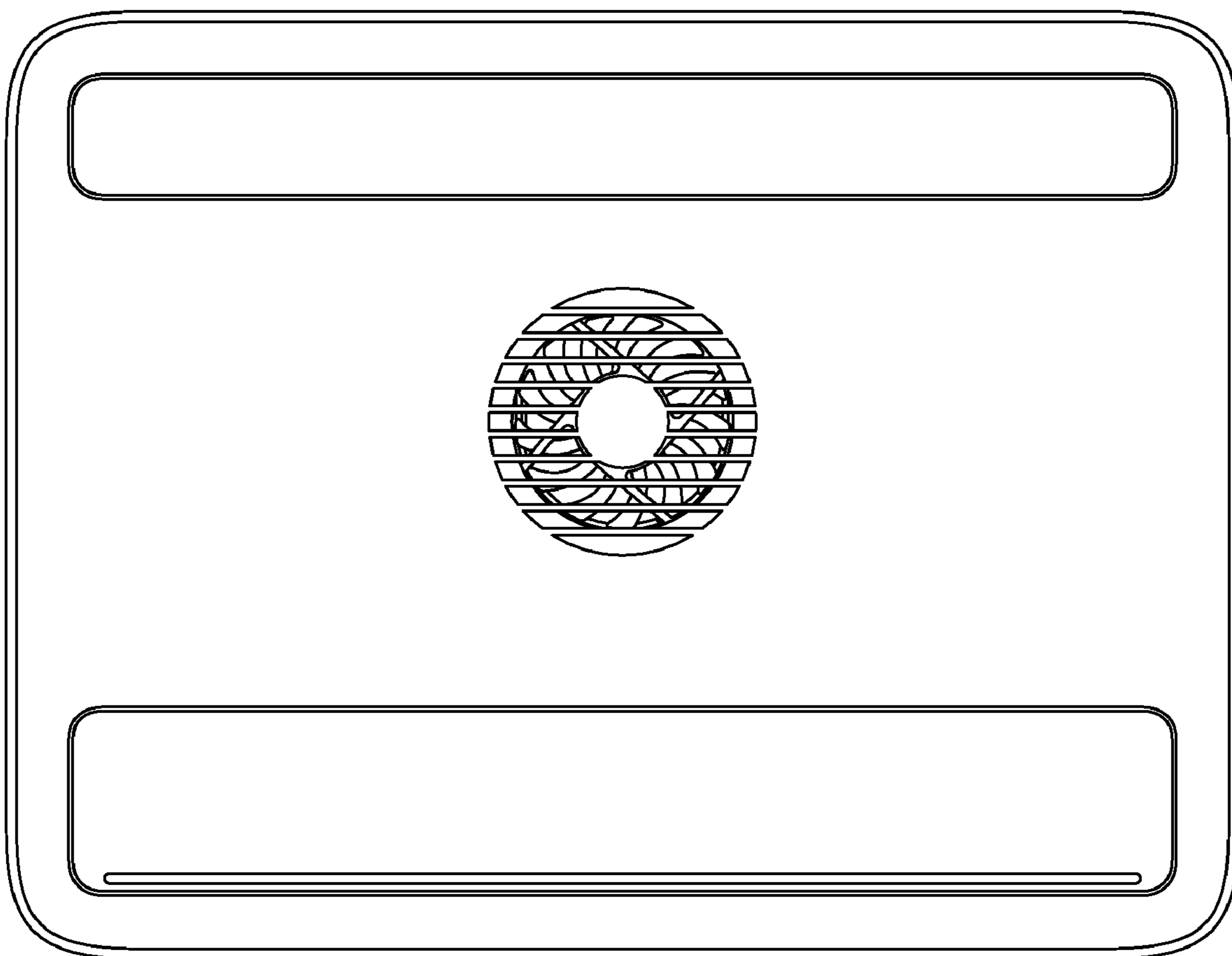


FIG. 9

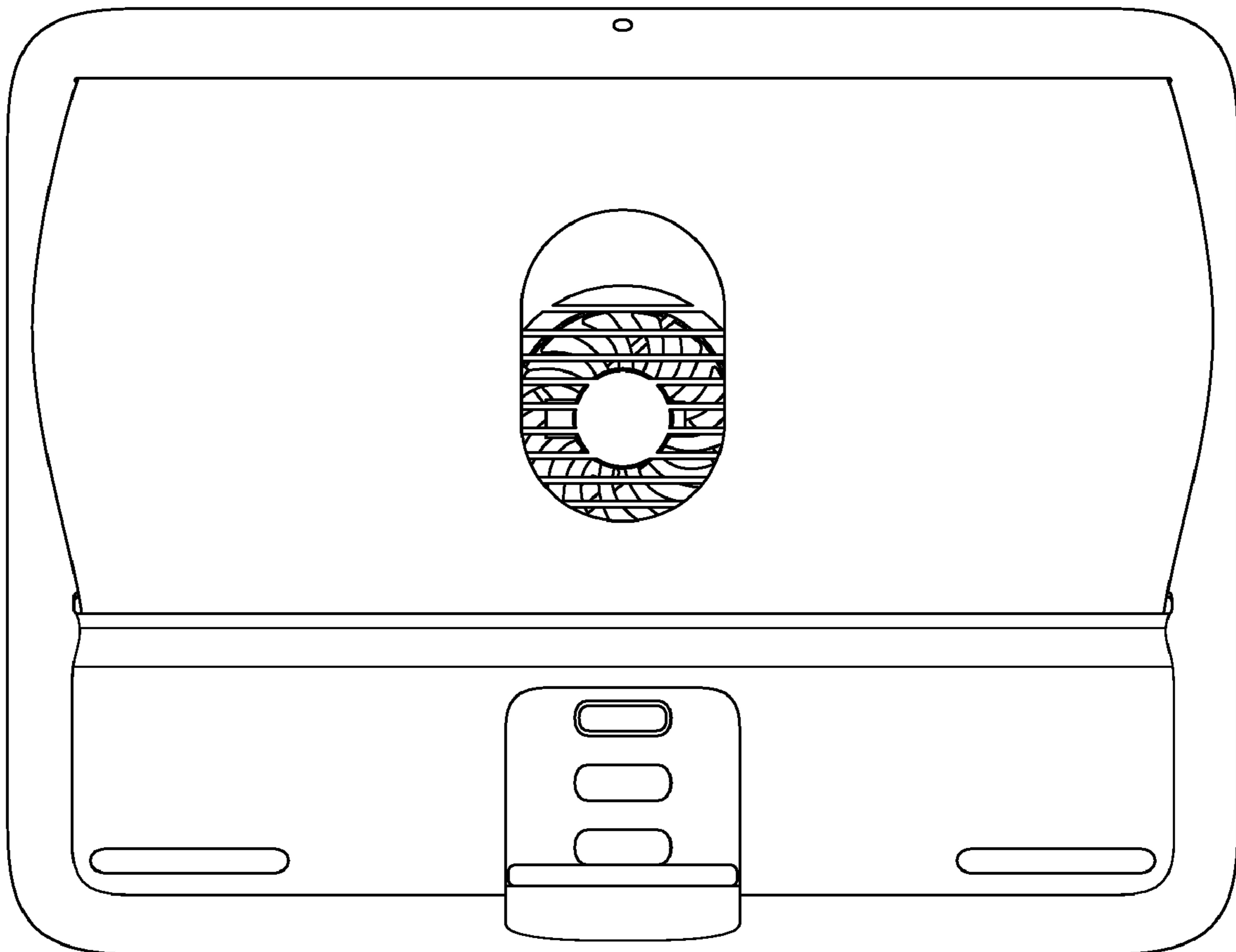


FIG. 10



FIG. 11



FIG. 12



FIG. 13

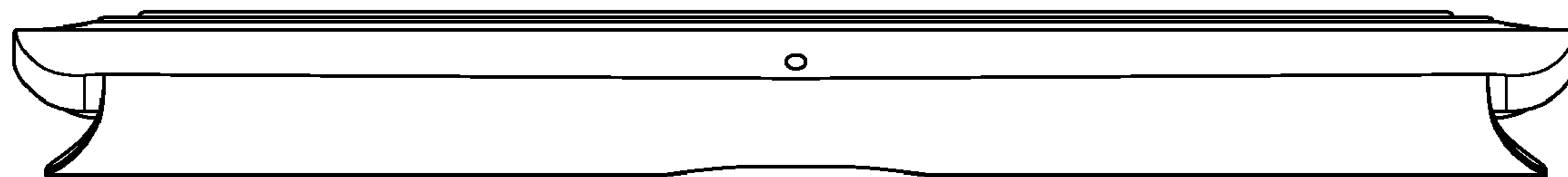


FIG. 14

UNITED STATES PATENT AND TRADEMARK OFFICE
CERTIFICATE OF CORRECTION

PATENT NO. : D632,775 S
APPLICATION NO. : 29/333491
DATED : February 15, 2011
INVENTOR(S) : Young Soo Kim et al.

Page 1 of 1

It is certified that error appears in the above-identified patent and that said Letters Patent is hereby corrected as shown below:

On the cover page, in the section entitled "Description,"

"FIG. 8 is a top perspective view of a cooling unit showing another embodiment of our new design;"

has been replaced with

--FIG. 8 is a top perspective view of a cooling unit showing a second embodiment of our new design;--

Signed and Sealed this
First Day of May, 2012



David J. Kappos
Director of the United States Patent and Trademark Office