



US00D632770S

(12) **United States Design Patent**
Rotter et al.

(10) **Patent No.:** **US D632,770 S**

(45) **Date of Patent:** **** *Feb. 15, 2011**

(54) **CYCLONIC AIR CLEANER HOUSING**

(75) Inventors: **Terrence M. Rotter**, Sheboygan Falls, WI (US); **Jeffrey S. Sayler**, Howards Grove, WI (US); **Richard R. Koehl**, Sheboygan, WI (US); **Robert J. Hensel**, Germantown, WI (US); **Herbert V. Kohler, Jr.**, Kohler, WI (US)

3,816,982 A 6/1974 Regnault
3,832,122 A 8/1974 La Haye et al.
3,849,093 A 11/1974 Konishi et al.
3,853,518 A 12/1974 Tu et al.
3,868,819 A 3/1975 Knapp
3,884,658 A 5/1975 Roach
3,907,529 A 9/1975 Borsheim

(Continued)

(73) Assignee: **Kohler Co.**, Kohler, WI (US)

FOREIGN PATENT DOCUMENTS

(**) Term: **14 Years**

AT 0077968 U1 3/2004

(Continued)

(21) Appl. No.: **29/319,769**

OTHER PUBLICATIONS

(22) Filed: **Jun. 13, 2008**

Mann & Hummel's High Performance Air Cleaner give the Mercury Marauder a Boost in Performance; Advance Material and Composite News, May 2002, N539; <http://dialogpro.com>; 2 pages.

(51) **LOC (9) Cl.** **23-04**

(52) **U.S. Cl.** **D23/364**

(58) **Field of Classification Search** D23/364,
D23/365, 363, 358, 386, 354, 341, 370, 393,
D23/388, 351; 55/385.3, 502, 497, 506,
55/505, 521, 495, 422, 493, DIG. 30, 413,
55/414, 478, 498; 95/271

(Continued)

Primary Examiner—David G Muller
(74) *Attorney, Agent, or Firm*—Whyte Hirschboeck Dudek S.C.

See application file for complete search history.

(57) **CLAIM**

(56) **References Cited**

An ornamental design for cyclonic air cleaner housing.

U.S. PATENT DOCUMENTS

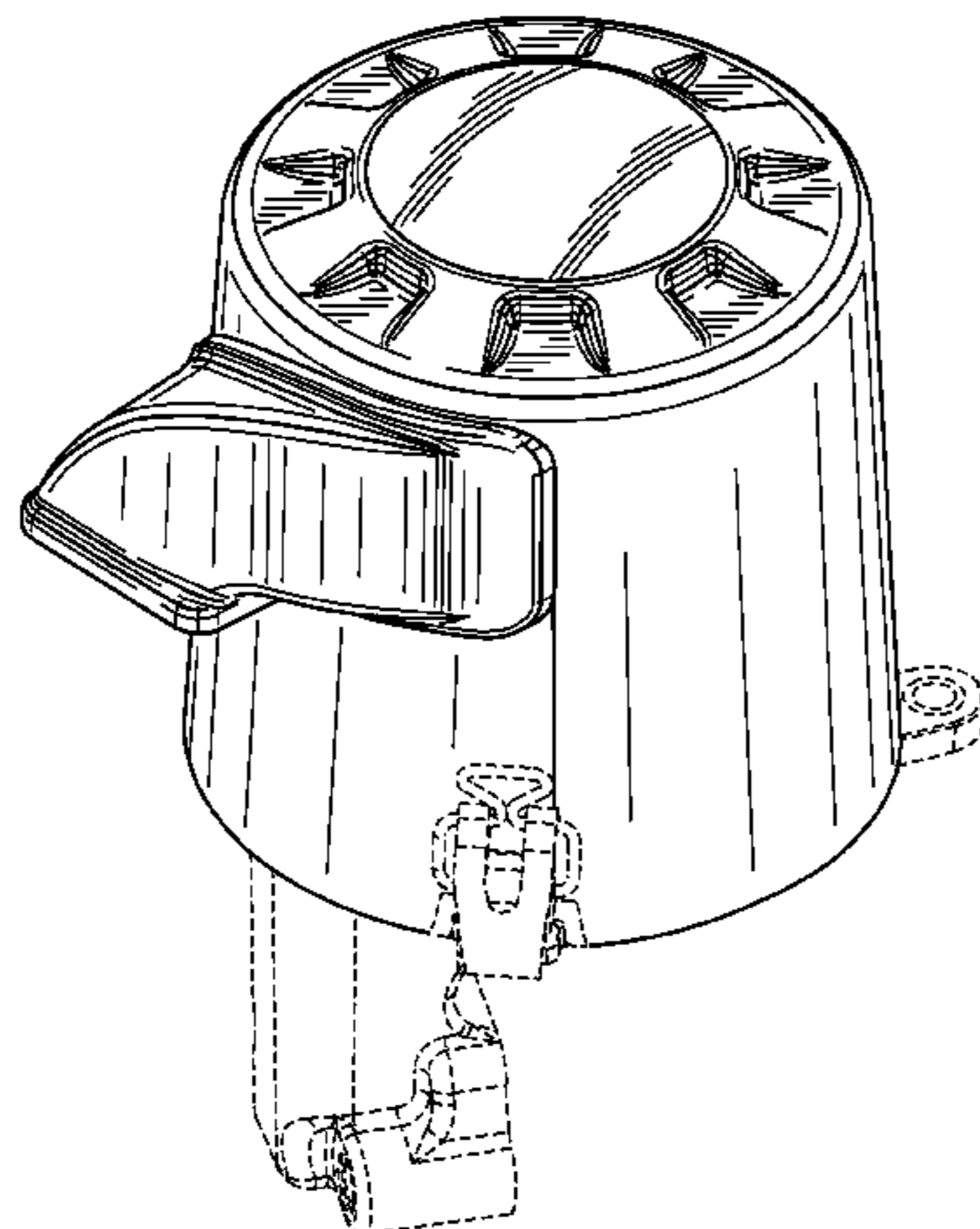
DESCRIPTION

2,080,574 A 5/1937 McCoy
2,962,121 A 11/1960 Wilber
3,013,628 A 12/1961 Jacobs et al.
3,048,959 A 8/1962 Lowther
3,078,650 A 2/1963 Anderson et al.
3,147,100 A 9/1964 Wilber
3,169,844 A 2/1965 Young
3,201,927 A 8/1965 Wachter
3,319,404 A 5/1967 Lowther
3,429,108 A 2/1969 Larson
3,617,149 A 11/1971 Gibson
3,618,578 A 11/1971 Swantman et al.
3,672,130 A 6/1972 Sullivan et al.
3,680,286 A 8/1972 Nostrand et al.
3,698,161 A 10/1972 Brixius et al.
3,730,158 A 5/1973 Amand
3,745,753 A 7/1973 Risse

FIG. 1 is a perspective view of an embodiment of a cyclonic air cleaner housing;
FIG. 2 is a front view thereof;
FIG. 3 is a right side view thereof;
FIG. 4 is a left side view thereof;
FIG. 5 is top view thereof;
FIG. 6 is a rear view thereof; and,
FIG. 7 is a bottom view thereof.

The broken lines shown in the figures are for illustrative environmental purposes only and form no part of the claimed design.

1 Claim, 7 Drawing Sheets



US D632,770 S

Page 2

U.S. PATENT DOCUMENTS				
		5,545,241	A	8/1996 Vanderauwera et al.
		5,547,480	A	8/1996 Coulonvaux
		5,553,587	A	9/1996 Conoscenti
		5,556,440	A	9/1996 Mullins et al.
		5,575,247	A	11/1996 Nakayama et al.
		5,609,658	A	3/1997 Takemura et al.
		5,622,537	A	4/1997 Kahlbaugh et al.
		5,632,243	A	5/1997 Buchholz
		D381,411	S *	7/1997 Kapturowski D23/370
		5,674,603	A	10/1997 Stiles
		5,713,323	A	2/1998 Walsh et al.
		5,725,624	A	3/1998 Ernst et al.
		5,730,769	A	3/1998 Dungs et al.
		5,755,095	A	5/1998 Maurer
		5,755,842	A	5/1998 Patel et al.
		5,755,843	A	5/1998 Sundquist
		5,769,045	A	6/1998 Edwards et al.
		5,779,900	A	7/1998 Holm et al.
		5,800,581	A	9/1998 Gielink et al.
		5,813,384	A	9/1998 Lavender et al.
		D401,306	S	11/1998 Ward et al.
		D404,122	S *	1/1999 Hayashi et al. D23/370
		5,858,224	A	1/1999 Schwandt et al.
		5,863,313	A	1/1999 Coulonvaux
		5,865,863	A	2/1999 Desousa et al.
		D407,475	S	3/1999 Coulonvaux et al.
		5,882,367	A	3/1999 Morgan et al.
		5,893,937	A	4/1999 Moessinger
		5,897,676	A	4/1999 Engel et al.
		5,918,576	A	7/1999 Ohoka et al.
		5,921,214	A	7/1999 Fujita et al.
		D412,567	S	8/1999 Ward et al.
		5,951,729	A	9/1999 Ernst et al.
		5,954,577	A	9/1999 Meckler
		D416,317	S	11/1999 Bellil et al.
		5,980,618	A	11/1999 Holzmann et al.
		5,983,632	A	11/1999 Fujita et al.
		D417,497	S *	12/1999 Schroeter et al. D23/393
		D421,110	S	2/2000 Coulonvaux et al.
		6,022,055	A	2/2000 Coulonvaux et al.
		6,026,768	A	2/2000 Spitler
		D422,069	S	3/2000 Decker
		6,039,778	A	3/2000 Coulonvaux
		6,044,811	A	4/2000 Kouchi et al.
		6,051,042	A	4/2000 Coulonvaux
		6,071,370	A	6/2000 Stiles
		6,085,915	A	7/2000 Schwandt et al.
		D428,978	S *	8/2000 Ito et al. D23/354
		6,096,108	A	8/2000 Coulonvaux et al.
		6,098,586	A	8/2000 Bloomer
		6,139,607	A	10/2000 Coulonvaux
		6,149,700	A	11/2000 Morgan et al.
		6,167,862	B1	1/2001 Powell et al.
		6,171,355	B1	1/2001 Gieseke et al.
		6,179,890	B1	1/2001 Ramos et al.
		6,183,544	B1	2/2001 Ormond et al.
		6,187,073	B1	2/2001 Gieseke et al.
		D439,648	S *	3/2001 Jones et al. D23/370
		6,196,203	B1	3/2001 Grieve
		D440,645	S	4/2001 Coulonvaux et al.
		6,216,453	B1	4/2001 Mourer
		6,217,627	B1	4/2001 Vyskocil et al.
		6,220,020	B1	4/2001 Takahashi
		D443,054	S *	5/2001 Spaggiari D23/370
		6,231,630	B1	5/2001 Ernst
		6,234,132	B1	5/2001 Kopec et al.
		6,235,073	B1	5/2001 Banister et al.
		6,251,150	B1	6/2001 Small et al.
		6,251,151	B1	6/2001 Kobayashi et al.
		6,261,334	B1	7/2001 Morgan et al.
		6,264,712	B1	7/2001 Decker
		6,286,471	B1	9/2001 Powell
		6,290,739	B1	9/2001 Gieseke et al.
3,920,426	A	11/1975	Tu et al.	
3,925,044	A	12/1975	Tu et al.	
3,966,014	A	6/1976	Gowing	
4,006,000	A	2/1977	Tortorici et al.	
4,038,051	A	7/1977	Ide	
4,133,847	A	1/1979	Feuerman	
4,135,899	A	1/1979	Gavuer	
4,168,686	A	9/1979	Wakita et al.	
4,197,101	A	4/1980	Cote, Jr. et al.	
4,197,102	A	4/1980	Decker	
4,222,755	A	9/1980	Grotto	
4,227,898	A	10/1980	Kamekawa et al.	
4,233,043	A	11/1980	Catterson	
4,235,609	A	11/1980	Garigioli	
4,242,115	A	12/1980	Harold et al.	
4,243,397	A	1/1981	Tokar et al.	
4,261,710	A	4/1981	Sullivan	
4,278,455	A	7/1981	Nardi	
4,322,230	A	3/1982	Schoen et al.	
4,331,459	A	5/1982	Copley	
4,342,576	A	8/1982	Seki et al.	
4,350,509	A	9/1982	Alseth et al.	
4,388,091	A	6/1983	Khosropour	
4,396,407	A	8/1983	Reese	
4,440,555	A	4/1984	Chichester	
4,460,390	A	7/1984	Alseth et al.	
4,482,365	A	11/1984	Roach	
4,482,368	A	11/1984	Roberts	
4,491,460	A	1/1985	Tokar	
4,548,166	A	10/1985	Gest	
4,592,316	A	6/1986	Shiratsuchi et al.	
4,619,677	A	10/1986	Matheson et al.	
4,653,457	A	3/1987	Stege	
4,664,684	A	5/1987	Dunn et al.	
4,681,608	A	7/1987	Nagashima	
4,720,292	A	1/1988	Engel et al.	
4,758,256	A	7/1988	Machado	
4,759,783	A	7/1988	Machado	
4,790,864	A	12/1988	Kostun	
4,806,135	A	2/1989	Siposs	
4,813,385	A	3/1989	Yamaguchi	
4,838,901	A	6/1989	Schmidt et al.	
RE33,085	E	10/1989	Petersen	
4,871,381	A	10/1989	Smith	
4,897,097	A	1/1990	Yamamura	
4,950,317	A	8/1990	Dottermans	
4,969,937	A	11/1990	Tassicker	
5,013,182	A	5/1991	Coulonvaux et al.	
5,022,903	A	6/1991	Decker	
5,030,264	A	7/1991	Klotz et al.	
5,059,221	A	10/1991	McWilliam	
5,082,476	A	1/1992	Kahlbaugh et al.	
5,106,397	A	4/1992	Jaroszczyk et al.	
5,120,334	A	6/1992	Cooper	
5,120,337	A	6/1992	Benzler et al.	
5,125,940	A	6/1992	Stanhope et al.	
5,137,557	A	8/1992	Behrendt et al.	
5,160,519	A	11/1992	Svensson et al.	
5,167,683	A	12/1992	Behrendt et al.	
5,171,342	A	12/1992	Trefz	
5,197,282	A	3/1993	Kume	
5,213,596	A	5/1993	Kume et al.	
5,277,157	A	1/1994	Teich	
5,352,256	A	10/1994	Stead et al.	
5,408,977	A	4/1995	Cotton	
5,449,391	A	9/1995	Decker	
5,472,463	A	12/1995	Herman et al.	
5,472,464	A	12/1995	Mochida	
5,477,819	A	12/1995	Kopec	
5,494,497	A	2/1996	Lee	
5,505,756	A	4/1996	Decker	

US D632,770 S

6,306,192 B1	10/2001	Greif et al.	2002/0059867 A1	5/2002	Gieseke et al.
6,306,193 B1	10/2001	Morgan et al.	2004/0163538 A1	8/2004	Huber
6,311,483 B1	11/2001	Hori	2005/0061265 A1	3/2005	Yuasa et al.
6,312,491 B2	11/2001	Coulonvaux	2005/0092284 A1	5/2005	Nakamizo
6,334,887 B1	1/2002	Coulonvaux	2005/0193694 A1	9/2005	Gieseke et al.
6,340,011 B1	1/2002	Jainek	2006/0196481 A1	9/2006	Mills et al.
6,340,375 B1	1/2002	Depietro, III et al.	2006/0219221 A1	10/2006	Tsuruta et al.
6,361,574 B1	3/2002	Decker	2007/0068145 A1	3/2007	Wassmur et al.
6,383,243 B1	5/2002	Yoder	2007/0079794 A1	4/2007	Rotter
6,383,244 B1	5/2002	Wake	2007/0126235 A1	6/2007	Xiao
6,391,076 B1	5/2002	Jaroszczuk et al.	2007/0234903 A1	10/2007	Xu et al.
6,395,048 B1	5/2002	Yoder et al.	2007/0240404 A1	10/2007	Pekrul et al.
6,398,832 B2	6/2002	Morgan et al.	2009/0308250 A1	12/2009	Rotter et al.
6,401,961 B1	6/2002	Butler			
6,402,798 B1	6/2002	Kallsen et al.			
6,409,786 B1	6/2002	Wright et al.			
6,413,289 B2	7/2002	Engel et al.			
6,416,561 B1	7/2002	Kallsen et al.			
6,416,563 B1	7/2002	Wright et al.			
6,419,718 B1	7/2002	Klug et al.			
6,425,930 B1	7/2002	Wake et al.			
6,427,364 B1	8/2002	Heismann et al.			
6,436,162 B1	8/2002	Wake et al.			
6,474,284 B1	11/2002	Baumann et al.			
D467,654 S	12/2002	Klug et al.			
6,517,595 B2	2/2003	Kino et al.			
6,540,801 B2	4/2003	Gieseke et al.			
6,564,766 B2	5/2003	Ayton			
6,592,655 B2	7/2003	Iriyama et al.			
6,599,342 B2	7/2003	Andress et al.			
6,602,308 B1	8/2003	Carle et al.			
6,610,117 B2	8/2003	Gieseke et al.			
6,638,332 B1	10/2003	Schmitz et al.			
6,641,636 B2	11/2003	Willig et al.			
6,641,637 B2	11/2003	Kallsen et al.			
6,663,685 B2	12/2003	Wright et al.			
6,673,136 B2	1/2004	Gillingham et al.			
6,681,726 B2	1/2004	Linsbauer et al.			
6,691,662 B2	2/2004	Pontoppidan			
6,726,742 B2	4/2004	Arden et al.			
D492,759 S	7/2004	Yoshida			
6,758,186 B2	7/2004	Janoske			
6,789,385 B2	9/2004	Glover			
6,792,925 B2	9/2004	Dworatzek et al.			
6,805,088 B2	10/2004	Tachibana et al.			
6,814,772 B1	11/2004	Wake et al.			
6,852,148 B2	2/2005	Gieseke et al.			
6,862,885 B1	3/2005	Mitchell			
6,878,189 B2	4/2005	Moredock			
6,890,375 B2	5/2005	Huber			
6,935,460 B2 *	8/2005	McCombs et al. 55/498			
6,991,664 B2	1/2006	Riehmann et al.			
7,004,987 B2	2/2006	Pikesh et al.			
7,028,463 B2	4/2006	Hammond et al.			
D520,619 S	5/2006	Kuempel et al.			
7,077,078 B2	7/2006	Yuasa et al.			
7,150,485 B2	12/2006	Wirges et al.			
7,159,577 B2	1/2007	Haskew et al.			
7,165,536 B2	1/2007	Kirk et al.			
D540,819 S	4/2007	Schmitt et al.			
D540,929 S	4/2007	Kowis			
7,197,869 B2	4/2007	Kokubo et al.			
7,201,155 B2	4/2007	Mills			
7,213,581 B2	5/2007	Burke et al.			
D544,090 S *	6/2007	Tomasiak D23/388			
7,267,112 B2	9/2007	Donahue et al.			
D554,745 S *	11/2007	Urfig et al. D23/351			
D555,775 S	11/2007	Bonde et al.			
D561,709 S *	2/2008	Watanabe et al. D23/370			
7,364,601 B2	4/2008	Xu et al.			
D584,392 S *	1/2009	Noda D23/370			
7,608,124 B2 *	10/2009	Geyer, III 55/498			
7,645,310 B2 *	1/2010	Krisko et al. 55/498			

FOREIGN PATENT DOCUMENTS

CN	1227810	9/1999
EP	197692	10/1986
EP	568560	11/1993
EP	900115	3/1999
EP	969911	1/2000
EP	1070841	1/2001
EP	1364696 A1	11/2003
EP	1767756	3/2007
GB	568038	3/1945
GB	909891	11/1962
GB	1150896	5/1969
GB	1304182	6/1969
GB	1582968	1/1981
GB	2064359 A	6/1981
GB	2172814	10/1986
GB	2376650	12/2002
GB	2393760	4/2004
JP	1147154	6/1976
JP	54067824	5/1979
JP	54151725 A	11/1979
JP	56096147 A	8/1981
JP	56113039 A	9/1981
JP	56151255 A	11/1981
JP	56165757 A	12/1981
JP	58077156 A	5/1983
JP	59150961 A	8/1984
JP	60243361 A	12/1985
JP	62126264 A	6/1987
JP	63041655	2/1988
JP	1106971	4/1989
JP	2045647	2/1990
JP	2197483 A2	8/1990
JP	2227546	9/1990
JP	3222813 A2	10/1991
JP	4347357	12/1992
JP	6346733 A2	12/1994
JP	7019038 A	1/1995
JP	7127531	5/1995
JP	8232654 A2	9/1996
JP	8232786	9/1996
JP	9088738	3/1997
JP	9168711	6/1997
JP	2000303835 A	10/2000
JP	2001200768	7/2001
JP	62197623 A	9/2001
JP	2002284072 A	10/2002
JP	2004225550 A	8/2004
JP	2006220002 A	8/2006
JP	2006281950 A	10/2006
JP	2007062643	3/2007
JP	2007113404 A	5/2007
JP	2007133404 A	5/2007
KR	2001108884	1/2000
WO	9741345	11/1997
WO	9836162 A1	8/1998
WO	9849440	11/1998
WO	0074818	12/2000

WO	0170374	A1	9/2001
WO	0231341		4/2002
WO	2005075805		8/2005
WO	2006002798		1/2006
WO	2006044893		4/2006
WO	2007047433	A	4/2007

OTHER PUBLICATIONS

Fleetguard OptiAir Technical Bulletin, Air Cleaner Data Sheet and Performance Curve; (c) Fleetguard 2005, TB08/04-2 Rev. 1, USA; www.fleetguard.com; 2 pages.

http://www.cumminsfiltration.com/pdfs/product_lit/americas_brochures/LT32624.pdf; OptiAir filter system.

PCT Written Opinion of the International Searching Authority, based on International Application No. PCT/US2009/003371; Nov. 23, 2009, 6 pages.

Fleetguard air cleaners; Nelson-Fleetguard 1-3, Nelson Assembly 1 & 2; competitor air cleaner assemblies; on or before Oct. 12, 2005 (5 pgs.).

Mahle-[http://www.mahle.com/C1256F7900537A47/vwContentByKey/W26QPJLS933STULEN/\\$FILE/](http://www.mahle.com/C1256F7900537A47/vwContentByKey/W26QPJLS933STULEN/$FILE/)

Filterprogramm_em.pdf; Jun. 2006 (20 pgs.).

http://www.cumminsfiltration.com/pdfs/product_lit/americas_brochures/air_housings.pdf; on or before Feb. 23, 2007;

Fleetguard filter housings on pp. E111 & E112.

http://www.cumminsfiltration.com/pdfs/product_lit/americas_brochures/LT32599_s4.pdf; on or before Feb. 23, 2007;

Fleetguard filter housing on p. 95 and OptiAir filters on pp. 101-126.

<http://www.mann-hummel.com/industrialfilters/upload/doc/HBSKOJhyaql.pdf>; includes a section on Europicion filters; Jun. 2005.

HBSKOJhyaql.pdf; includes a section on Europicion filters; Jun. 2005.

* cited by examiner

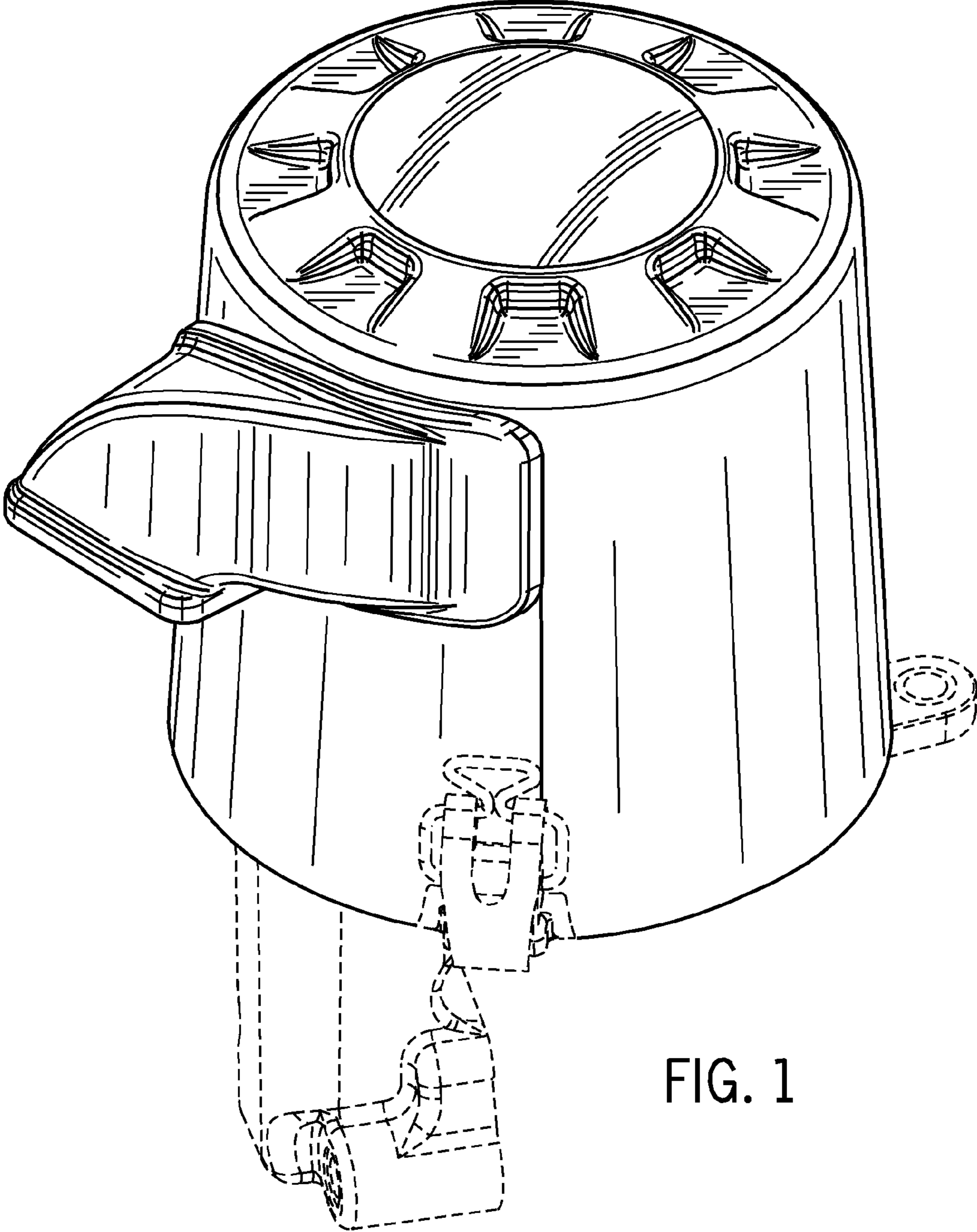


FIG. 1

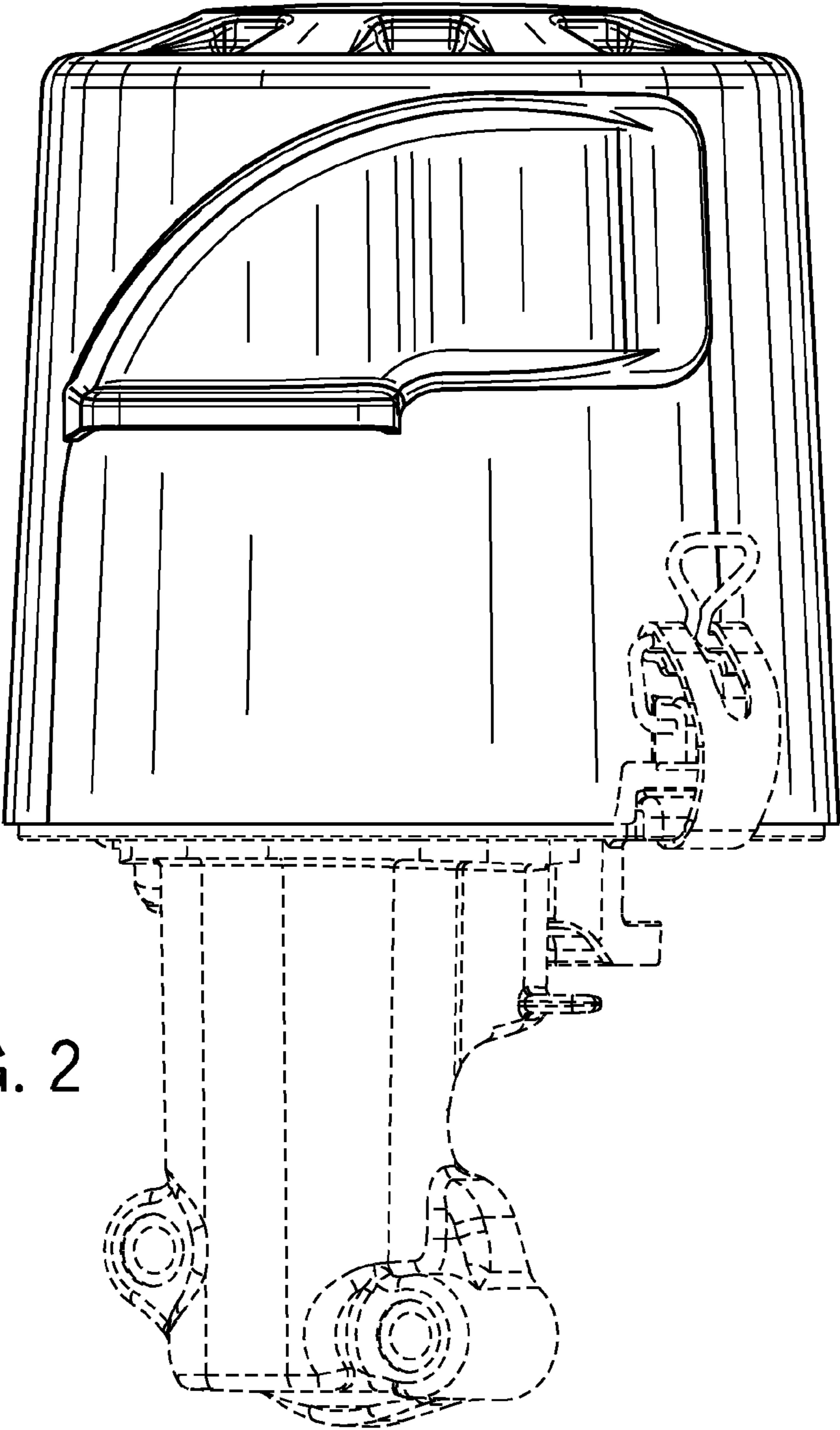


FIG. 2

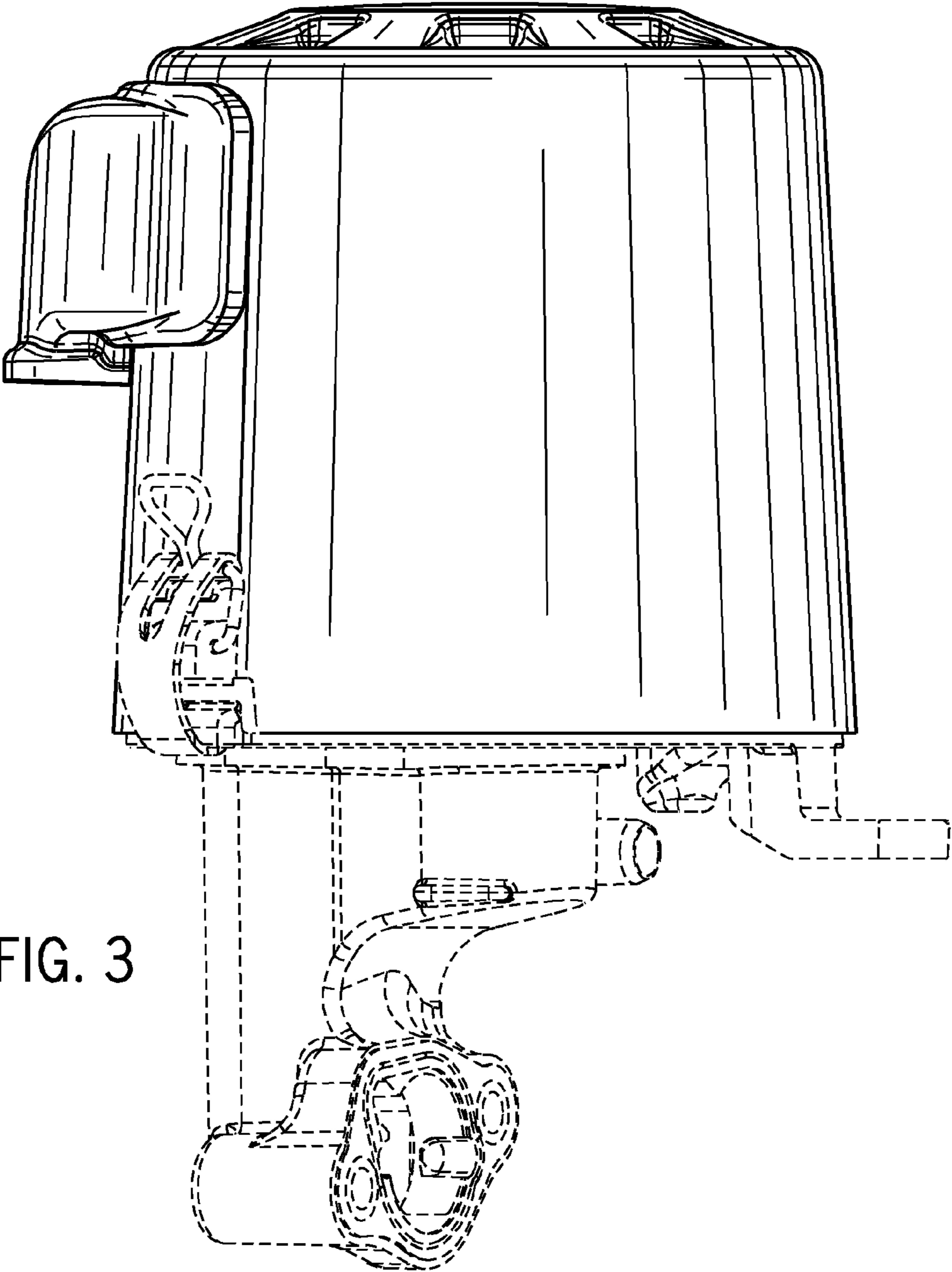


FIG. 3

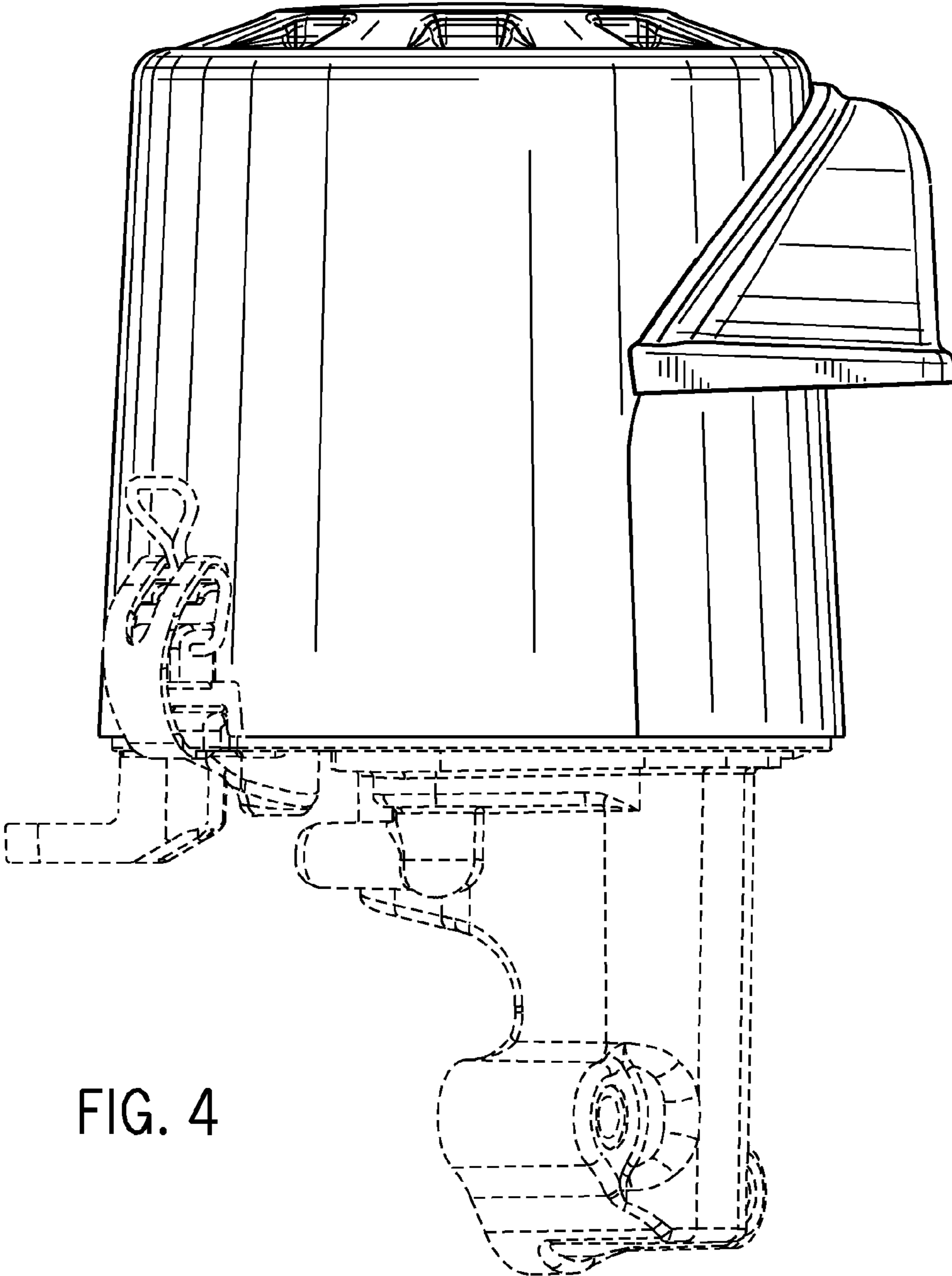


FIG. 4

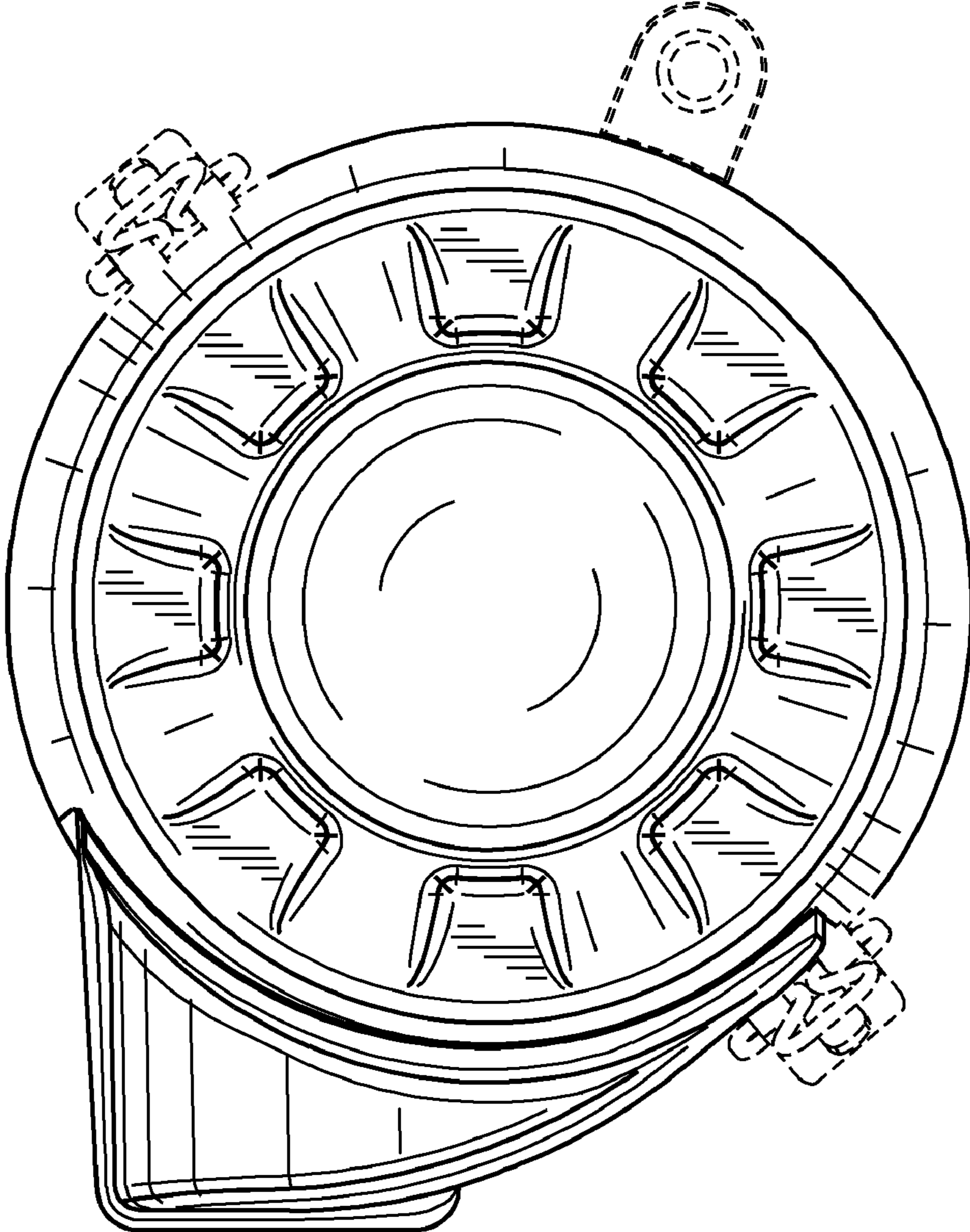


FIG. 5

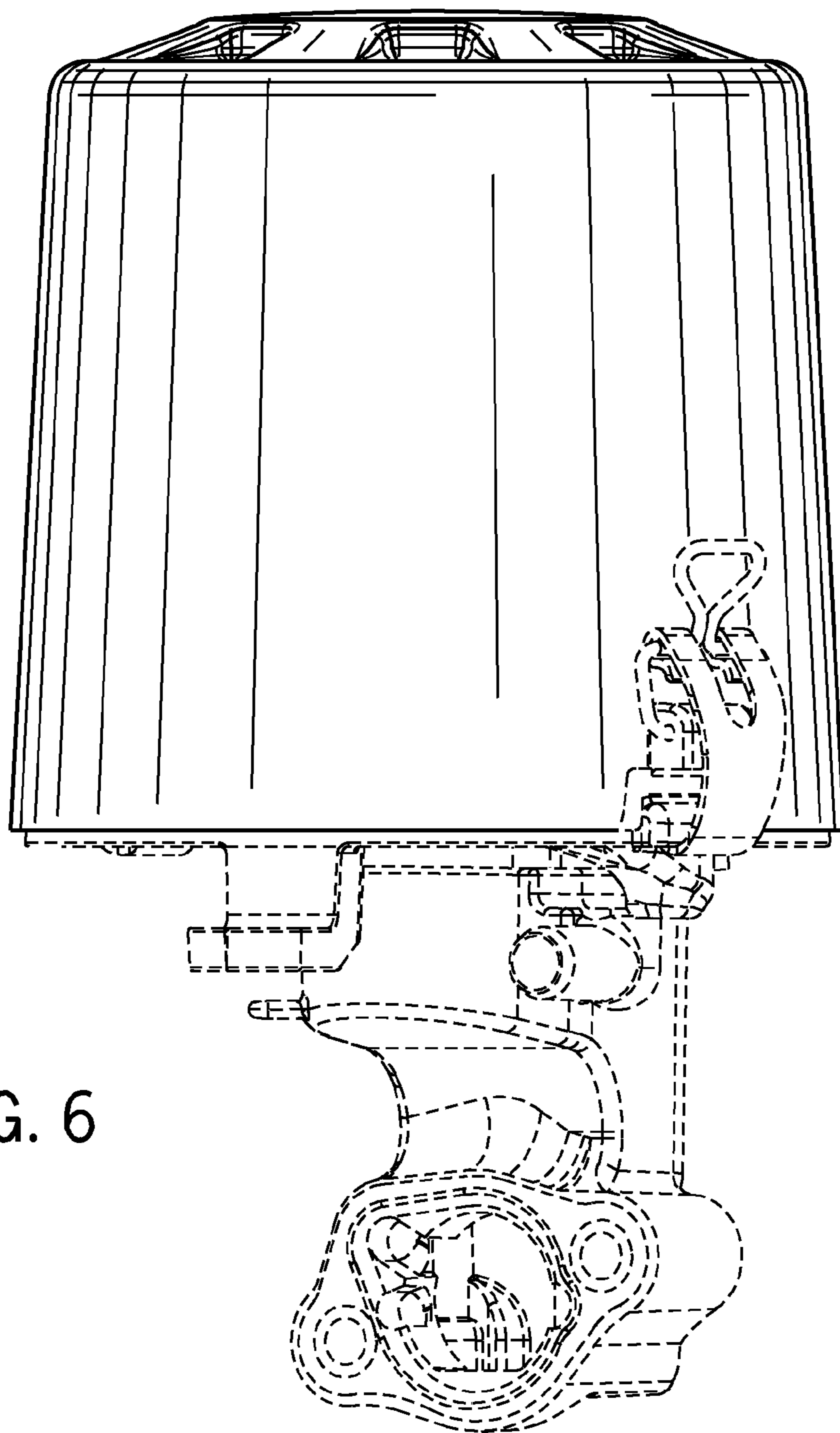


FIG. 6

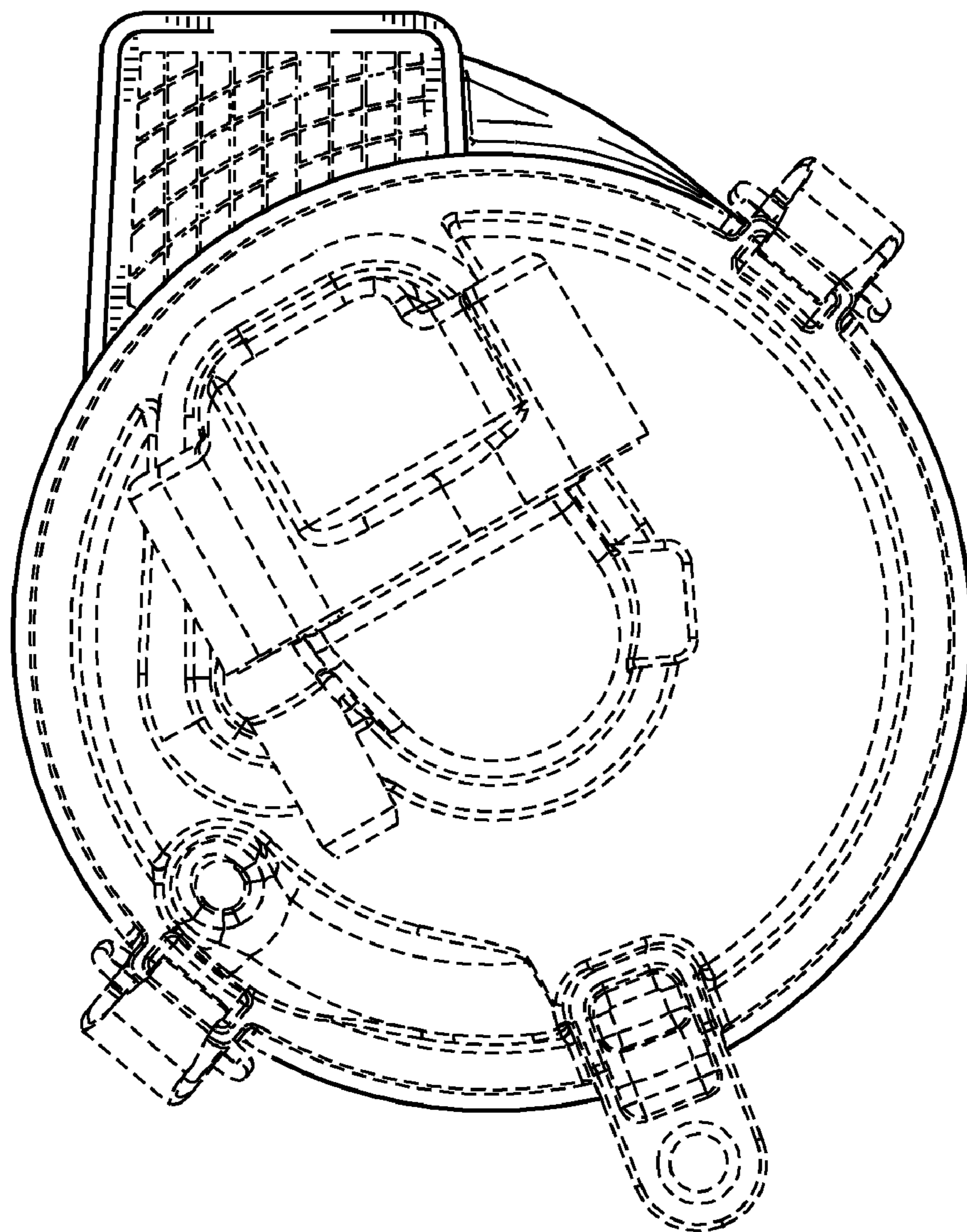


FIG. 7