



US00D632769S

(12) **United States Design Patent**  
**Seki**

(10) **Patent No.:** **US D632,769 S**

(45) **Date of Patent:** **\*\* Feb. 15, 2011**

(54) **AIR CONDITIONER**

D624,168 S \* 9/2010 Aketa et al. .... D23/351

(75) Inventor: **Kouichirou Seki**, Kusatsu (JP)

\* cited by examiner

(73) Assignee: **Daikin Industries Ltd.**, Osaka-Shi,  
Osaka (JP)

*Primary Examiner*—Brian N Vinson

(74) *Attorney, Agent, or Firm*—Manabu Kanesaka

(\*\*) Term: **14 Years**

(57) **CLAIM**

(21) Appl. No.: **29/347,909**

The ornamental design for an air conditioner, as shown and described.

(22) Filed: **Jul. 23, 2010**

**DESCRIPTION**

(51) **LOC (9) Cl.** ..... **23-04**

FIG. 1 is a perspective view of an air conditioner showing my new design;

(52) **U.S. Cl.** ..... **D23/351**

FIG. 2 is a front view thereof;

(58) **Field of Classification Search** ..... D23/351–354,  
D23/385, 355, 357, 361; 312/236; 62/259.1,  
62/259.4, 262–263, 304; 454/330–331, 349–350  
See application file for complete search history.

FIG. 3 is a rear view thereof;

FIG. 4 is a plan view thereof;

FIG. 5 is a bottom view thereof;

FIG. 6 is a left side view thereof; and,

FIG. 7 is a right side view thereof.

(56) **References Cited**

**U.S. PATENT DOCUMENTS**

D616,083 S \* 5/2010 Saitou ..... D23/351

D619,234 S \* 7/2010 Nakamura et al. .... D23/351

**1 Claim, 5 Drawing Sheets**

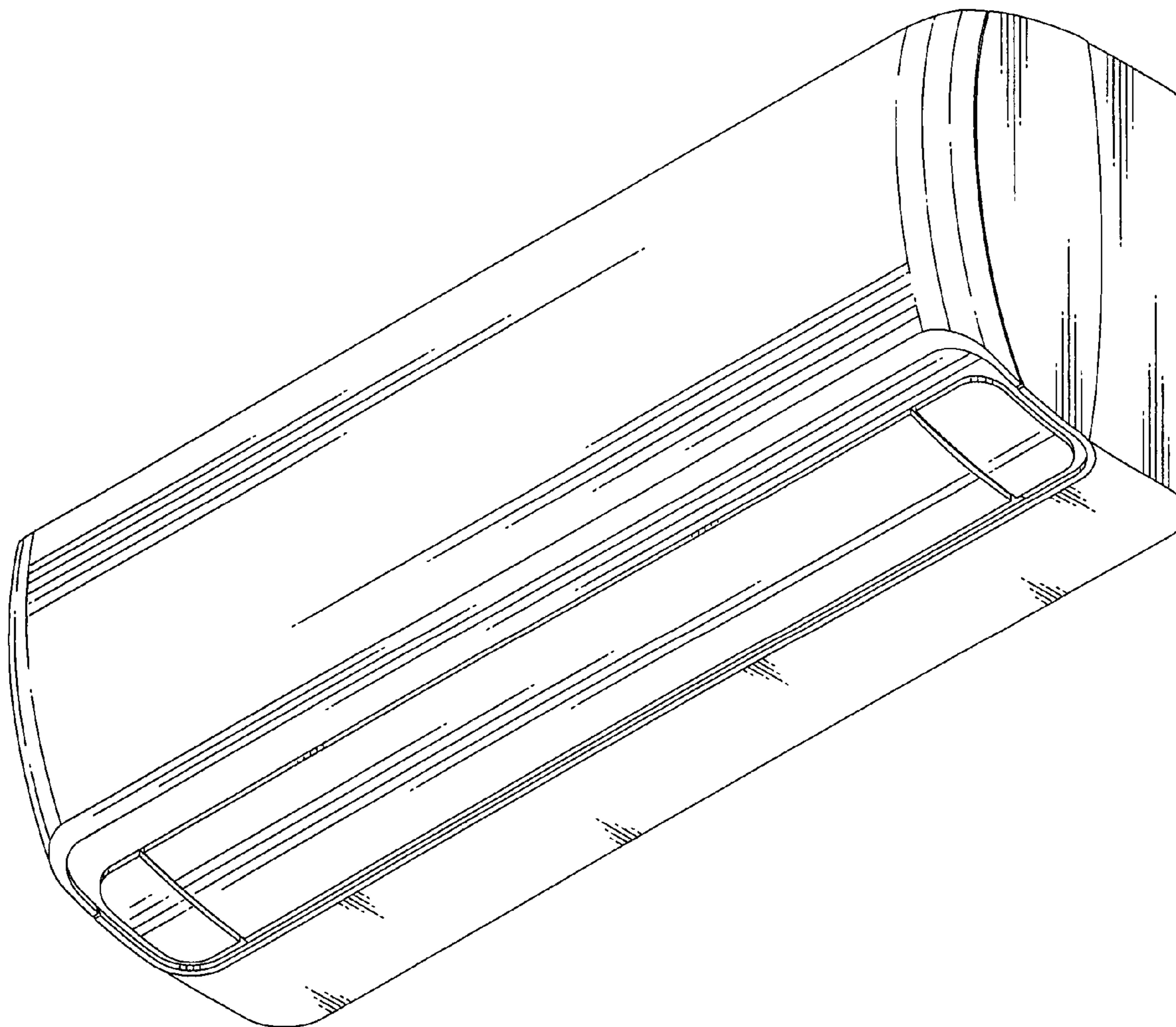


Fig.1

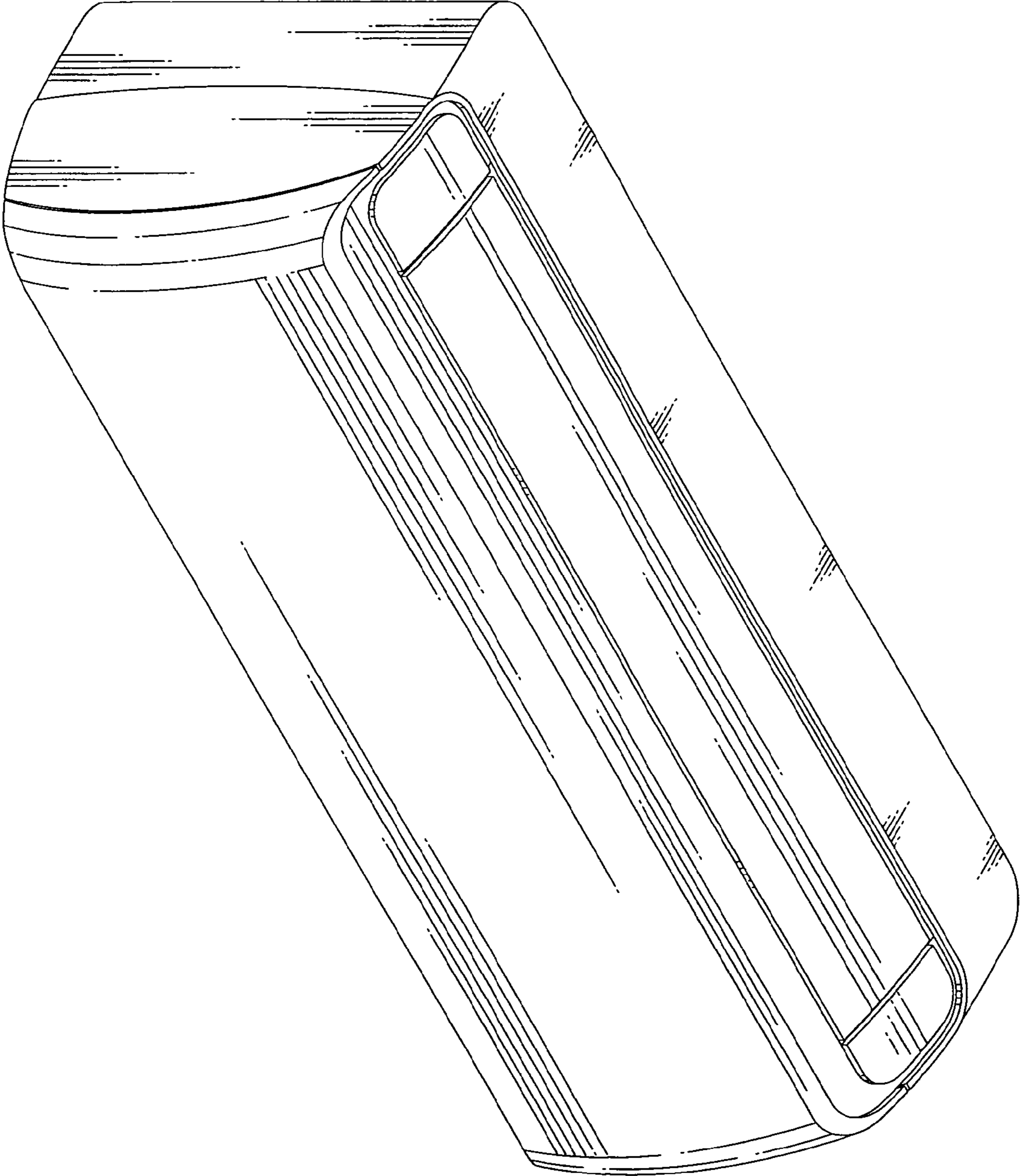


Fig.2

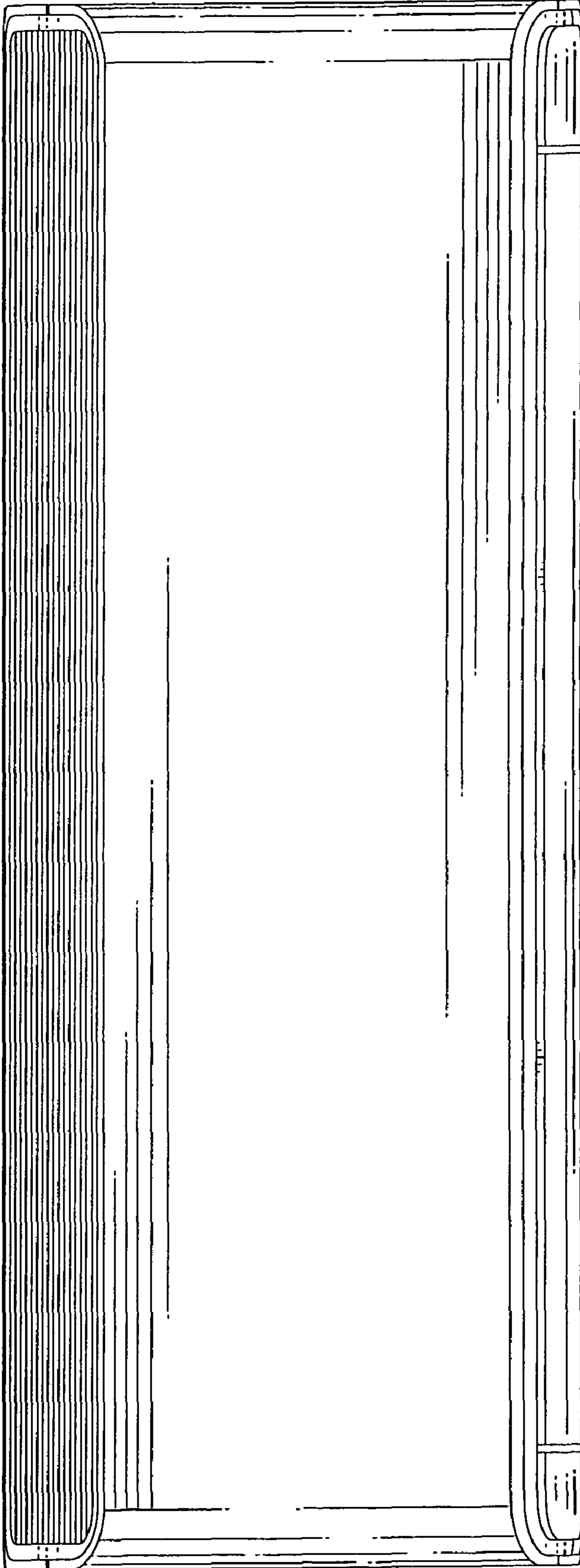


Fig.3

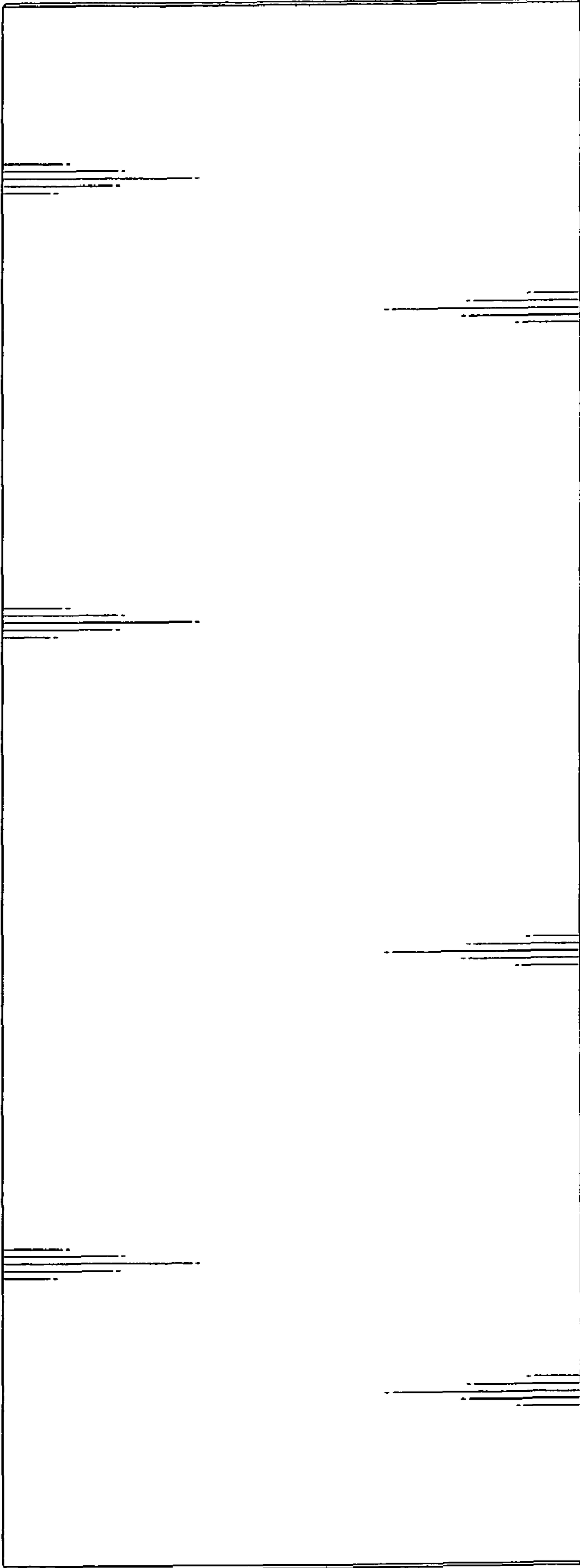


Fig.4

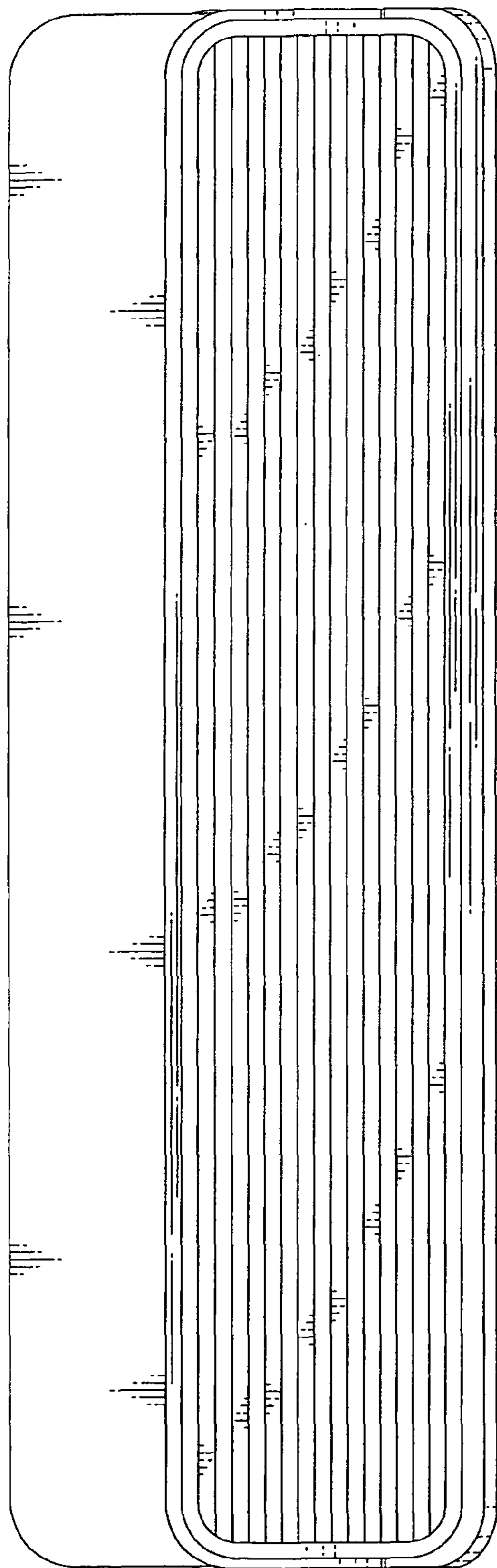


Fig.5

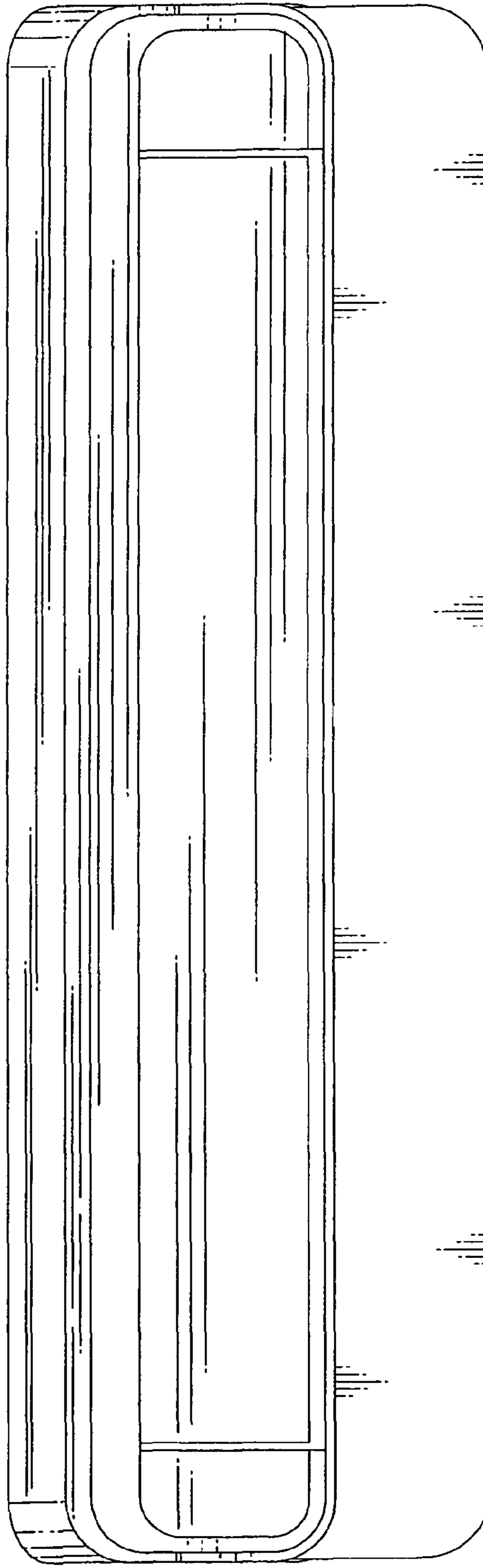


Fig.7

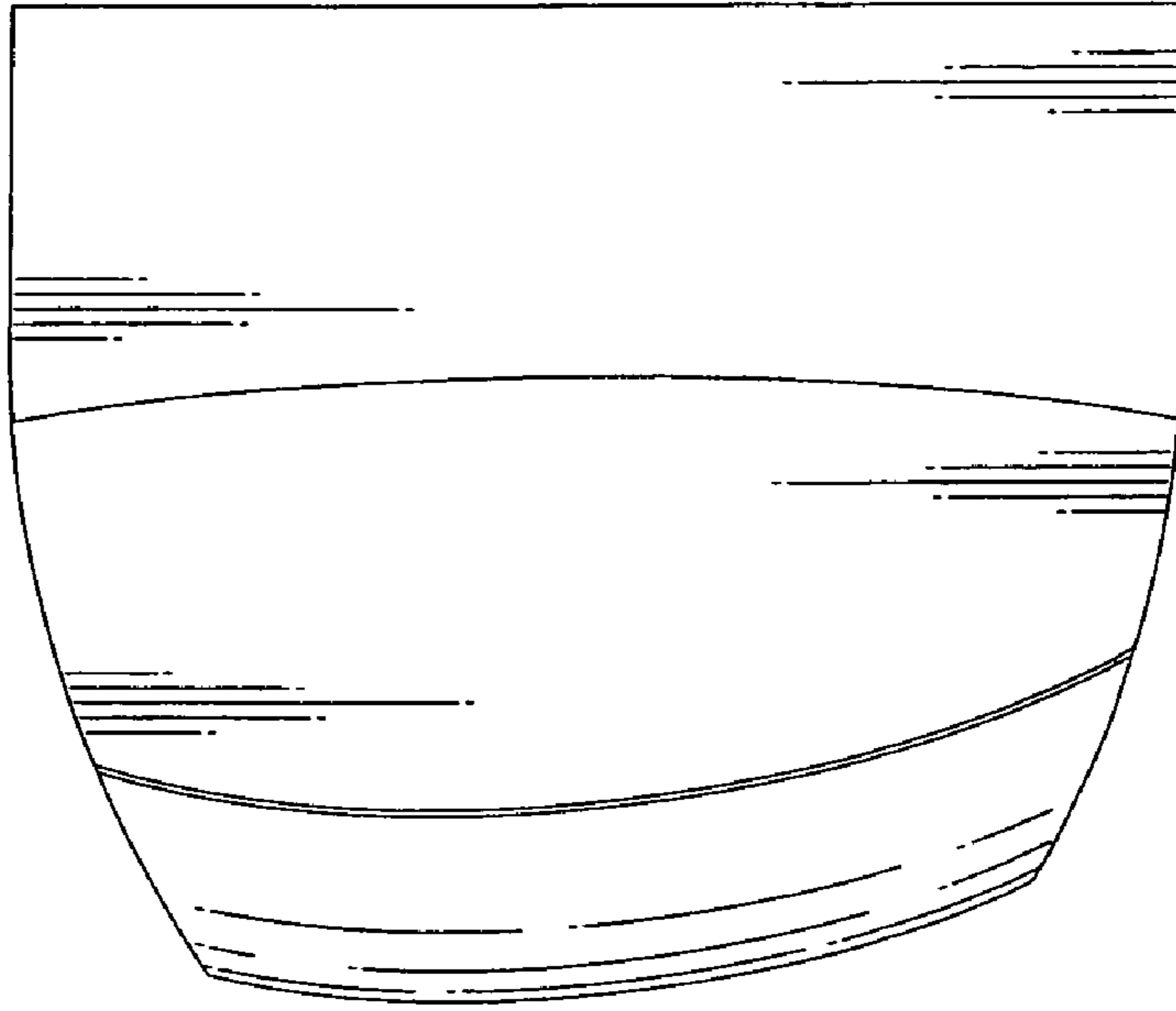


Fig.6

