



US00D632765S

(12) **United States Design Patent**  
**Stob et al.**

(10) **Patent No.:** **US D632,765 S**  
(45) **Date of Patent:** **\*\* Feb. 15, 2011**

(54) **HAND SANITIZING KIOSK**

(76) Inventors: **David J Stob**, 10300 Tarpom La., Unit 3,  
Placida, FL (US) 34496; **Keith Haluska**,  
13523 5<sup>th</sup> Ave. NE., Bradenton, FL (US)  
34212

(\*\*) Term: **14 Years**

(21) Appl. No.: **29/348,624**

(22) Filed: **Jan. 21, 2010**

- D142,242 S \* 8/1945 Miller ..... D6/439
- D223,840 S \* 6/1972 Loewy ..... D6/433
- D236,618 S \* 9/1975 Verlet ..... D23/271
- D281,714 S \* 12/1985 Morris et al. .... D23/274
- D287,748 S \* 1/1987 Landan et al. .... D23/286
- D344,830 S \* 3/1994 Carter et al. .... D23/271
- D544,071 S \* 6/2007 Teuscher et al. .... D23/234
- D553,753 S \* 10/2007 Mullett et al. .... D23/286

\* cited by examiner

*Primary Examiner*—Robert A Delehanty

(74) *Attorney, Agent, or Firm*—Richard K Thomson

**Related U.S. Application Data**

(63) Continuation of application No. 29/314,610, filed on  
Apr. 14, 2009, now abandoned, which is a continuation  
of application No. 29/308,725, filed on Jul. 1, 2008,  
now abandoned.

(51) **LOC (9) Cl.** ..... **23-02**

(52) **U.S. Cl.** ..... **D23/270**

(58) **Field of Classification Search** ..... D23/270–274,  
D23/286, 303, 308, 201; D6/441, 397–398,  
D6/443–444; 4/662–665, 619, 661, 670,  
4/210, DIG. 15

See application file for complete search history.

(56) **References Cited**

**U.S. PATENT DOCUMENTS**

- 1,602,556 A \* 10/1926 Shroyer ..... D23/286
- D107,551 S \* 12/1937 Sakier ..... D23/271
- D125,795 S \* 3/1941 Du Bois ..... D6/448

(57) **CLAIM**

The ornamental design for the hand sanitizing kiosk, as  
shown and described.

**DESCRIPTION**

FIG. 1 is a partial detailed front perspective view of the kiosk  
of the present invention;

FIG. 2 is a view of the right side of the kiosk;

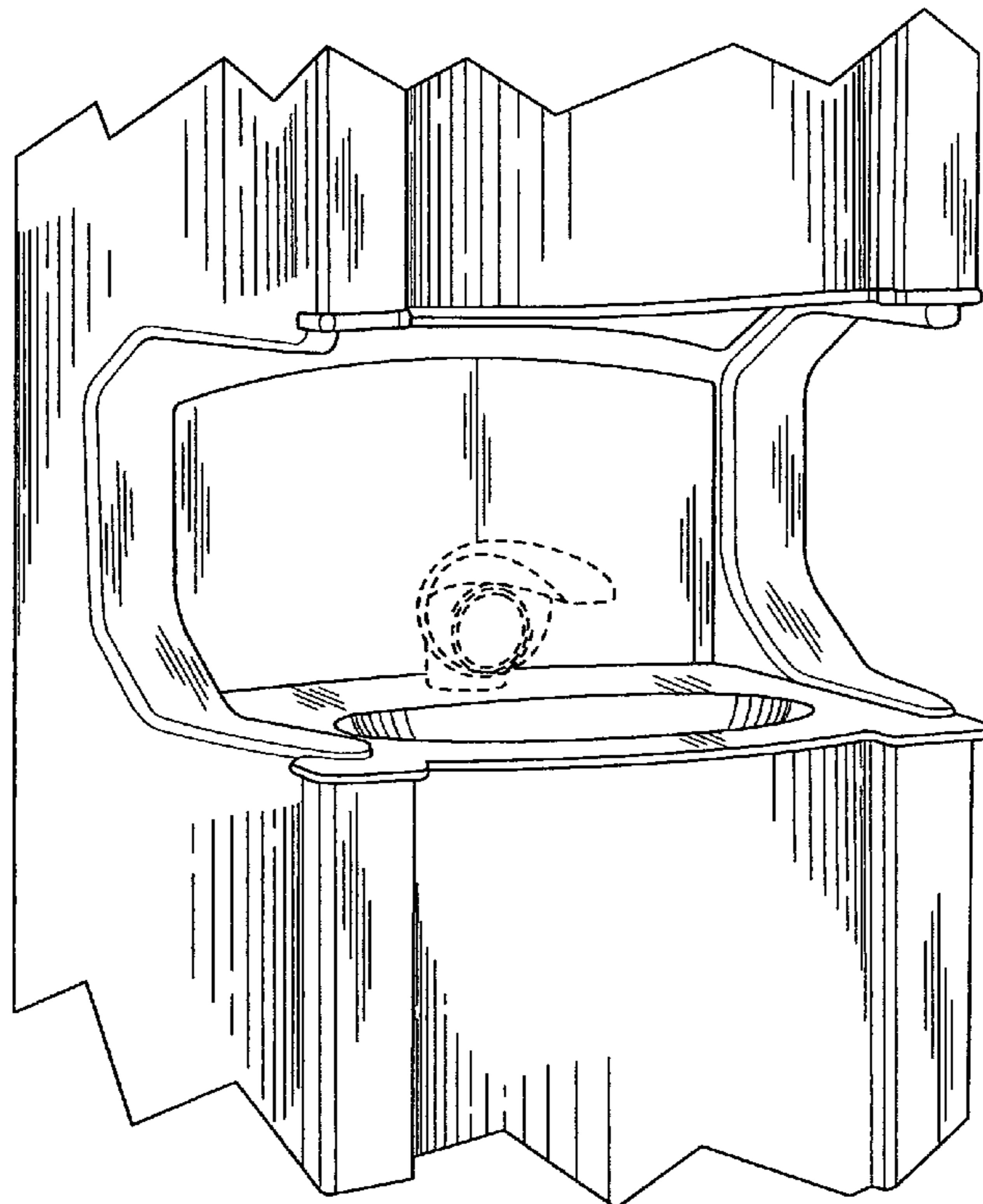
FIG. 3 is a view of the left side of the kiosk;

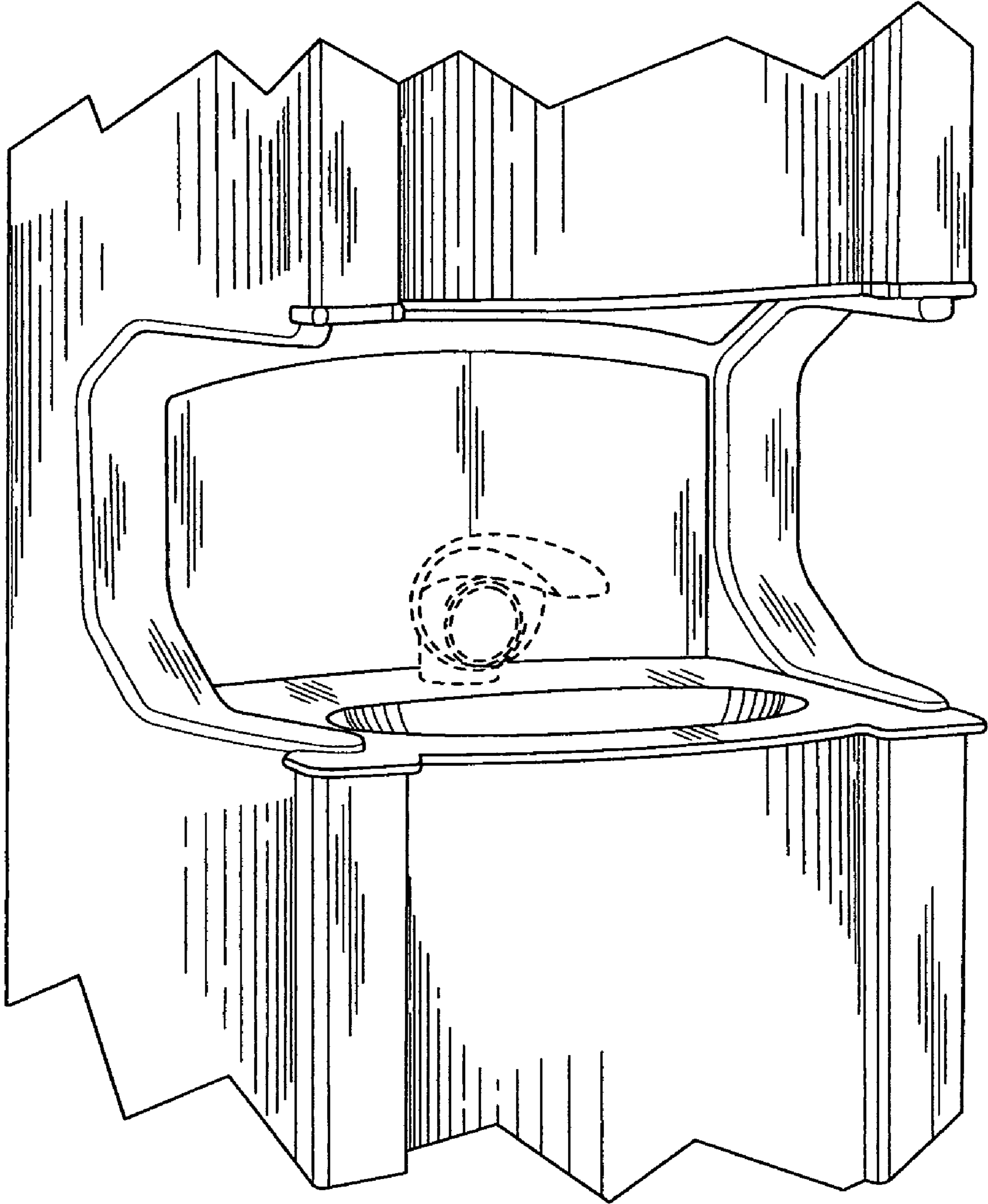
FIG. 4 is front view of the kiosk; and,

FIG. 5 is a rear view of the kiosk with the wheel assembly  
shown in phantom as forming no part of the present design.

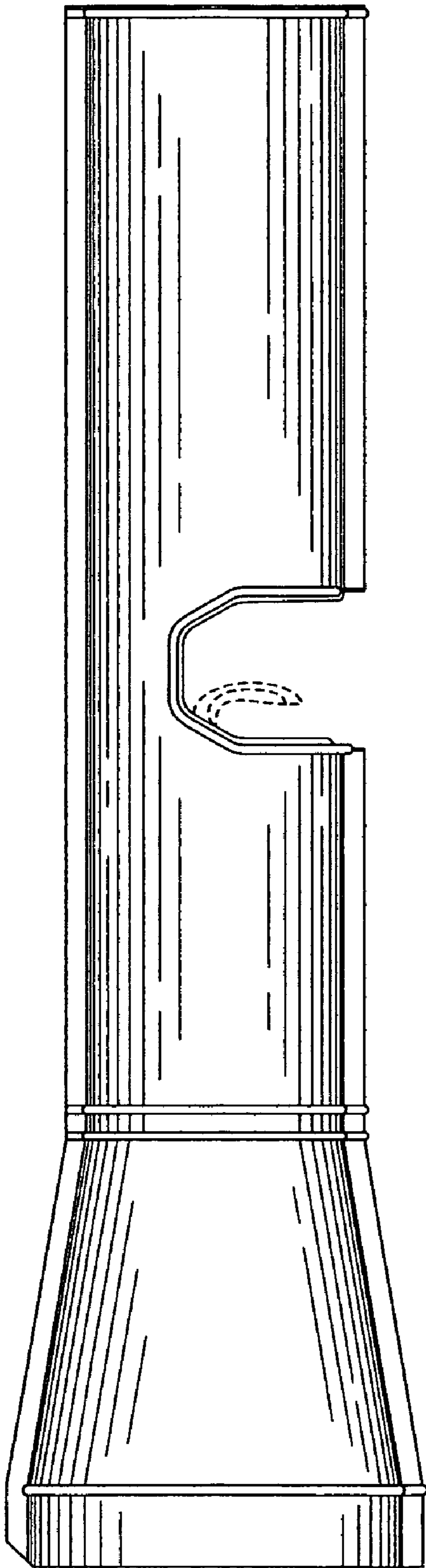
The broken lines showing of faucet (and any additional items  
reduced to broken lines as suggested above) are included for  
the purpose of illustrating unclaimed features and forms no  
part of the claimed design.

**1 Claim, 3 Drawing Sheets**

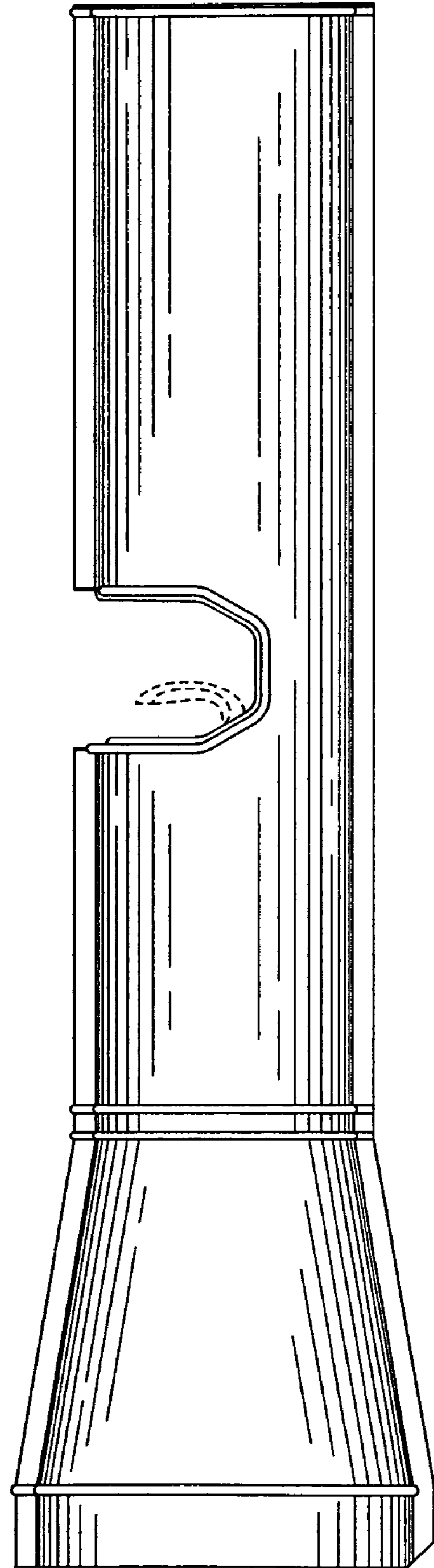




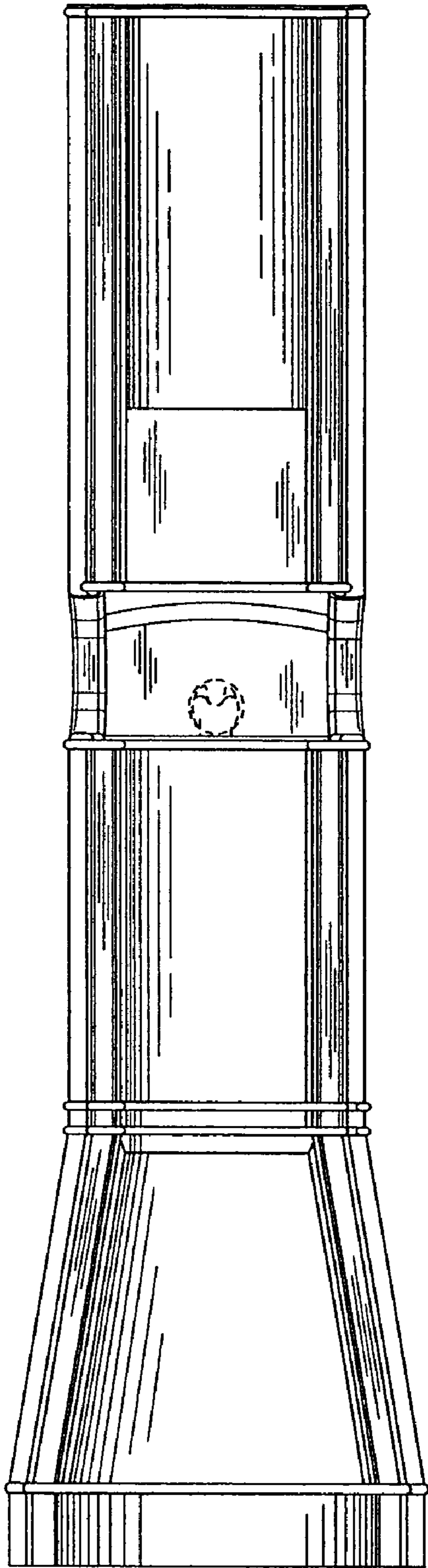
*Fig. 1*



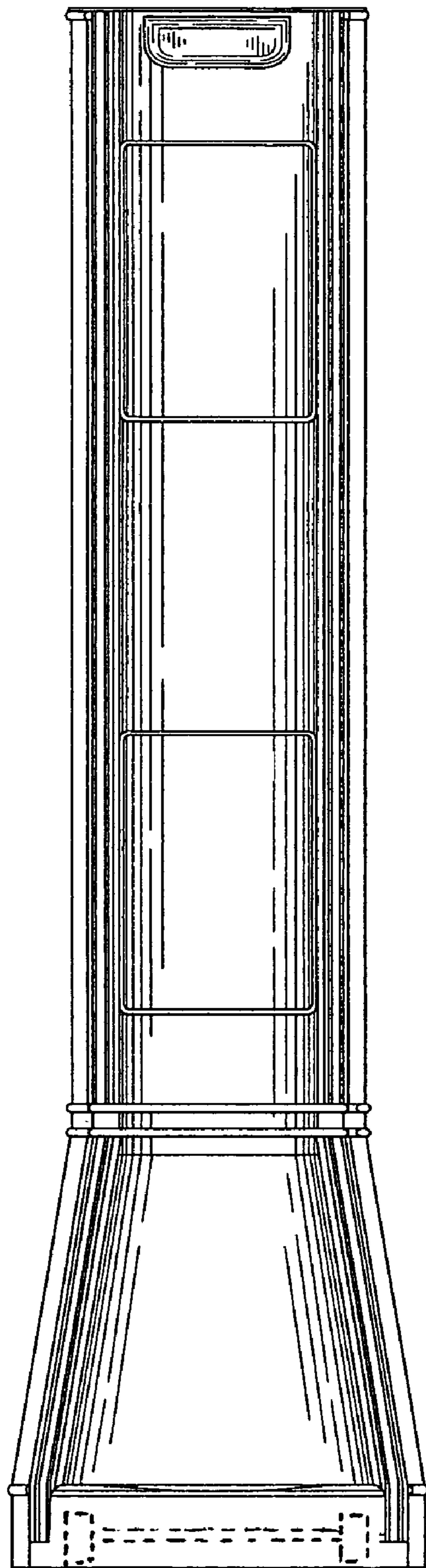
*Fig. 2*



*Fig. 3*



*Fig. 4*



*Fig. 5*