



US00D632763S

(12) **United States Design Patent**
McCarthy

(10) **Patent No.:** **US D632,763 S**

(45) **Date of Patent:** **** Feb. 15, 2011**

(54) **FLANGED SLEEVE CONNECTOR FOR A
SECURE ENCLOSURE IN A SECURE
CONDUIT SYSTEM**

(75) Inventor: **Craig McCarthy**, Denton, MD (US)

(73) Assignee: **Holocom, Inc.**, Carlsbad, CA (US)

(**) Term: **14 Years**

(21) Appl. No.: **29/303,929**

(22) Filed: **Feb. 20, 2008**

(51) **LOC (9) Cl.** **23-01**

(52) **U.S. Cl.** **D23/262**

(58) **Field of Classification Search** D23/259–262;
D8/387, 397; 4/286–287; 114/197; 138/89,
138/91, 158; 217/110; 220/288; 222/552,
222/554, 546, 563; 285/139.1, 148.18, 148.23,
285/242, 251, 256, 353, 423, 921; 174/665,
174/68.1, 68.3; 52/220.7

See application file for complete search history.

(56) **References Cited**

U.S. PATENT DOCUMENTS

967,404	A	8/1910	Marshall	
1,127,483	A	2/1915	Meinecke	
1,881,943	A	10/1932	Radar	
2,397,655	A	4/1946	Francis	
D209,377	S *	11/1967	Pomroy	D23/260
3,736,969	A *	6/1973	Warn et al.	411/179
3,895,466	A *	7/1975	Melton	29/890.14
5,277,456	A *	1/1994	Mer et al.	285/21.2
D363,767	S *	10/1995	Swaim	D23/260
5,618,145	A *	4/1997	Kuo	411/432
5,967,567	A	10/1999	Nordstrom	
6,102,442	A *	8/2000	Gretz	285/40
D450,235	S *	11/2001	Shinjo et al.	D8/397
D451,791	S *	12/2001	Shinjo et al.	D8/397
D452,429	S *	12/2001	Shinjo et al.	D8/397
6,378,912	B1 *	4/2002	Condon et al.	285/220
6,450,549	B1 *	9/2002	Schutz	285/256
6,489,560	B1	12/2002	Wu	
6,585,297	B2 *	7/2003	Mullen, Jr.	285/149.1

7,008,196 B2 * 3/2006 Hokkirigawa et al. 417/423.3

7,017,951 B2 * 3/2006 Spears 285/390

7,053,303 B2 5/2006 McCarthy et al.

D543,259 S * 5/2007 Chueh et al. D23/262

D545,405 S * 6/2007 Nightlinger et al. D23/260

(Continued)

OTHER PUBLICATIONS

Office Action for U.S. Appl. No. 12/256,709 issued Jul. 19, 2010, 28 pages.

Primary Examiner—T. Chase Nelson

Assistant Examiner—John Windmuller

(74) *Attorney, Agent, or Firm*—Procopio, Cory, Hargreaves & Savitch LLP

(57) **CLAIM**

The ornamental design for a flanged sleeve connector for a secure enclosure in a secure conduit system, as shown and described.

DESCRIPTION

FIG. 1 is a front perspective view of a flanged sleeve connector for a secure enclosure in a secure conduit system, showing my new design;

FIG. 2 is a rear perspective view thereof;

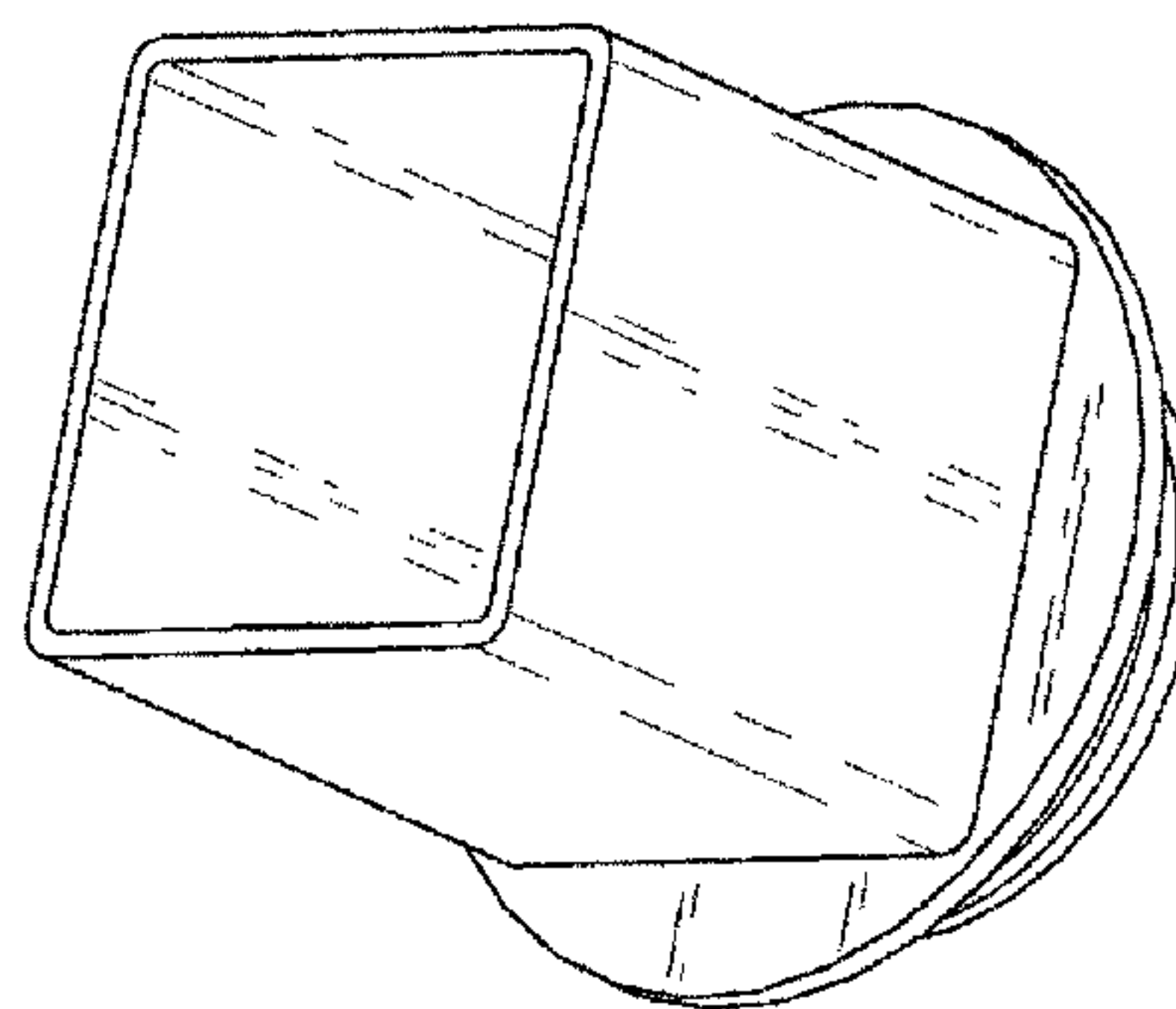
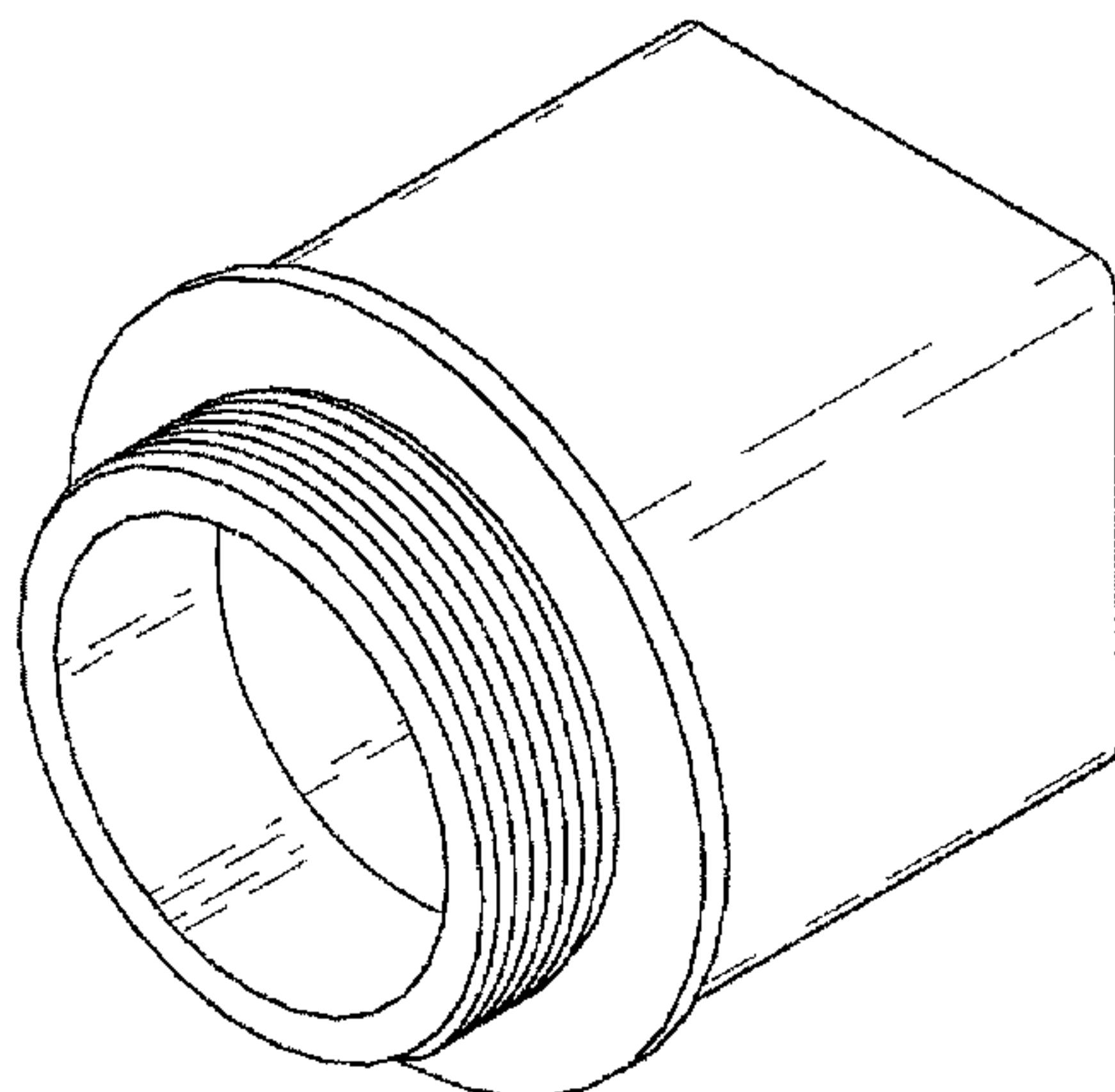
FIG. 3 is a first end elevation view of my new design;

FIG. 4 is a right side elevation view thereof, the left side elevation view being a mirror image thereof;

FIG. 5 is a second end elevation view thereof; and,

FIG. 6 is a side elevation view thereof in which the flange connector is secured to a secure enclosure and the broken line showing of the enclosure is for illustrative purposes and forms no part of the claimed design.

1 Claim, 3 Drawing Sheets



US D632,763 S

Page 2

U.S. PATENT DOCUMENTS

D549,804 S *	8/2007	Lewis et al.	D23/262	D585,530 S *	1/2009	Ito	D23/259
D554,237 S *	10/2007	Lewis et al.	D23/259	2002/0066581 A1	6/2002	Bashford	
7,296,810 B2 *	11/2007	Thannikary et al.	280/93.5	* cited by examiner			

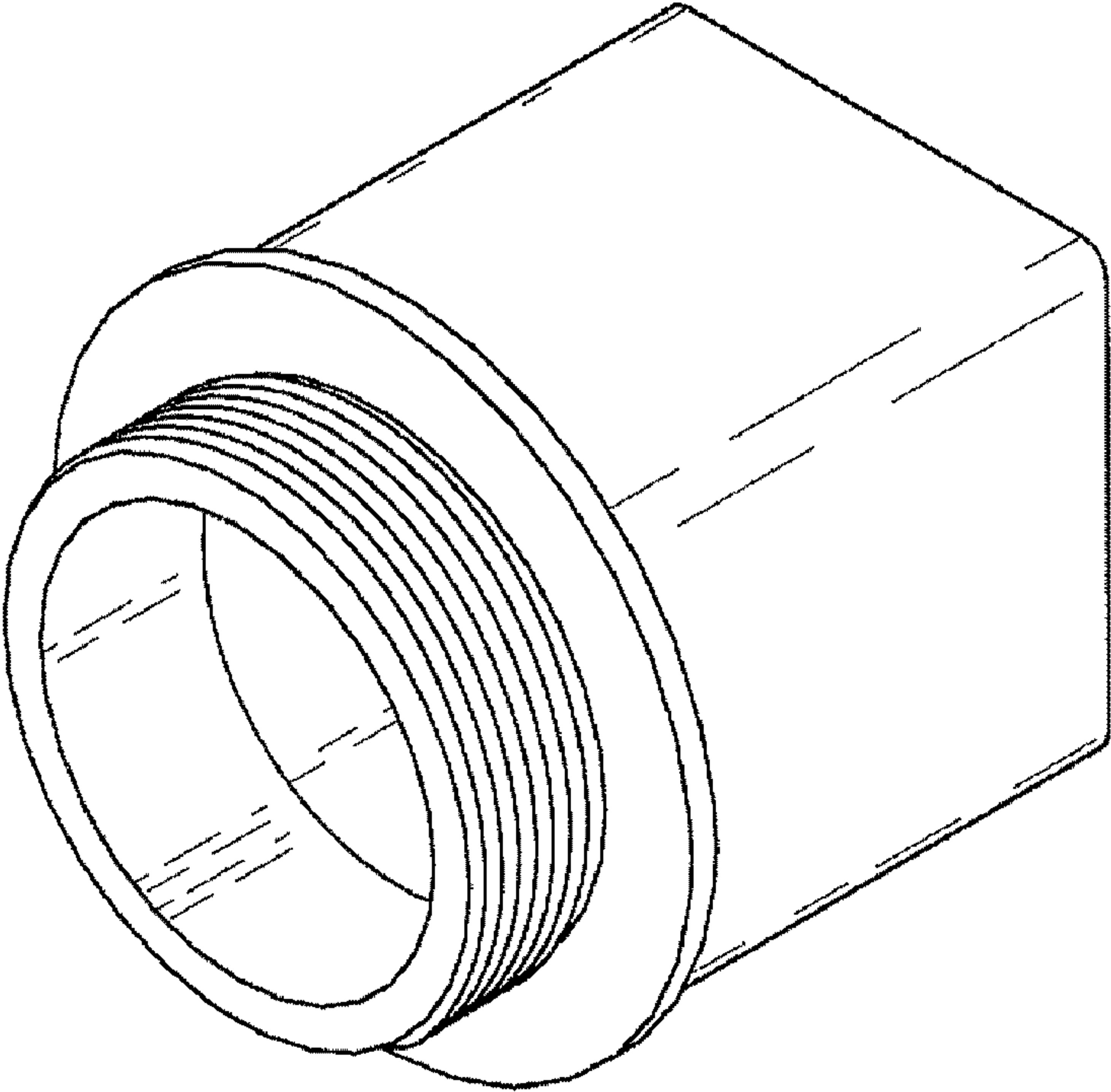


FIG. 1

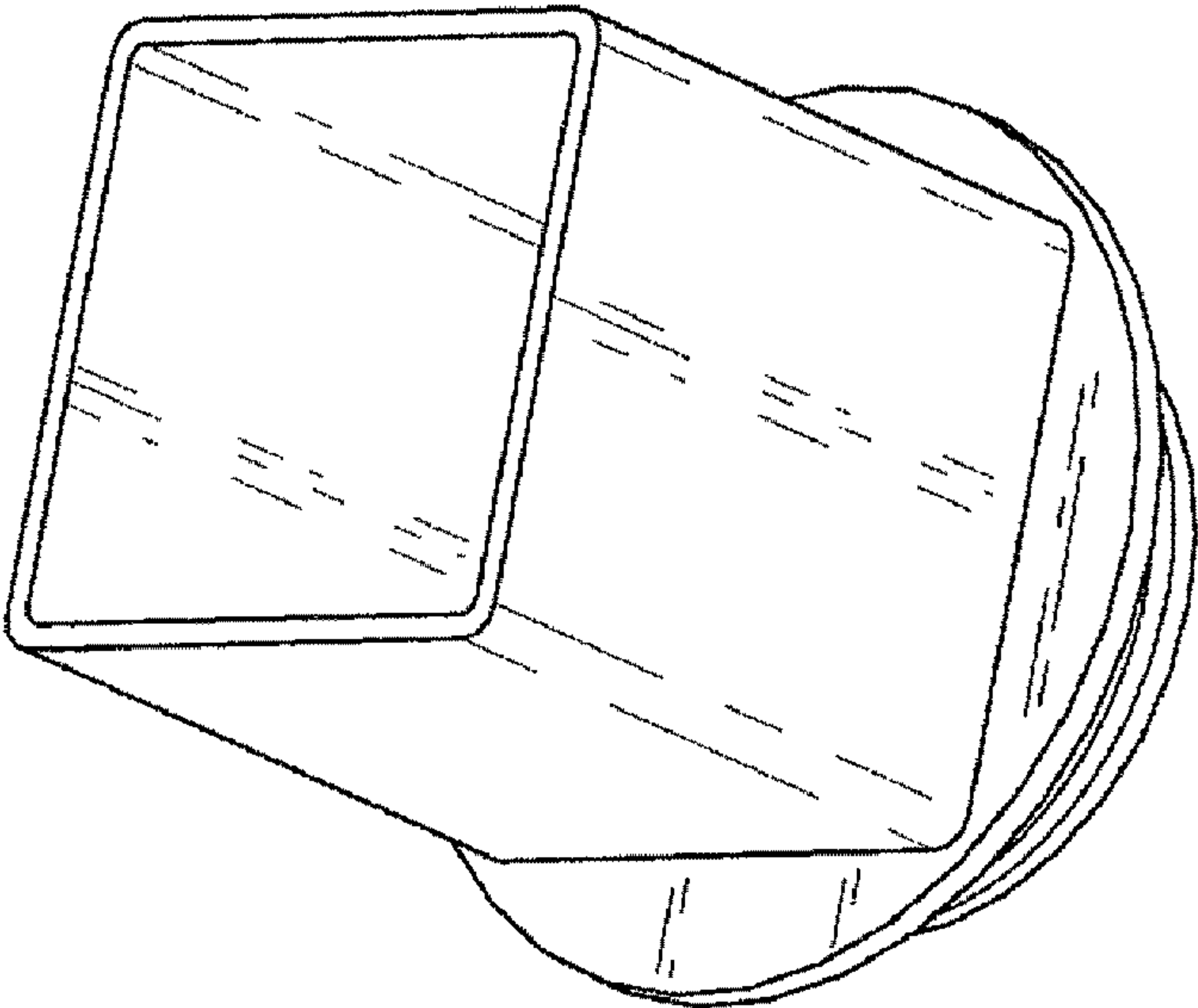


FIG. 2

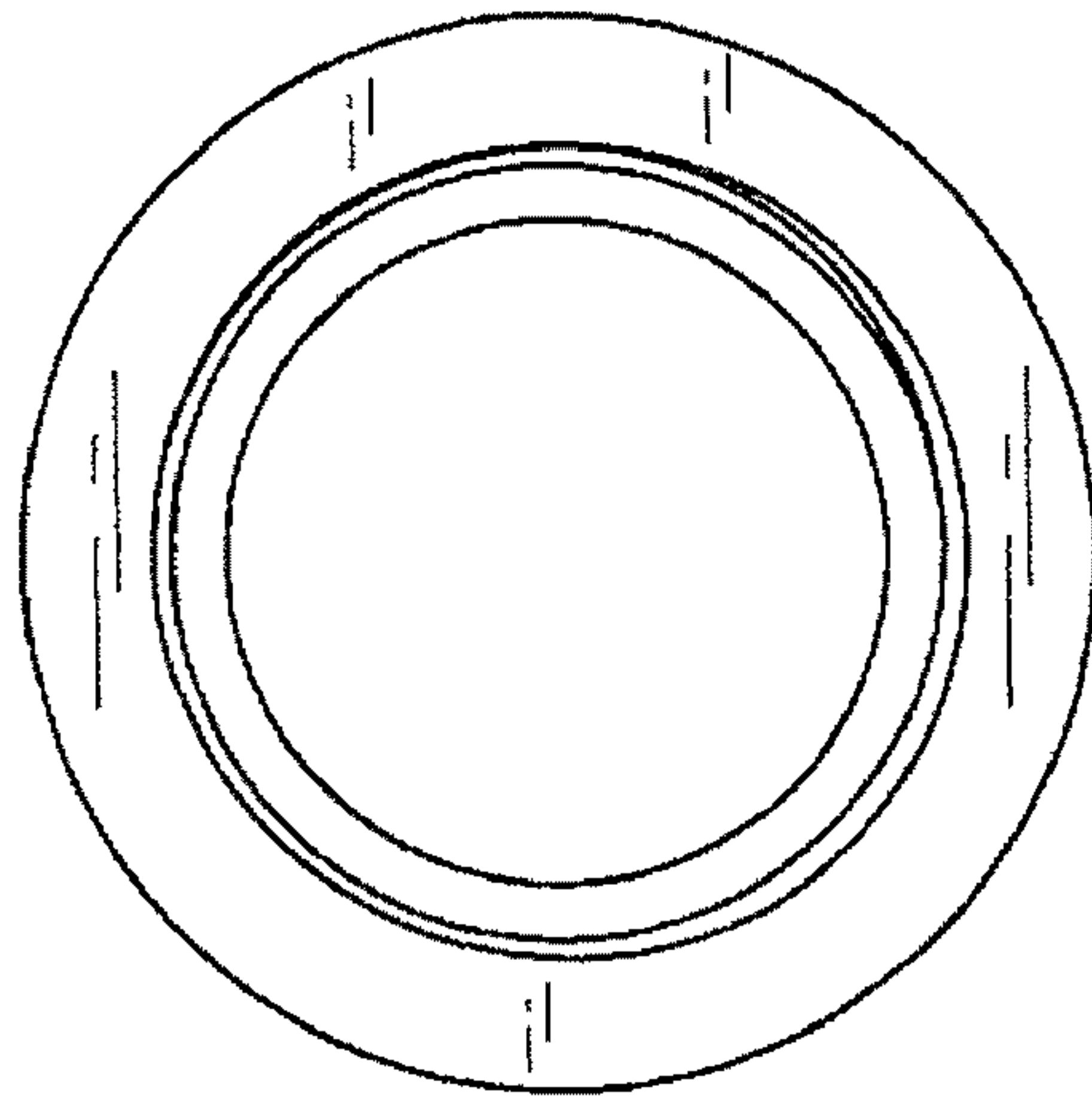


FIG. 3

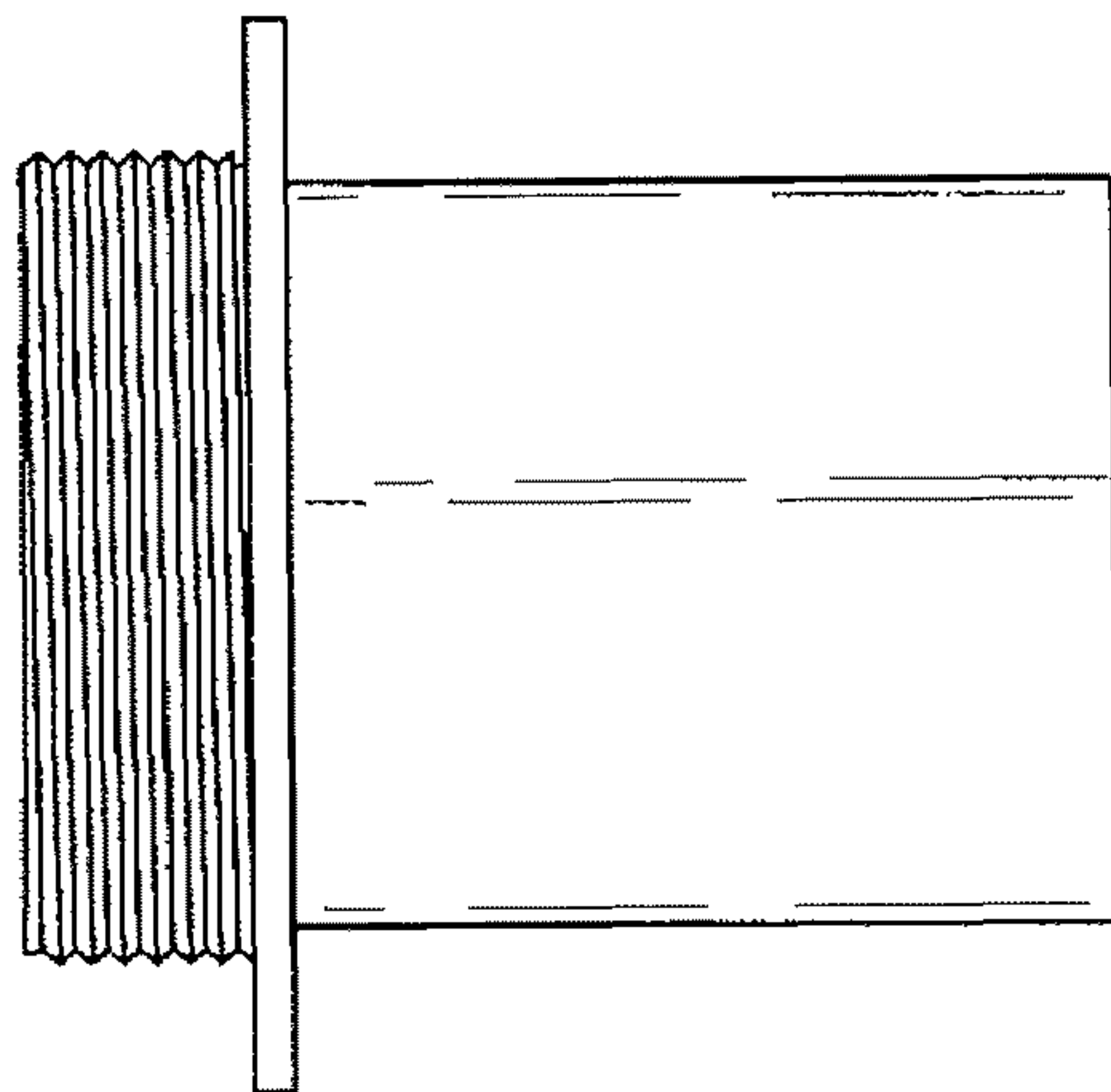


FIG. 4

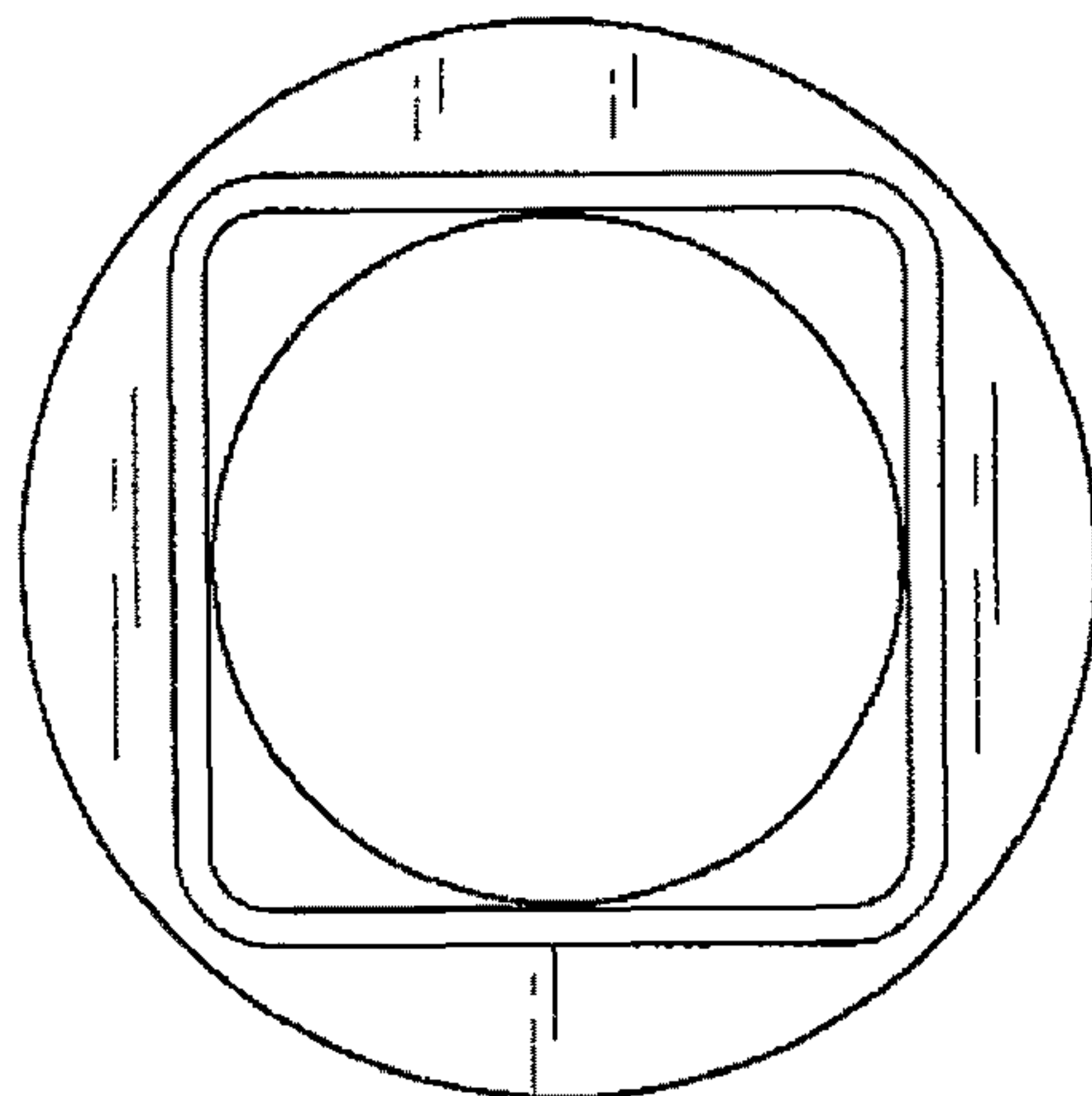


FIG. 5

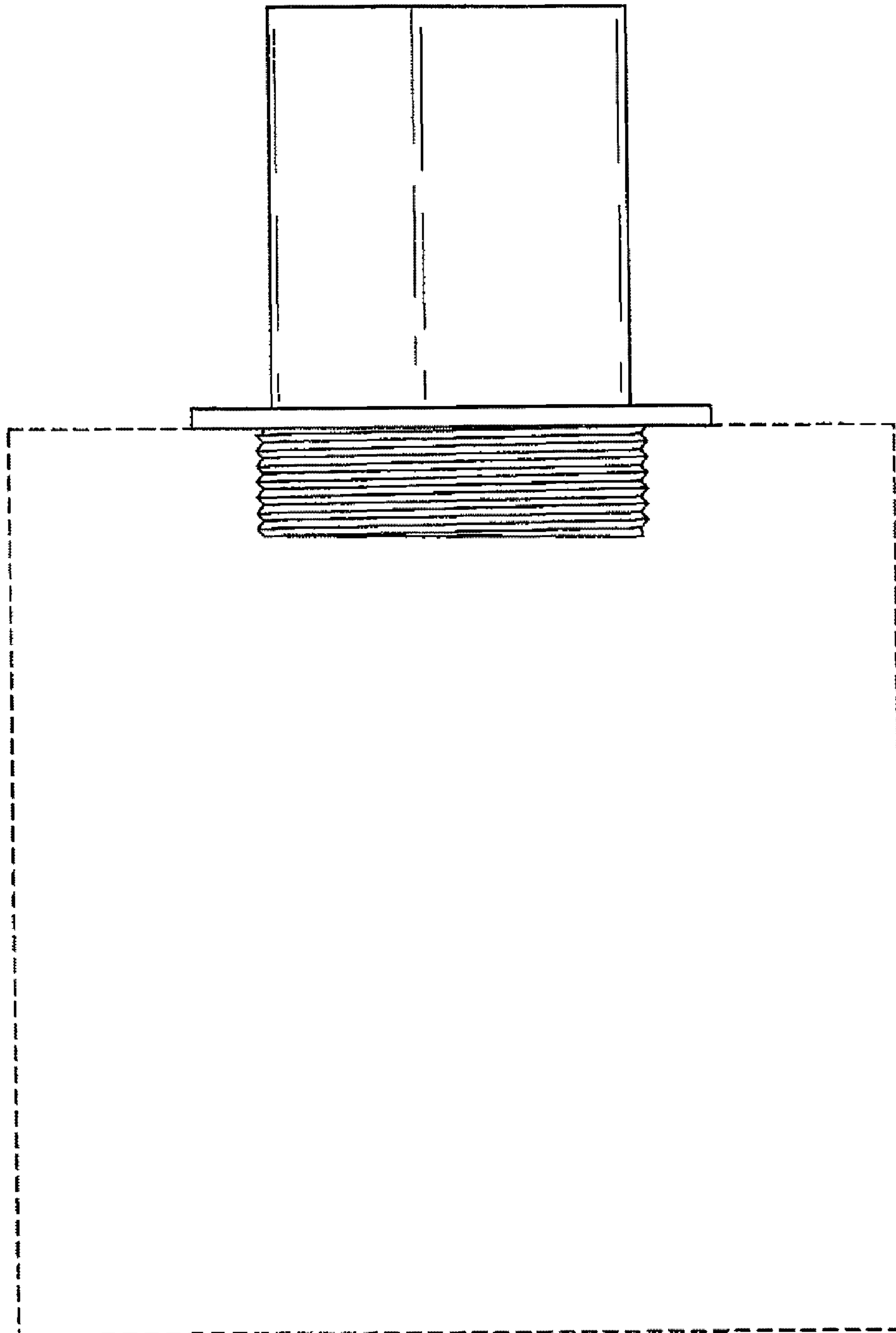


FIG. 6