



US00D632762S

(12) **United States Design Patent**
Mattson et al.

(10) **Patent No.:** **US D632,762 S**

(45) **Date of Patent:** **** Feb. 15, 2011**

(54) **AIRLESS PAINT SPRAYER**

D608,414 S * 1/2010 Legatt et al. D23/225
D616,065 S * 5/2010 Gundersen et al. D23/225

(75) Inventors: **Barry W. Mattson**, Elk River, MN (US);
Diane L Olson, Princeton, MN (US);
David J. Thompson, Oak Grove, MN
(US)

OTHER PUBLICATIONS

Wagner Spray Paint Crew Brochure, 2008.
Wagner Spray Paint Crew Plus Brochure, 2007.
Graco Inc. Magnum Brochure (see p. 7 of pdf for X5 design), 2007.
Graco Tradeworks Manual (Tradeworks Project Painter, Tradeworks
150 and Tradeworks 170 designs).

(73) Assignee: **Graco Minnesota Inc.**, Minneapolis,
MN (US)

* cited by examiner

(**) Term: **14 Years**

Primary Examiner—Robin V Webster

(21) Appl. No.: **29/337,393**

(74) *Attorney, Agent, or Firm*—Douglas B. Farrow

(22) Filed: **May 21, 2009**

(57) **CLAIM**

(51) **LOC (9) Cl.** **23-01**

The ornamental design for the airless paint sprayer, as shown
and described.

(52) **U.S. Cl.** **D23/225**

(58) **Field of Classification Search** D23/213,
D23/225; 401/48; 239/146, 147, 150, 154
See application file for complete search history.

DESCRIPTION

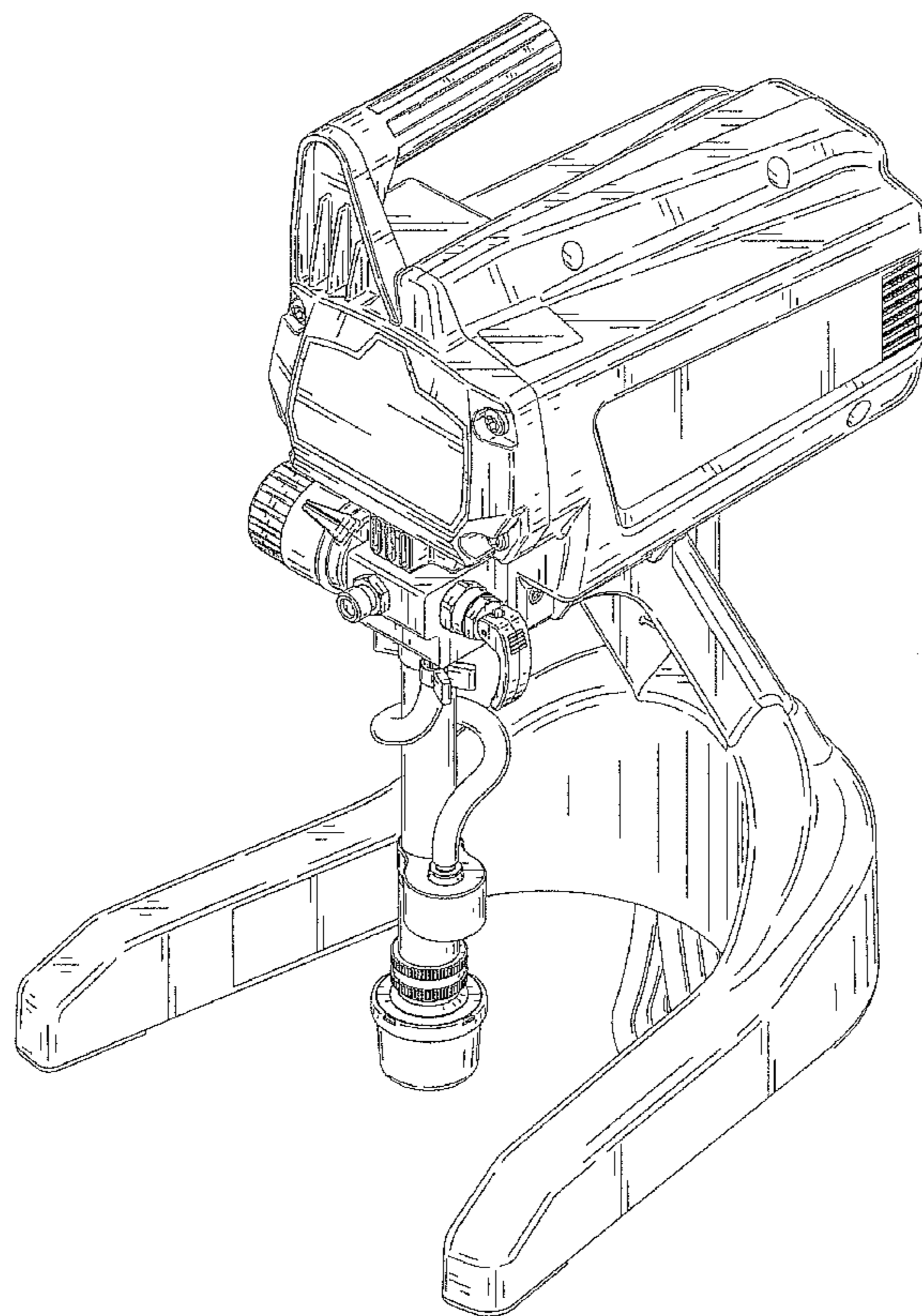
FIG. 1 is a front perspective view of the airless paint sprayer;
FIG. 2 is a top elevation view thereof;
FIG. 3 is a front elevation view thereof;
FIG. 4 is a right side elevation view thereof;
FIG. 5 is a left side elevation view thereof;
FIG. 6 is a rear elevation view thereof; and,
FIG. 7 is a bottom elevation view thereof.

(56) **References Cited**

U.S. PATENT DOCUMENTS

D310,117 S * 8/1990 Mariol D23/225
5,769,321 A * 6/1998 Cyphers 239/154
D560,271 S * 1/2008 Kesti et al. D23/225
D580,515 S * 11/2008 Wrobel et al. D23/225
D596,706 S * 7/2009 Gundersen et al. D23/225
D596,707 S * 7/2009 Mattson et al. D23/225
D597,173 S * 7/2009 Mulgrew et al. D23/225

1 Claim, 7 Drawing Sheets



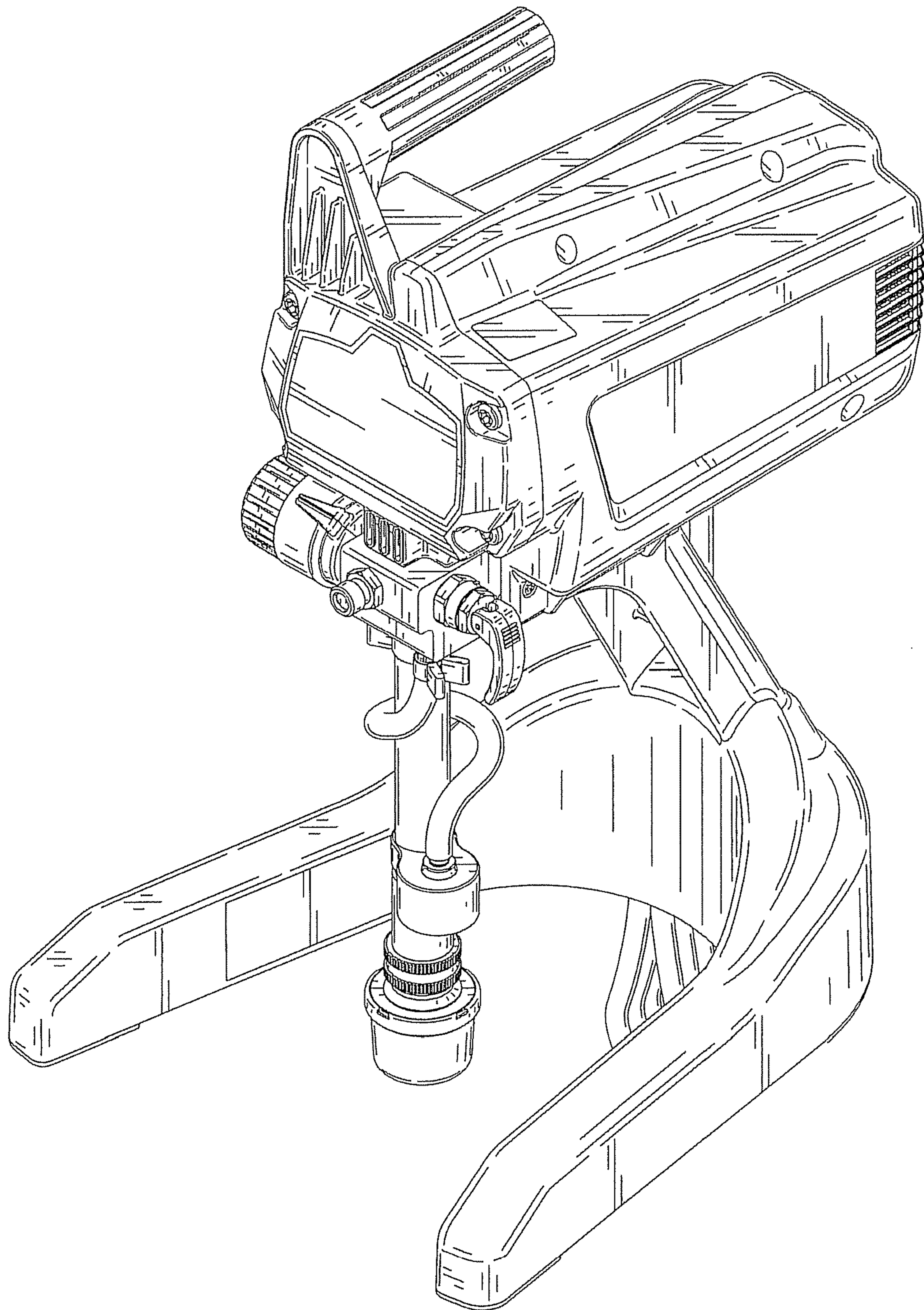


FIG. 1

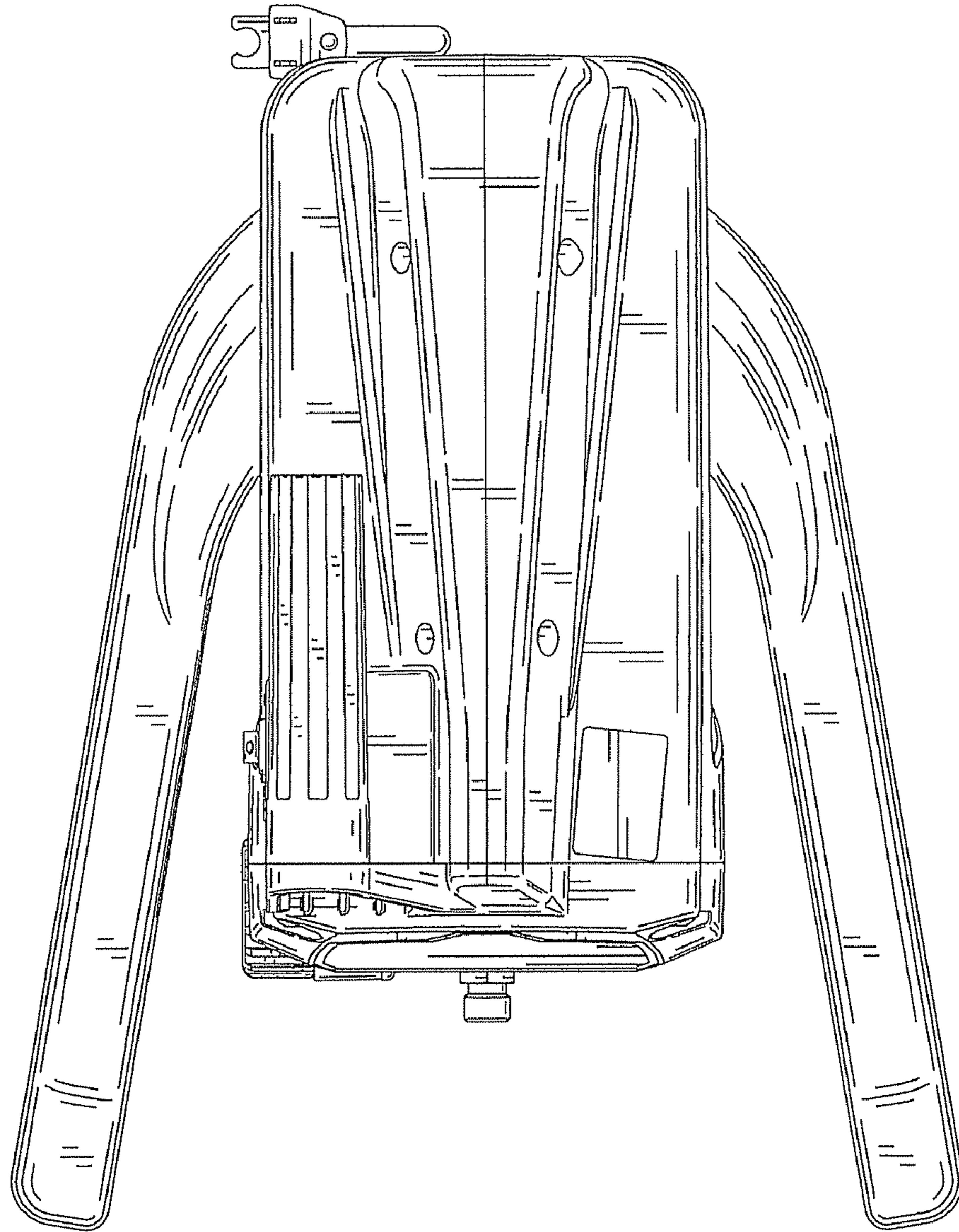


FIG. 2

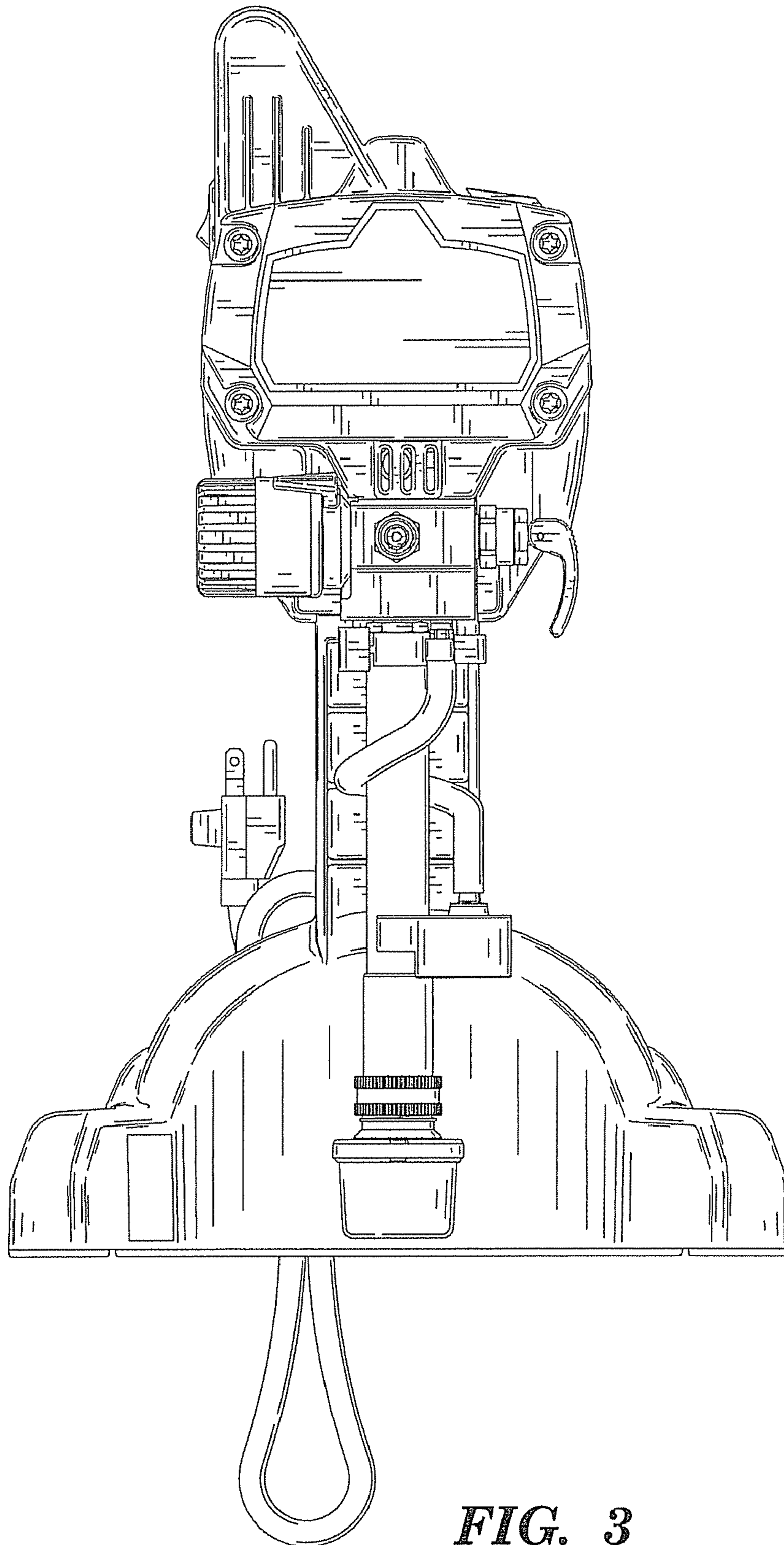


FIG. 3

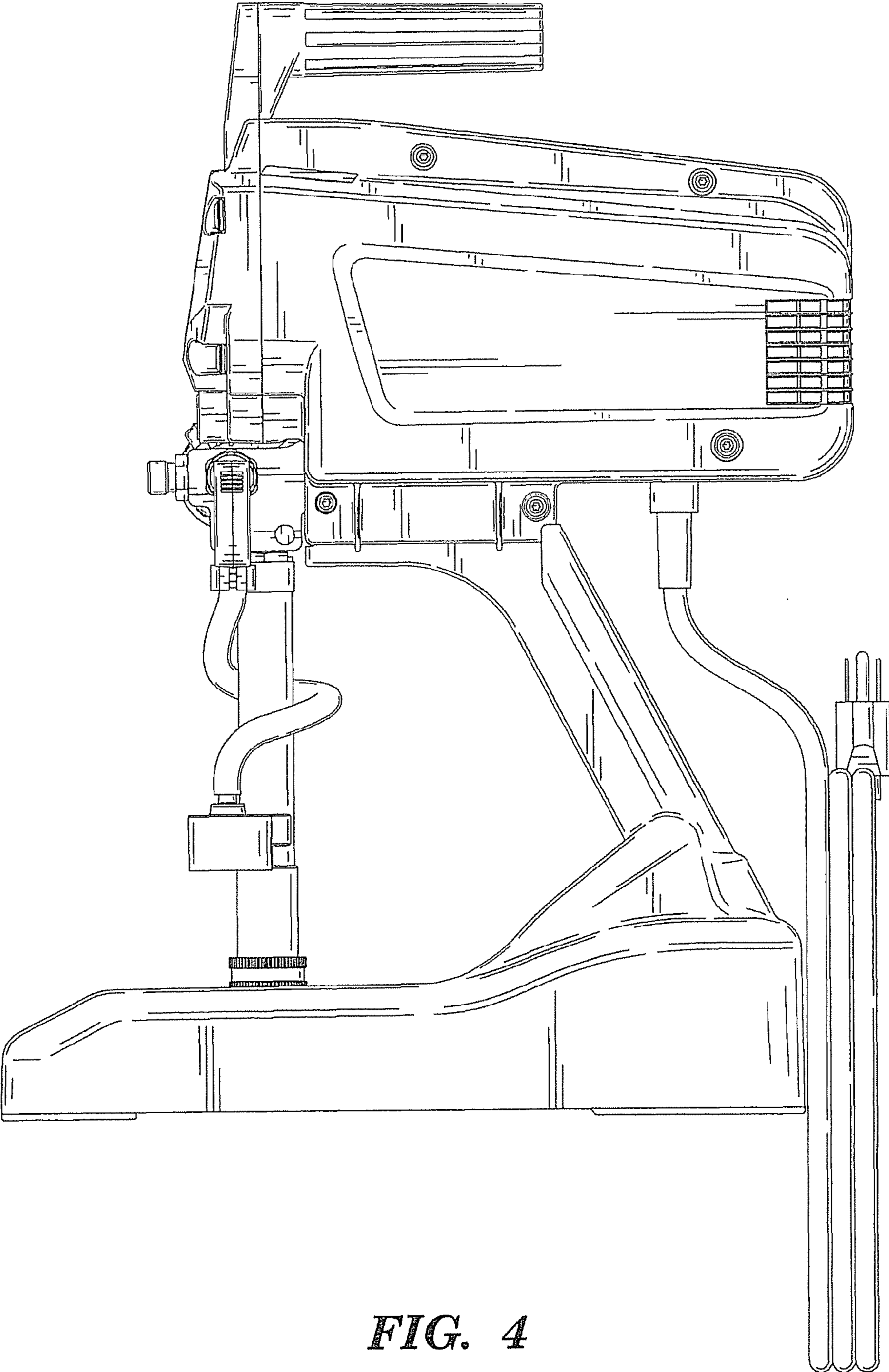


FIG. 4

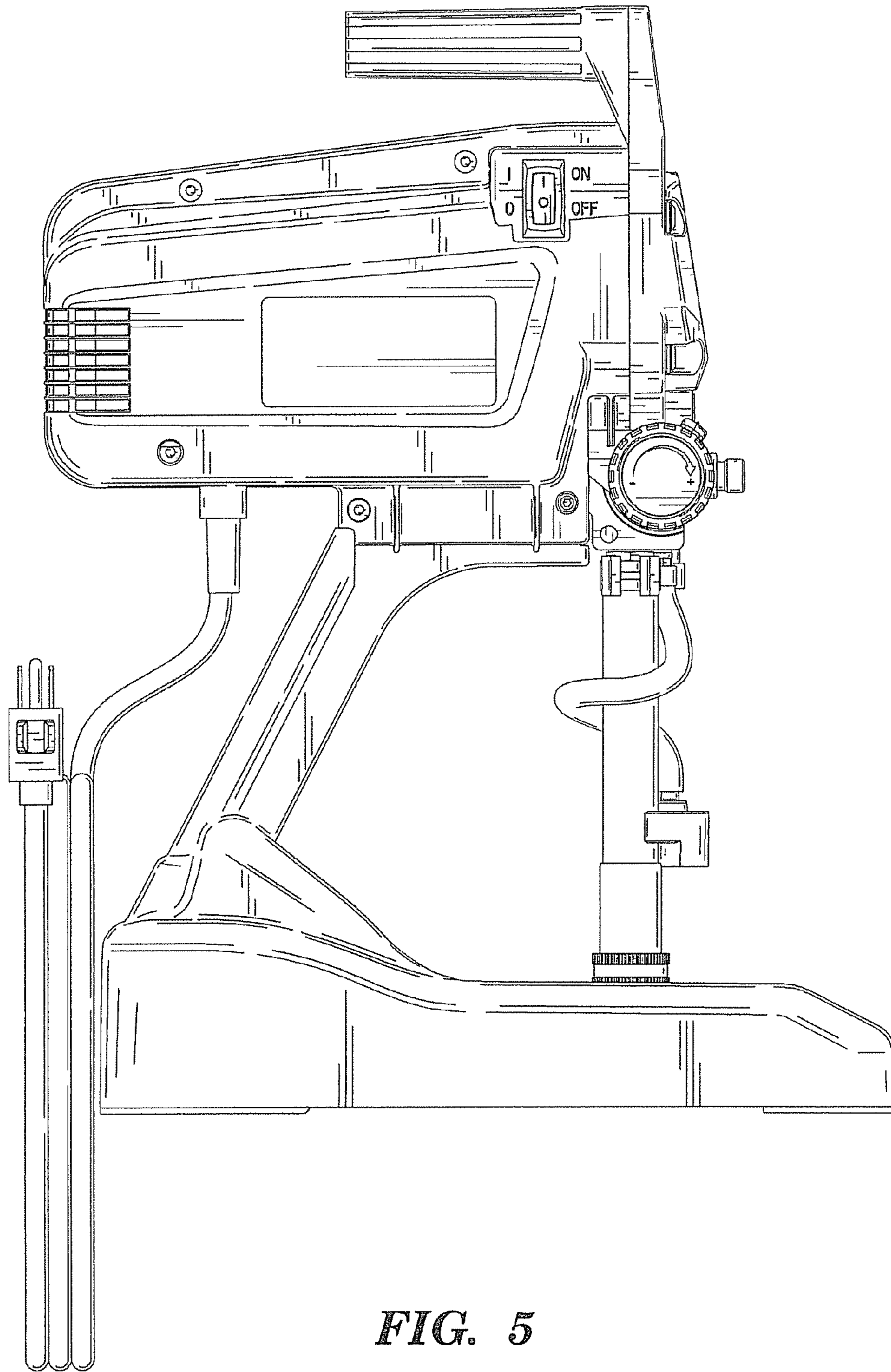


FIG. 5

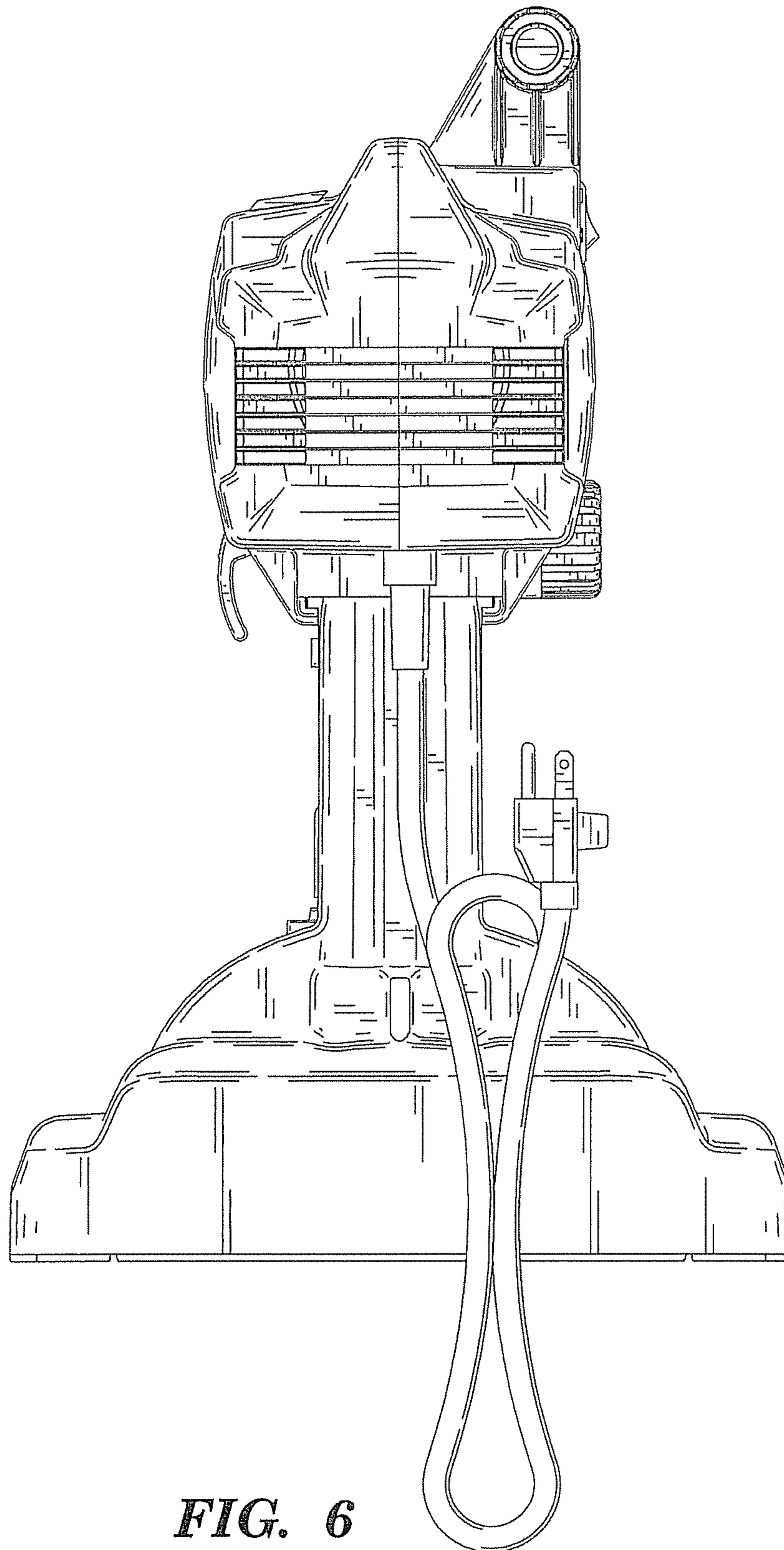


FIG. 6

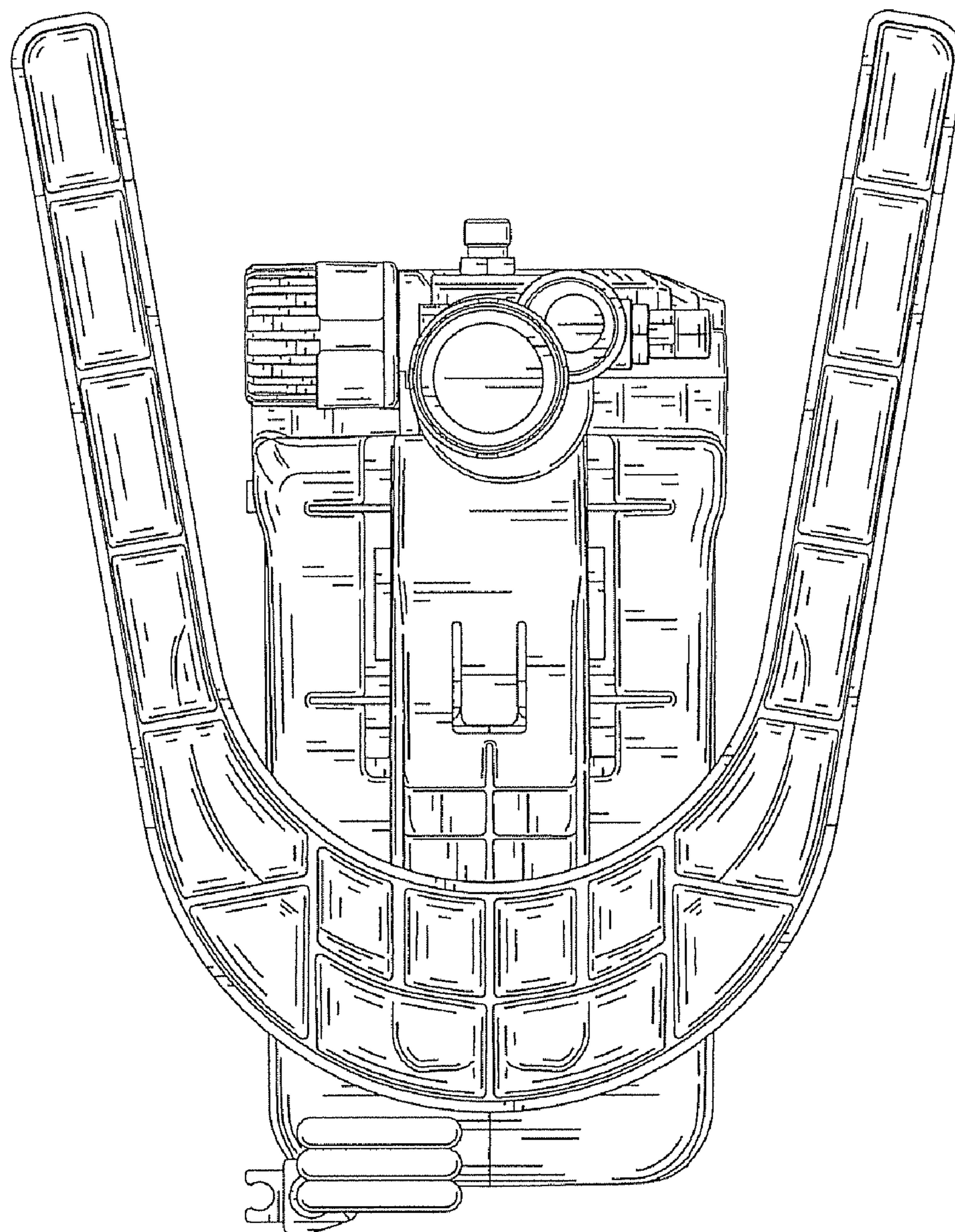


FIG. 7