



US00D632761S

(12) **United States Design Patent**
Cane et al.

(10) **Patent No.:** **US D632,761 S**
(45) **Date of Patent:** **** Feb. 15, 2011**

(54) **PAINT APPLICATOR DEVICE**

D607,968 S * 1/2010 Wojciechowski et al. .. D23/213

(75) Inventors: **Michael Roger Cane**, Riverside (GB);
Ruth Elizabeth Walcot, Bury St.
Edmunds (GB); **Nicholas Field**, Coton
(GB); **Ahmad Bittar**, Cambridge (GB);
Christopher John Ord, Cambridge
(GB)

* cited by examiner

Primary Examiner—Robin V Webster
(74) *Attorney, Agent, or Firm*—Timothy D. Meade

(73) Assignee: **Imperial Chemical Industries Limited**,
London (GB)

(57) **CLAIM**

The ornamental design of a paint applicator device, as shown
and described.

(**) Term: **14 Years**

(21) Appl. No.: **29/329,407**

DESCRIPTION

(22) Filed: **Dec. 15, 2008**

(51) **LOC (9) Cl.** **23-01**

(52) **U.S. Cl.** **D23/225; D23/213**

(58) **Field of Classification Search** D23/213,
D23/225; D8/1, 2; 239/333; 118/203, 259
See application file for complete search history.

FIG. 1 is a front perspective view of a paint applicator device;
FIG. 2 is a right side elevational view, with mirror of FIG. 1;
FIG. 3 is a front elevational view of FIG. 1;
FIG. 4 is a rear elevational view of FIG. 1;
FIG. 5 is a top plan view of FIG. 1; and,
FIG. 6 is a bottom plan view of FIG. 1.

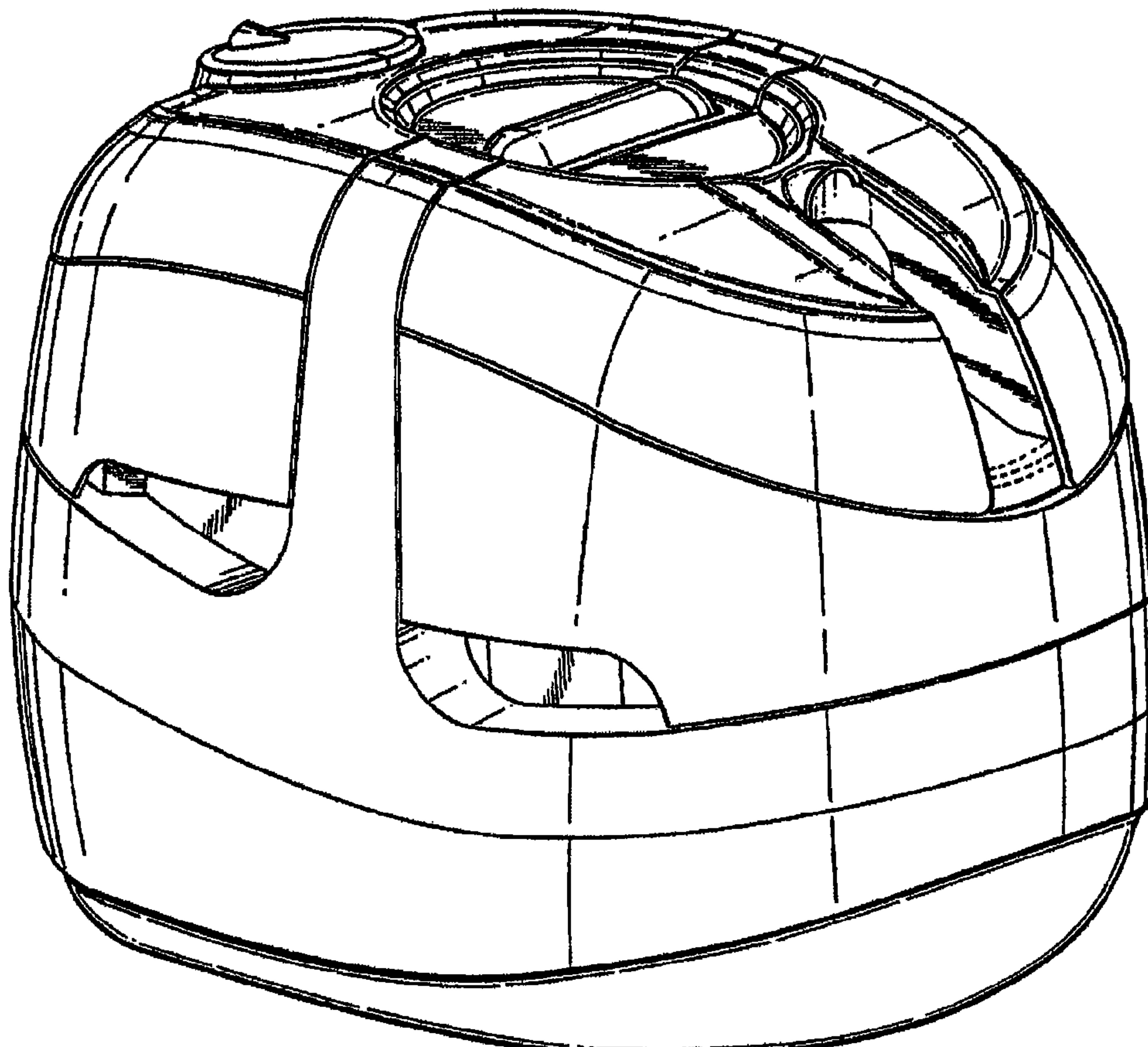
The broken line showing is included for the purpose of illus-
trating and forms no part of the claimed design.

(56) **References Cited**

U.S. PATENT DOCUMENTS

D490,500 S * 5/2004 Ye et al. D23/225

1 Claim, 6 Drawing Sheets



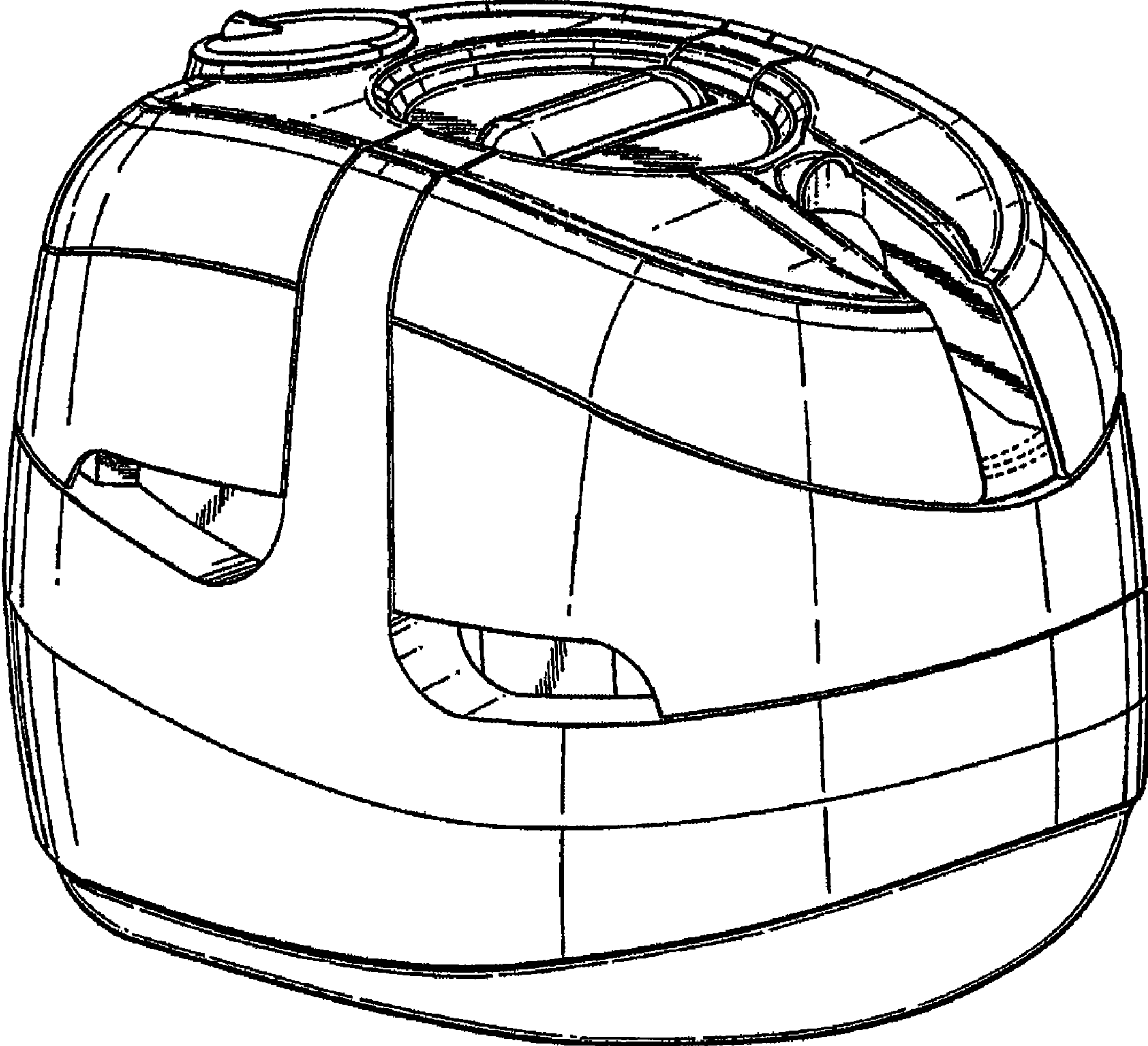


Fig. 1

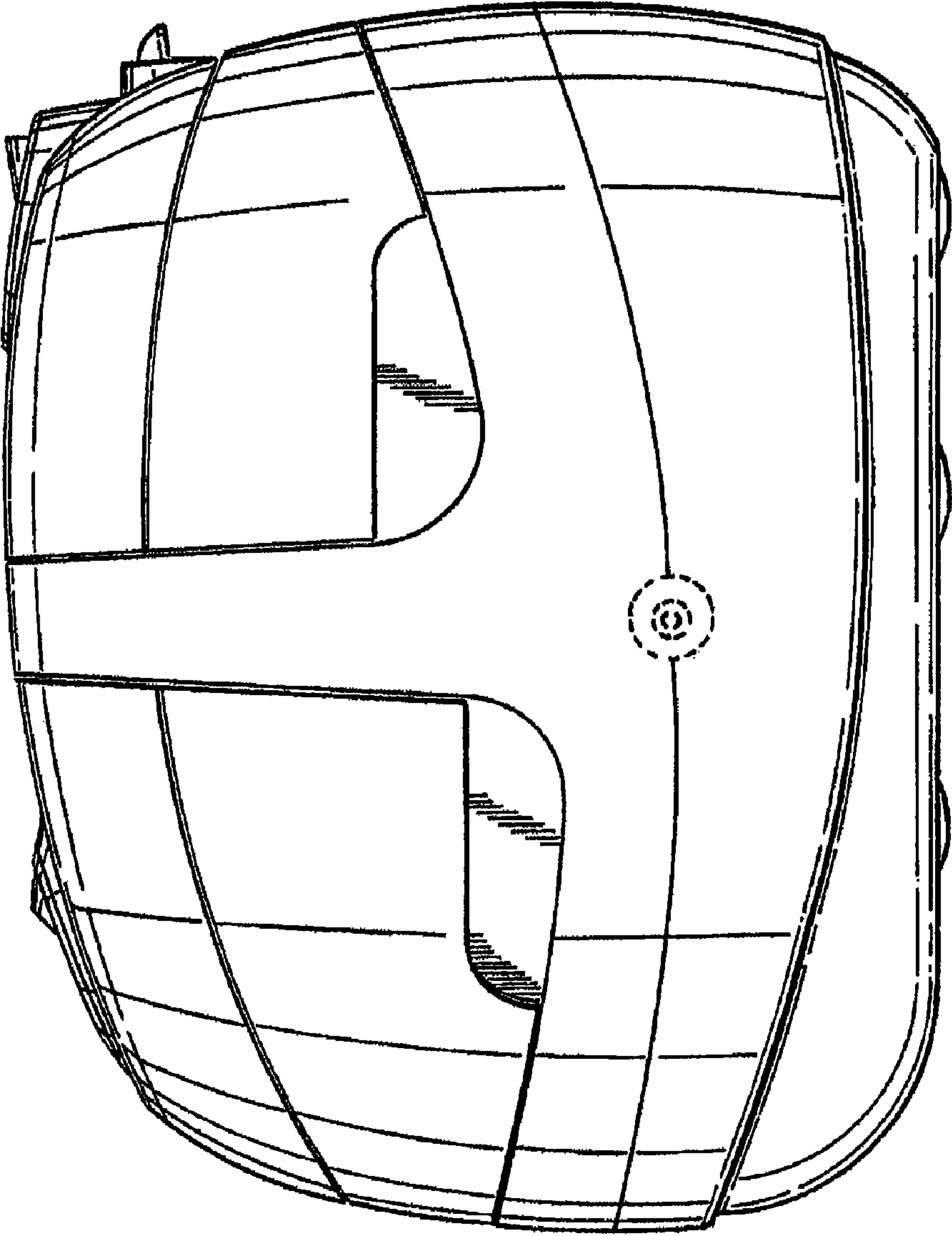


Fig. 2

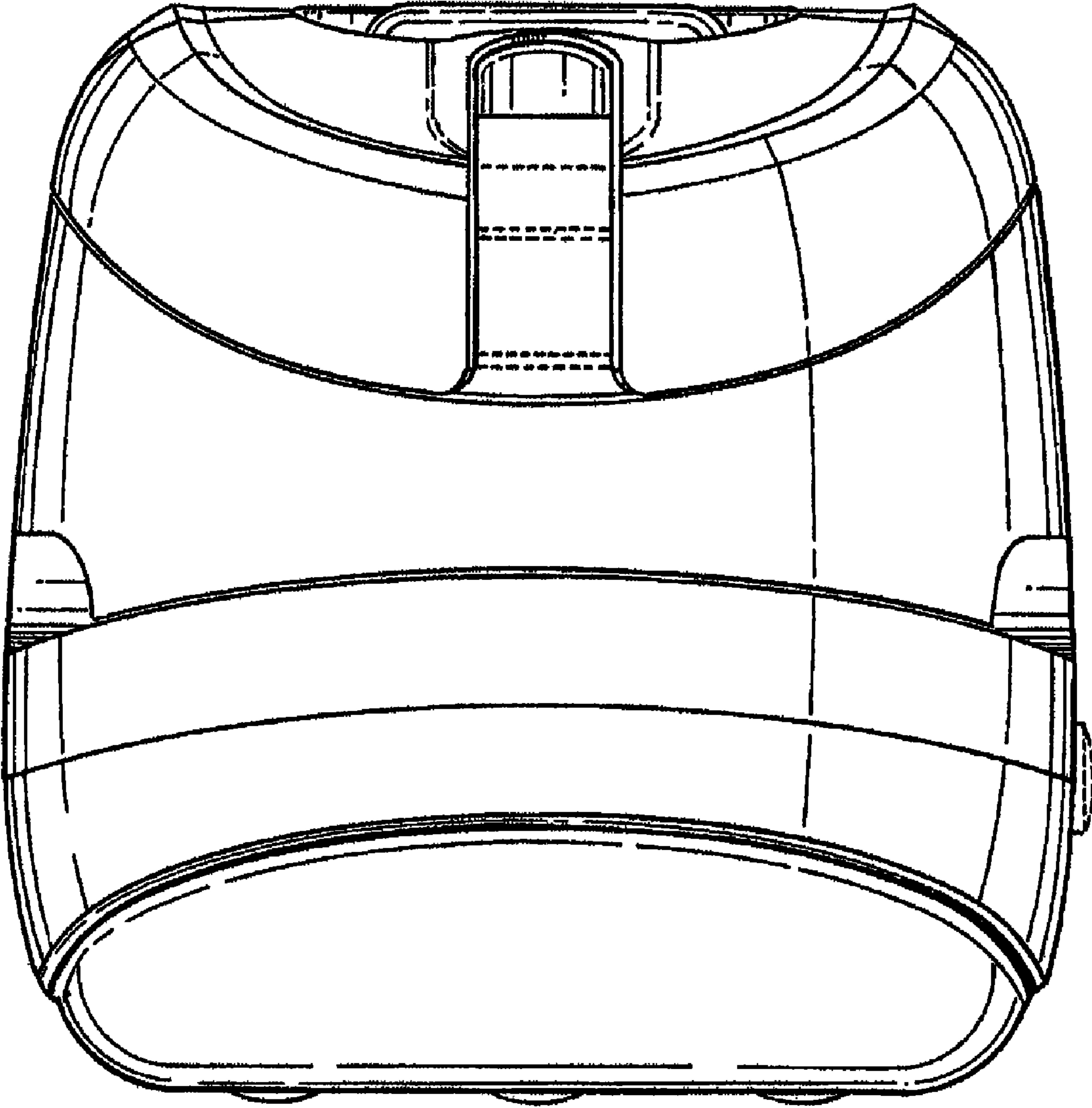


Fig. 3

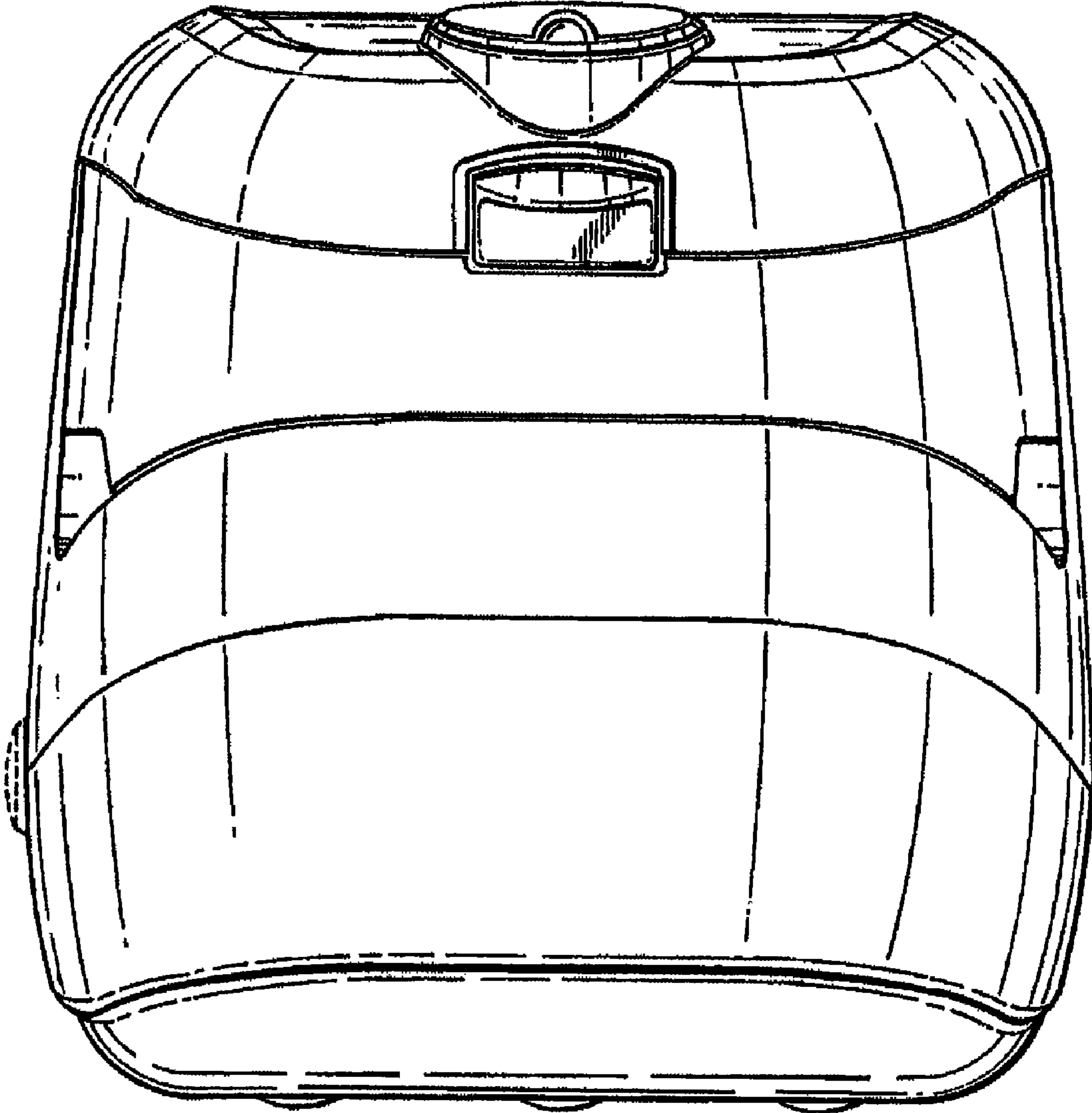


Fig. 4

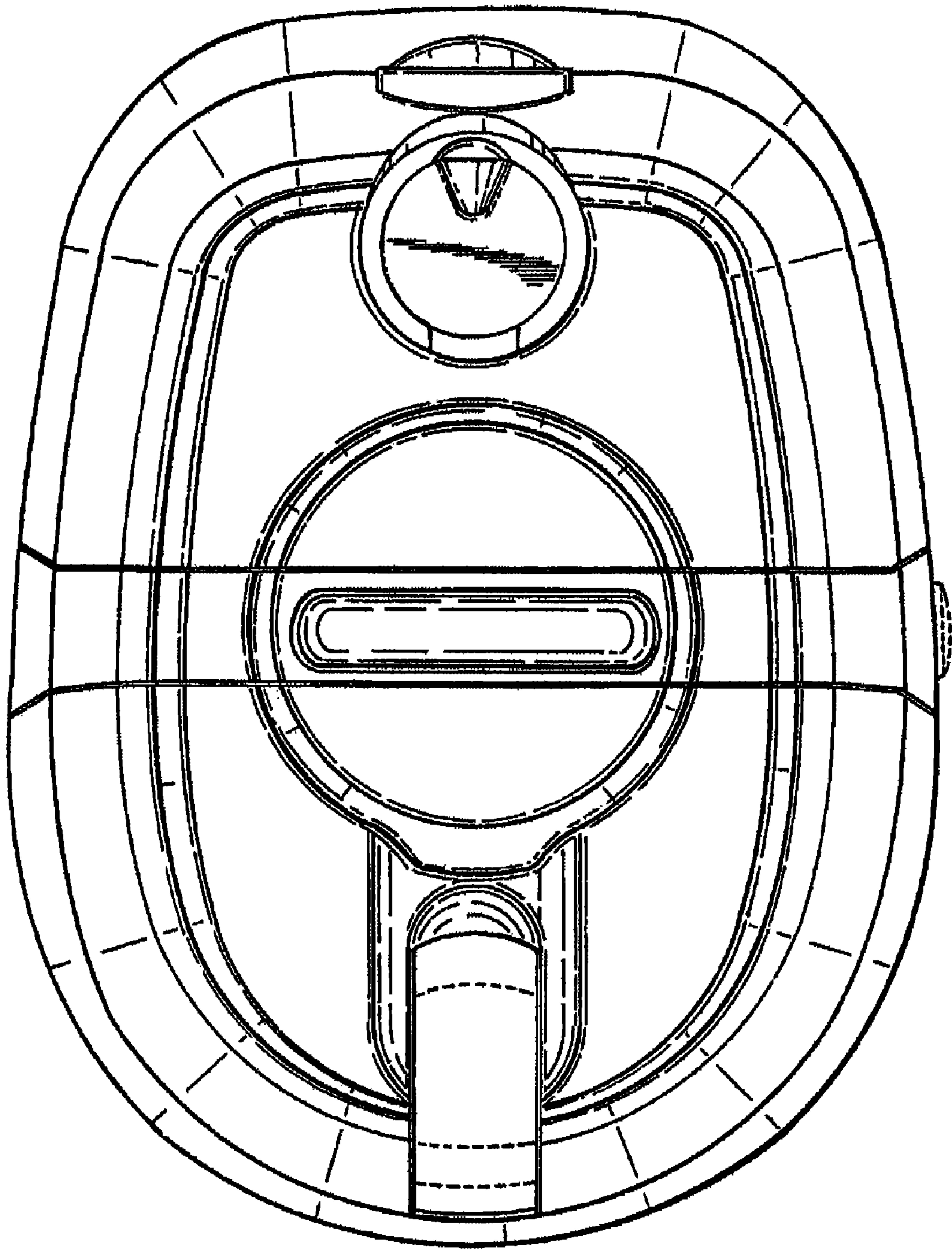


Fig. 5

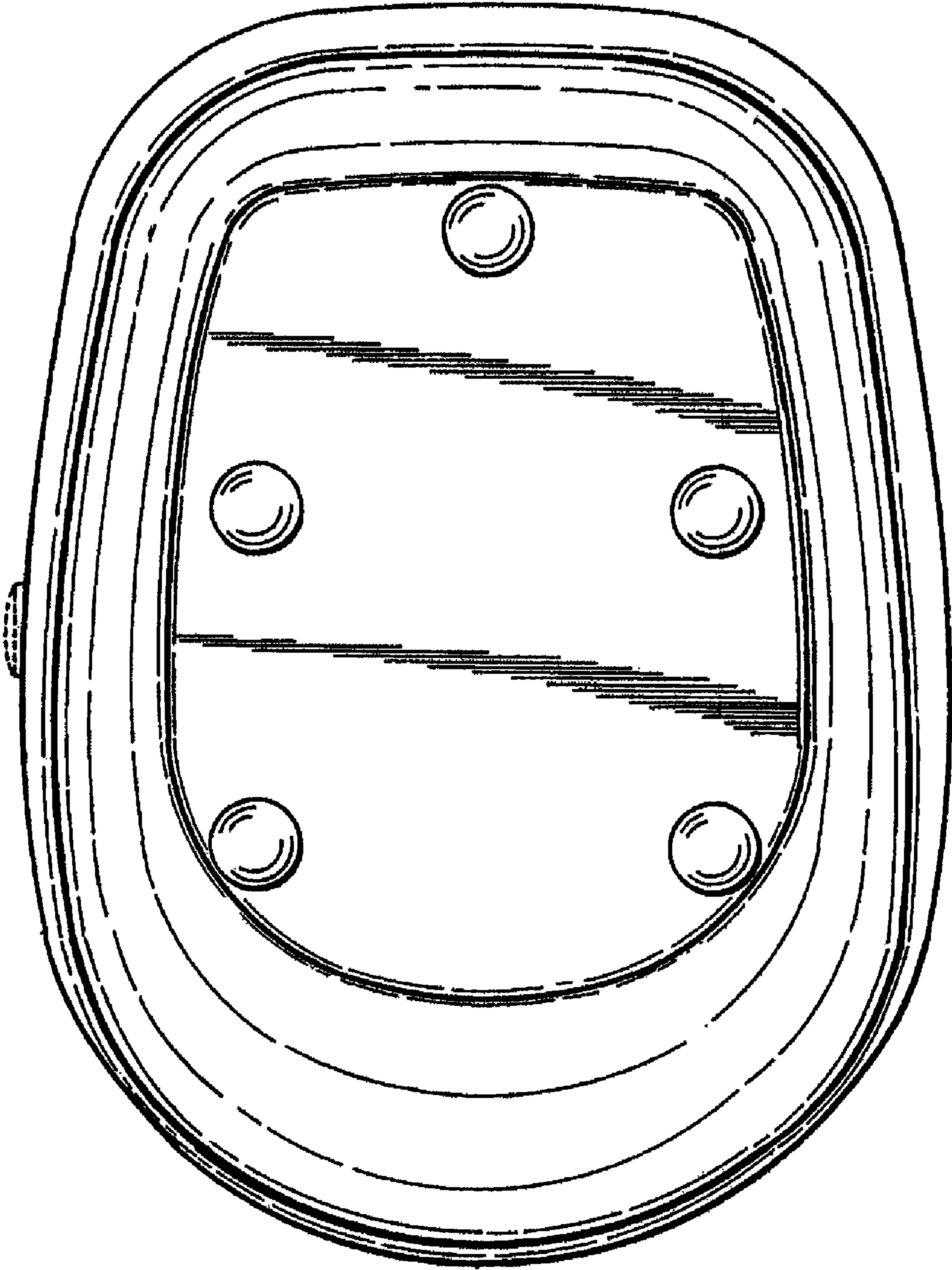


Fig. 6

UNITED STATES PATENT AND TRADEMARK OFFICE
CERTIFICATE OF CORRECTION

PATENT NO. : D632,761 S
APPLICATION NO. : 29/329407
DATED : February 15, 2011
INVENTOR(S) : Michael Roger Cane et al.

Page 1 of 1

It is certified that error appears in the above-identified patent and that said Letters Patent is hereby corrected as shown below:

Title Page, insert

-- (30) Foreign Application Priority Data

June 13, 2008 (EM)..... 000950704-0001
June 13, 2008 (EM)..... 000950704-0002 --

Signed and Sealed this
Third Day of May, 2011



David J. Kappos
Director of the United States Patent and Trademark Office