



US00D632760S

(12) **United States Design Patent**
Chen

(10) **Patent No.:** **US D632,760 S**

(45) **Date of Patent:** **** Feb. 15, 2011**

(54) **SPRINKLER**

(75) Inventor: **Chin-Yuan Chen**, Lu-Kang Town (TW)

(73) Assignee: **Shin Tai Spurt Water of the Garden Tools Co., Ltd.**, Lu-Kang Town (TW)

(**) Term: **14 Years**

(21) Appl. No.: **29/367,154**

(22) Filed: **Aug. 4, 2010**

(51) **LOC (9) Cl.** **23-01**

(52) **U.S. Cl.** **D23/213; D23/226**

(58) **Field of Classification Search** D23/213,
D23/223, 226; 239/556, 525-526, 459
See application file for complete search history.

(56) **References Cited**

U.S. PATENT DOCUMENTS

- 2,249,274 A * 7/1941 Faine 239/556
- D432,629 S * 10/2000 Jacobs D23/226
- D448,829 S * 10/2001 Hunt D23/213
- D501,534 S * 2/2005 Chen D23/213

D602,559 S * 10/2009 Zore D23/226

* cited by examiner

Primary Examiner—Robin V Webster

(57) **CLAIM**

The ornamental design for a sprinkler, as shown and described.

DESCRIPTION

FIG. 1 is a perspective view of a sprinkler showing my new design;

FIG. 2 is a front view of the embodiment shown in FIG. 1;

FIG. 3 is a rear view of the embodiment shown in FIG. 1;

FIG. 4 is a left side view of the embodiment shown in FIG. 1;

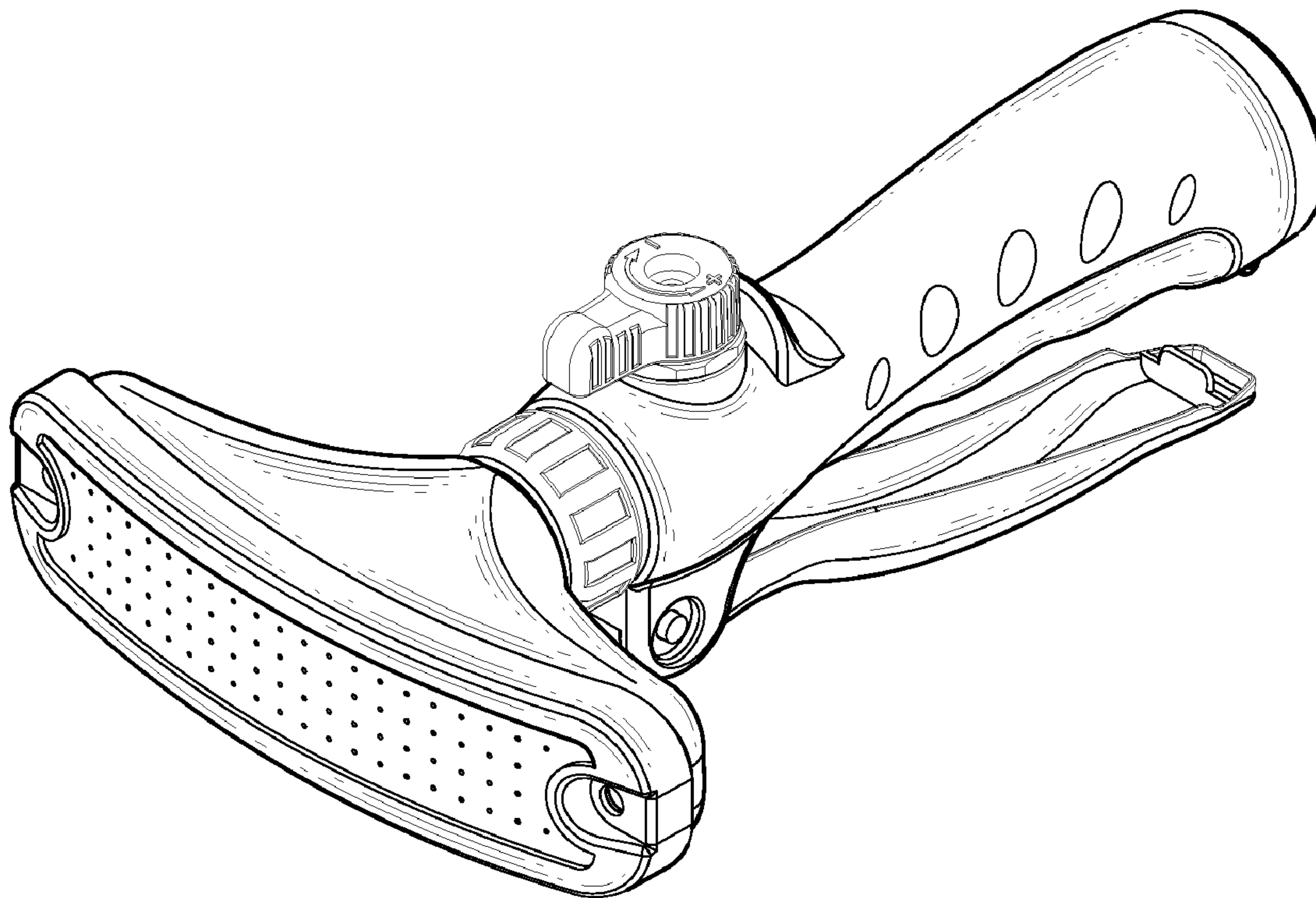
FIG. 5 is a right side view of the embodiment shown in FIG. 1;

FIG. 6 is a top view of the embodiment shown in FIG. 1; and,

FIG. 7 is a bottom view of the embodiment shown in FIG. 1.

The broken lines in FIGS. 1-7 are for illustrative purposes only and form no part of the claimed design.

1 Claim, 5 Drawing Sheets



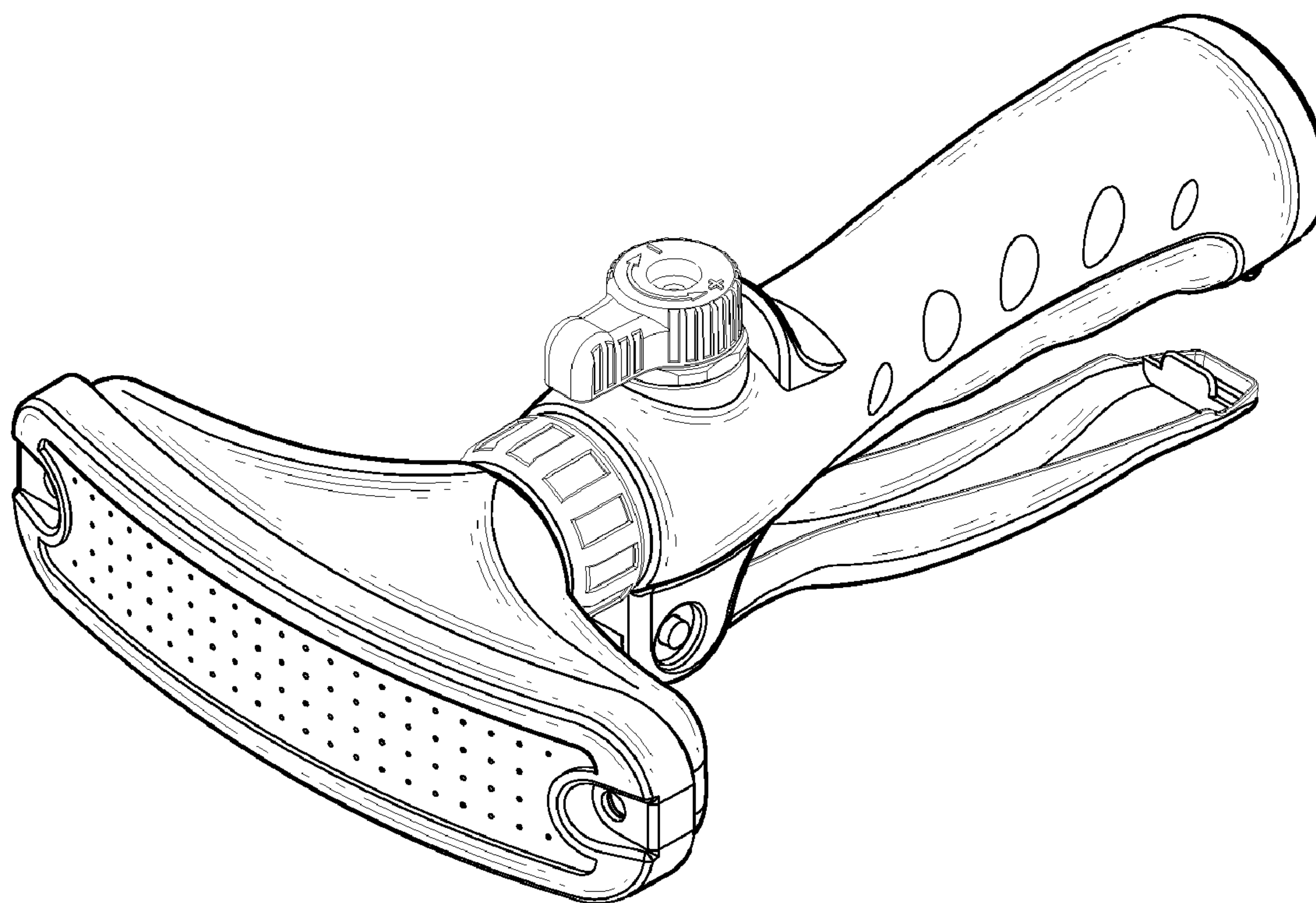


FIG. 1

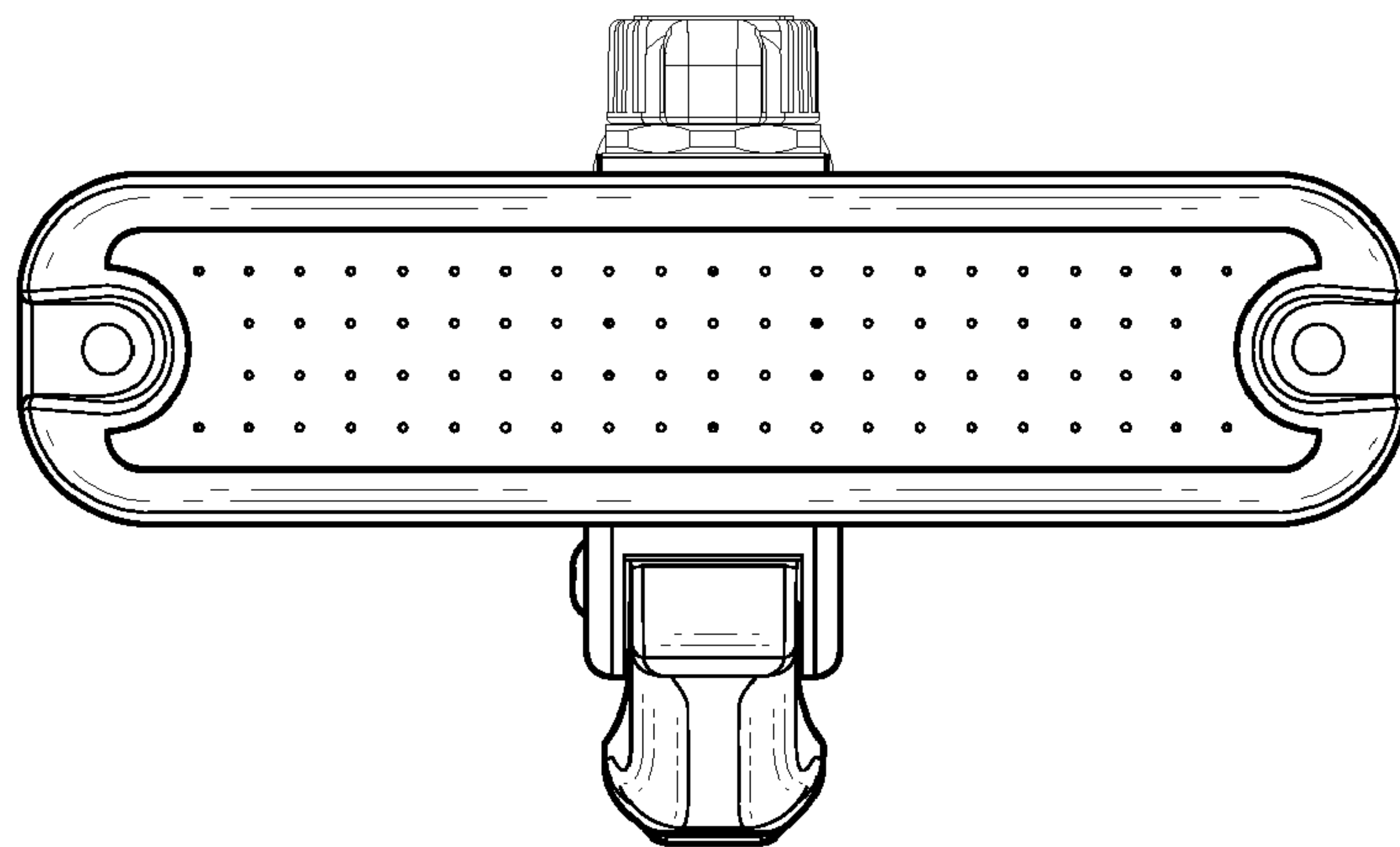


FIG. 2

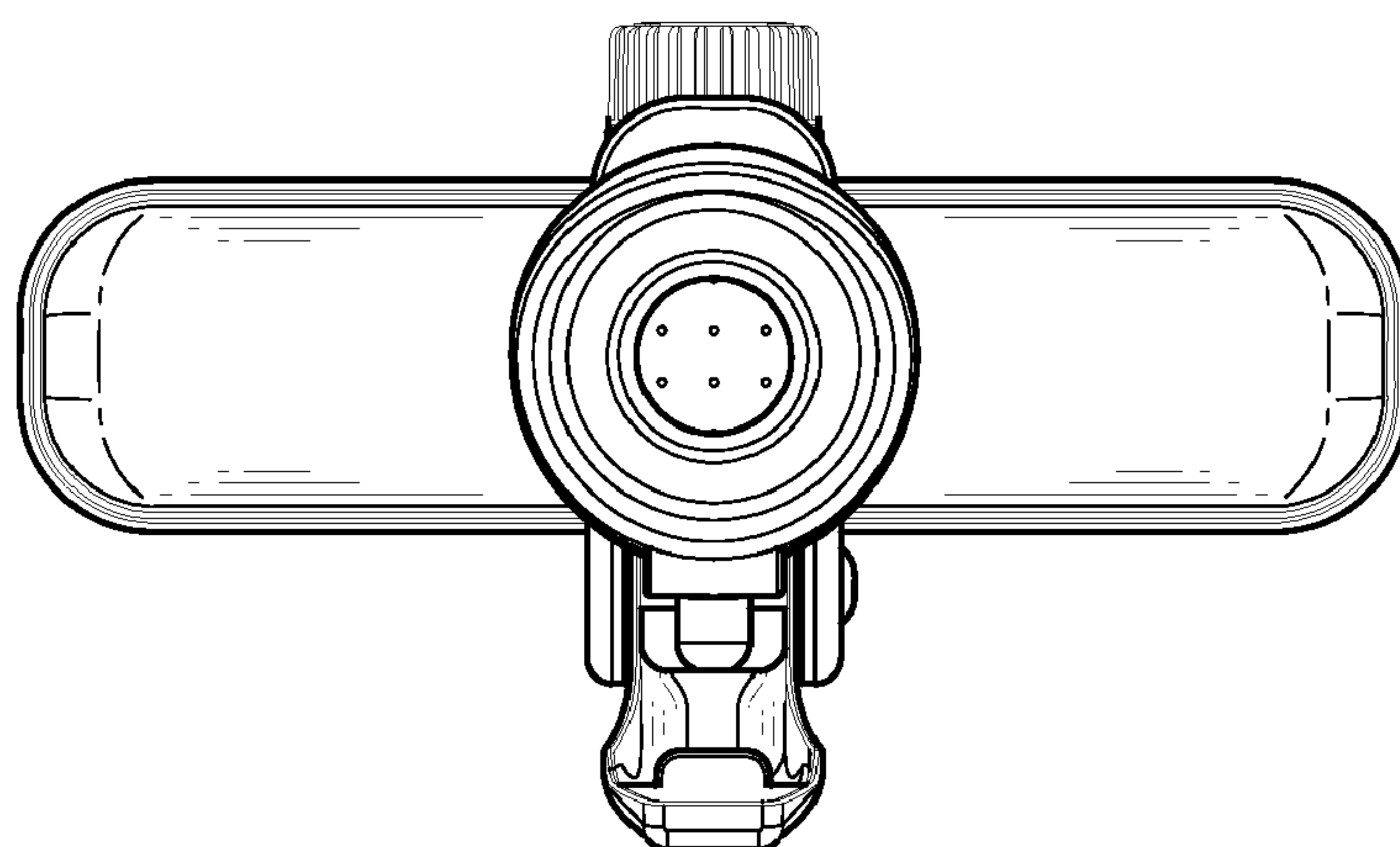


FIG. 3

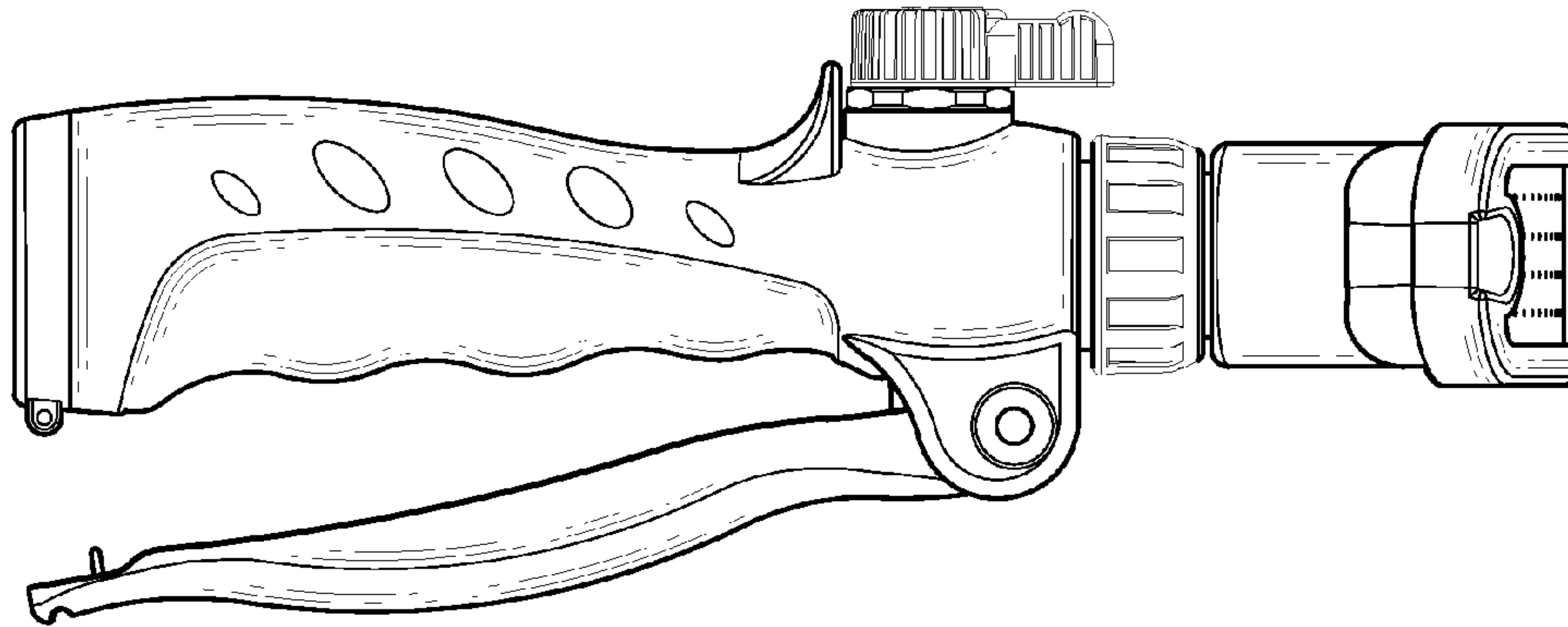


FIG. 4

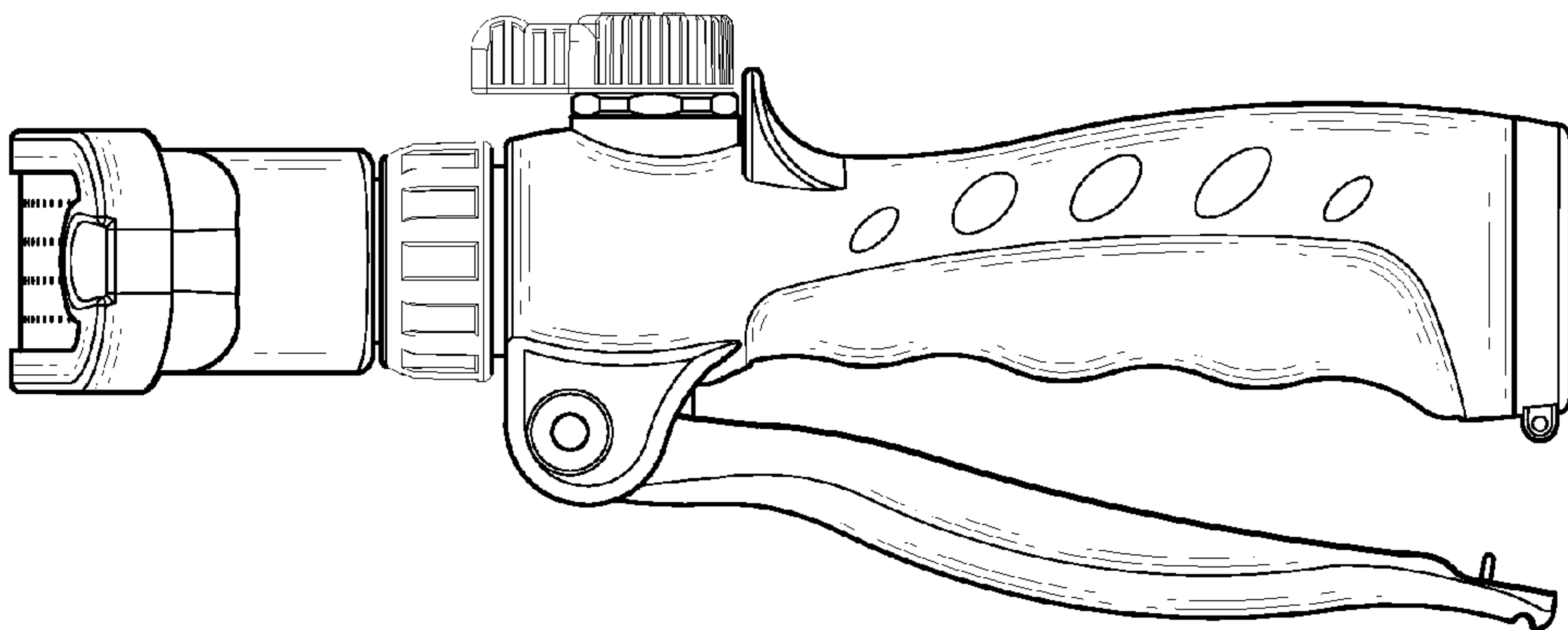


FIG. 5

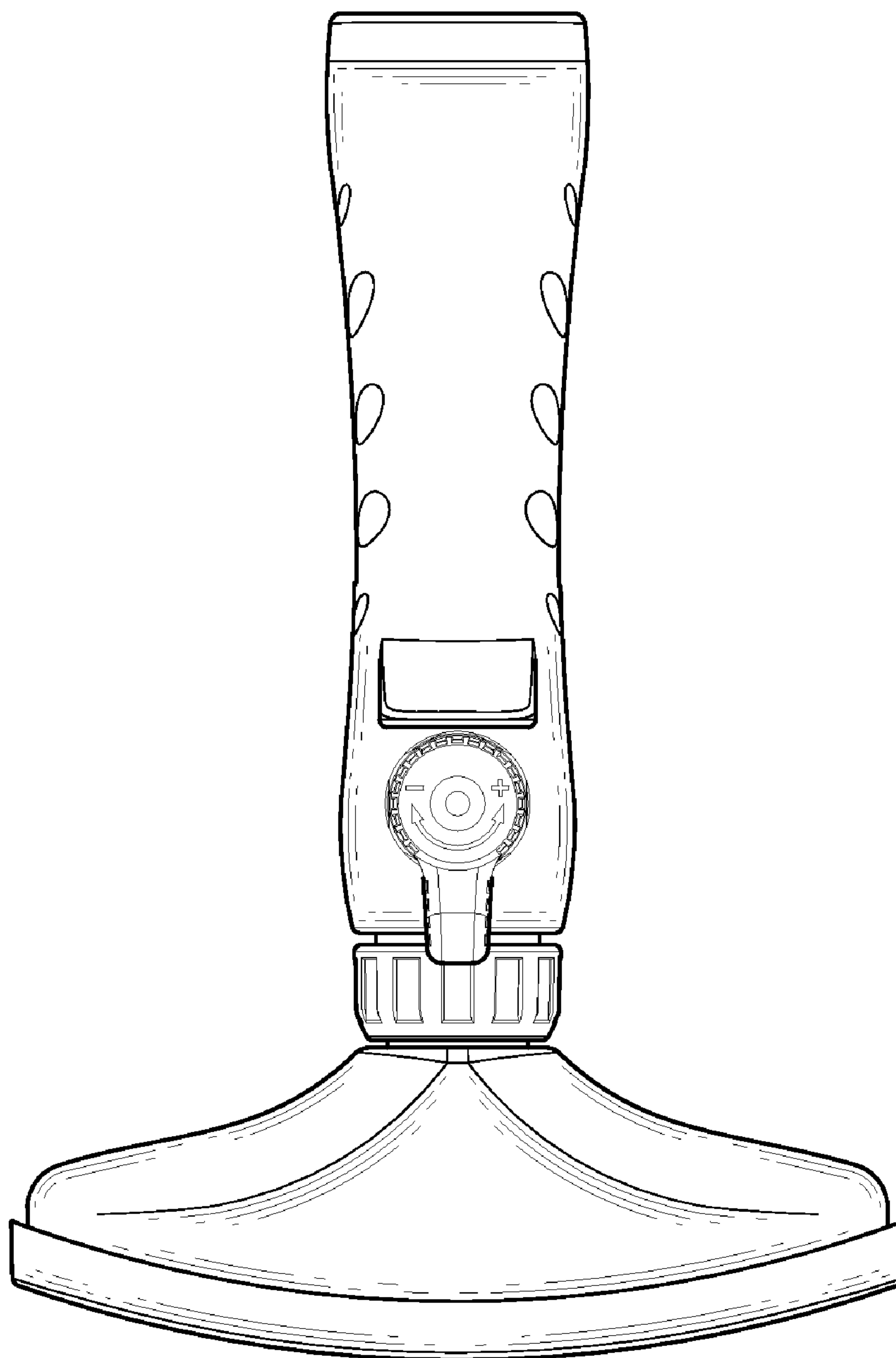


FIG. 6

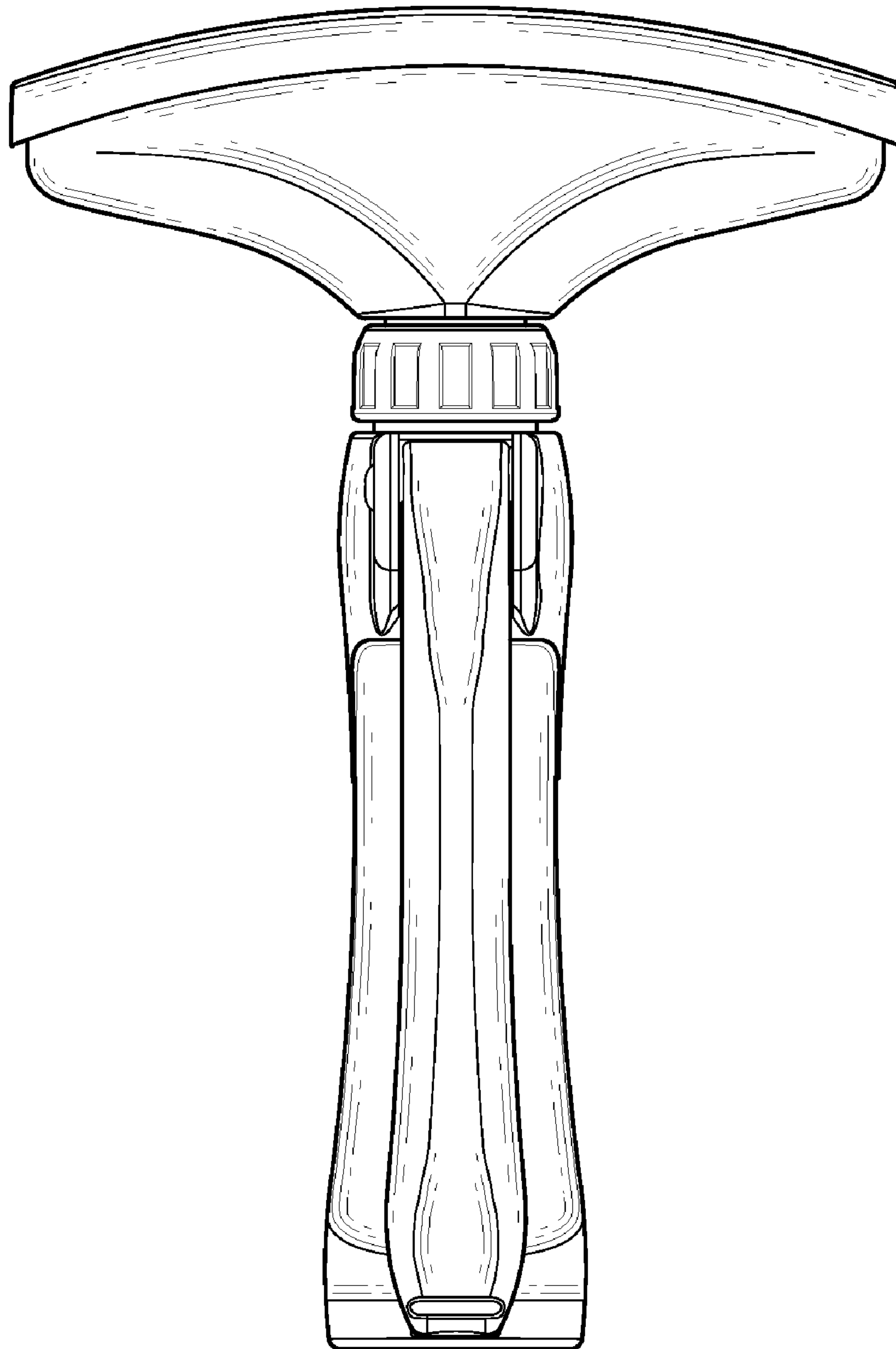


FIG. 7