



US00D632757S

(12) **United States Design Patent**
Lyles

(10) **Patent No.:** **US D632,757 S**

(45) **Date of Patent:** **** Feb. 15, 2011**

(54) **FISHERMAN'S PORTABLE ENCLOSED WORK BOX**

Primary Examiner—Catherine R Oliver
(74) *Attorney, Agent, or Firm*—Theodore Heske, III

(76) **Inventor:** **Johnny Lyles**, 4975 Burberry Way,
Fairburn, GA (US) 30213

(57) **CLAIM**

The ornamental design for a fisherman's portable enclosed work box, as shown and described.

(**) **Term:** **14 Years**

(21) **Appl. No.:** **29/364,717**

DESCRIPTION

(22) **Filed:** **Jun. 28, 2010**

(51) **LOC (9) Cl.** **22-05**

(52) **U.S. Cl.** **D22/134; D3/260**

(58) **Field of Classification Search** D22/134–136,
D22/149, 199; 43/55, 54.1, 57.1, 26; D3/260,
D3/270–273, 904–905, 232; 206/315.11;
224/920

See application file for complete search history.

FIG. 1 is a top right perspective view of the fisherman's portable enclosed work box showing my new design;

FIG. 2 is a front elevation view thereof;

FIG. 3 is a right side elevation view, with the strap removed for convenience of illustration;

FIG. 4 is a bottom plan view;

FIG. 5 is a rear elevation view;

FIG. 6 is a left side elevation view;

FIG. 7 is a top plan view, with the strap removed for convenience of illustration;

FIG. 8 is a top right perspective view of the second embodiment of the fisherman's portable enclosed work box, the only difference between the embodiments being the flap extension shown at the bottom of the box; and,

FIG. 9 is a right side elevation view, with the strap removed for convenience of illustration.

The fisherman's portable enclosed work box is a portable enclosure used by fishermen when handling fish.

The broken line showing of environment in FIG. 7 is included for the purpose of illustrating only and forms no part of the claimed design.

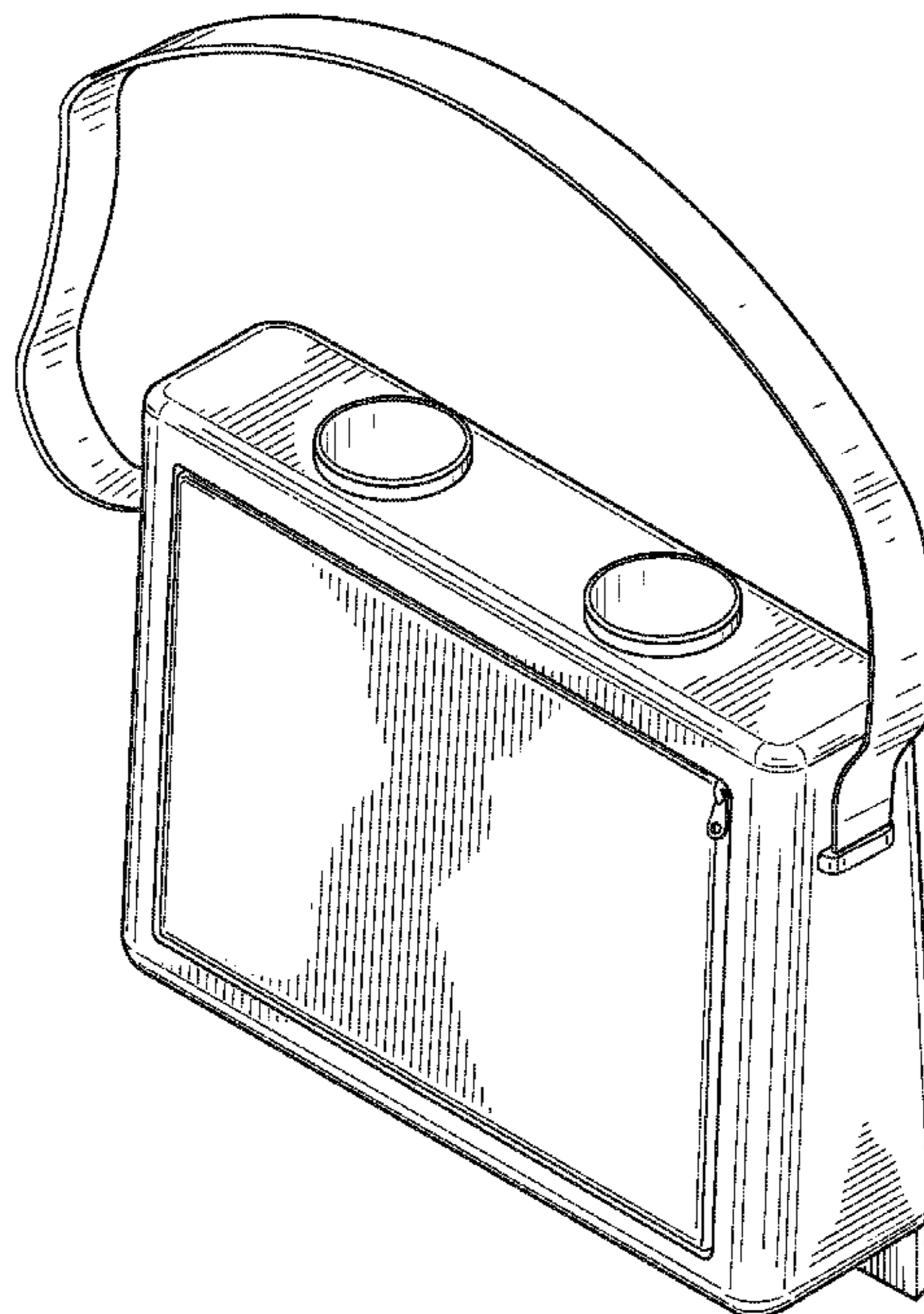
(56) **References Cited**

U.S. PATENT DOCUMENTS

| | | | | | | |
|--------------|----|---|---------|-----------------|-------|------------|
| D156,820 | S | * | 1/1950 | Domina | | D3/260 |
| 2,505,208 | A | * | 4/1950 | Ruml, Jr. | | D3/232 |
| D161,866 | S | * | 2/1951 | Peterson | | D3/260 |
| 2,691,400 | A | * | 10/1954 | Giordano | | 206/315.11 |
| D289,108 | S | * | 4/1987 | Guibault | | D3/260 |
| D410,334 | S | * | 6/1999 | Sanders et al. | | D3/260 |
| 6,241,328 | B1 | | 6/2001 | Ziff | | |
| 6,685,622 | B2 | | 2/2004 | O'Connor et al. | | |
| 6,793,617 | B2 | | 9/2004 | Ford et al. | | |
| 6,851,769 | B2 | | 2/2005 | Hauville | | |
| 7,037,254 | B2 | | 5/2006 | O'Connor et al. | | |
| 7,469,977 | B2 | | 12/2008 | Hauville | | |
| 2002/0105251 | A1 | | 8/2002 | Kensley | | |

* cited by examiner

1 Claim, 4 Drawing Sheets



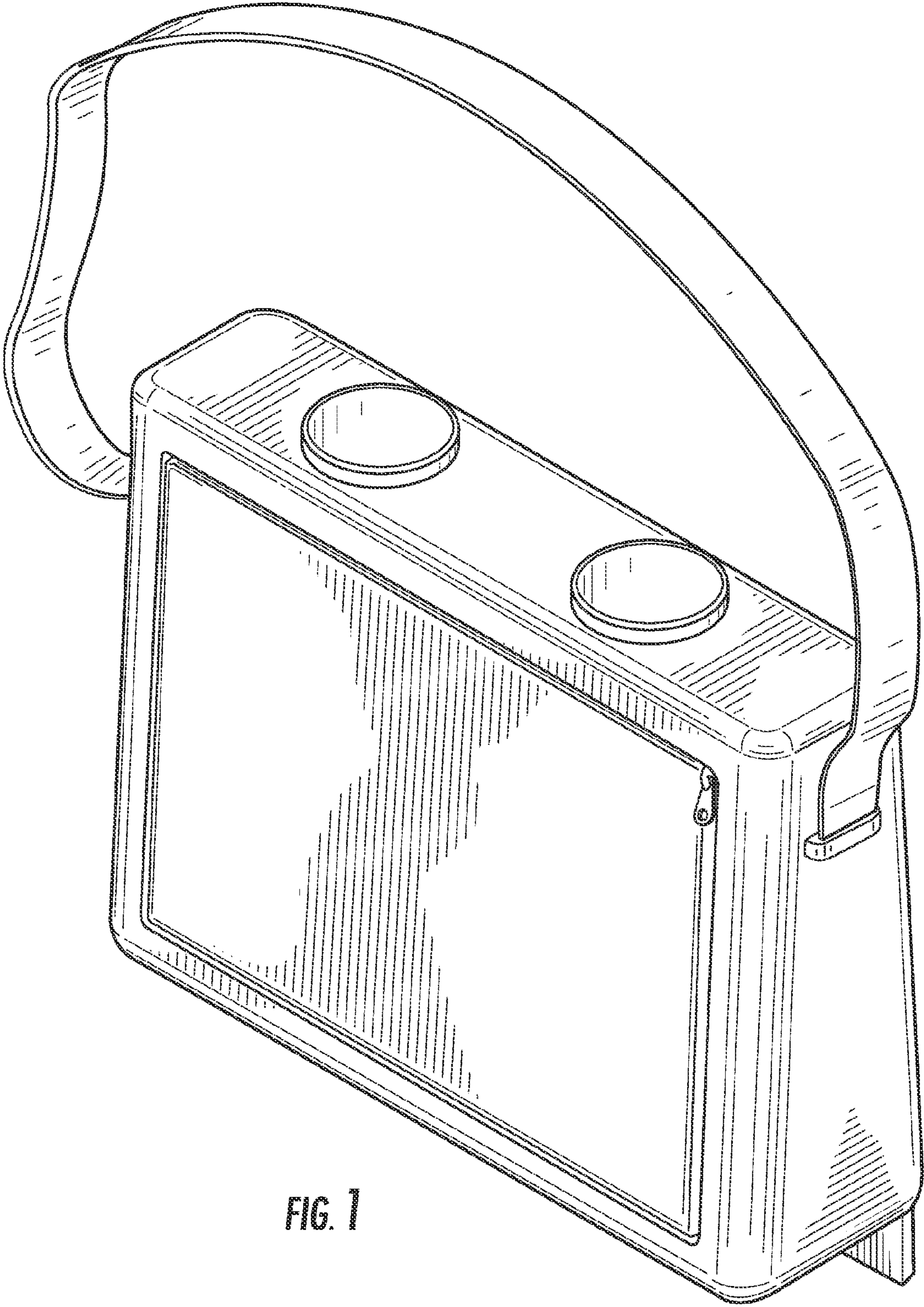


FIG. 1

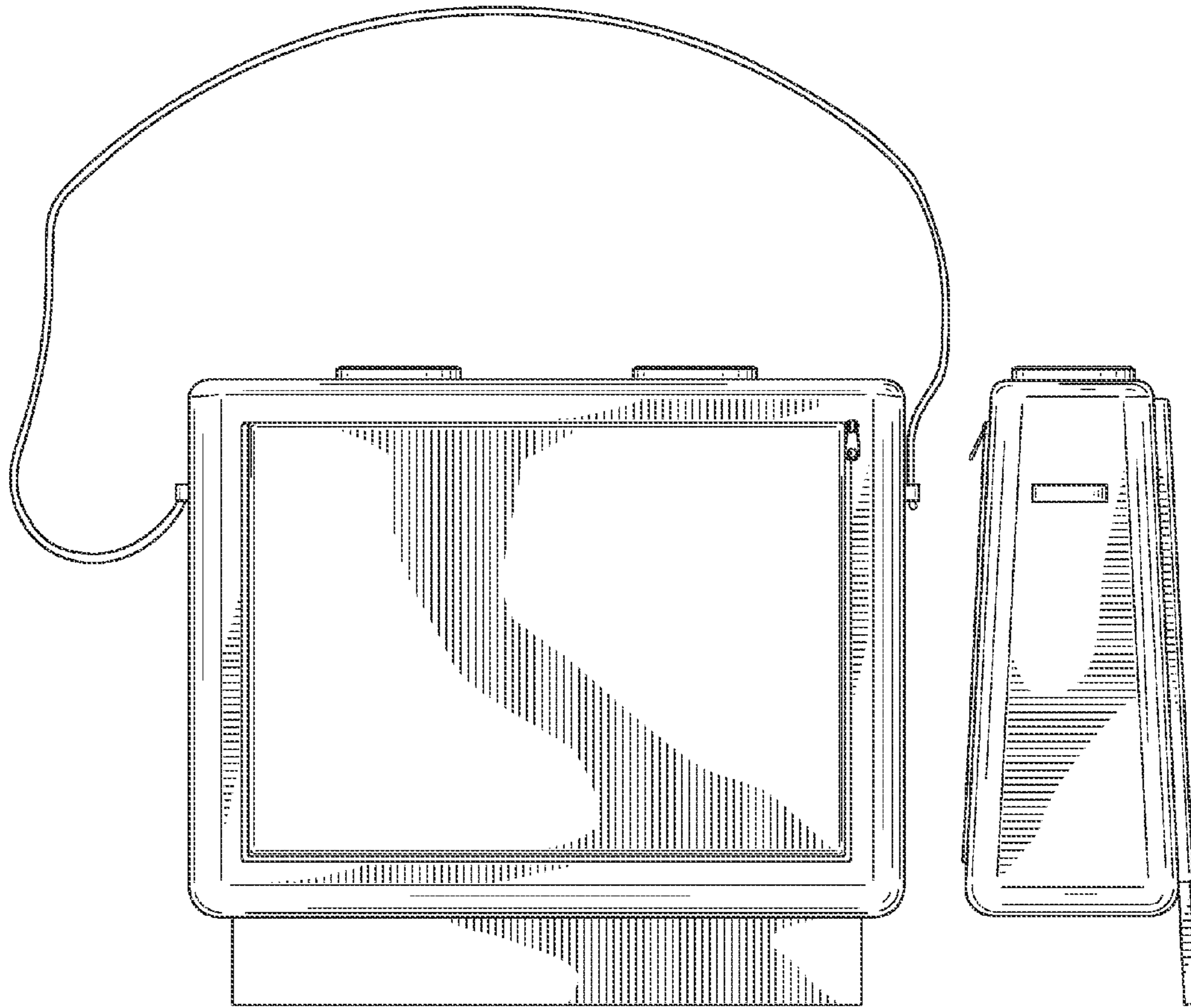


FIG. 2

FIG. 3

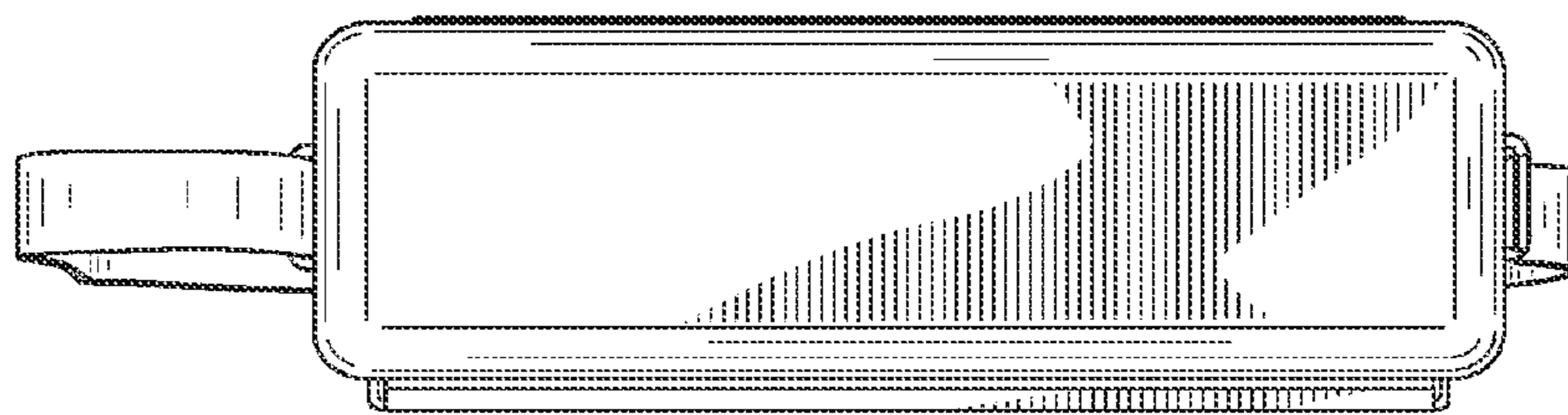


FIG. 4

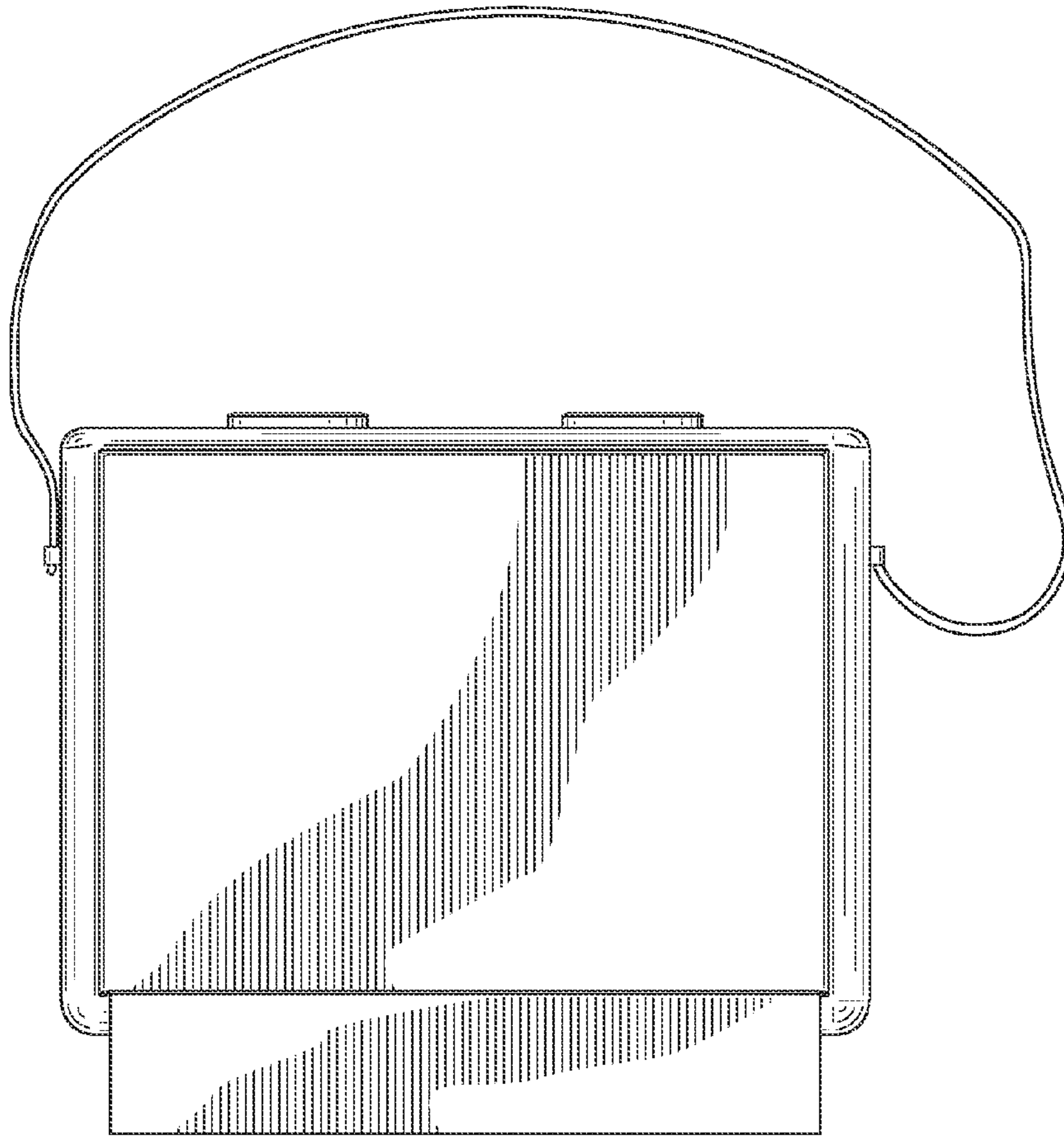


FIG. 5

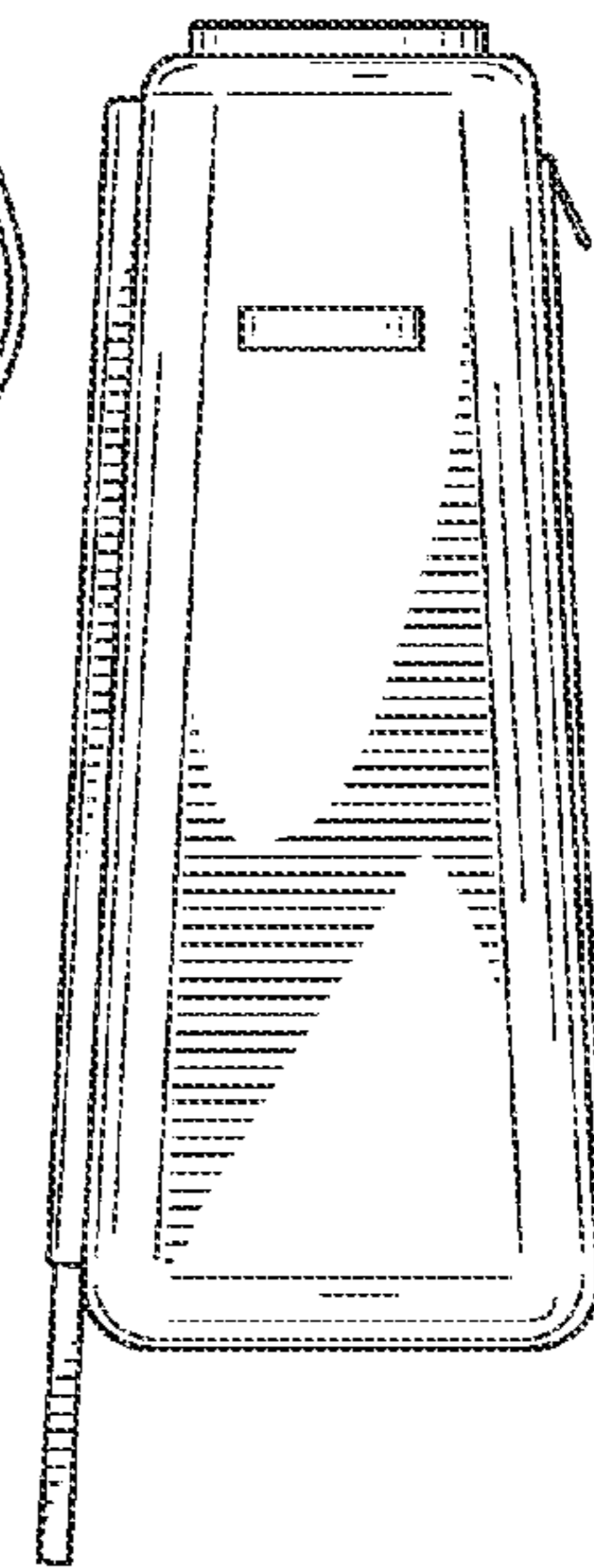


FIG. 6

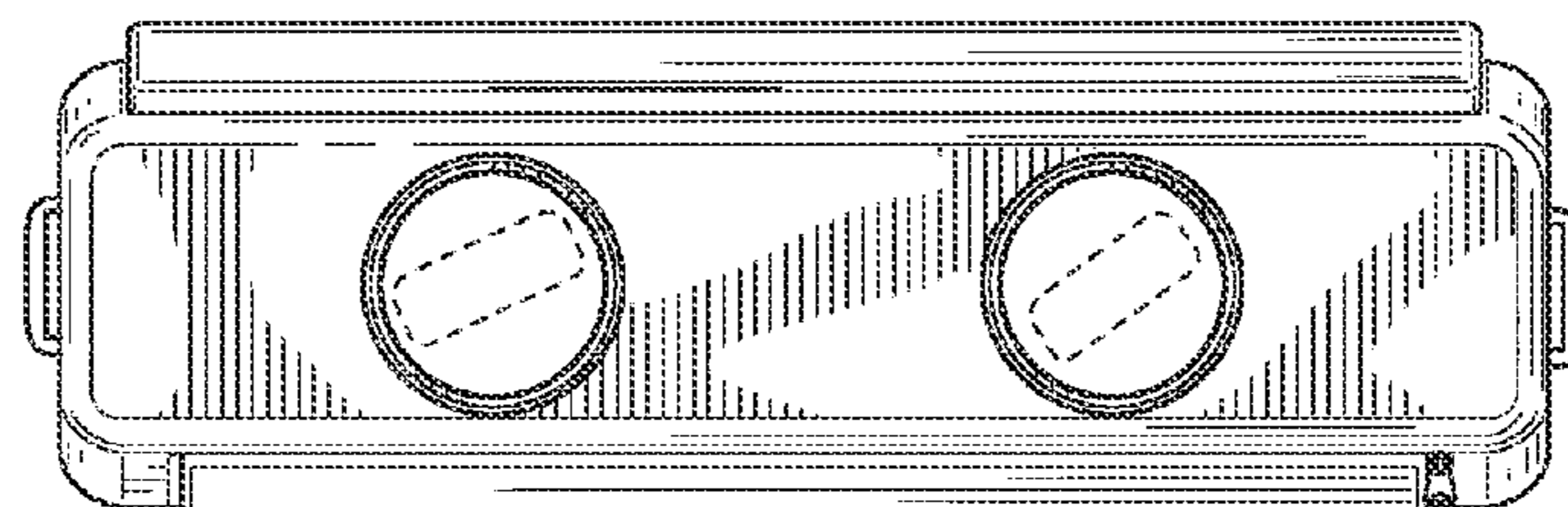


FIG. 7

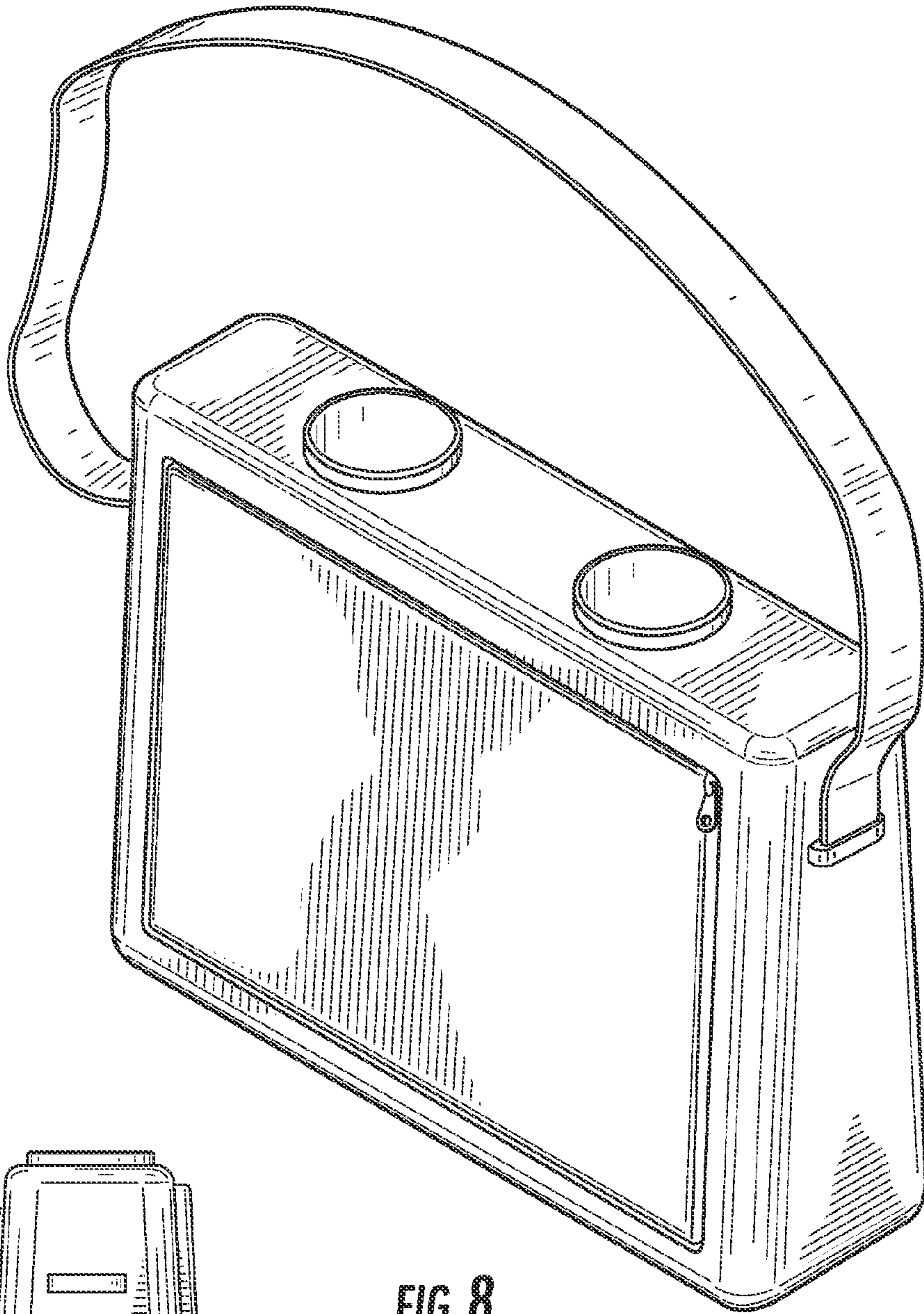


FIG. 8

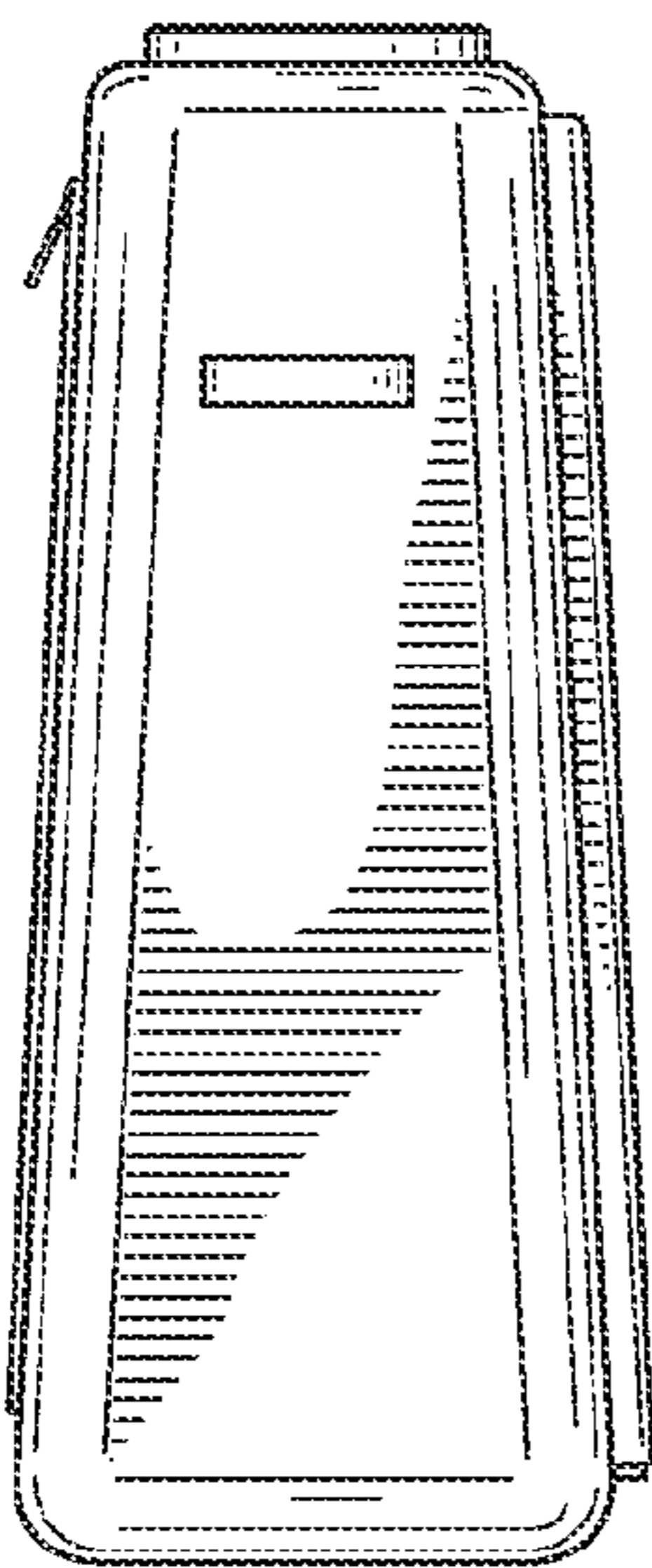


FIG. 9