



US00D632756S

(12) **United States Design Patent**
Studer et al.

(10) **Patent No.:** **US D632,756 S**
(45) **Date of Patent:** **** Feb. 15, 2011**

- (54) **RODENT TRAP**
- (75) Inventors: **Bruce R. Studer**, Germantown, WI (US); **Timothy M. Jones**, Phoenix, AZ (US)
- (73) Assignee: **Gardner Manufacturing Co., Inc.**, Horicon, WI (US)
- (**) Term: **14 Years**
- (21) Appl. No.: **29/365,263**
- (22) Filed: **Jul. 7, 2010**
- (51) **LOC (9) Cl.** **22-06**
- (52) **U.S. Cl.** **D22/119**
- (58) **Field of Classification Search** D22/119-124; 43/58, 60-61, 65-66, 69-70, 121, 124, 131, 43/132.1

See application file for complete search history.

(56) **References Cited**

U.S. PATENT DOCUMENTS

1,602,677	A	10/1926	Jorgensen	
2,454,476	A *	11/1948	Price	43/60
4,240,223	A *	12/1980	Medvetz et al.	43/58
5,148,624	A	9/1992	Schmidt	
5,272,832	A	12/1993	Marshall et al.	
5,446,992	A	9/1995	Stewart	
5,448,852	A	9/1995	Spragins et al.	
5,481,824	A	1/1996	Fiore, Jr.	
5,806,237	A	9/1998	Nelson et al.	
5,930,944	A	8/1999	Knuppel	
5,966,863	A	10/1999	Payton et al.	
6,082,042	A	7/2000	Issitt	
6,125,576	A	10/2000	Knuppel	
6,202,339	B1	3/2001	Knuppel	
6,230,434	B1	5/2001	Knuppel	
6,370,813	B1	4/2002	Nelson et al.	
6,389,738	B1	5/2002	Denny et al.	
D459,428	S	6/2002	Johnson et al.	

6,397,517	B1	6/2002	Leyerle et al.	
6,415,544	B1	7/2002	Leyerle et al.	
6,481,151	B1	11/2002	Johnson et al.	
6,493,988	B1	12/2002	Johnson	
6,622,422	B2	9/2003	Gehret et al.	
6,631,582	B2	10/2003	Knuppel et al.	
6,691,452	B1	2/2004	Knuppel et al.	
6,694,669	B2	2/2004	Gehret et al.	
6,735,899	B1	5/2004	Anderson et al.	
6,735,900	B2	5/2004	Wiesener et al.	
6,775,947	B2	8/2004	Anderson et al.	
6,796,081	B2	9/2004	Anderson et al.	
6,955,007	B2	10/2005	Gehret et al.	
6,990,766	B2	1/2006	Gehret et al.	
D566,551	S	4/2008	Pettigrew et al.	
7,363,744	B2	4/2008	Kness et al.	
7,458,182	B2	12/2008	Johnson	
D609,302	S *	2/2010	Brandt et al.	D22/119
D617,864	S *	6/2010	Cink et al.	D22/119

* cited by examiner

Primary Examiner—Catherine R Oliver

(74) *Attorney, Agent, or Firm*—Thomas J. Nikolai; Nikolai & Mersereau, P.A.

(57) **CLAIM**

The ornamental design for a rodent trap, substantially as shown and described.

DESCRIPTION

FIG. 1 is a front and right side perspective view of the rodent trap showing our new design;

FIG. 2 is a front elevational view thereof.

FIG. 3 is a top plan view thereof.

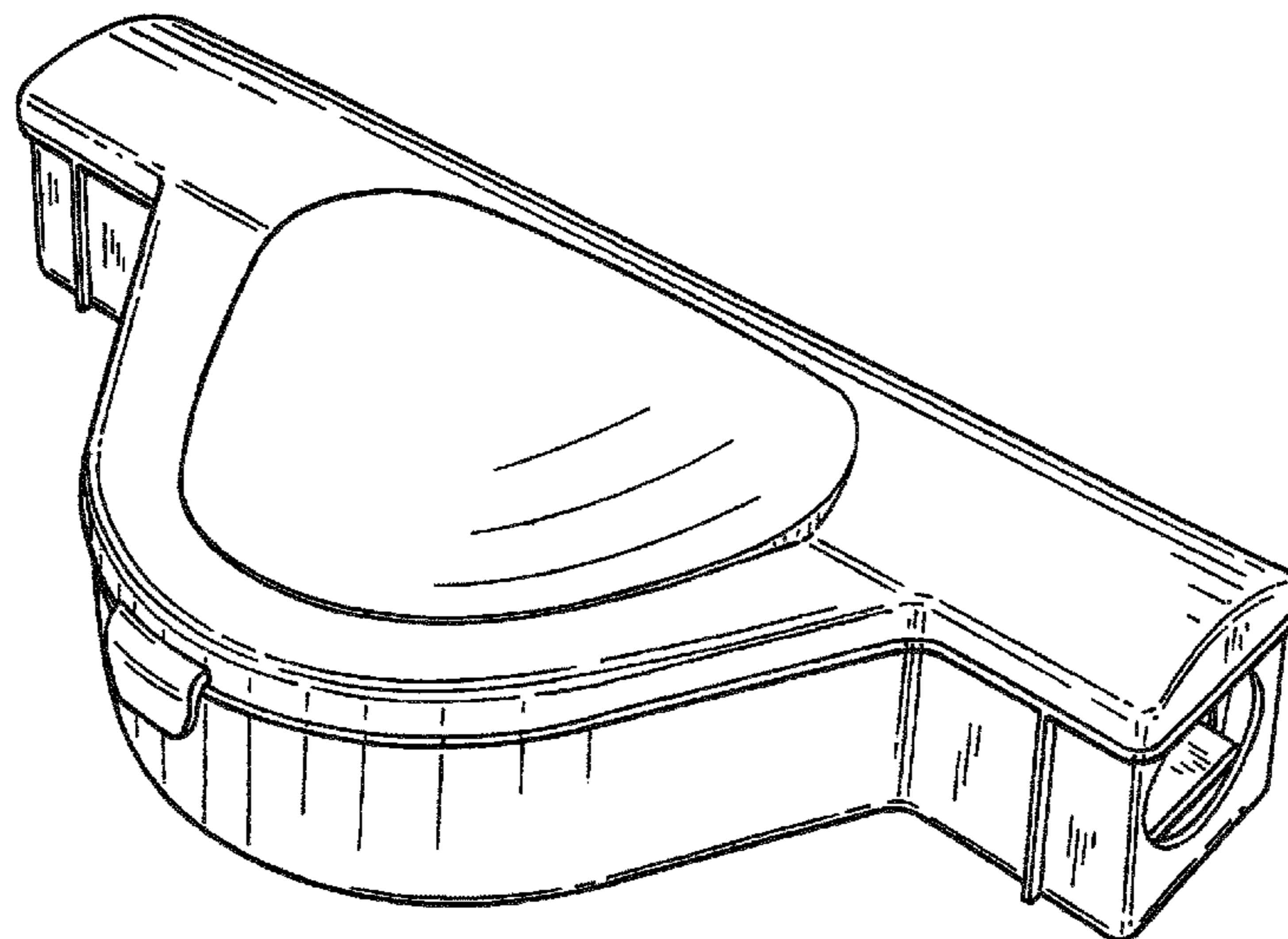
FIG. 4 is a left side elevational view thereof.

FIG. 5 is a rear elevational view thereof.

FIG. 6 is a right side elevational view thereof; and,

FIG. 7 is a bottom plan view thereof.

1 Claim, 2 Drawing Sheets



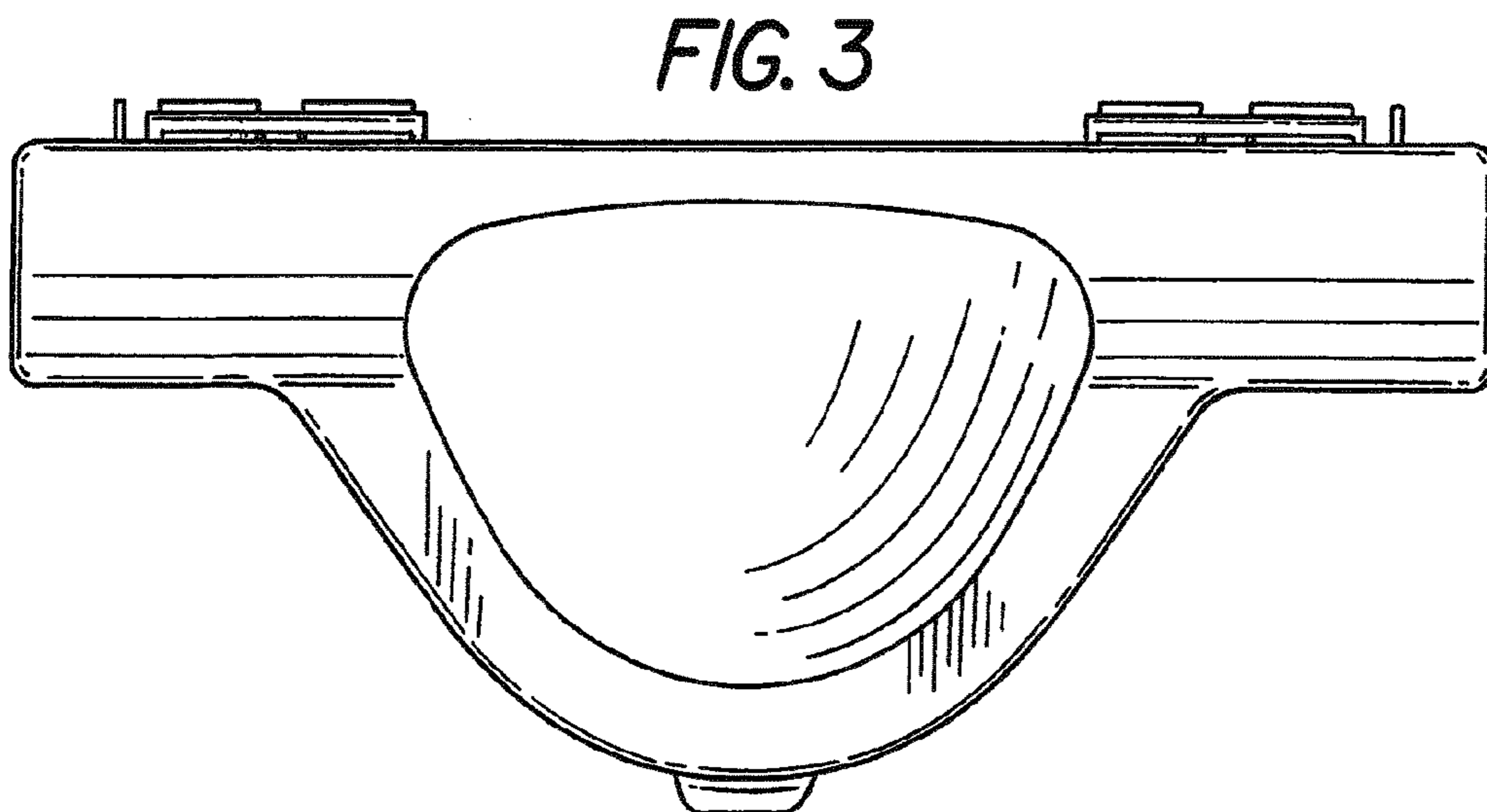
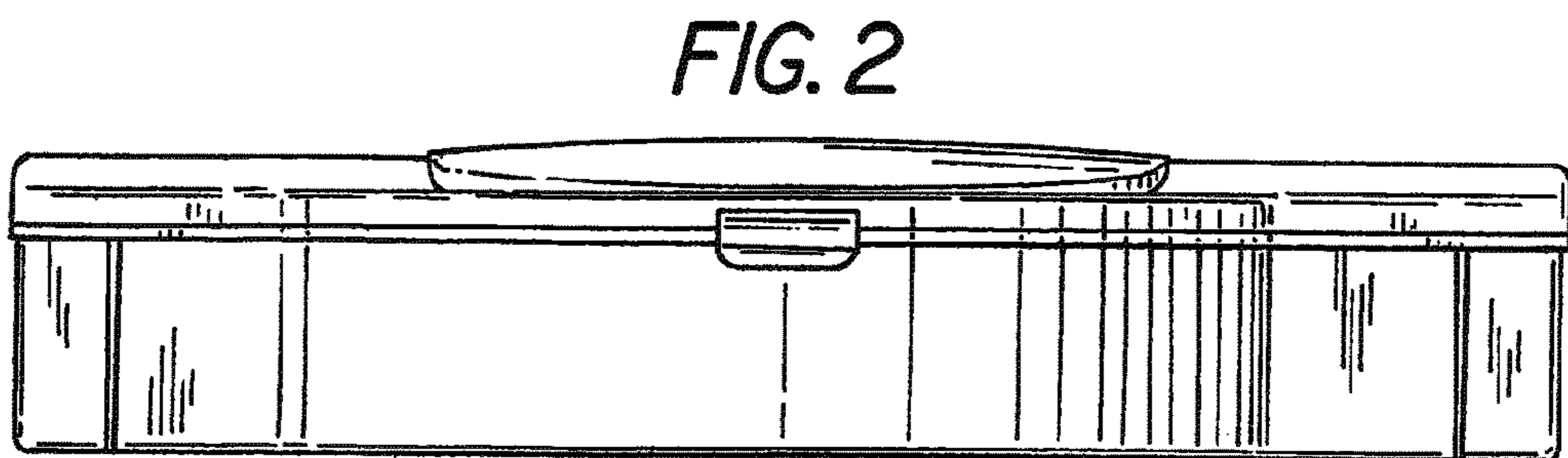
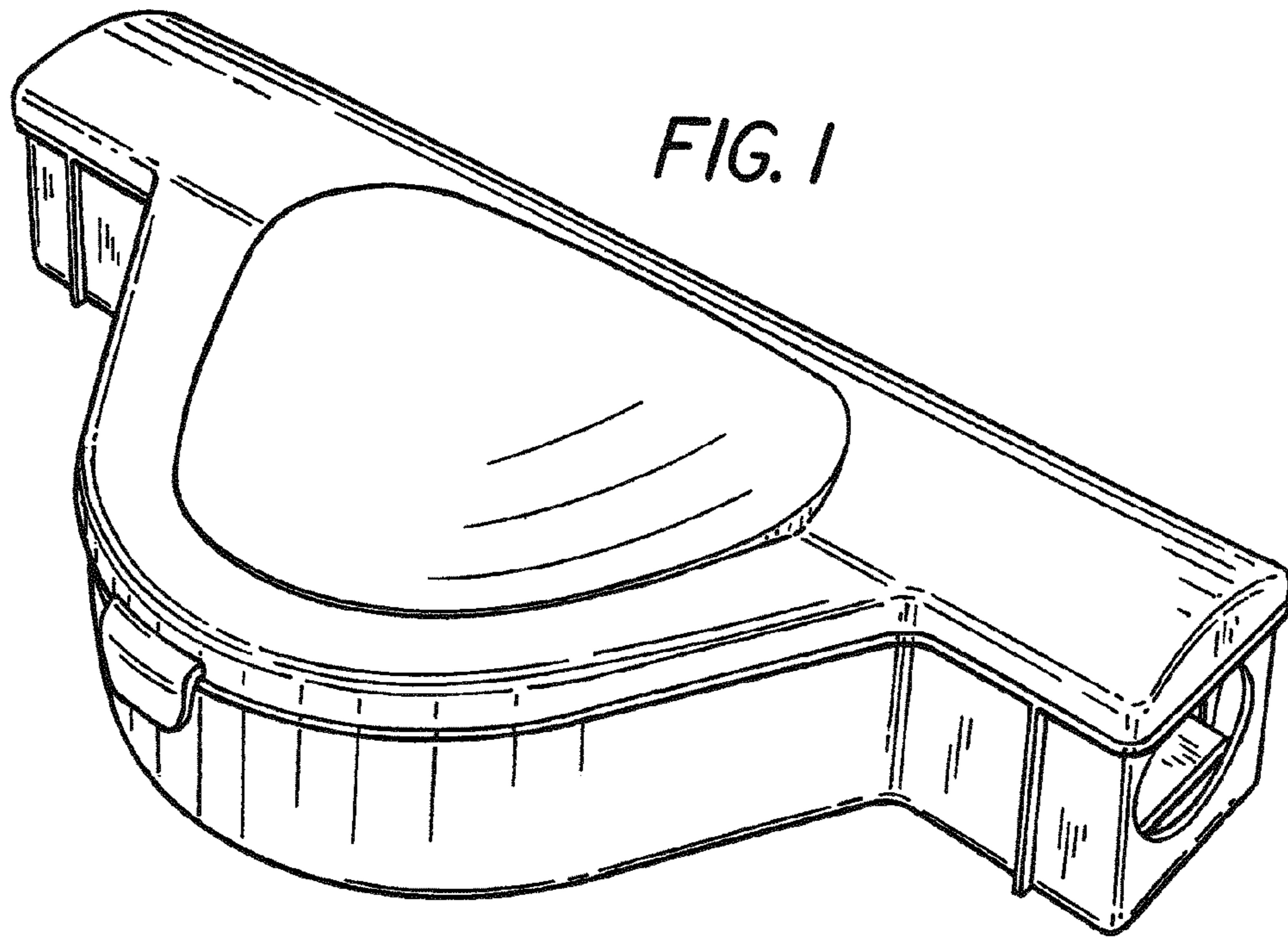


FIG. 4

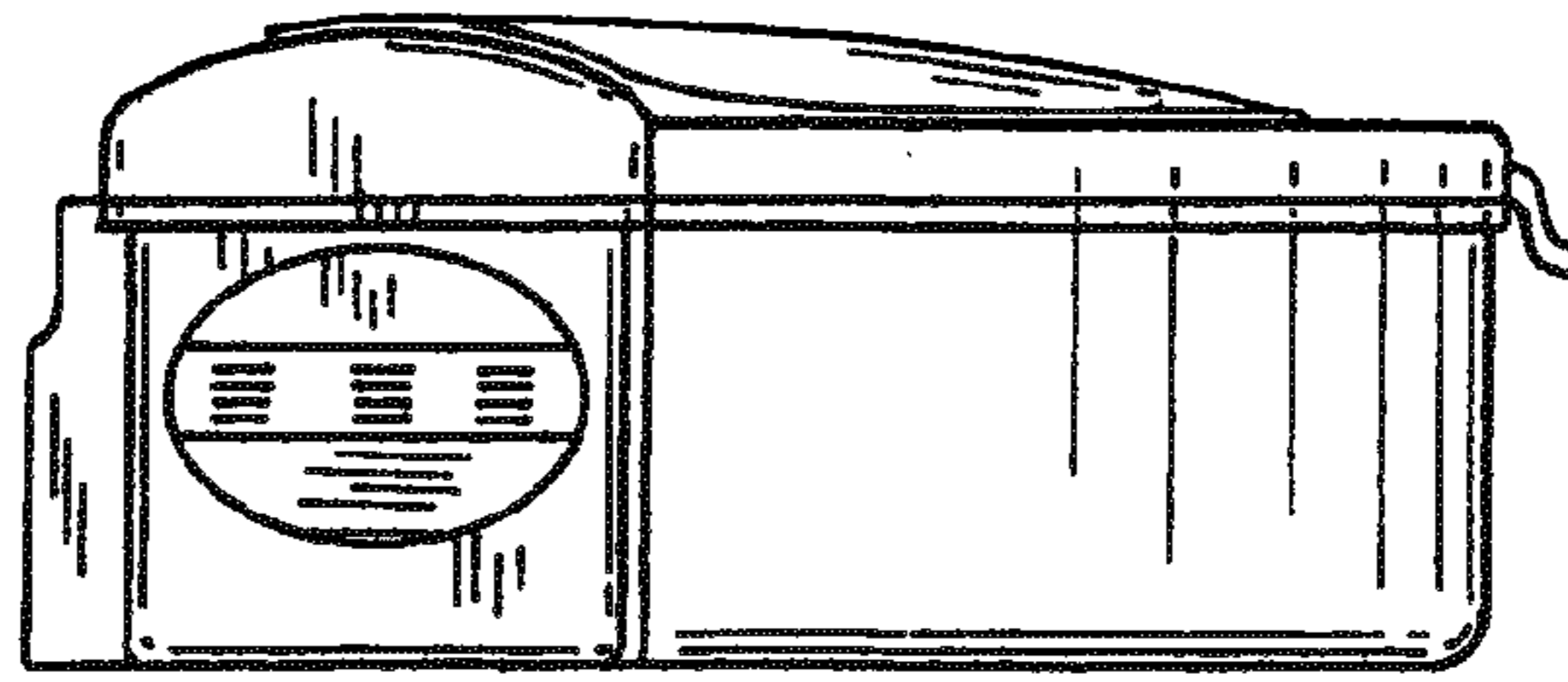


FIG. 5

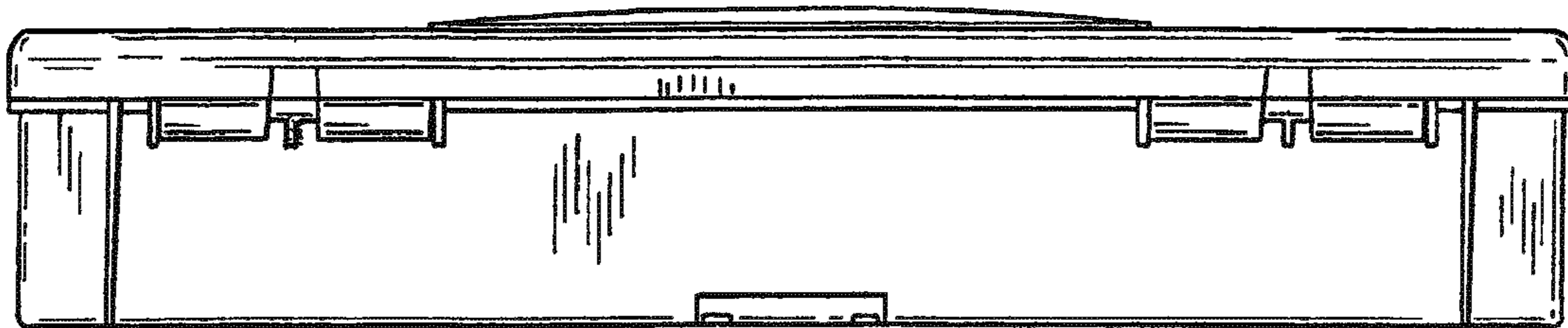


FIG. 6

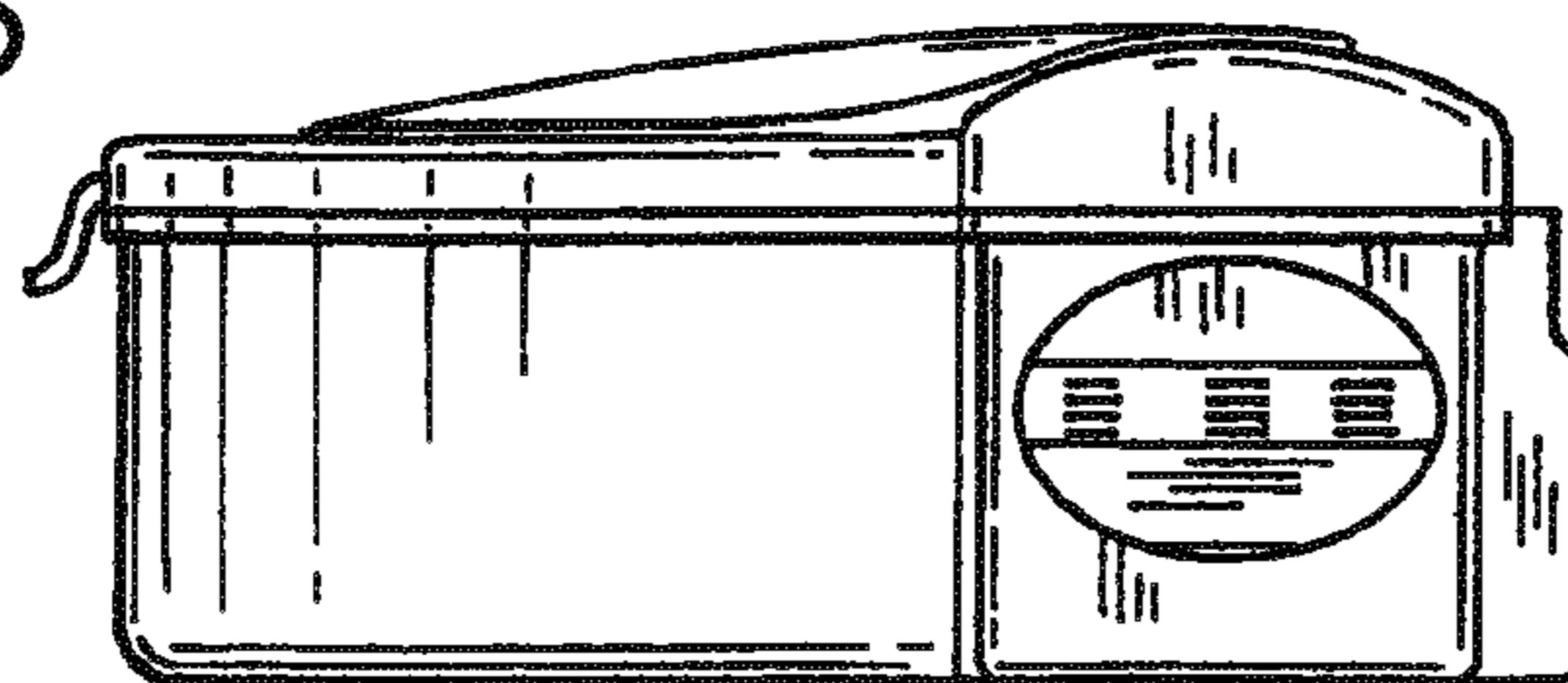


FIG. 7

