



US00D632753S

(12) **United States Design Patent**
Leighton et al.

(10) **Patent No.:** **US D632,753 S**

(45) **Date of Patent:** **** *Feb. 15, 2011**

(54) **TELESCOPIC SIGHT MOUNT**

(75) Inventors: **Sky Leighton**, Greeley, CO (US);
Patrick Beckett, Greeley, CO (US);
Walt Stoddard, Loveland, CO (US)

(73) Assignee: **Burriss Company**, Greeley, CO (US)

(*) Notice: This patent is subject to a terminal disclaimer.

(**) Term: **14 Years**

(21) Appl. No.: **29/314,859**

(22) Filed: **May 4, 2009**

(51) **LOC (9) Cl.** **22-01**

(52) **U.S. Cl.** **D22/109**

(58) **Field of Classification Search** D22/100,
D22/108, 109, 110, 199; 42/11, 113, 116,
42/119, 124, 125, 127, 90, 145, 128, 72,
42/106, 114, 85, 75.02, 71.01; 248/205.1,
248/201

See application file for complete search history.

(56) **References Cited**

U.S. PATENT DOCUMENTS

D259,944	S	*	7/1981	Burriss	D22/110
4,367,606	A	*	1/1983	Bechtel	42/127
4,501,071	A	*	2/1985	Manske	42/127
D317,344	S		6/1991	Klumpp		
5,033,219	A	*	7/1991	Johnson et al.	42/115
D383,826	S	*	9/1997	Weigand	D22/110
6,874,269	B2	*	4/2005	Chen et al.	42/85
D554,730	S	*	11/2007	Coggins	D22/110
D600,312	S	*	9/2009	Swan	D22/109

2004/0148842 A1 * 8/2004 Aalto et al. 42/127
2008/0034638 A1 * 2/2008 Spuhr 42/127

* cited by examiner

Primary Examiner—T. Chase Nelson
Assistant Examiner—Michael A Pratt

(57) **CLAIM**

The ornamental design for a telescopic sight mount, as shown and described.

DESCRIPTION

FIG. 1 is a perspective view from the right rear of the top of the first embodiment of the telescopic sight mount.

FIG. 2 is a perspective view from the right rear of the top of the second embodiment of the telescopic sight mount.

FIG. 3 is a top plan view of the telescopic sight mount of FIG. 1 with the front end facing right.

FIG. 4 is a right side elevation view of the telescopic sight mount of FIG. 1.

FIG. 5 is a bottom plan view of the telescopic sight mount of FIG. 1 with the front end facing right.

FIG. 6 is a left side elevation view of the telescopic sight mount of FIG. 1.

FIG. 7 is a front elevation view of the telescopic sight mount of FIG. 1; and,

FIG. 8 is a rear elevation view of the telescopic sight mount of FIG. 1.

The recesses of nuts and bolts shown in broken lines in FIGS. 5 and 6 are included for the purpose of illustration and form no part of the claimed design.

1 Claim, 4 Drawing Sheets

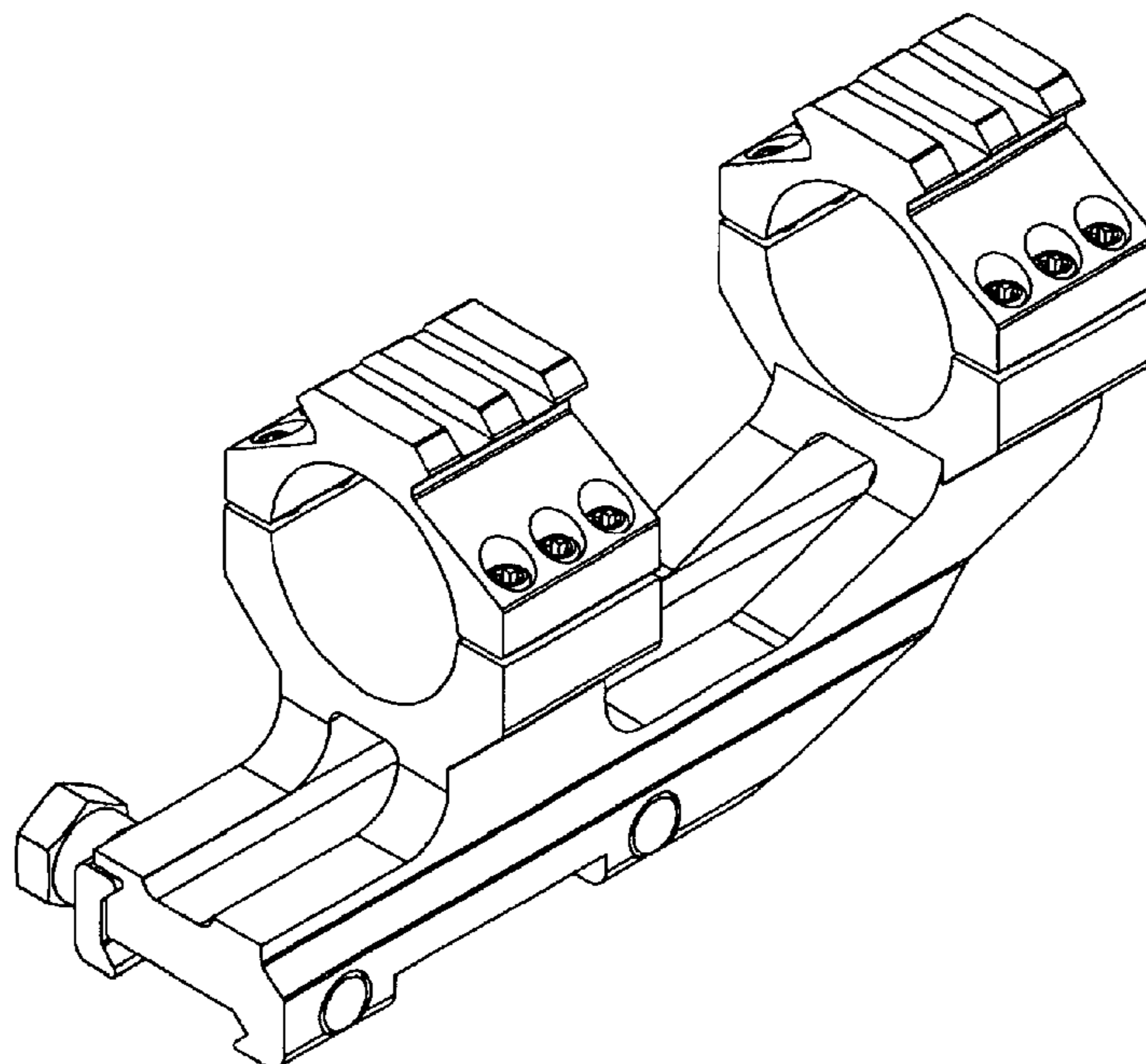


FIG. 1

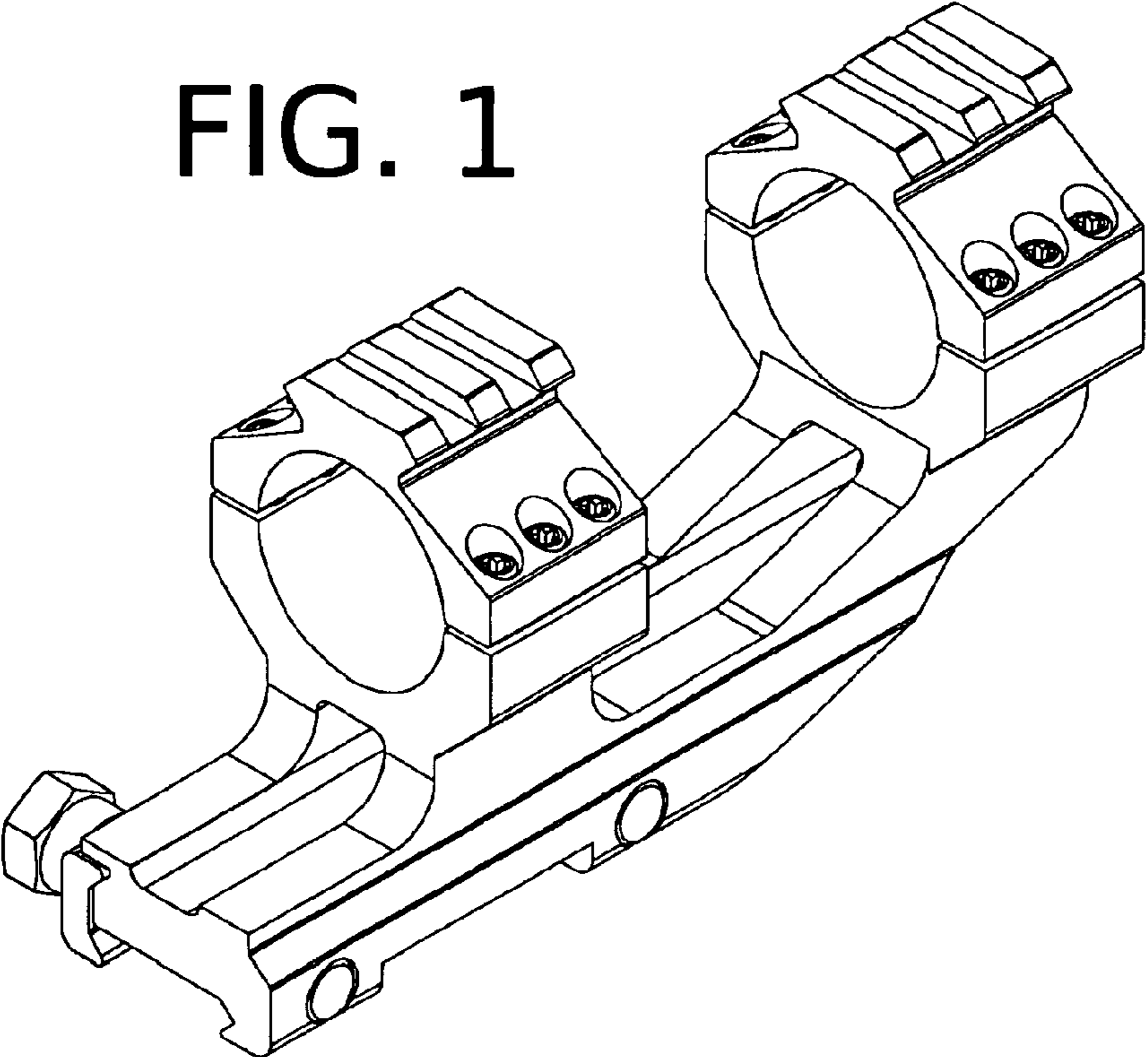


FIG. 2

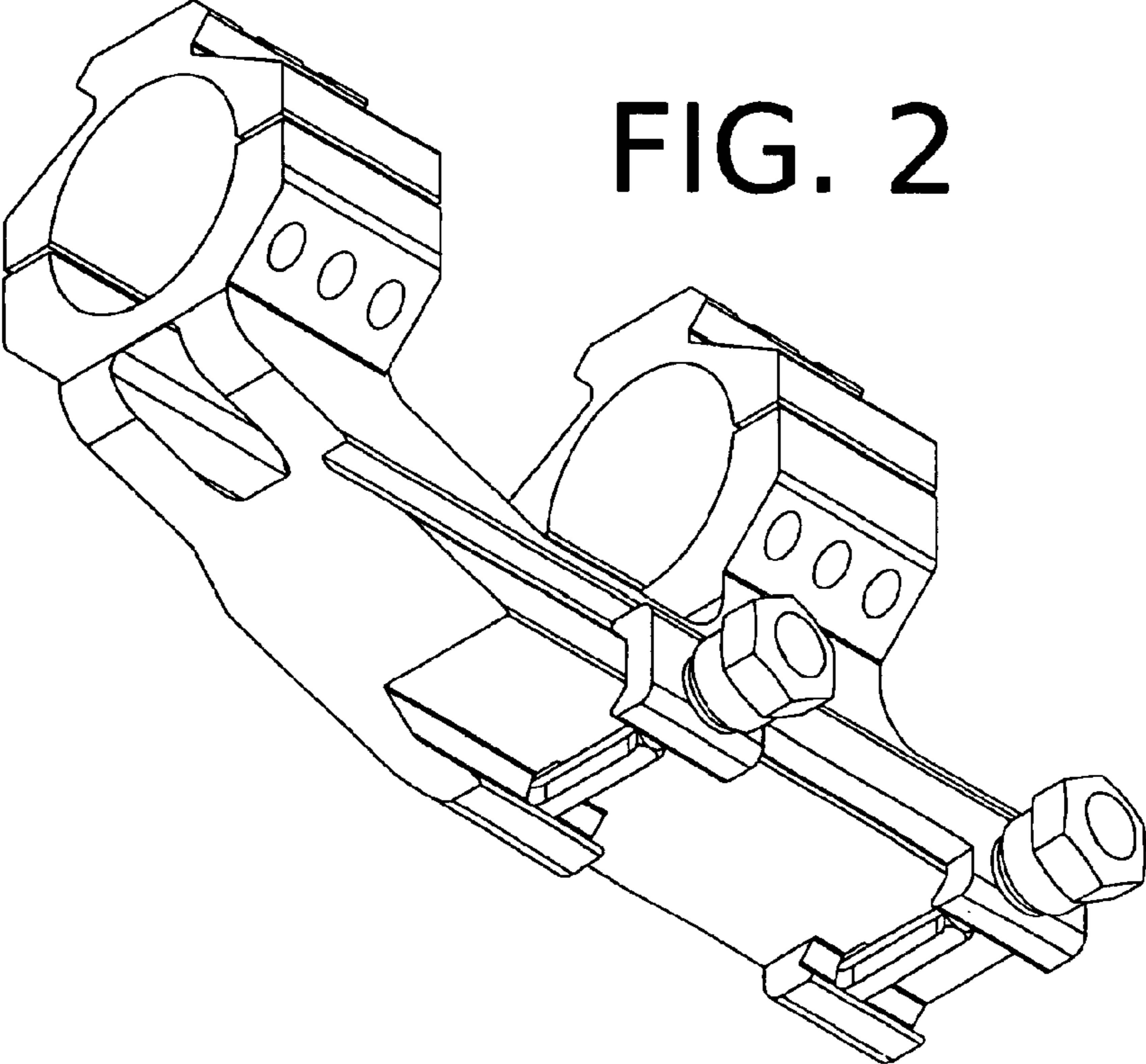


FIG. 3

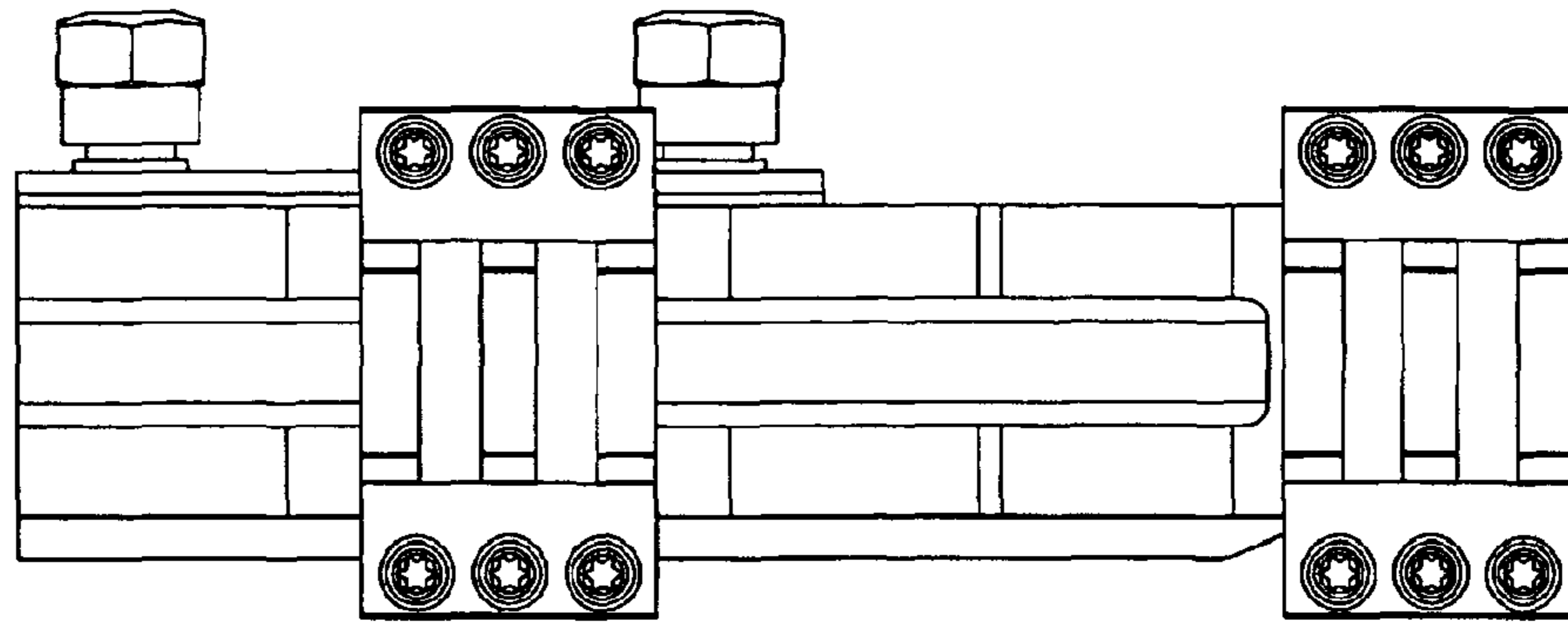


FIG. 4

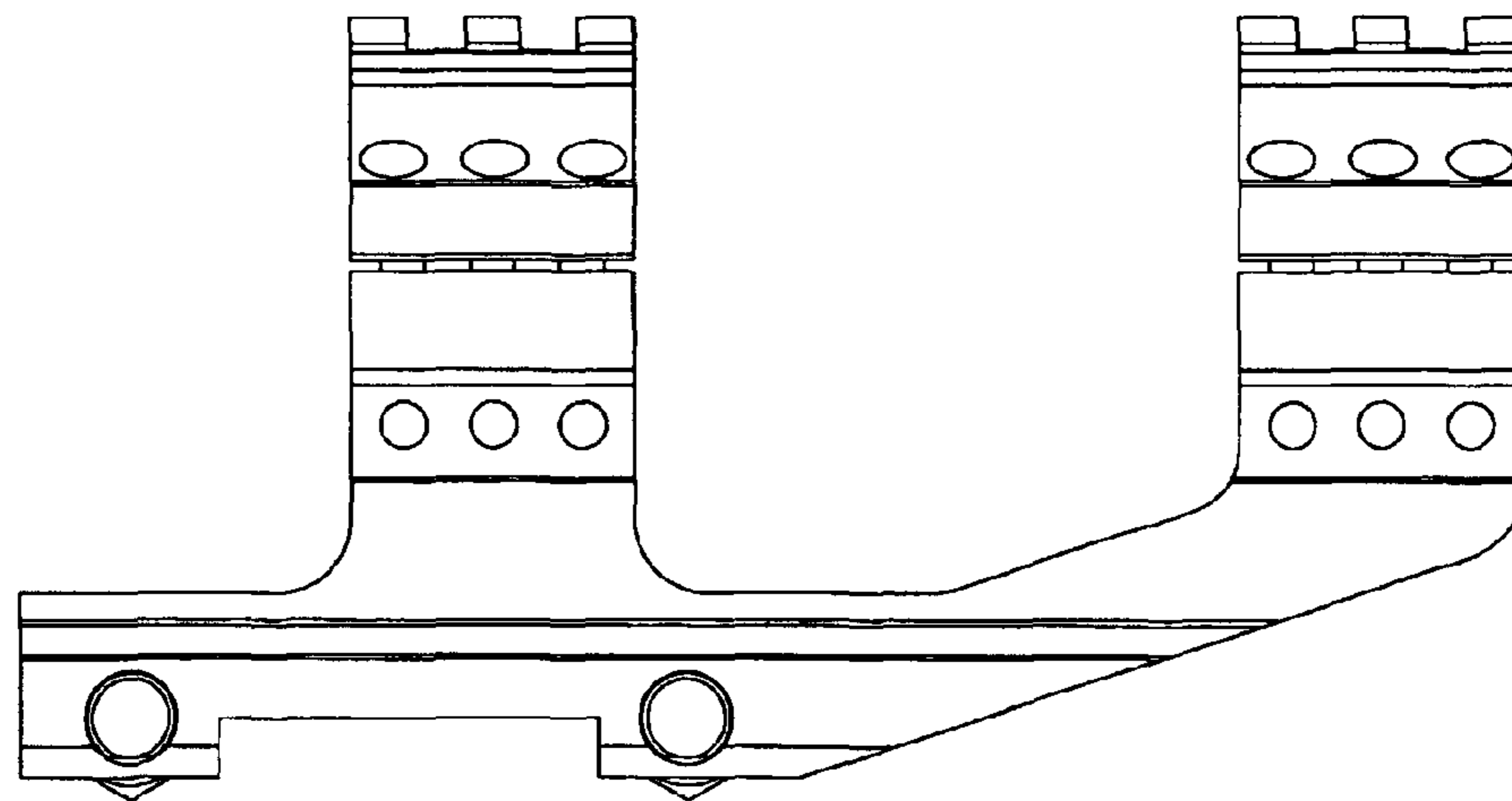


FIG. 5

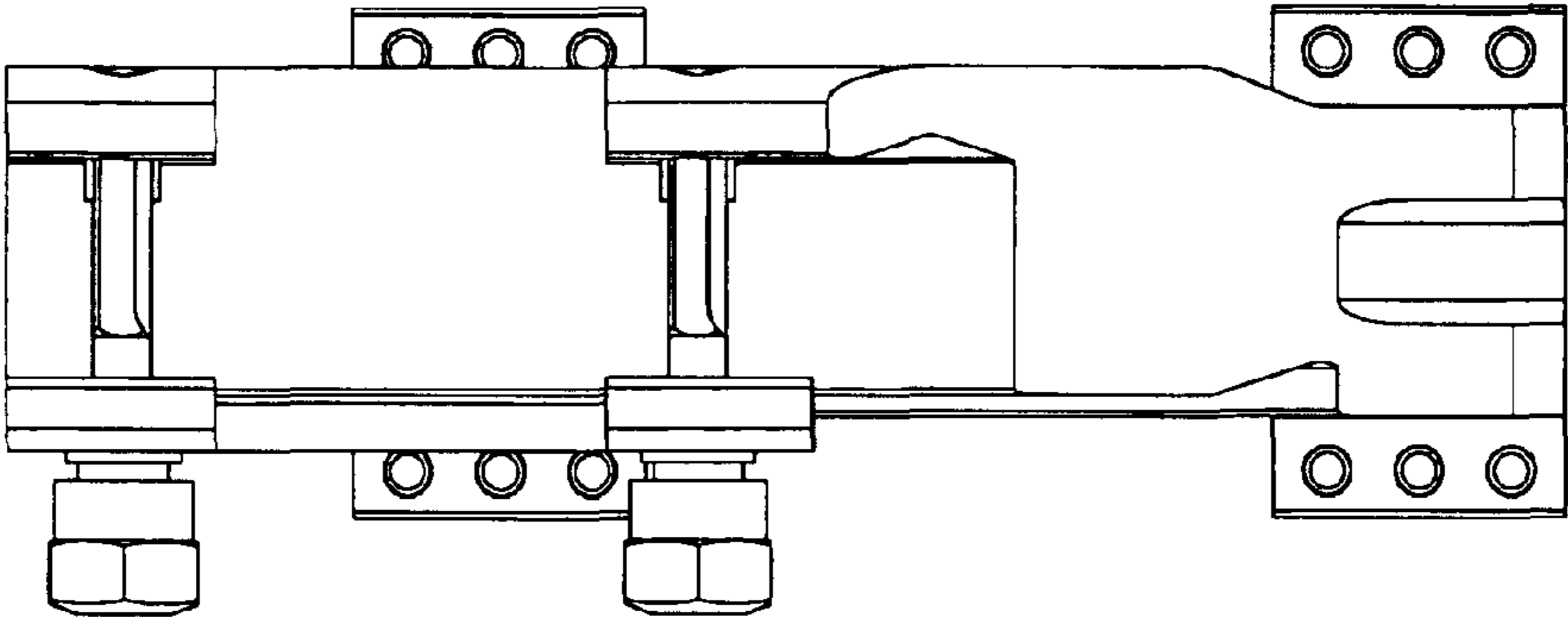


FIG. 6

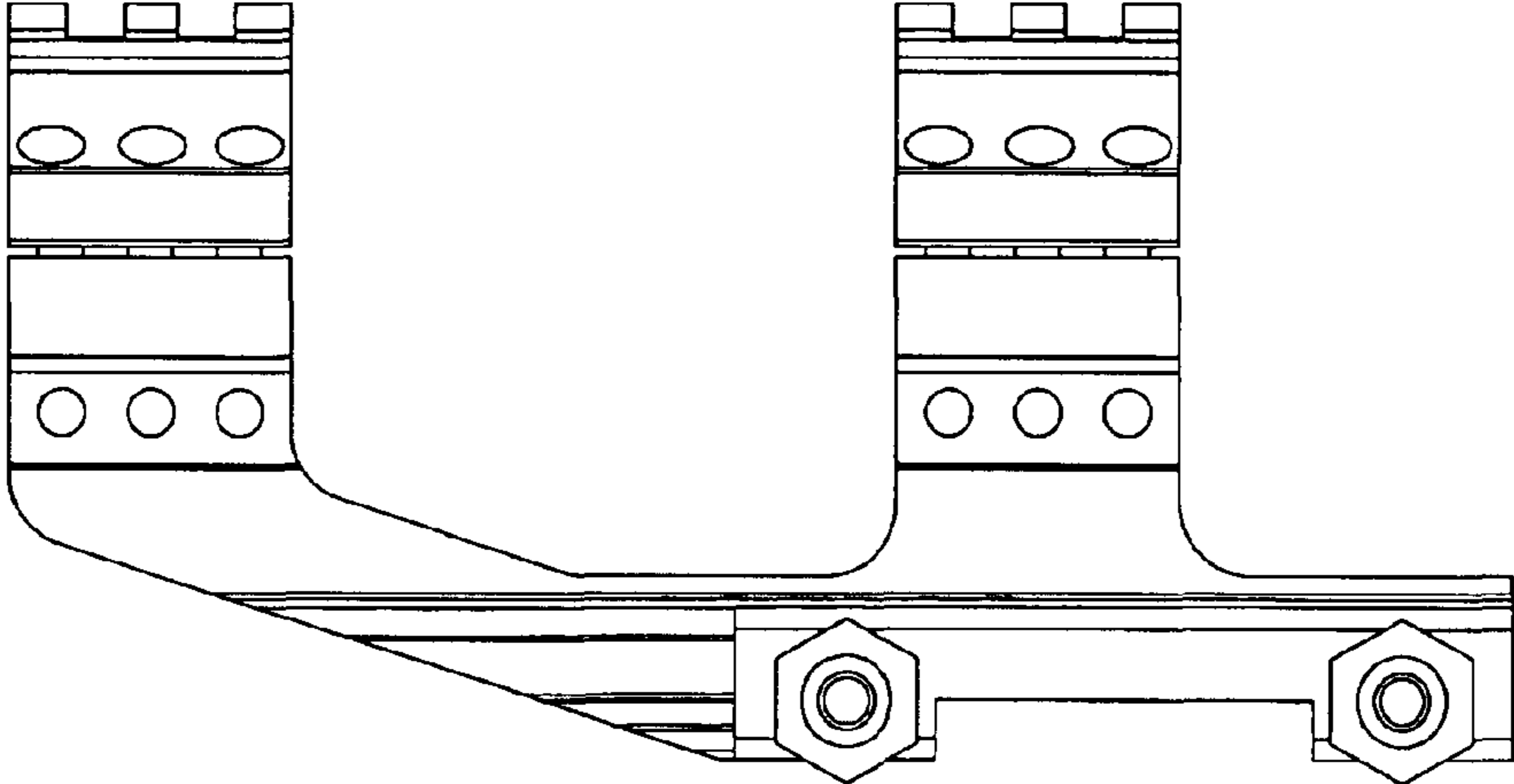


FIG. 7

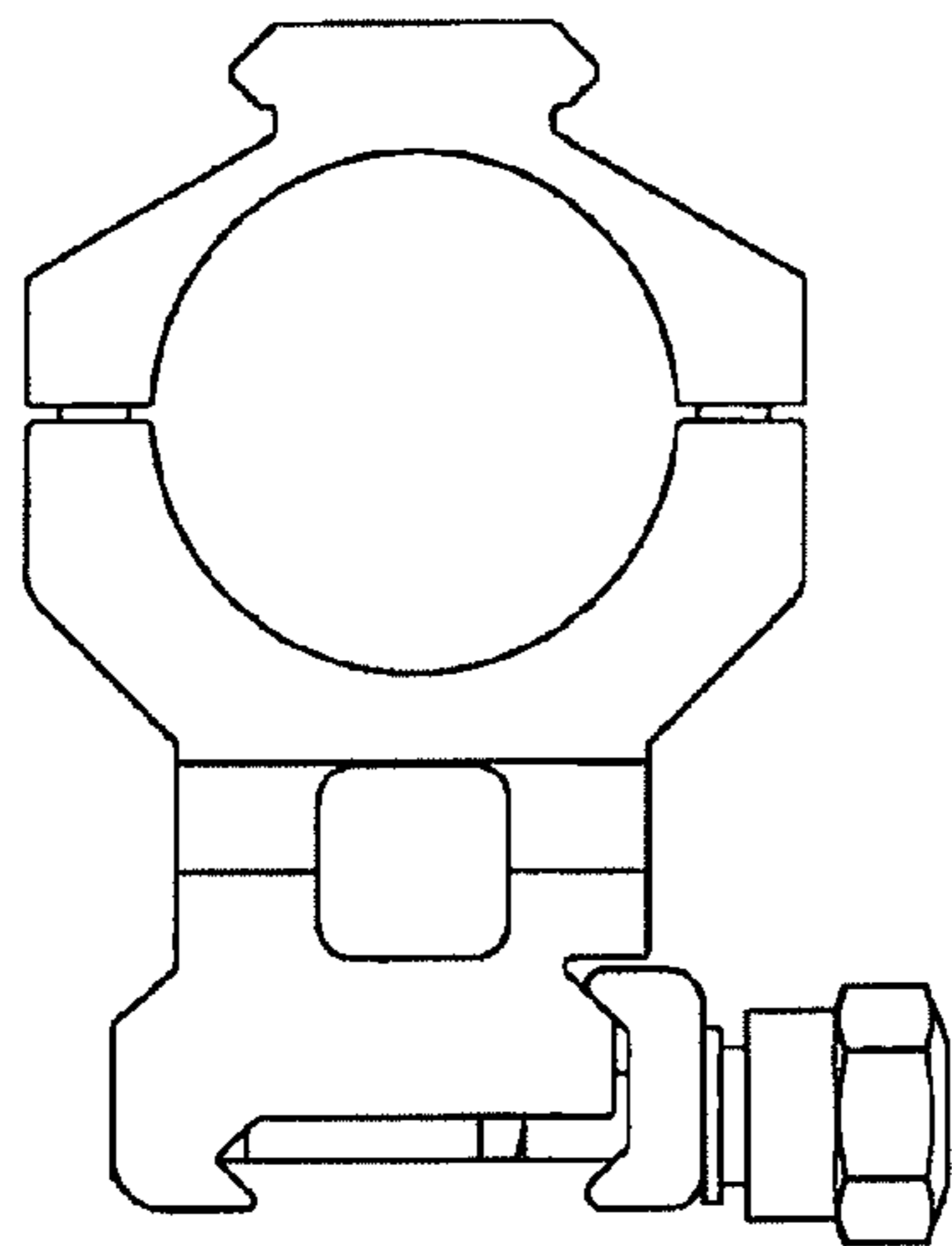


FIG. 8

