

US00D632751S

(12) **United States Design Patent**
Bowers et al.

(10) **Patent No.:** **US D632,751 S**
(45) **Date of Patent:** **** Feb. 15, 2011**

(54) **FIREARM SUPPRESSOR COVER**

(76) Inventors: **Thomas A. Bowers**, P.O. Box 430,
Cornelius, OR (US) 97113; **Dorothy E. Conway**, P.O. Box 430, Cornelius, OR
(US) 97113

(**) Term: **14 Years**

(21) Appl. No.: **29/348,816**

(22) Filed: **Feb. 12, 2010**

(51) **LOC (9) Cl.** **22-01**

(52) **U.S. Cl.** **D22/108**

(58) **Field of Classification Search** D22/100,
D22/101, 103, 104, 108, 199; D21/572,
D21/573; 42/51, 71.01, 75.01, 75.02, 90,
42/94, 134, 136, 139, 125, 72, 111; 362/110;
33/241, 277; 313/105 R; 89/40.06, 41.19,
89/37.04, 33.04, 191.01, 200-204; 124/67,
124/66, 72, 74; D25/119-125

See application file for complete search history.

(56) **References Cited**

U.S. PATENT DOCUMENTS

5,048,572 A	9/1991	Levine	
D327,516 S *	6/1992	Ingvarsson	D25/122
D330,600 S *	10/1992	Stagl	D25/122
D344,351 S *	2/1994	Stagl	D25/122
D370,273 S *	5/1996	Stagl	D25/122
D427,669 S	7/2000	Ruuska	

* cited by examiner

Primary Examiner—T. Chase Nelson

Assistant Examiner—Michael A Pratt

(74) *Attorney, Agent, or Firm*—David O. Simmons

(57) **CLAIM**

The ornamental design for a firearm suppressor cover, substantially as shown and described.

DESCRIPTION

FIG. 1 is a perspective view of a firearm suppressor cover in accordance with a first embodiment of the present invention;

FIG. 2 is a front view of the firearm suppressor cover shown in FIG. 1, which is a mirror image of a rear view thereof;

FIG. 3 is a top view of the firearm suppressor cover shown in FIG. 1, which is a mirror image of a bottom view thereof;

FIG. 4 is a right side view of the firearm suppressor cover shown in FIG. 1, which is a mirror image of a left side view thereof;

FIG. 5 is a perspective view showing a firearm suppressor mounted within the firearm suppressor cover shown in FIG. 1;

FIG. 6 is a front view showing a firearm suppressor cover in accordance with a second embodiment of the present invention, which has rounded ribs on its exterior surface as opposed to the flat exterior ribs of the firearm suppressor cover shown in FIG. 1;

FIG. 7 is a front view showing a firearm suppressor cover in accordance with a third embodiment of the present invention, which has rounded ribs on its interior surface as opposed to the flat interior ribs of the firearm suppressor cover shown in FIG. 1; and,

FIG. 8 is a front view showing a firearm suppressor cover in accordance with a fourth embodiment of the present invention, which has rounded ribs on its interior and exterior surfaces as opposed to the flat interior and exterior ribs of the firearm suppressor cover shown in FIG. 1.

The broken line showing of a firearm suppressor in FIG. 5 is included for the purpose of illustrating environment and forms no part of the claimed design.

1 Claim, 2 Drawing Sheets

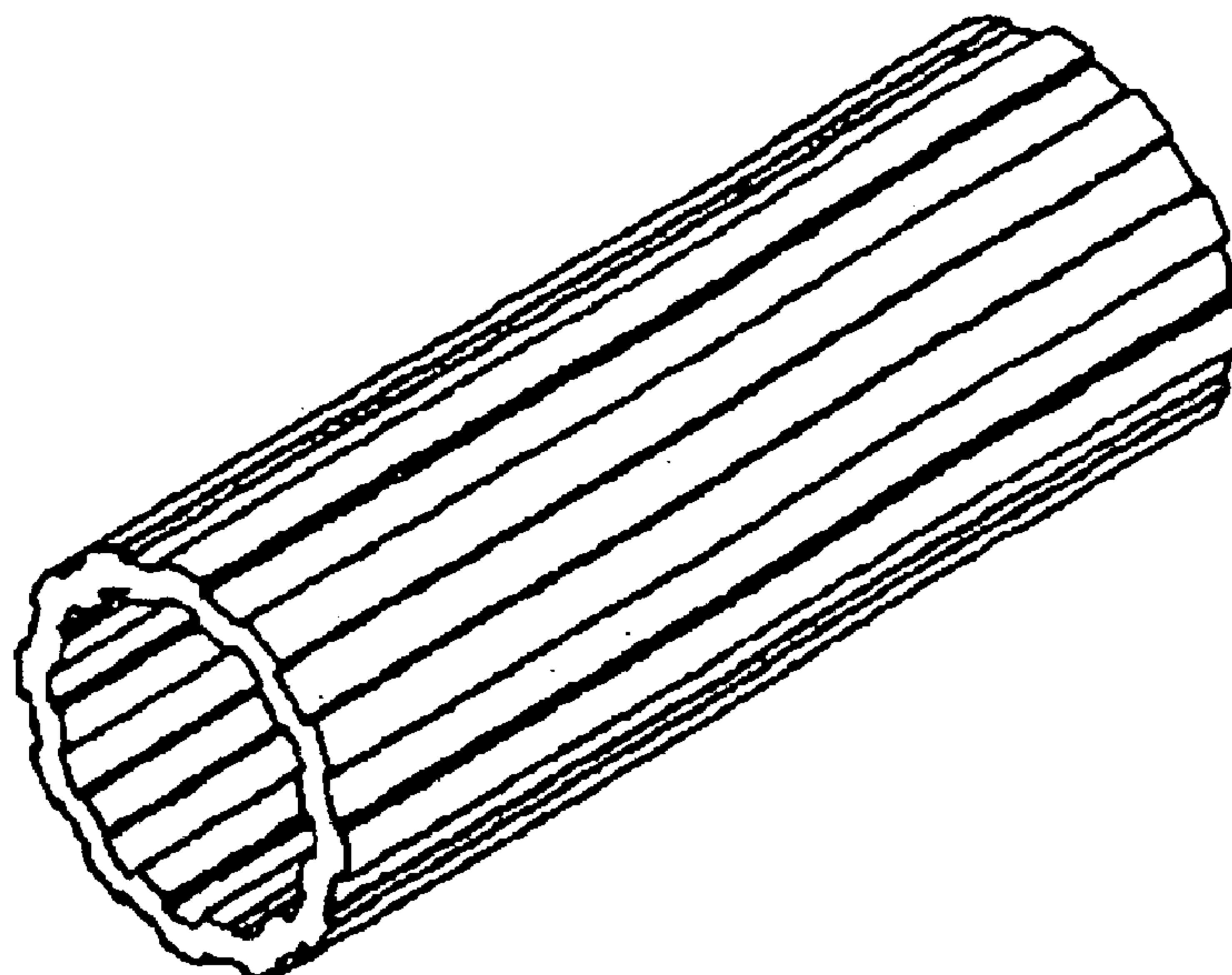


FIG. 1

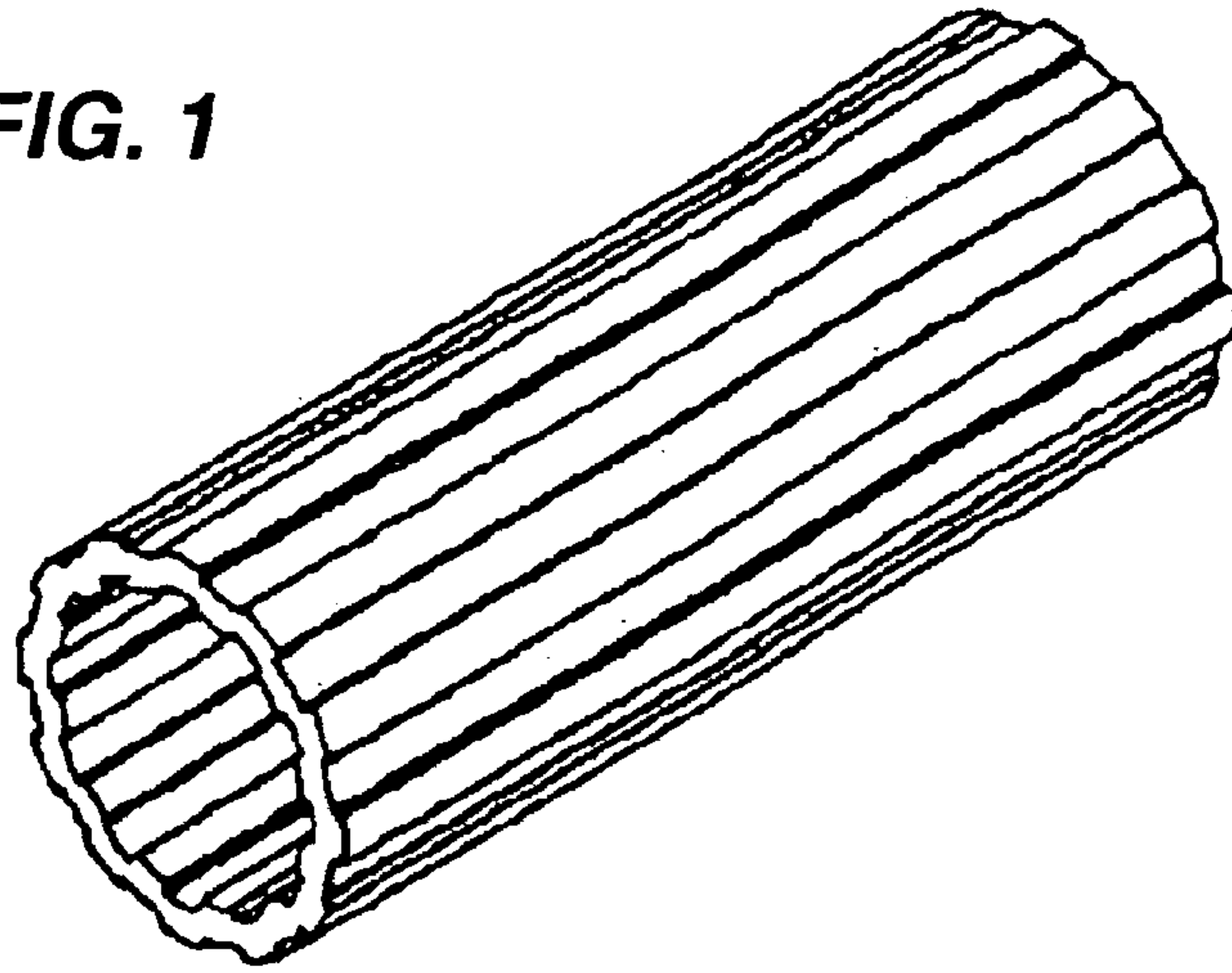


FIG. 2

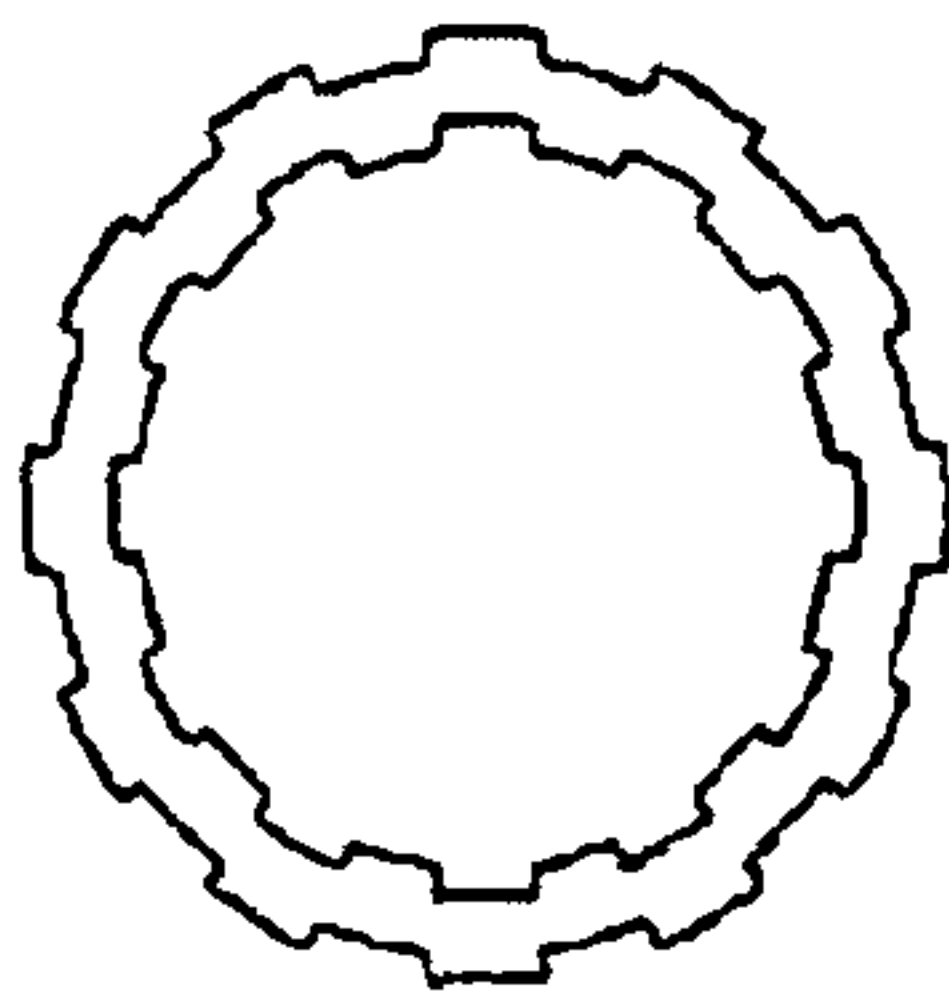


FIG. 3

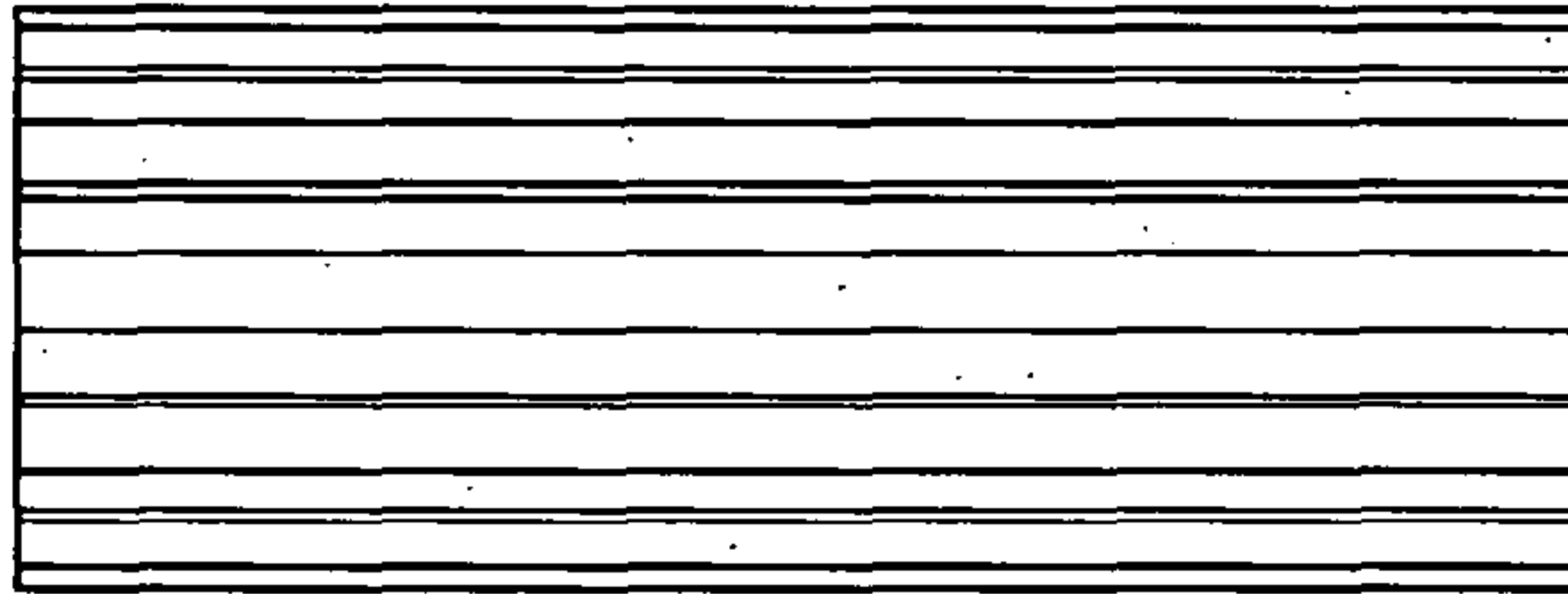


FIG. 4

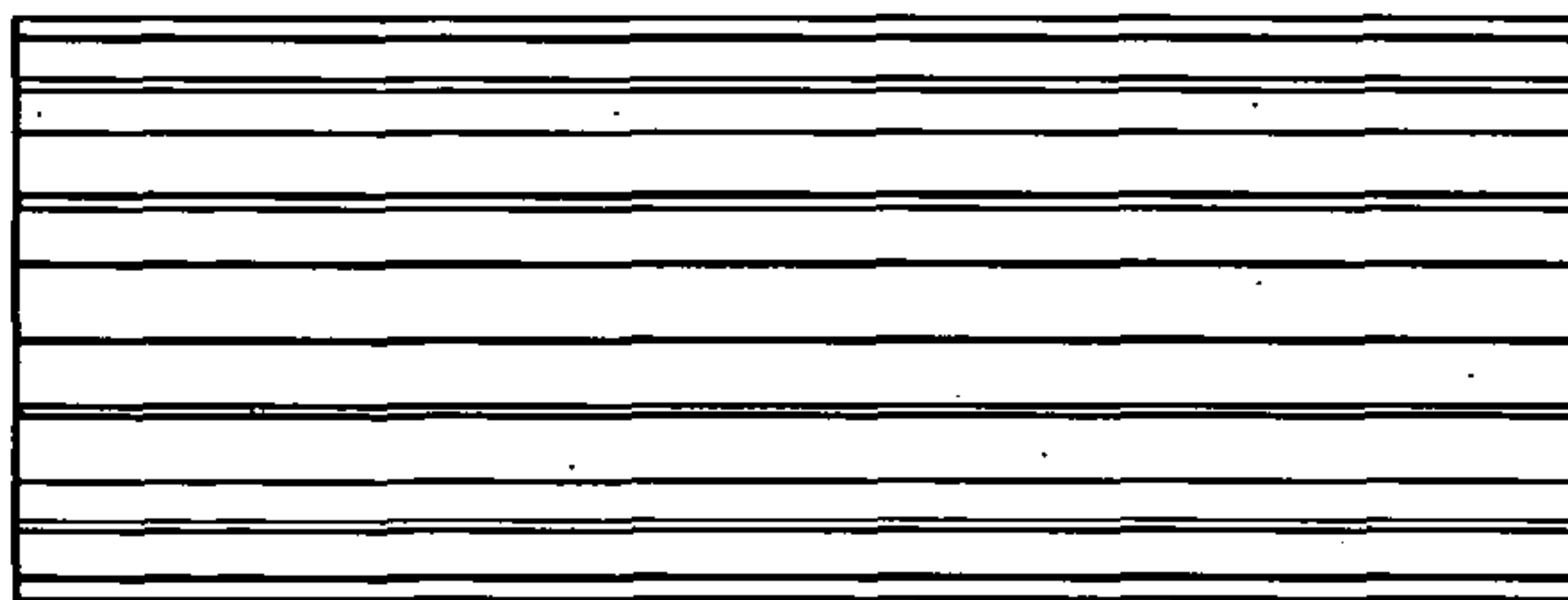


FIG. 5

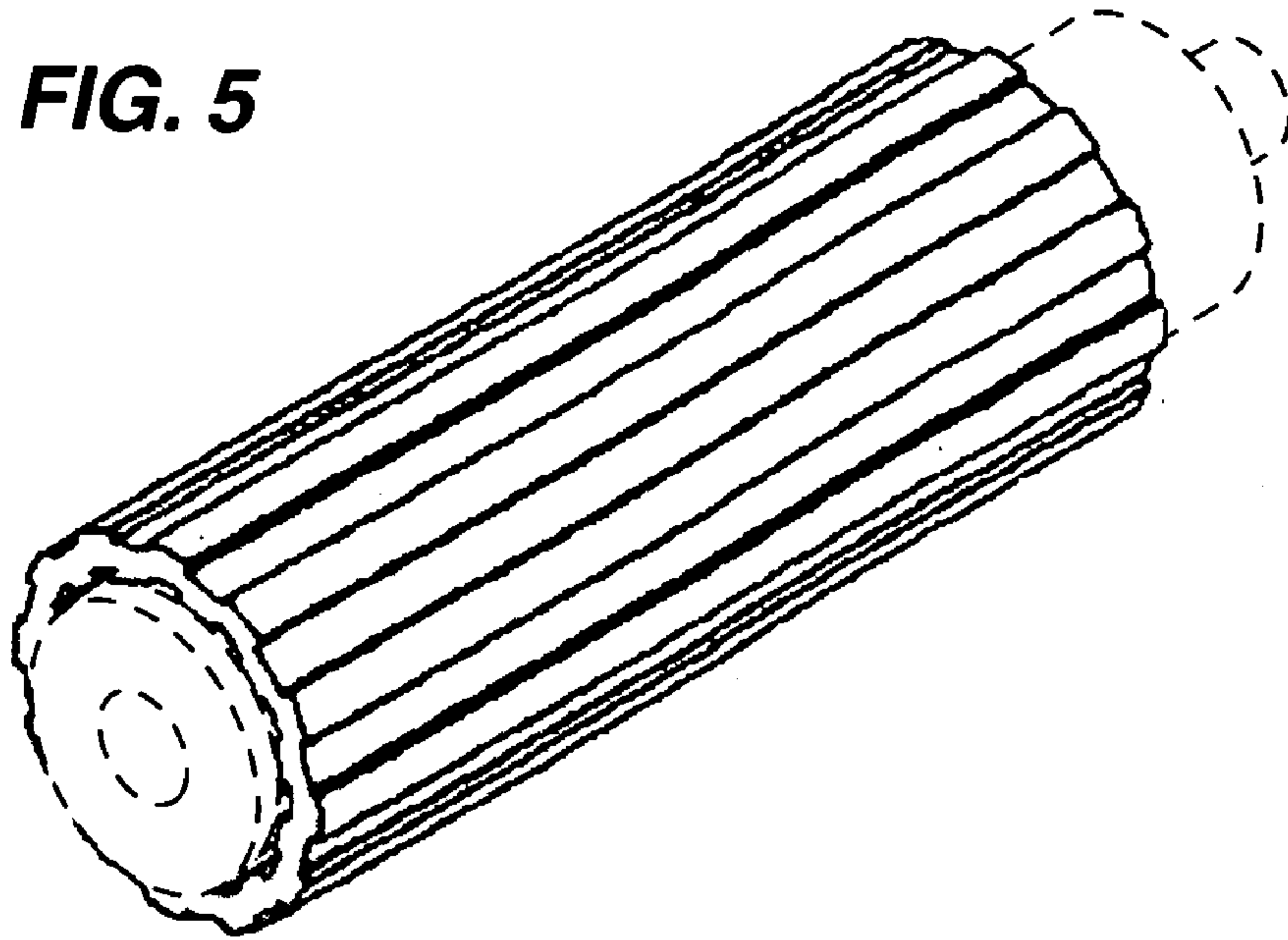


FIG. 6

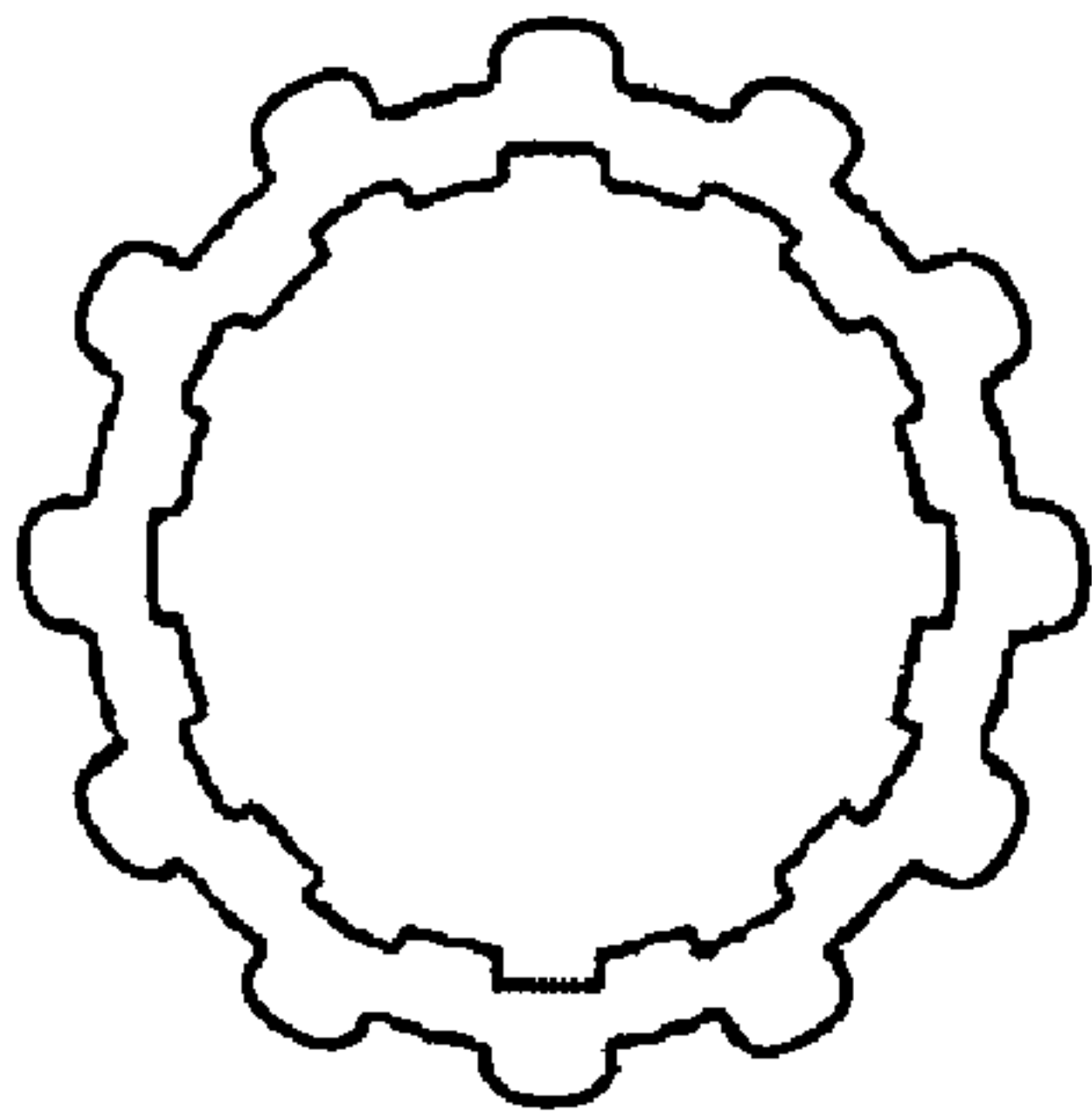


FIG. 7

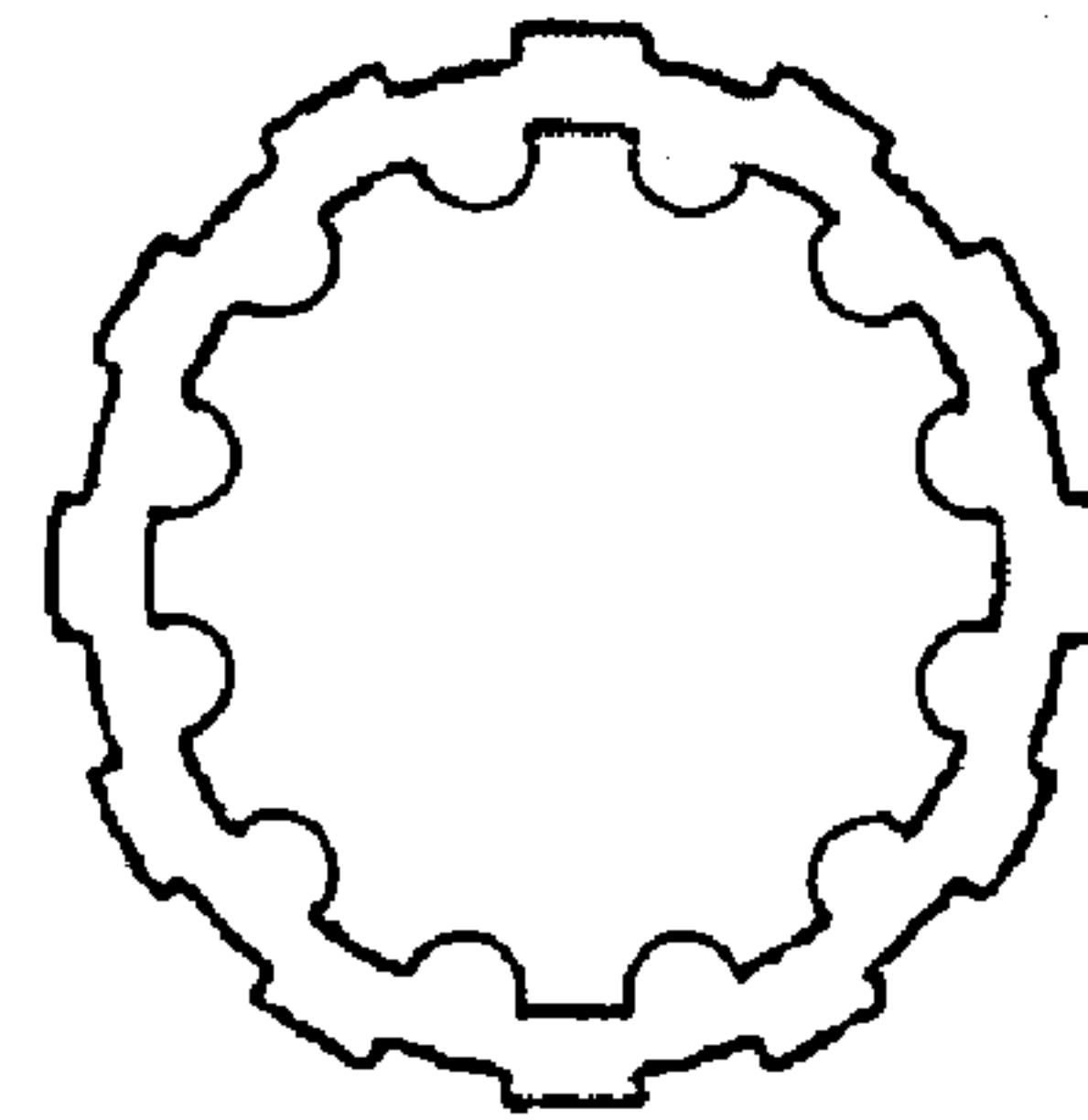


FIG. 8

