



US00D632748S

(12) **United States Design Patent**  
**Serrano et al.**

(10) **Patent No.:** **US D632,748 S**

(45) **Date of Patent:** **\*\* Feb. 15, 2011**

(54) **ALIGNMENT AID FOR A GOLF CLUB HEAD**

(75) Inventors: **Anthony D. Serrano**, Anthem, AZ (US);  
**Xiaojian Chen**, Phoenix, AZ (US)

(73) Assignee: **Karsten Manufacturing Corporation**,  
Phoenix, AZ (US)

(\*\*) Term: **14 Years**

(21) Appl. No.: **29/360,608**

(22) Filed: **Apr. 28, 2010**

(51) **LOC (9) Cl.** ..... **21-02**

(52) **U.S. Cl.** ..... **D21/759**

(58) **Field of Classification Search** ..... D21/736–746,  
D21/759; 473/324–331, 340–341, 251–256  
See application file for complete search history.

(56) **References Cited**

U.S. PATENT DOCUMENTS

D316,129 S	4/1991	Bryson	
D486,540 S	2/2004	Bettinardi	
D486,541 S	2/2004	Bettinardi	
D488,200 S	4/2004	Olsavsky et al.	
D502,236 S	2/2005	Grace	
D513,776 S	1/2006	Grace	
7,052,411 B2	5/2006	Solheim et al.	
D523,915 S *	6/2006	Bergstrom	..... D21/742
7,077,758 B2	7/2006	Rohrer	
D527,777 S	9/2006	Solheim et al.	
D528,177 S	9/2006	Grace	
D528,616 S	9/2006	Grace	
D529,108 S	9/2006	Stites et al.	
D548,295 S	8/2007	Jertson et al.	
7,255,650 B2	8/2007	Braynt et al.	
D552,197 S	10/2007	Wells et al.	
D587,325 S	2/2009	Solheim et al.	
D621,460 S *	8/2010	Serrano et al.	..... D21/742

D621,461 S *	8/2010	Serrano et al.	..... D21/742
D621,462 S *	8/2010	Serrano et al.	..... D21/742
D621,891 S *	8/2010	Serrano et al.	..... D21/742
2006/0094533 A1	5/2006	Warren et al.	
2006/0166755 A1	7/2006	Brown	
2007/0191135 A1	8/2007	Nilsson et al.	

OTHER PUBLICATIONS

Stina Sternberg and Ashley Mayo, “2008 Spring Equipment Preview,” *Golf for Women*, May-Jun. 2008 at 114.

Stina Sternberg, “Hot List 2008—Putters,” *Golf Digest*, Feb. 2008 at 158-169, also available at <http://www.golfdigest.com/equipment/ratings>.

John A. Solheim, et al., “Golf Club Head with Three-Dimensional Alignment Aid and Method of Manufacture,” U.S. Appl. No. 12/164,956, filed Jun. 30, 2008.

John A. Solheim et al., “Golf Club Head with a Three-Dimensional Alignment Member and Methods to Manufacture Golf Club Heads,” U.S. Appl. No. 12/425,637, filed Apr. 17, 2009.

John A. Solheim et al., “Golf Club Head with a Three-Dimensional Alignment Member and Methods to Manufacture Golf Club Heads,” U.S. Appl. No. 12/542,375, filed Aug. 17, 2009.

\* cited by examiner

*Primary Examiner*—Mitchell I Siegel

(57) **CLAIM**

The ornamental design for an alignment aid for a golf club head, as shown and described.

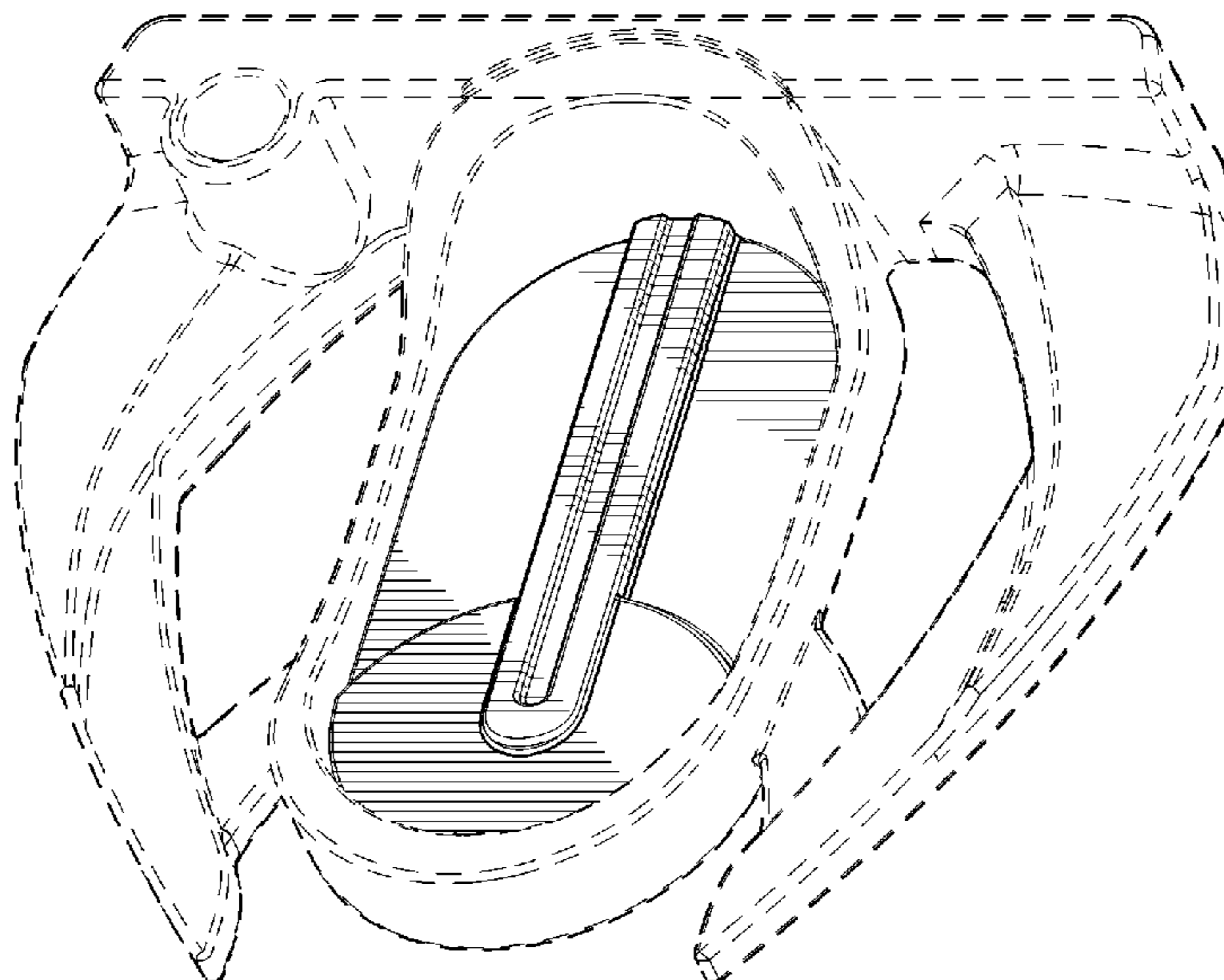
**DESCRIPTION**

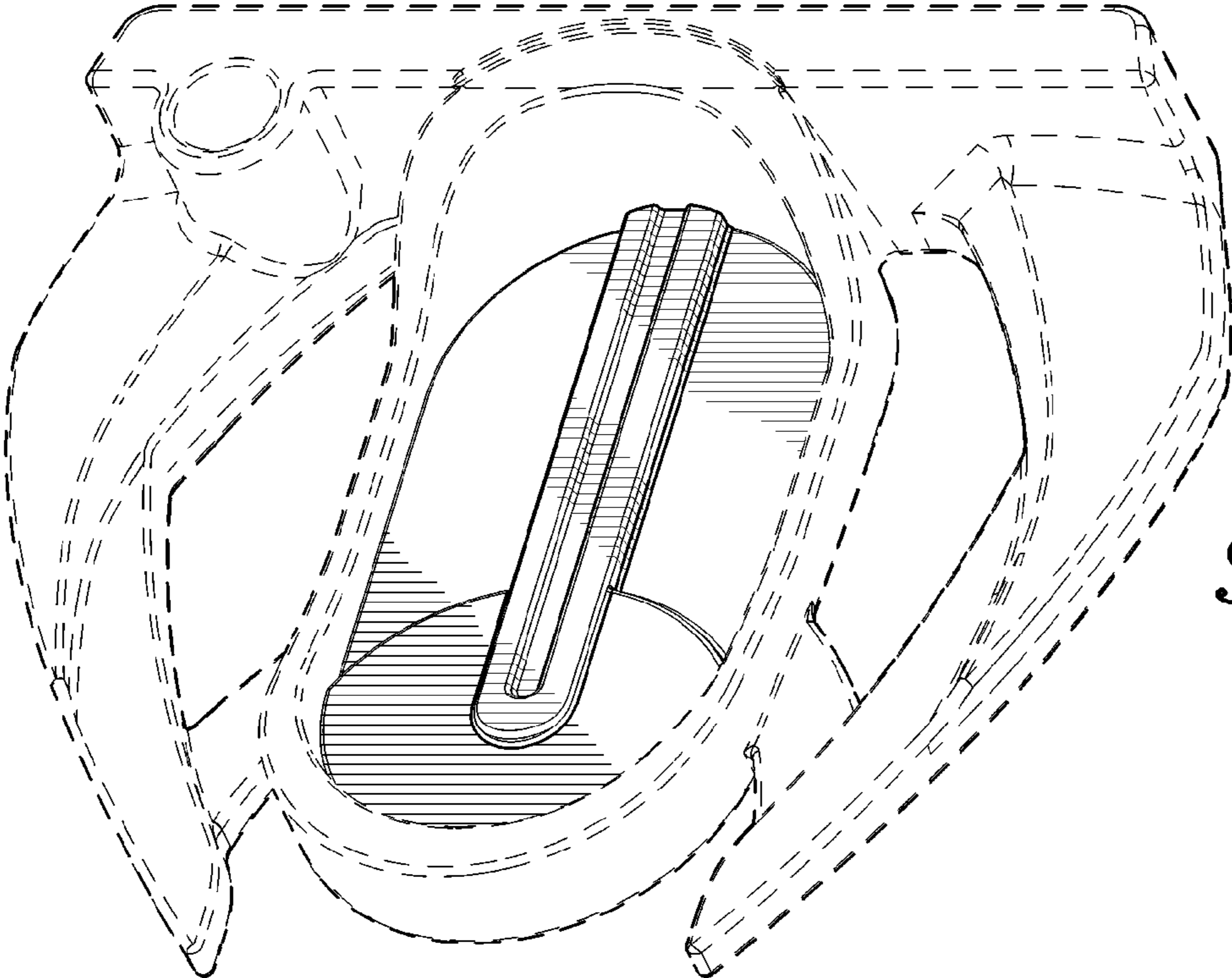
FIG. 1 is a top perspective view of an alignment aid for a golf club head; and,

FIG. 2 is a top view of the alignment aid of FIG. 1.

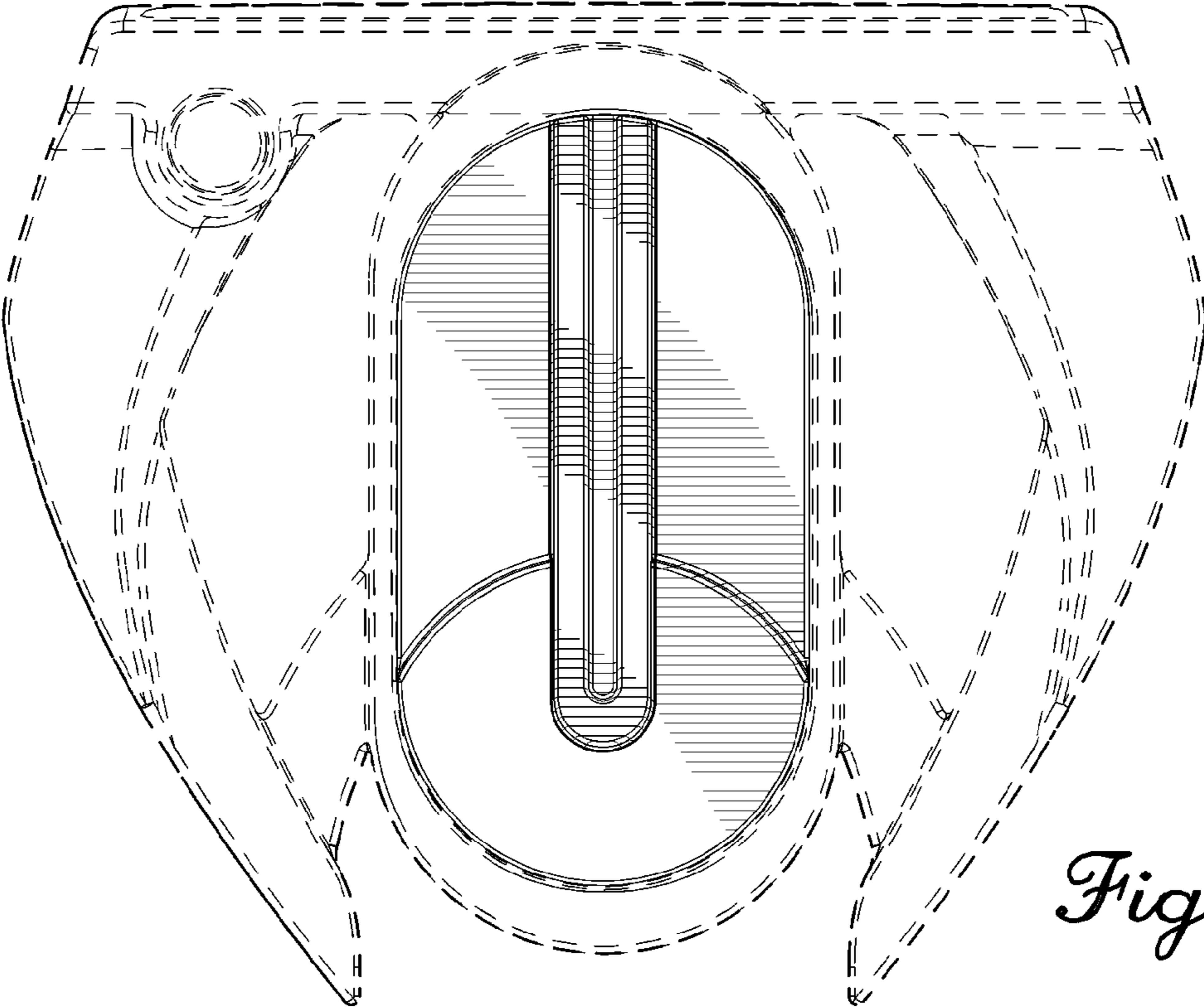
The broken lines shown in one or more of the figures are for illustrative purposes only and form no part of the claimed design.

**1 Claim, 1 Drawing Sheet**





*Fig. 1*



*Fig. 2*