



US00D632747S

(12) **United States Design Patent**
Jeffres

(10) **Patent No.:** **US D632,747 S**
(45) **Date of Patent:** **** Feb. 15, 2011**

(54) **GOLF PUTTER**

(75) Inventor: **Daniel C. Jeffres**, Wyoming, NY (US)

(73) Assignee: **D&M Precision, LLC**, Wyoming, NY (US)

(**) Term: **14 Years**

(21) Appl. No.: **29/359,072**

(22) Filed: **Apr. 5, 2010**

(51) **LOC (9) Cl.** **21-02**

(52) **U.S. Cl.** **D21/742**

(58) **Field of Classification Search** D21/736-746;
473/324-331, 251-256, 340-341
See application file for complete search history.

(56) **References Cited**

U.S. PATENT DOCUMENTS

D182,485 S *	4/1958	Sprinkel	D21/745
D213,118 S *	1/1969	Onaka	D21/743
D388,853 S *	1/1998	Minami	D21/745
D550,795 S *	9/2007	Tateno	D21/744
D560,736 S *	1/2008	Tateno	D21/744
D593,171 S *	5/2009	Stellander	D21/736
D620,993 S *	8/2010	Laub	D21/746

* cited by examiner

Primary Examiner—Mitchell I Siegel

(74) *Attorney, Agent, or Firm*—Patent Innovations LLC; John M. Hammond

(57) **CLAIM**

The ornamental design for a golf putter, as shown and described.

DESCRIPTION

FIG. 1 is a perspective view of the top, front and left side of the golf putter;

FIG. 2 is a front elevation view of the golf putter;

FIG. 3 is a right side elevation view of the golf putter;

FIG. 4 is a rear elevation view of the golf putter;

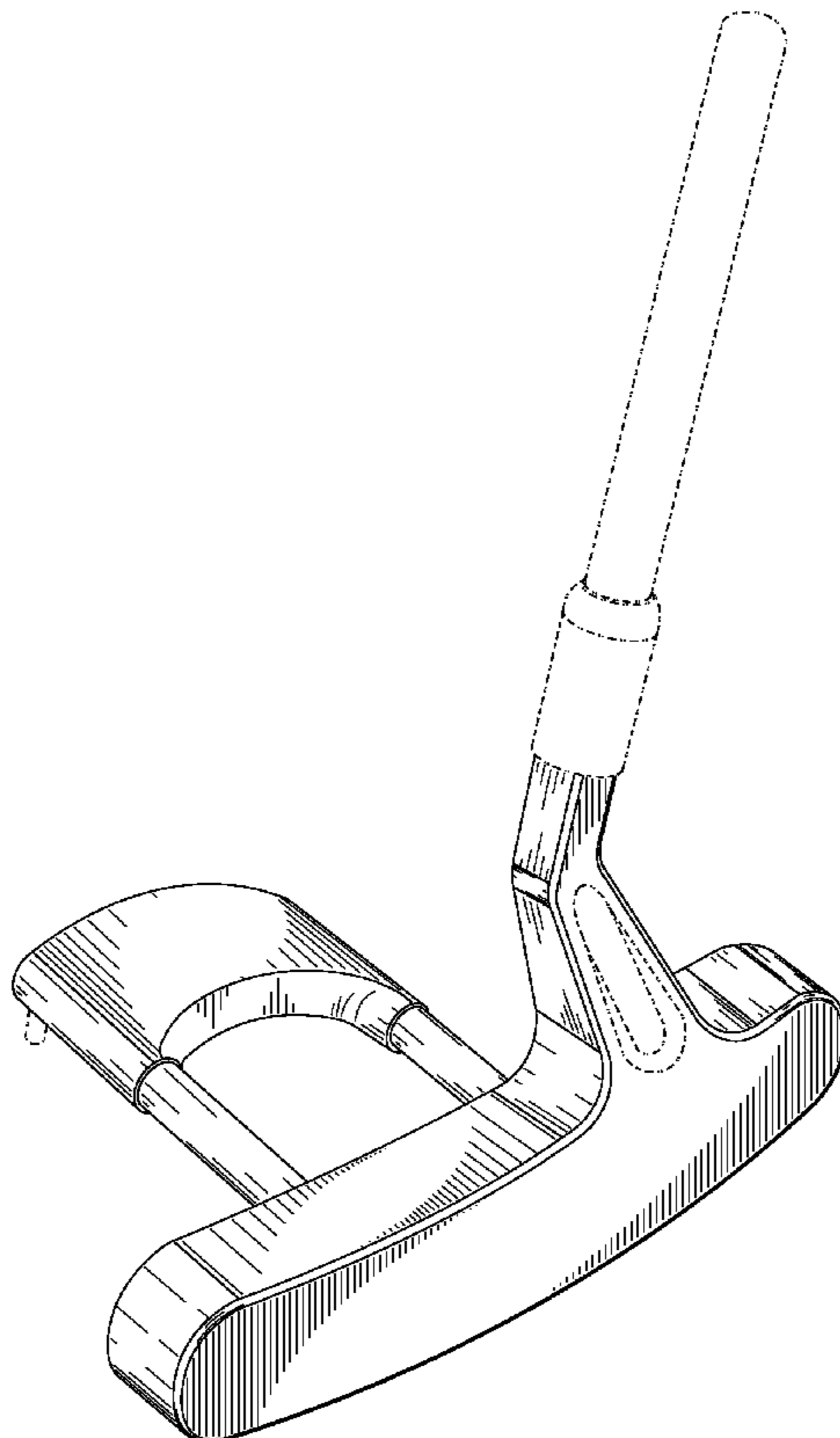
FIG. 5 is a left side elevation view of the golf putter;

FIG. 6 is a top plan view of the golf putter; and,

FIG. 7 is a bottom view of the golf putter.

Any broken line illustration of environmental structure in the drawings is for illustrative purposes only, and forms no part of the claimed design.

1 Claim, 7 Drawing Sheets



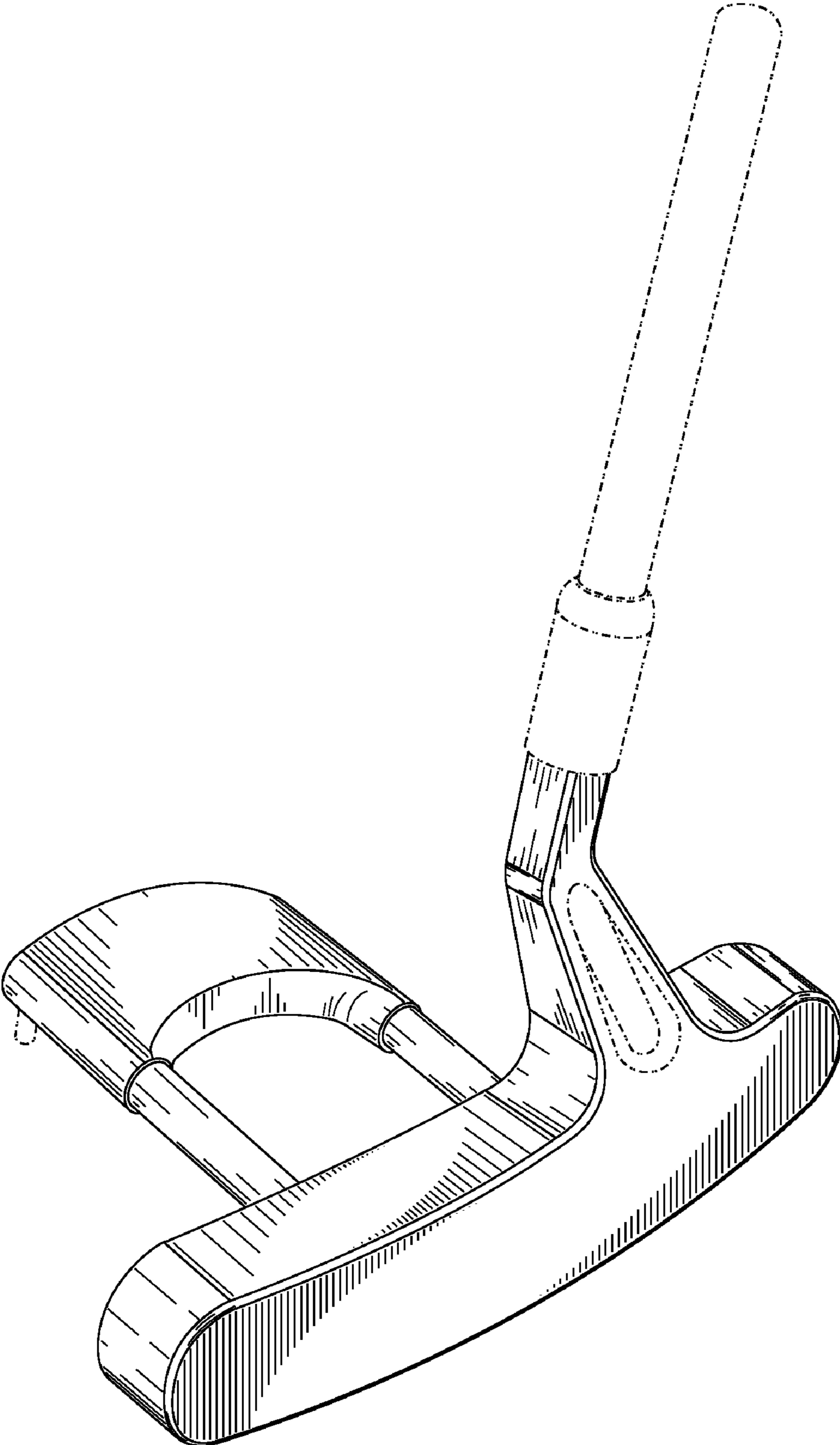


FIG. 1

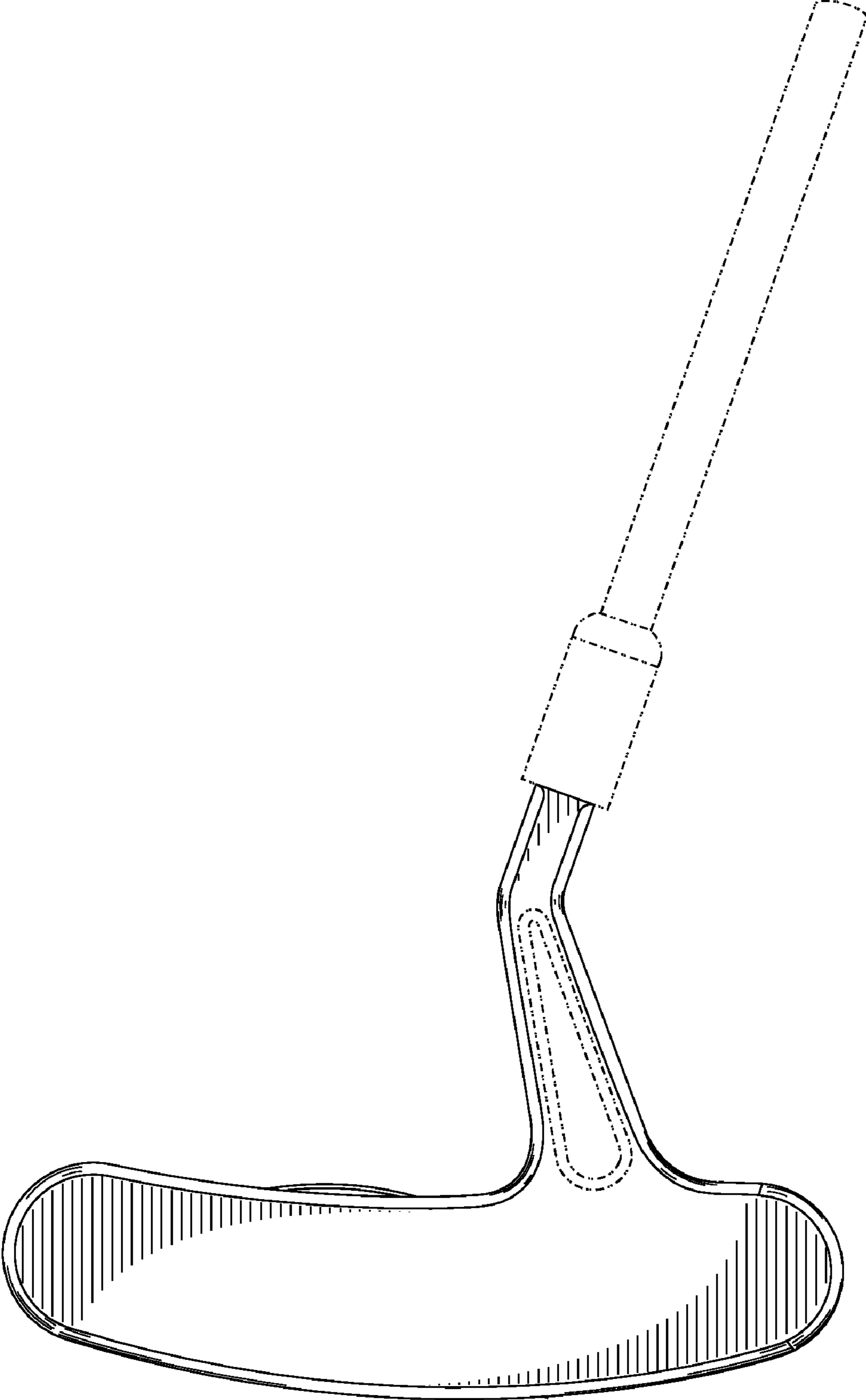


FIG. 2

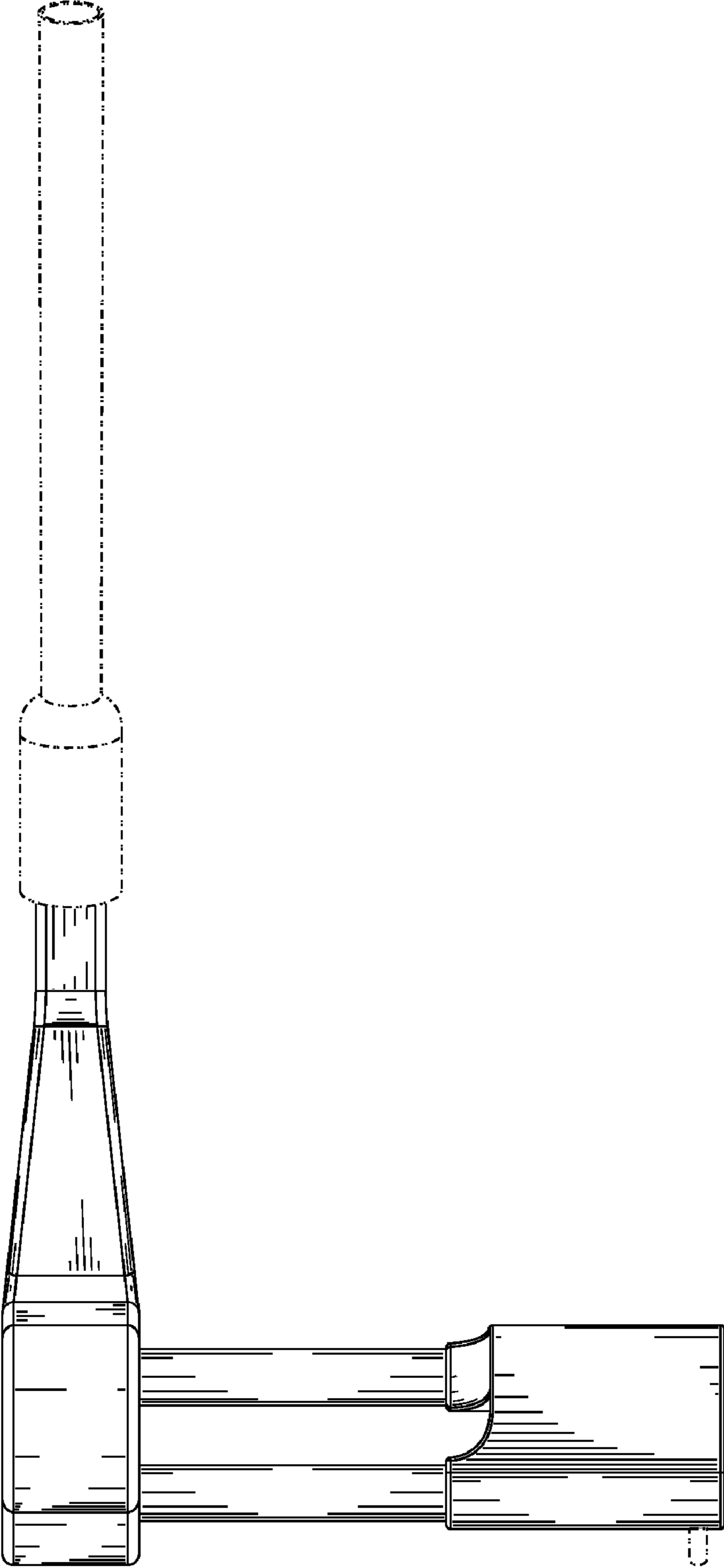


FIG. 3

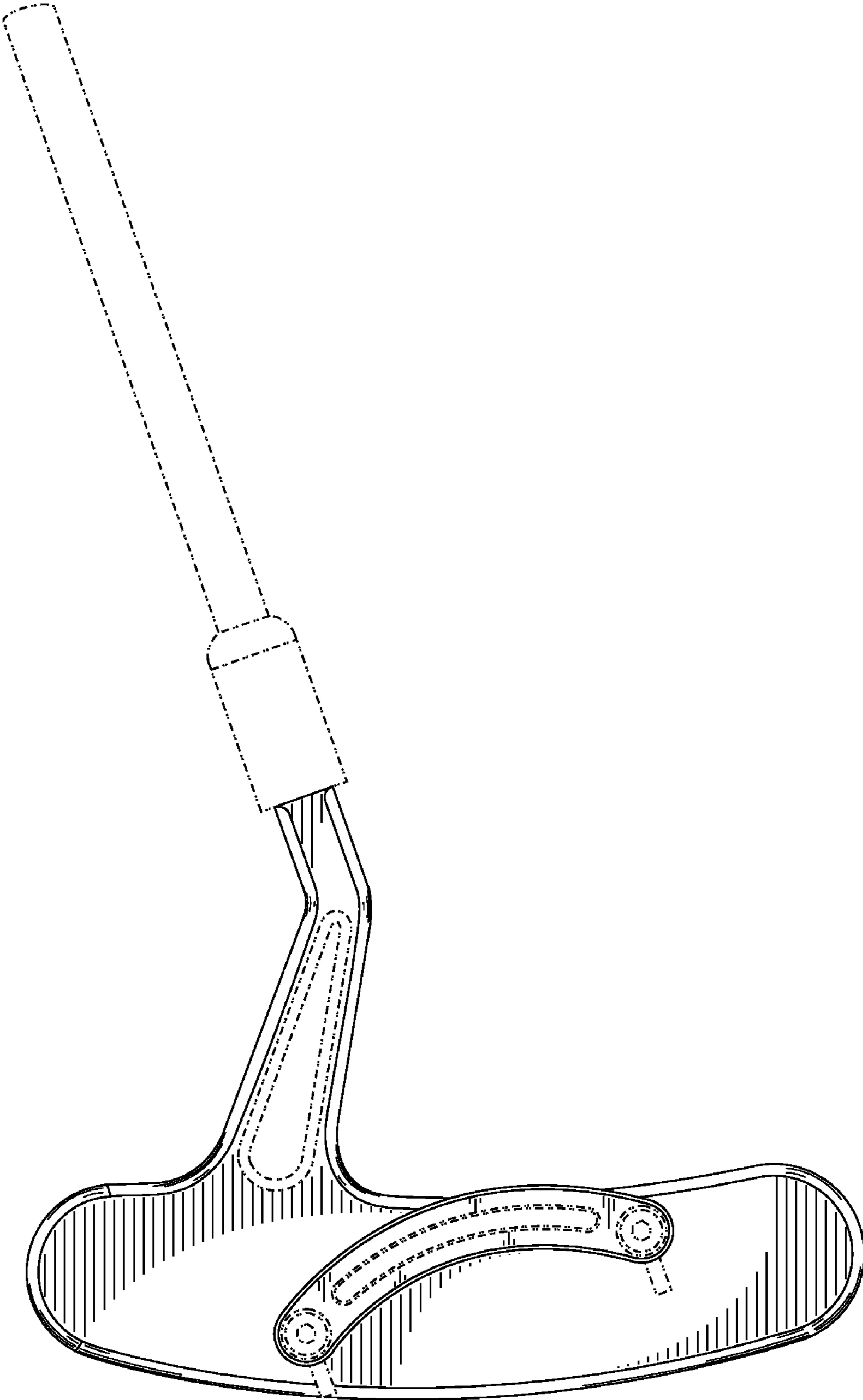


FIG. 4

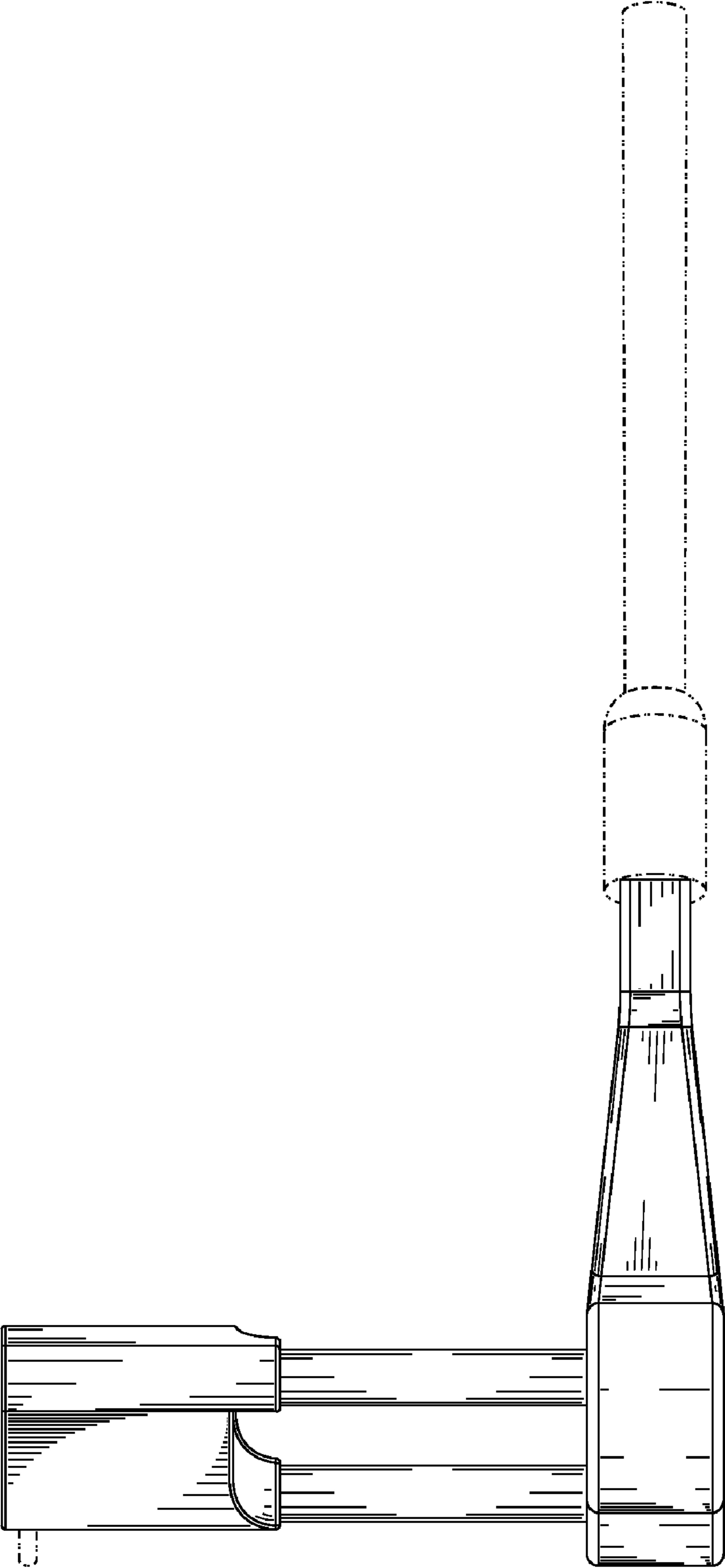


FIG. 5

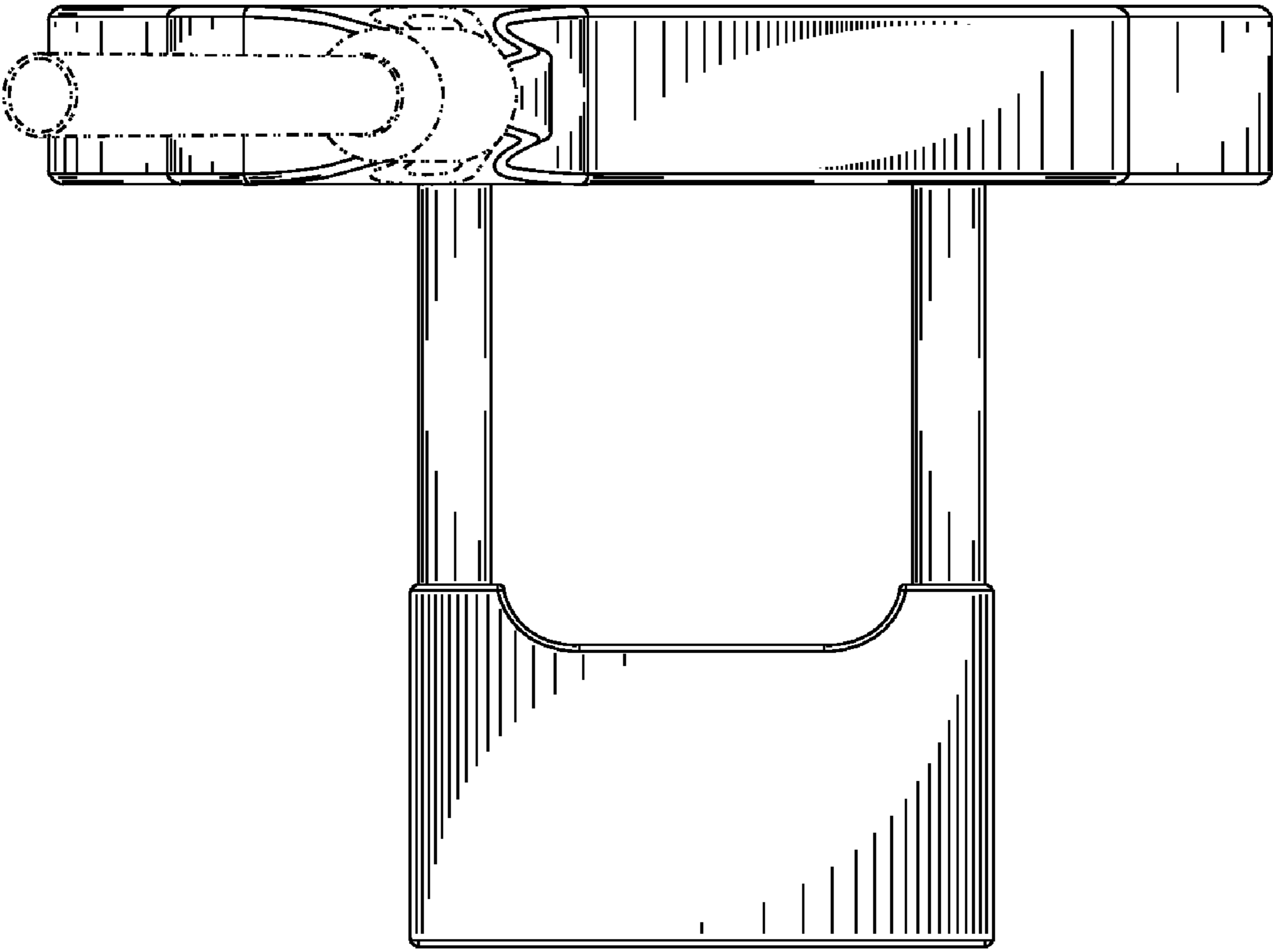


FIG. 6

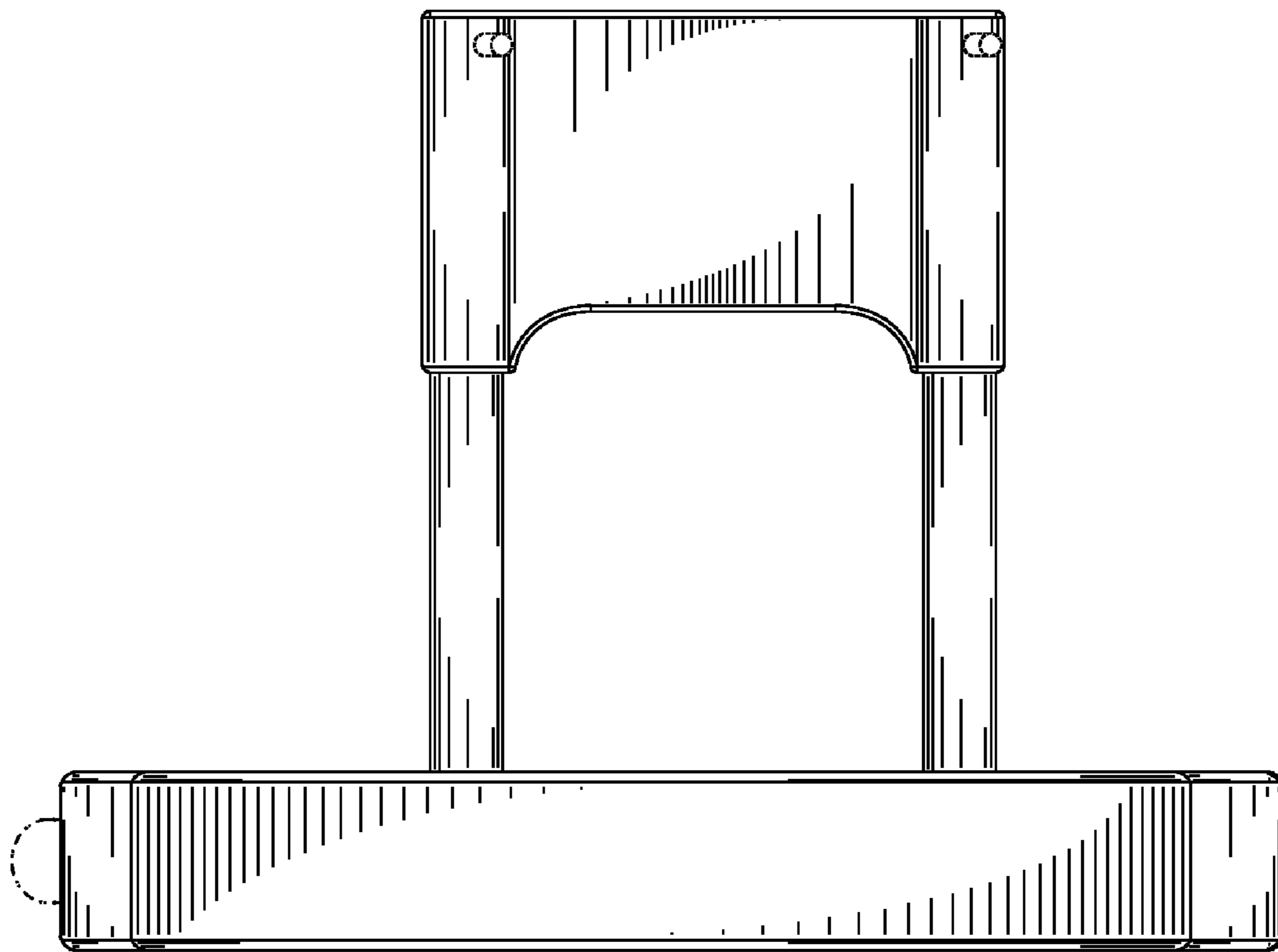


FIG. 7