



US00D632746S

(12) **United States Design Patent**
Wu

(10) **Patent No.:** **US D632,746 S**
(45) **Date of Patent:** **** Feb. 15, 2011**

(54) **EXERCISE MACHINE**

(75) Inventor: **Dong-Her Wu, Puyen Hsiang (TW)**

(73) Assignee: **Twinsonic Enterprise Co., Ltd., Puyen Hsiang (TW)**

(**) Term: **14 Years**

(21) Appl. No.: **29/363,693**

(22) Filed: **Jun. 13, 2010**

(51) **LOC (9) Cl.** **21-02**

(52) **U.S. Cl.** **D21/676; D21/674**

(58) **Field of Classification Search** D21/662,
D21/668, 673, 674, 676; 482/72-73, 111-112,
482/127, 138, 140, 142

See application file for complete search history.

(56) **References Cited**

U.S. PATENT DOCUMENTS

4,284,272	A	*	8/1981	Evans et al.	482/72
D277,304	S	*	1/1985	Smith et al.	D21/674
D287,389	S	*	12/1986	Nadeau	D21/674
D288,951	S	*	3/1987	Kiiski	D21/674
D289,539	S	*	4/1987	Brentham	D21/674
D291,823	S	*	9/1987	Smith et al.	D21/674
4,705,268	A	*	11/1987	Nadeau	482/72
D297,853	S	*	9/1988	Ostrom	D21/674
D306,750	S	*	3/1990	Kiiski	D21/674
5,013,033	A	*	5/1991	Watterson et al.	482/72
D324,709	S	*	3/1992	Lehtonen	D21/674
5,122,105	A	*	6/1992	Engel et al.	482/72
D337,799	S	*	7/1993	Cutter et al.	D21/674

D352,534	S	*	11/1994	Dreibelbis et al.	D21/674
D362,283	S	*	9/1995	Lee	D21/674
D383,814	S	*	9/1997	Ward	D21/674
D390,289	S	*	2/1998	Chen	D21/668
D425,585	S	*	5/2000	Wu	D21/676
D483,082	S	*	12/2003	Toole	D21/662
D584,367	S	*	1/2009	Augustine et al.	D21/662

* cited by examiner

Primary Examiner—Susan E Krakower

(57) **CLAIM**

The ornamental design for an exercise machine, as shown and described.

DESCRIPTION

FIG. 1 is a perspective view of an exercise machine showing my new design;

FIG. 2 is a front view of the exercise machine shown in FIG. 1;

FIG. 3 is a rear view of the exercise machine shown in FIG. 1;

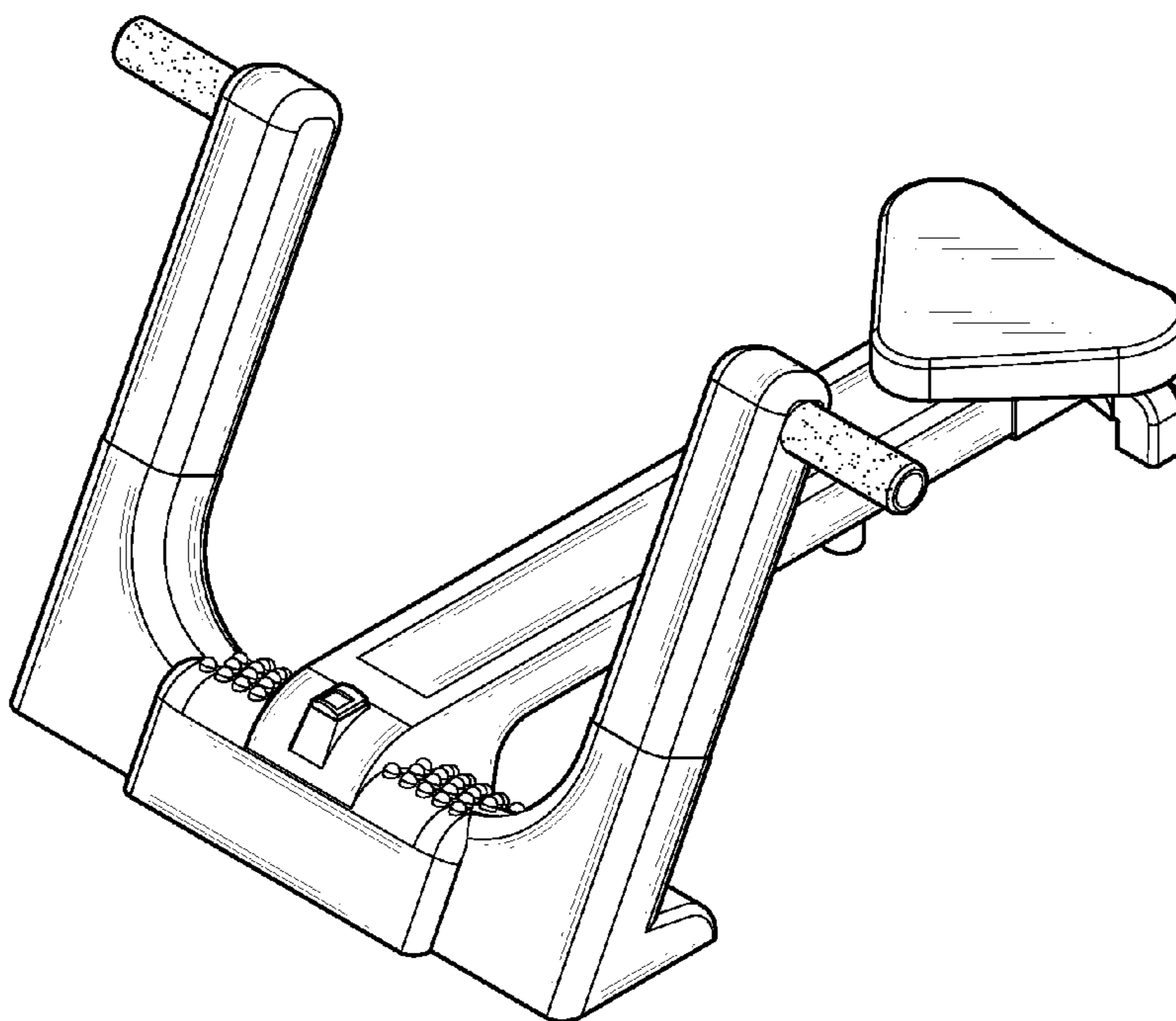
FIG. 4 is a left side view of the exercise machine shown in FIG. 1;

FIG. 5 is a right side view of the exercise machine shown in FIG. 1;

FIG. 6 is a top view of the exercise machine shown in FIG. 1; and,

FIG. 7 is a bottom view of the exercise machine shown in FIG. 1.

1 Claim, 4 Drawing Sheets



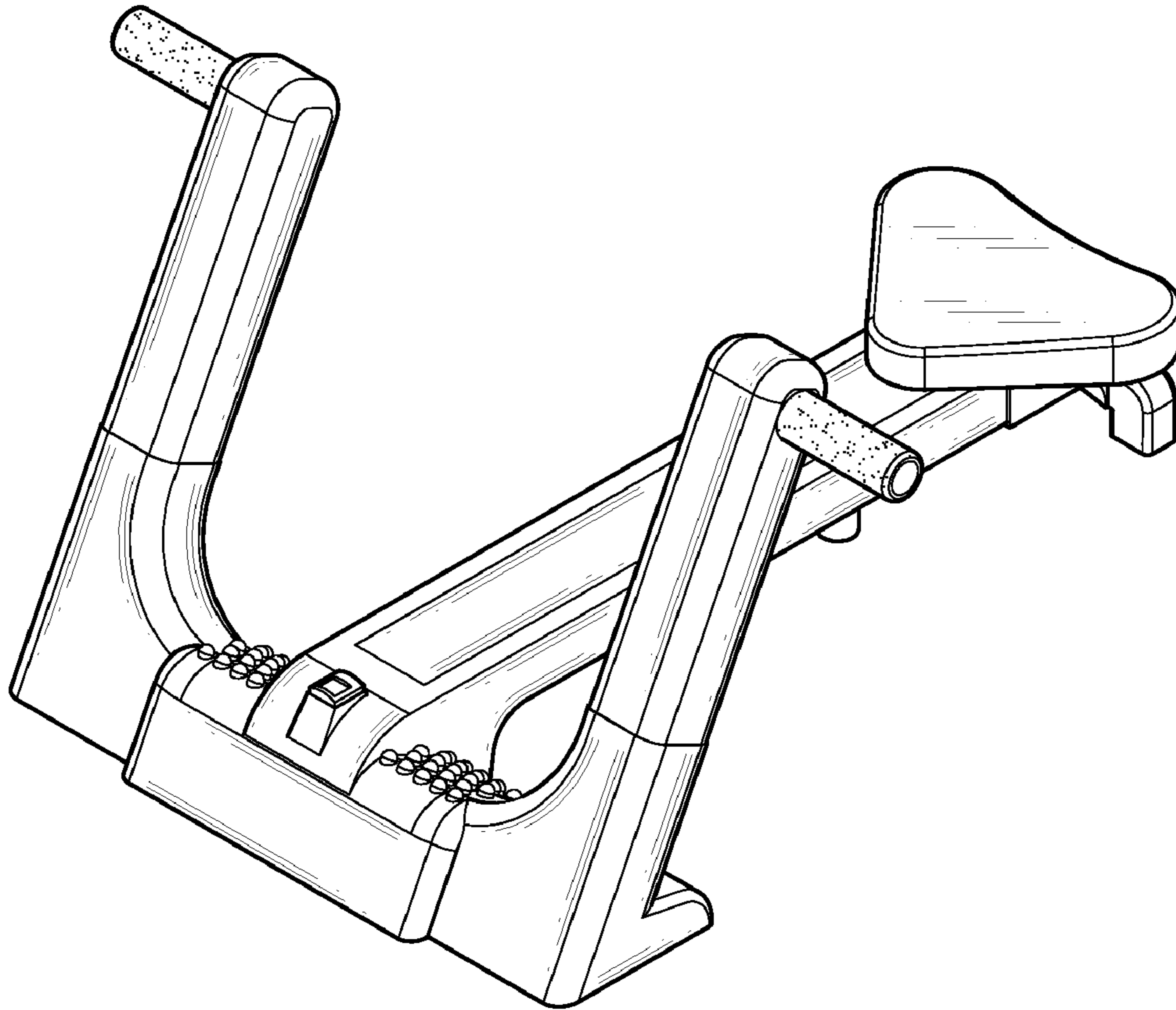


FIG. 1

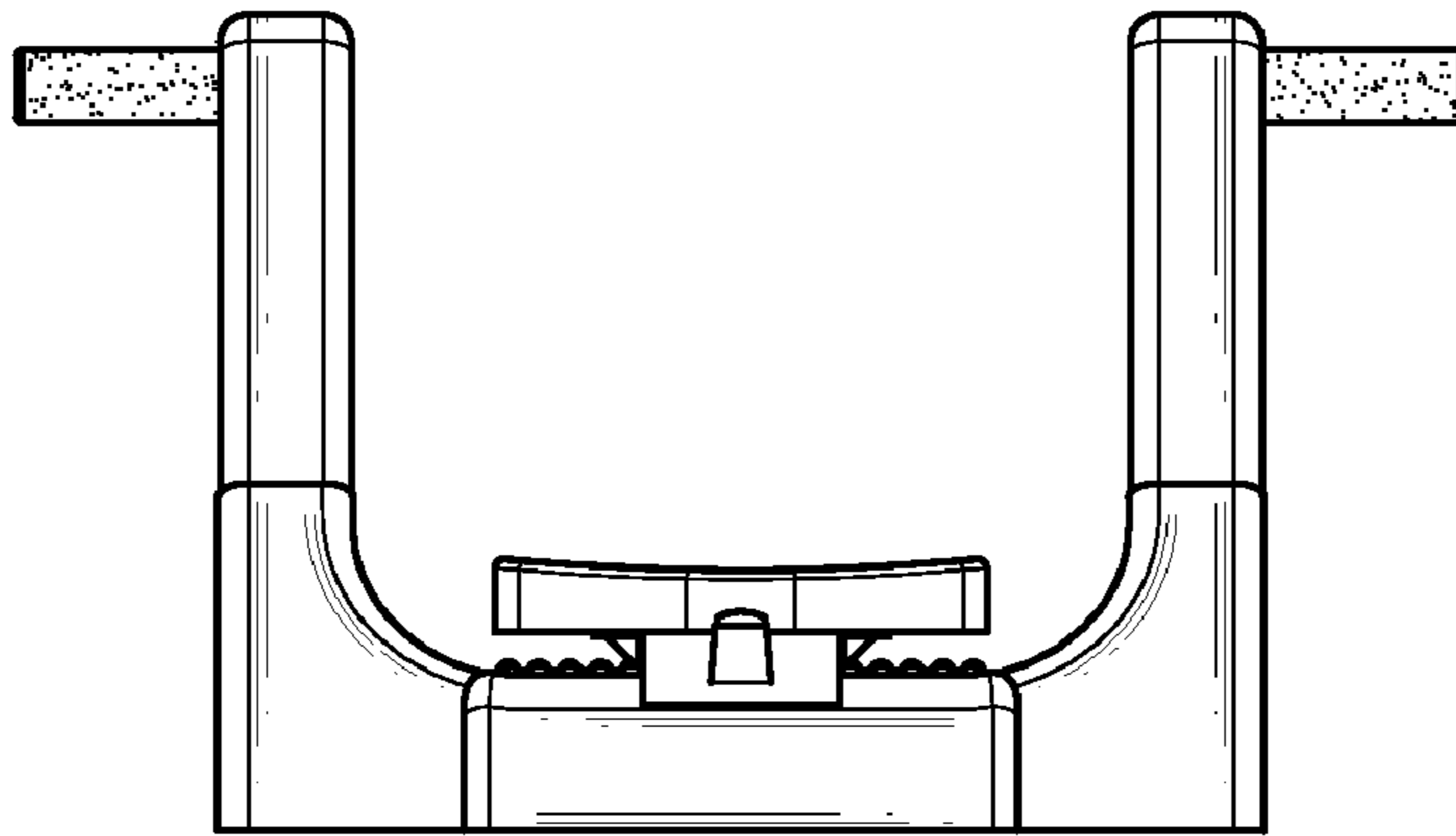


FIG. 2

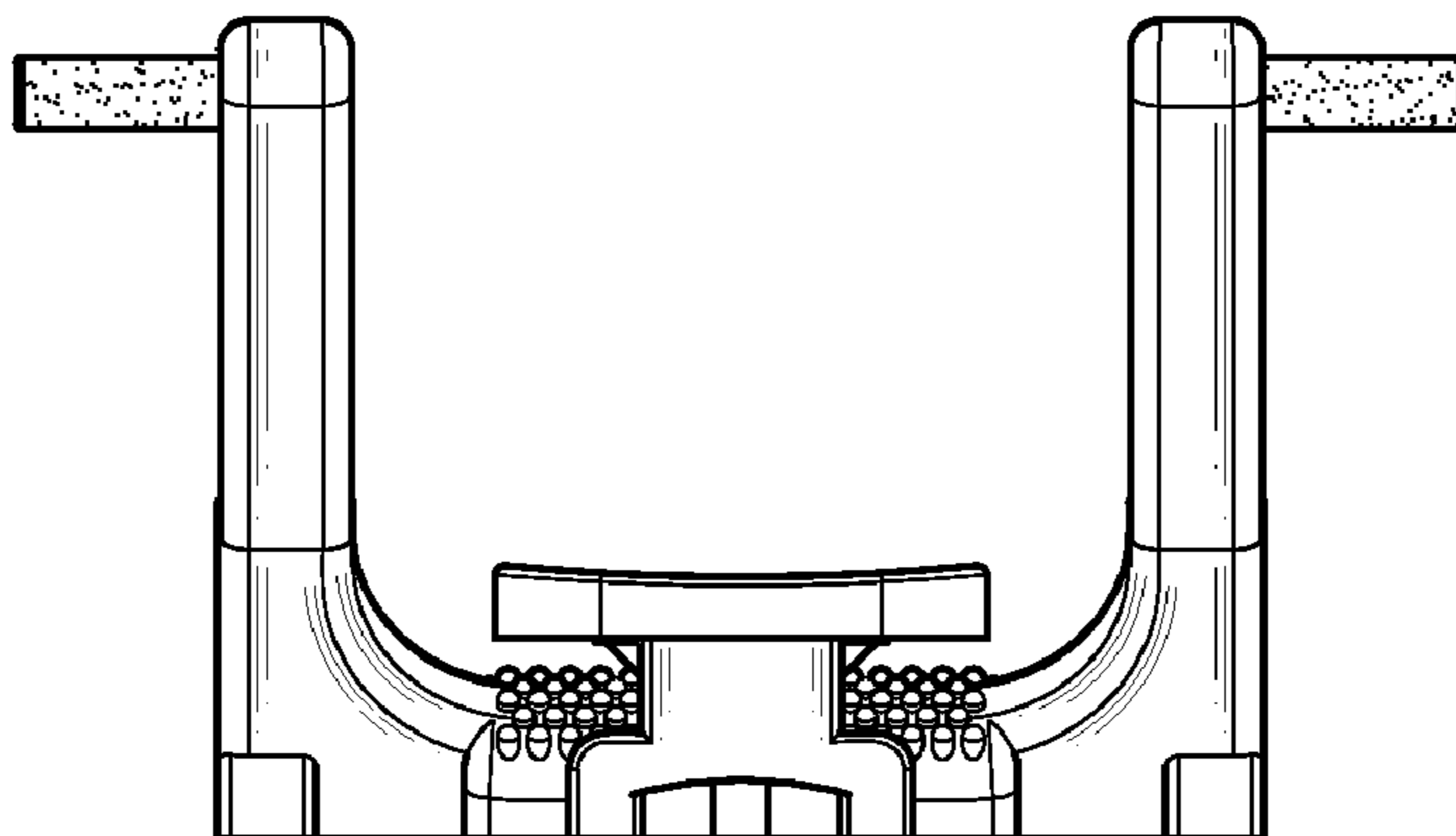


FIG. 3

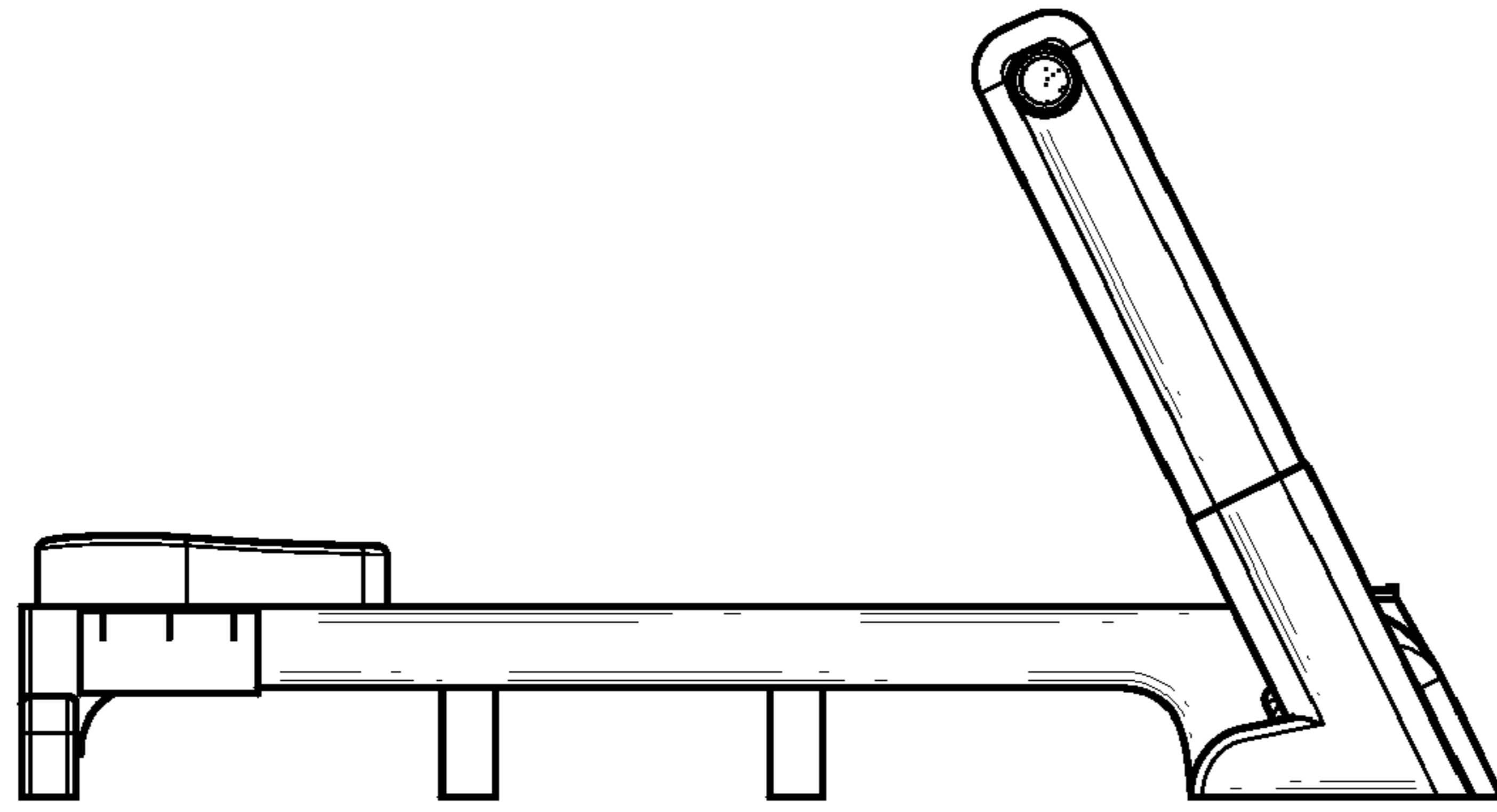


FIG. 4

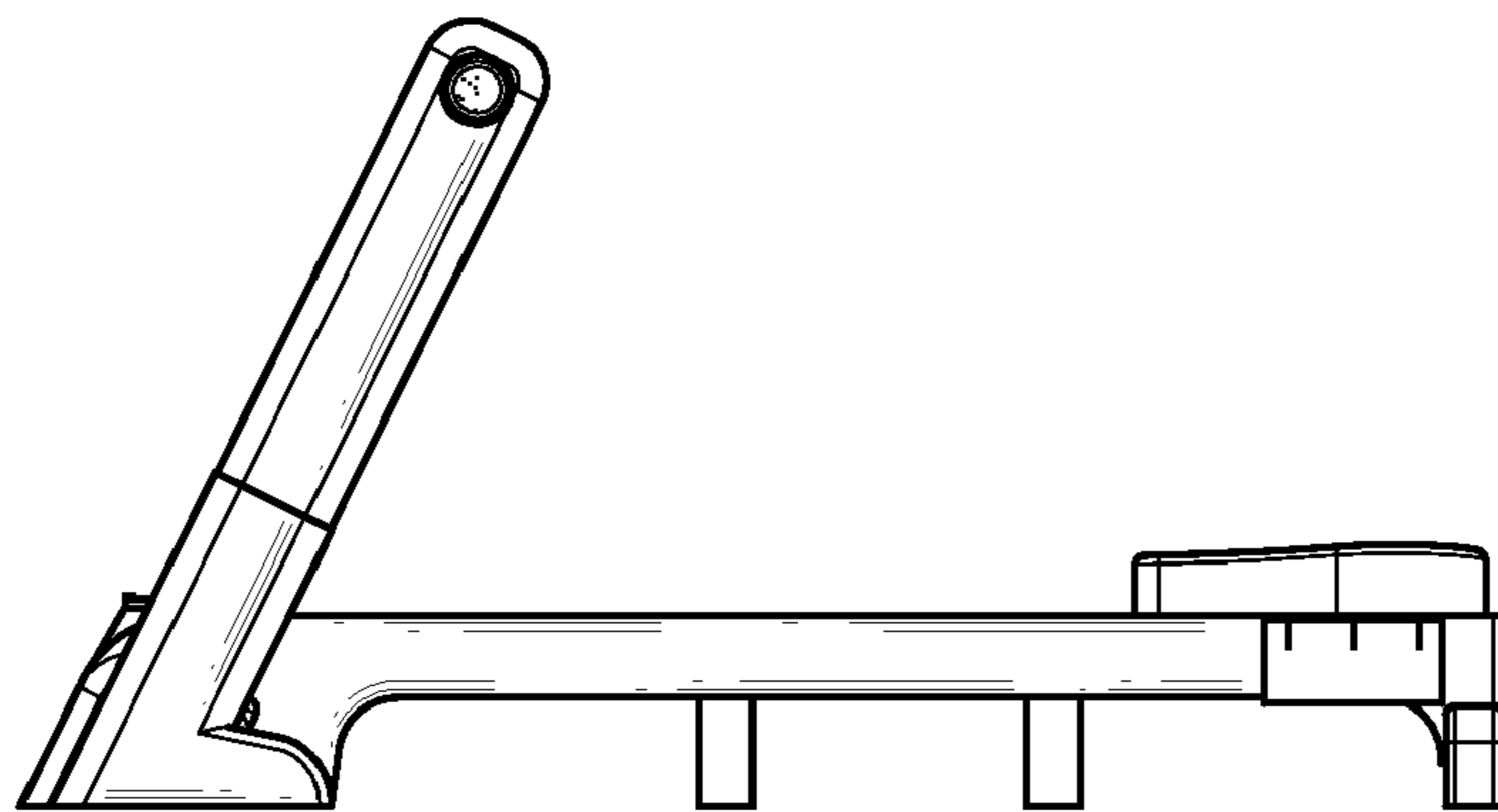


FIG. 5

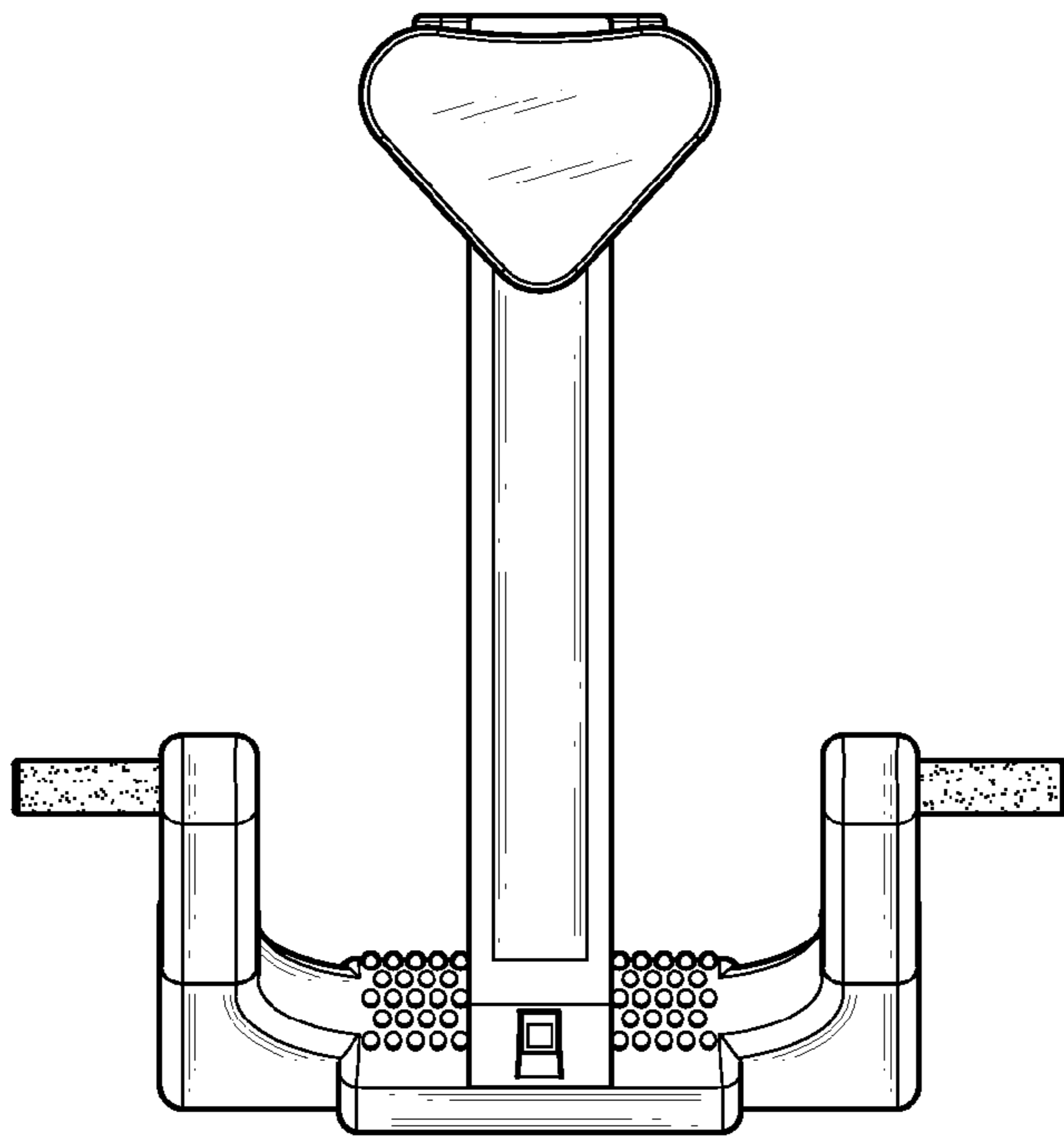


FIG. 6

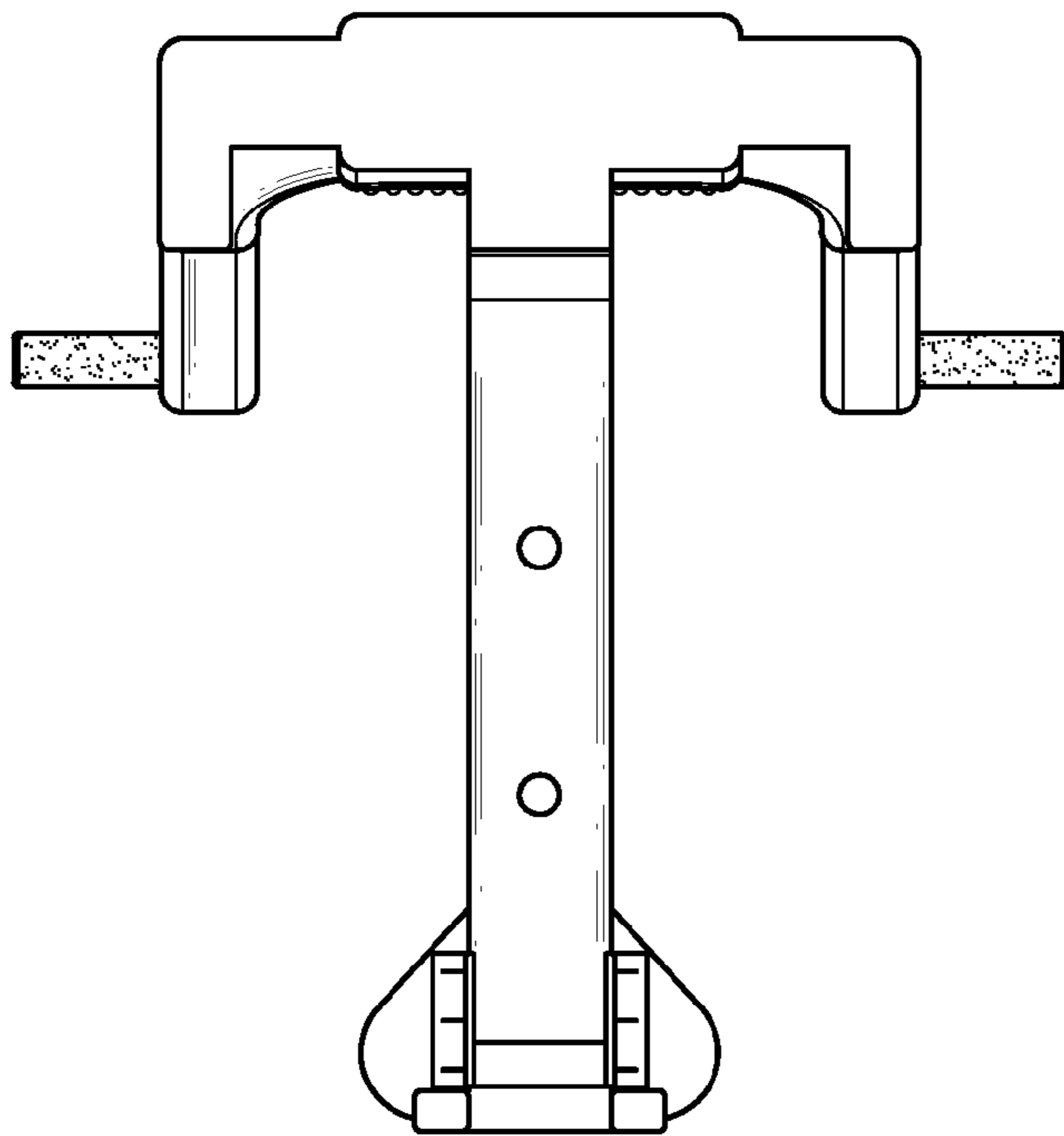


FIG. 7