



US00D632743S

(12) **United States Design Patent**
Mueller

(10) **Patent No.:** **US D632,743 S**

(45) **Date of Patent:** **** *Feb. 15, 2011**

(54) **ONE-PIECE BONE-SHAPED GAME
CONTROLLER ADAPTER**

(76) Inventor: **Dan Mueller**, 175 18th Ave., San
Francisco, CA (US) 94121

(*) Notice: This patent is subject to a terminal dis-
claimer.

(**) Term: **14 Years**

(21) Appl. No.: **29/340,950**

(22) Filed: **Jul. 28, 2009**

(51) **LOC (9) Cl.** **21-91**

(52) **U.S. Cl.** **D21/333**

(58) **Field of Classification Search** D14/218,
D14/432, 356, 358, 440, 400, 401; D21/332,
D21/333, 324, 328; 273/148 B; 463/1, 29-47;
D3/218, 301; 361/807-810; 248/689, 690,
248/309.1, 314, 346.01, 346.03, 346.06,
248/346.04; 206/320, 305

See application file for complete search history.

(56) **References Cited**

U.S. PATENT DOCUMENTS

4,876,440 A * 10/1989 Kamath et al. 219/548
5,046,739 A * 9/1991 Reichow 273/148 B
D343,262 S * 1/1994 Axelrod D30/160
D371,165 S * 6/1996 Stambolic et al. D21/329
5,685,776 A * 11/1997 Stambolic et al. 463/46
5,716,305 A * 2/1998 Selsam 482/93

6,202,598 B1 * 3/2001 Willinger 119/709
6,302,364 B1 * 10/2001 Chiueh 248/311.2
D466,511 S * 12/2002 Croley et al. D14/434
D568,882 S * 5/2008 Ashida et al. D14/400
D575,350 S * 8/2008 Ashida et al. D21/333
2009/0325717 A1 * 12/2009 Lee-Him 463/47

* cited by examiner

Primary Examiner—Prabhakar Deshmukh

(74) *Attorney, Agent, or Firm*—Procopio, Cory, Hargreaves
& Savitch LLP

(57) **CLAIM**

The ornamental design for a one-piece bone-shaped game
controller adapter, as shown and described.

DESCRIPTION

FIG. 1 is a top perspective view of a one-piece bone-shaped
controller adapter showing my new design;

FIG. 2 is another top perspective view thereof;

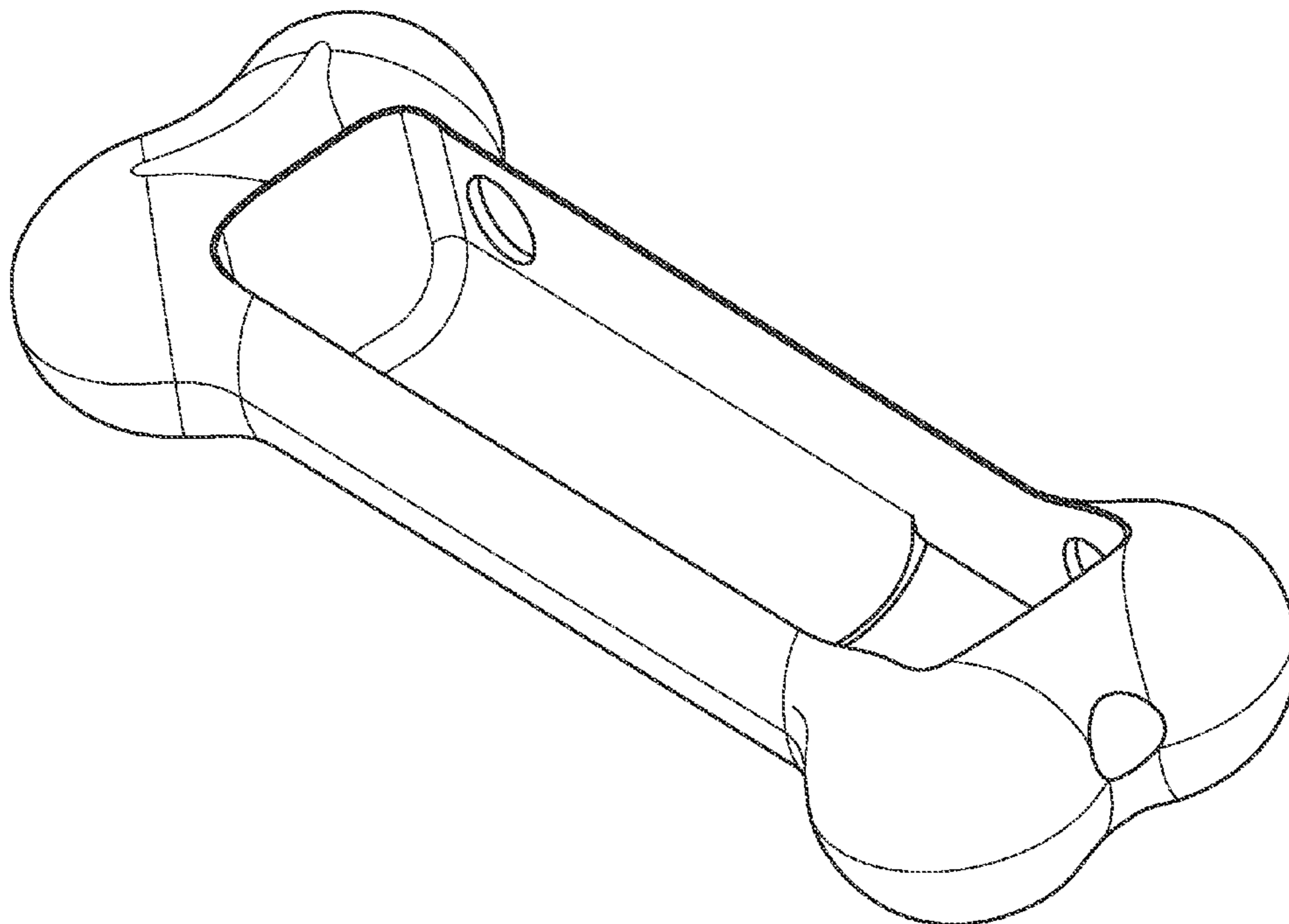
FIG. 3 is a bottom perspective view thereof;

FIG. 4 is an exploded top perspective view thereof, with
broken lines controller shown separated from the game con-
troller adapter; and,

FIG. 5 is a top perspective view thereof, in its environmental
use.

The broken lines showing of a controller as an environment is
for illustrative purpose only and forms no part of the claimed
design.

1 Claim, 3 Drawing Sheets



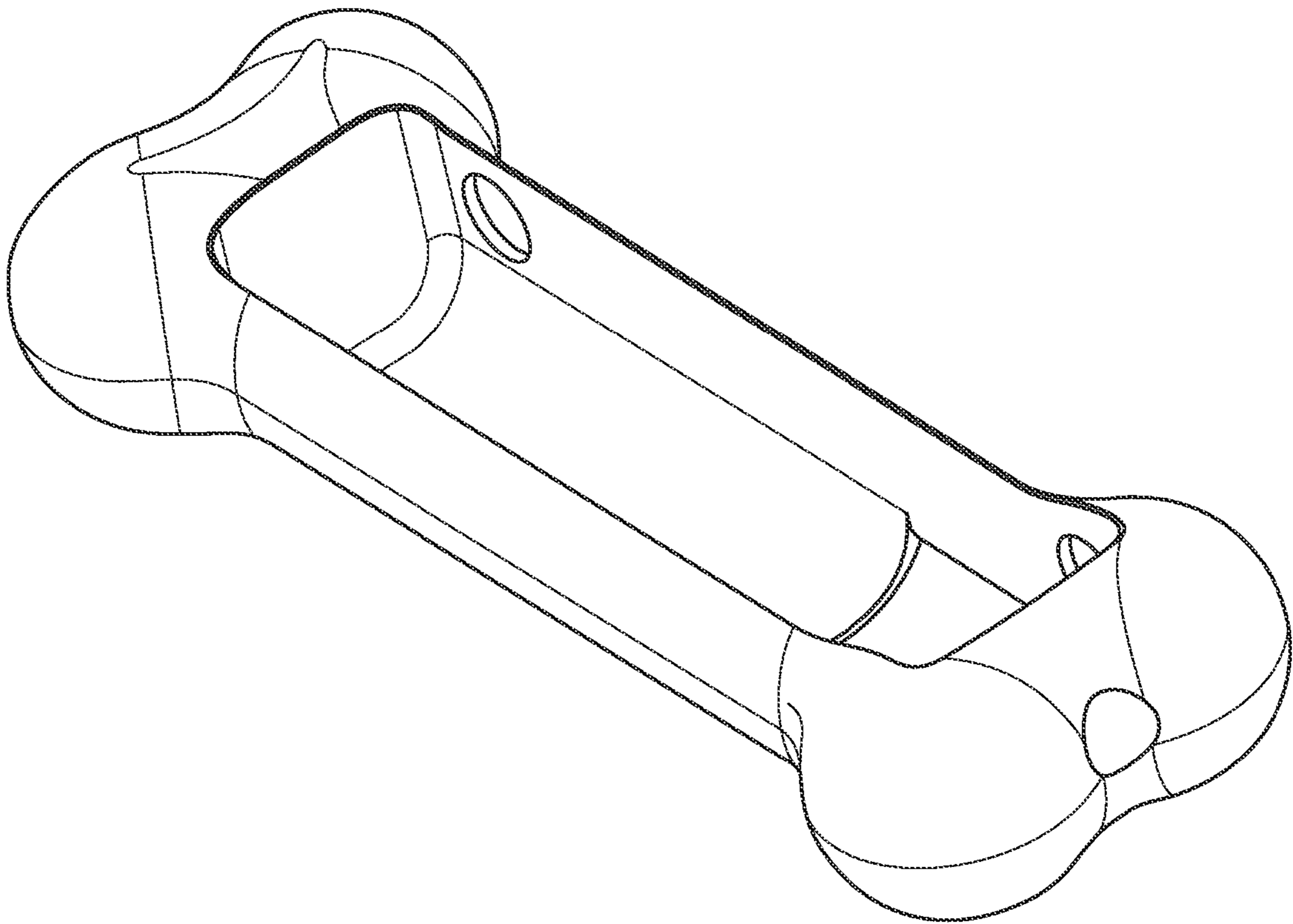


FIG. 1

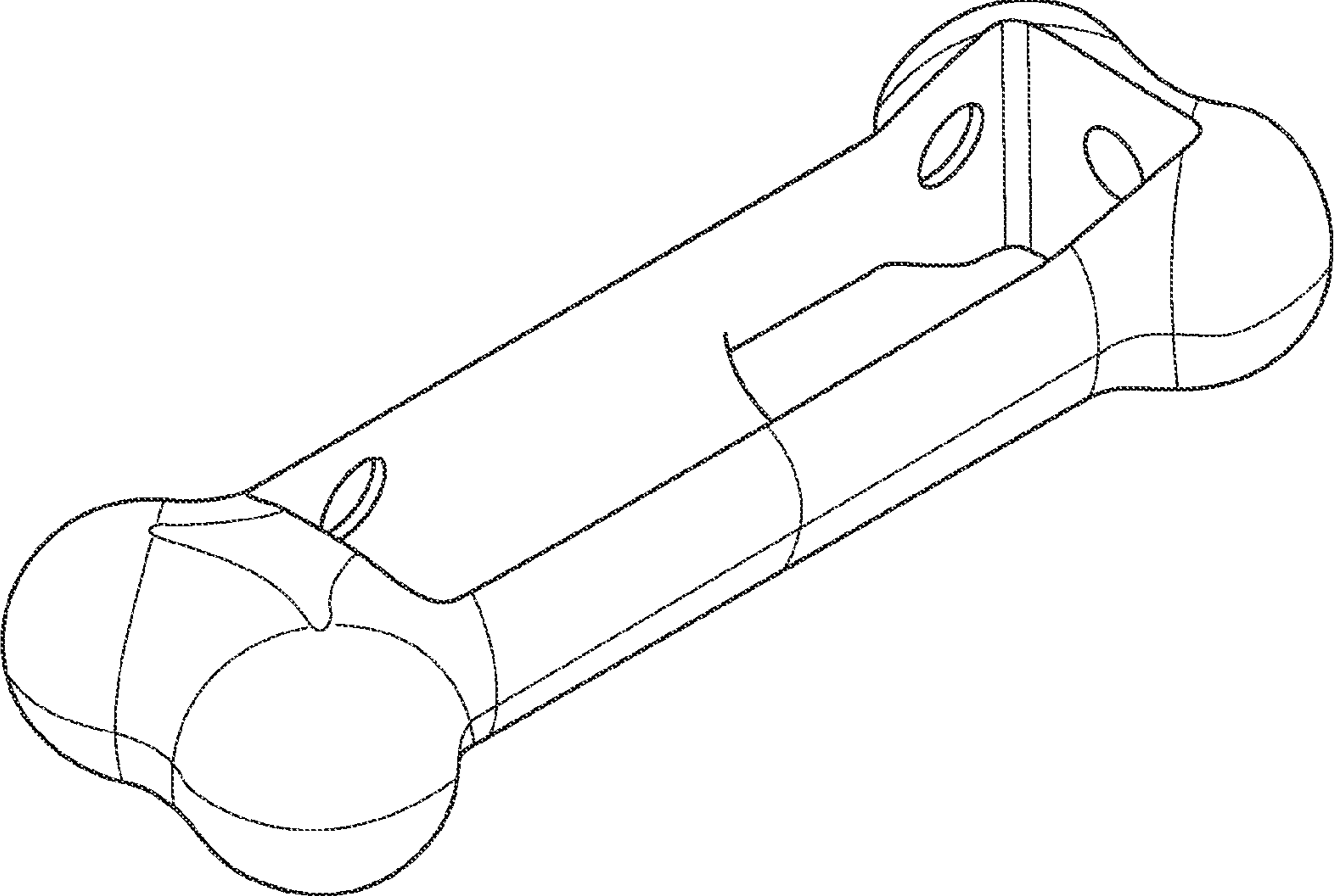


FIG. 2

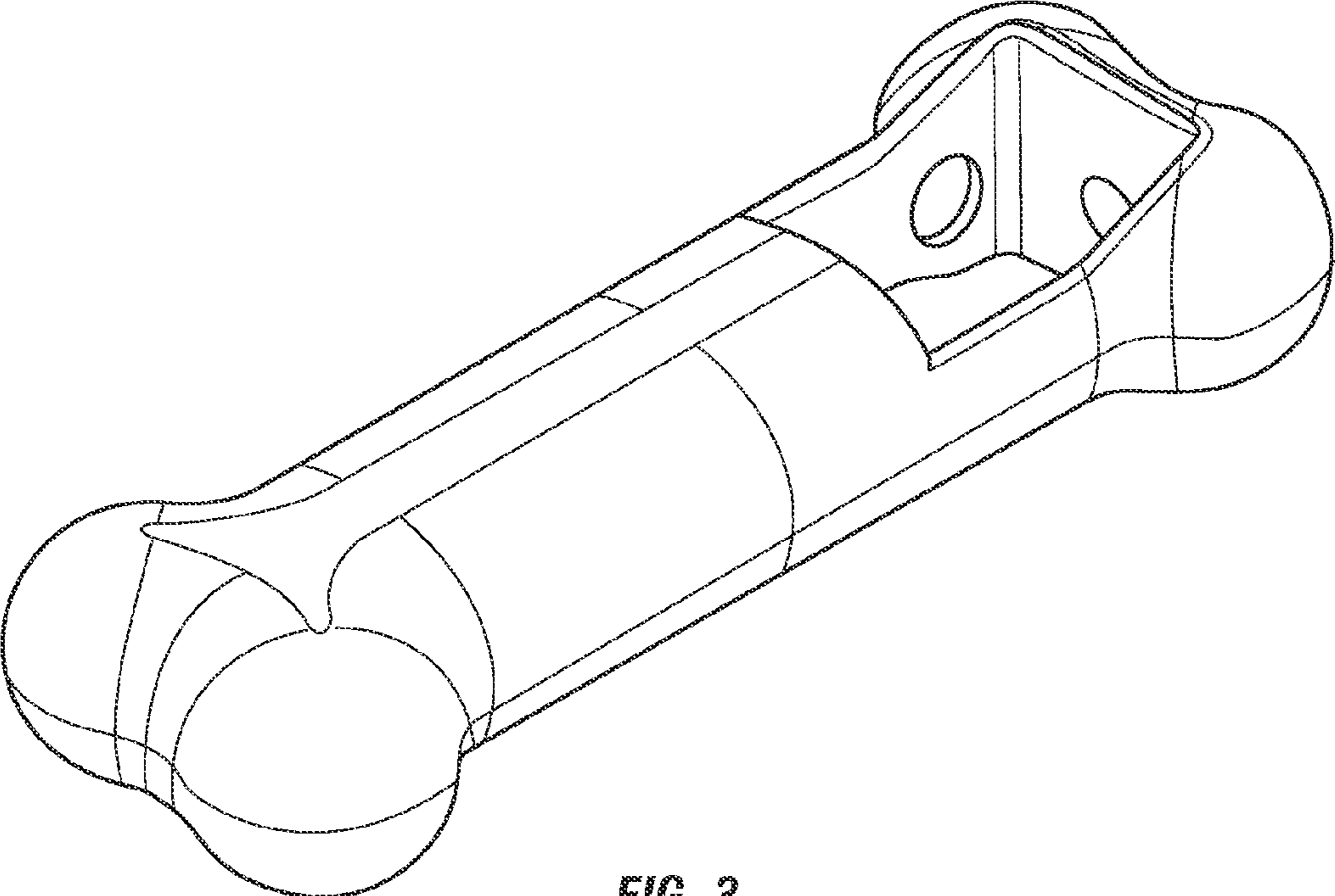


FIG. 3

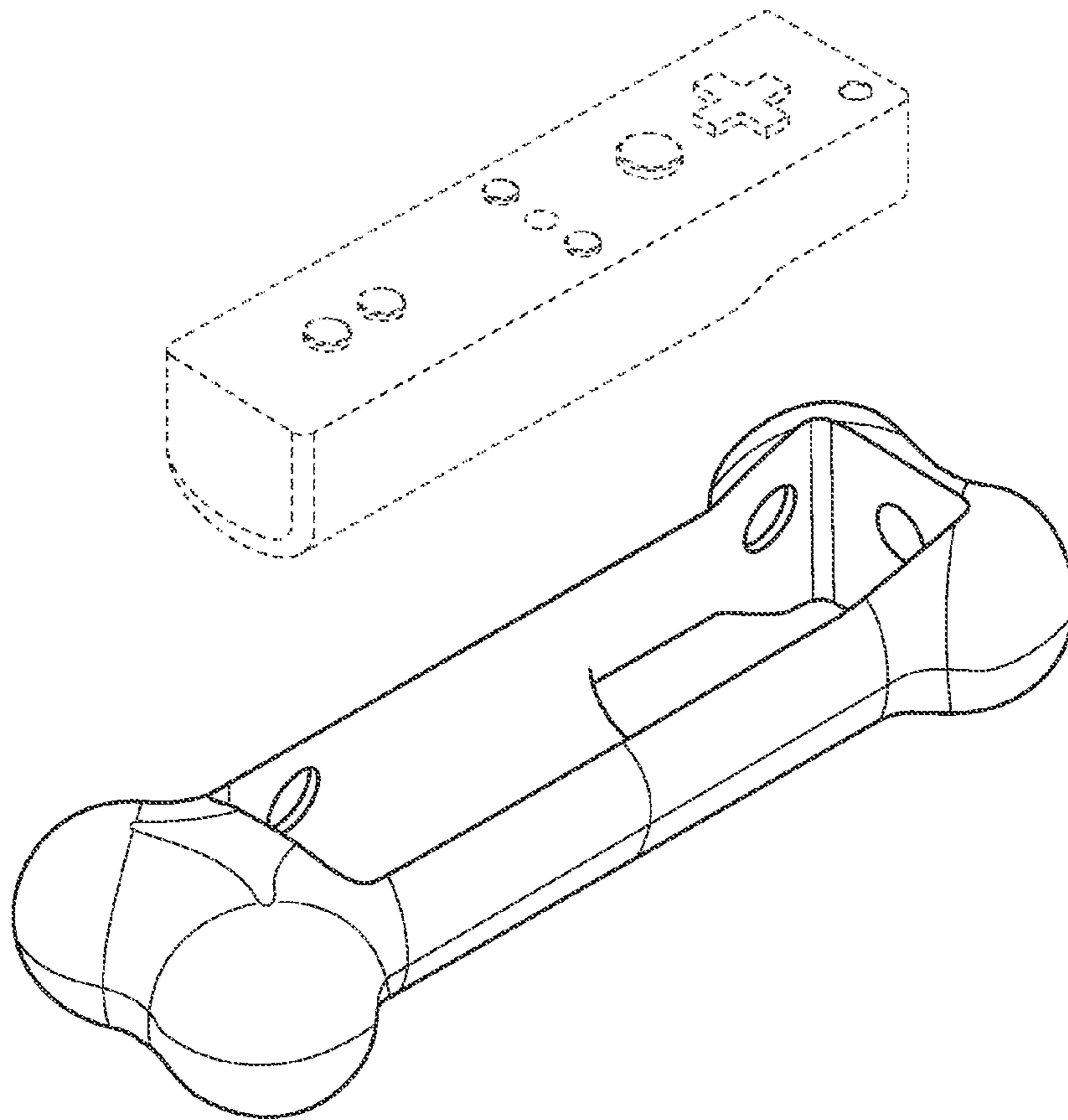


FIG. 4

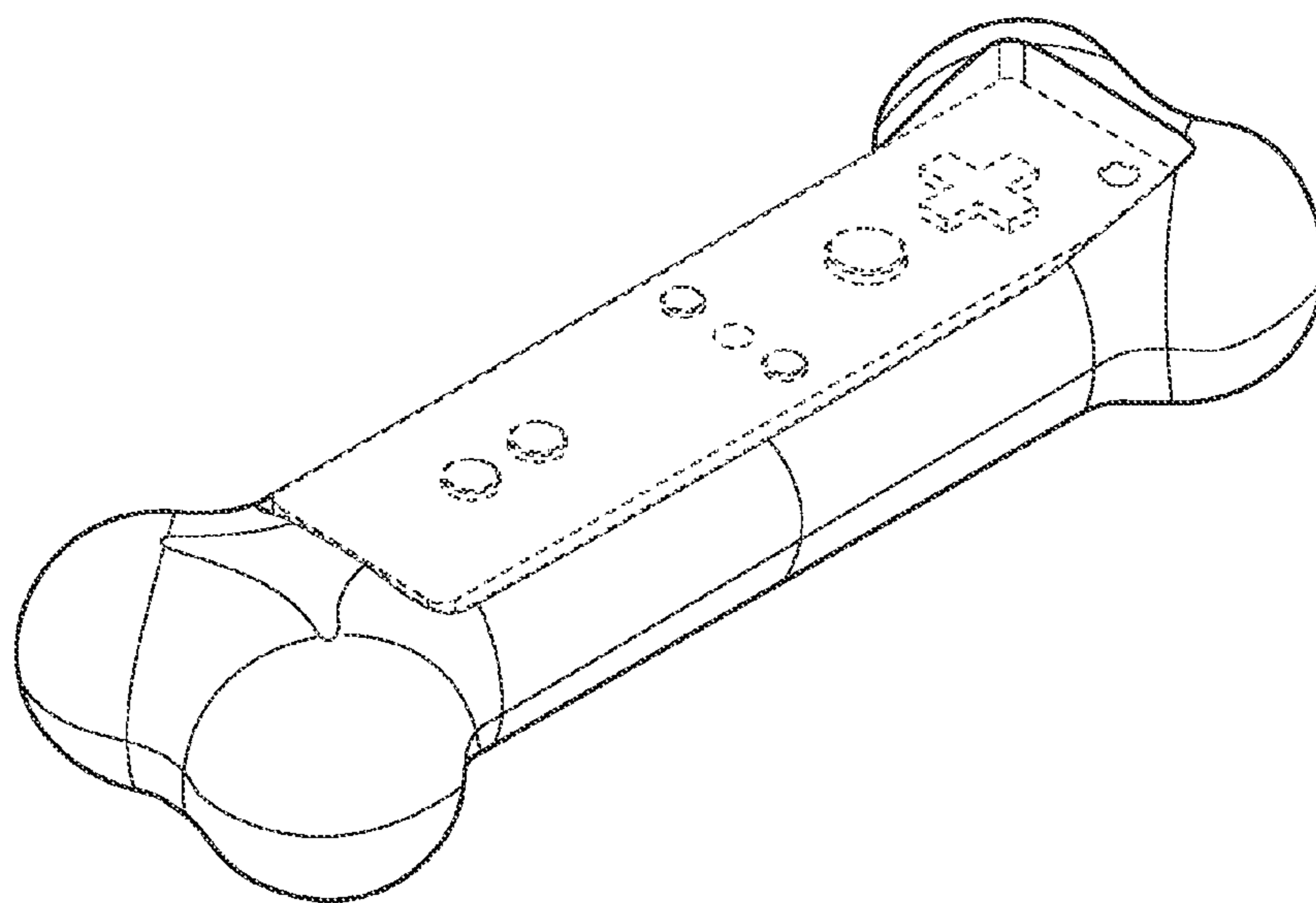


FIG. 5