

US00D632742S

(12) **United States Design Patent**  
**Mueller**

(10) **Patent No.:** **US D632,742 S**

(45) **Date of Patent:** **\*\* \*Feb. 15, 2011**

(54) **BONE-SHAPED GAME CONTROLLER ADAPTER**

(76) Inventor: **Dan Mueller**, 175 18th Ave., San Francisco, CA (US) 94121

(\* ) Notice: This patent is subject to a terminal disclaimer.

(\*\*) Term: **14 Years**

(21) Appl. No.: **29/339,492**

(22) Filed: **Jun. 30, 2009**

(51) **LOC (9) Cl.** ..... **21-91**

(52) **U.S. Cl.** ..... **D21/333**

(58) **Field of Classification Search** ..... D14/218, D14/432, 356, 358, 440, 400, 401; D21/332, D21/333, 324, 328; 273/148 B; 463/1, 29-47; D3/218, 301; 361/807-810; 248/689, 690, 248/309.1, 314, 346.01, 346.03, 346.06, 248/346.04; 206/320, 305

See application file for complete search history.

(56) **References Cited**

**U.S. PATENT DOCUMENTS**

4,876,440	A *	10/1989	Kamath et al.	219/548
5,046,739	A *	9/1991	Reichow	273/148 B
D343,262	S *	1/1994	Axelrod	D30/160
D371,165	S *	6/1996	Stambolic et al.	D21/329
5,685,776	A *	11/1997	Stambolic et al.	463/46
5,716,305	A *	2/1998	Selsam	482/93
6,202,598	B1 *	3/2001	Willinger	119/709

6,302,364	B1 *	10/2001	Chiueh	248/311.2
D466,511	S *	12/2002	Croley et al.	D14/434
D568,882	S *	5/2008	Ashida et al.	D14/400
D575,350	S *	8/2008	Ashida et al.	D21/333
2009/0325717	A1 *	12/2009	Lee-Him	463/47

\* cited by examiner

*Primary Examiner*—Prabhakar Deshmukh

(74) *Attorney, Agent, or Firm*—Procopio, Cory, Hargreaves & Savitch LLP

(57) **CLAIM**

The ornamental design for a bone-shaped game controller adapter, as shown and described.

**DESCRIPTION**

FIG. 1 is a top perspective view of a bone-shaped game controller adapter showing my new design;

FIG. 2 is another top perspective view thereof;

FIG. 3 is a bottom perspective view thereof;

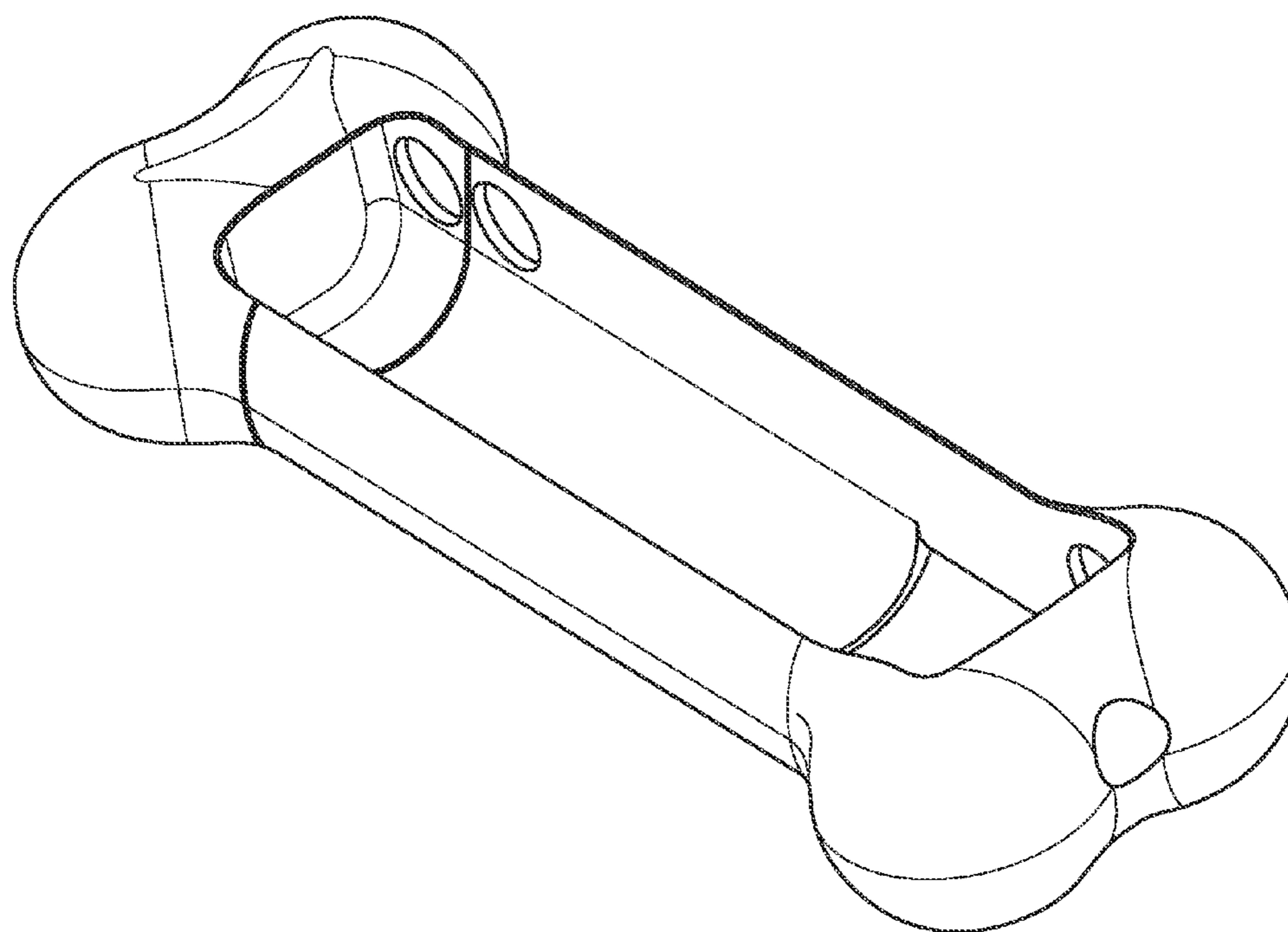
FIG. 4 is an exploded top perspective view thereof;

FIG. 5 is an exploded top perspective view thereof, with broken lines controller shown separated from the game controller adapter; and,

FIG. 6 is a top perspective view thereof, shown in its environmental use.

The broken lines showing of a controller as an environment is for illustrative purpose only and forms no part of the claimed design.

**1 Claim, 4 Drawing Sheets**



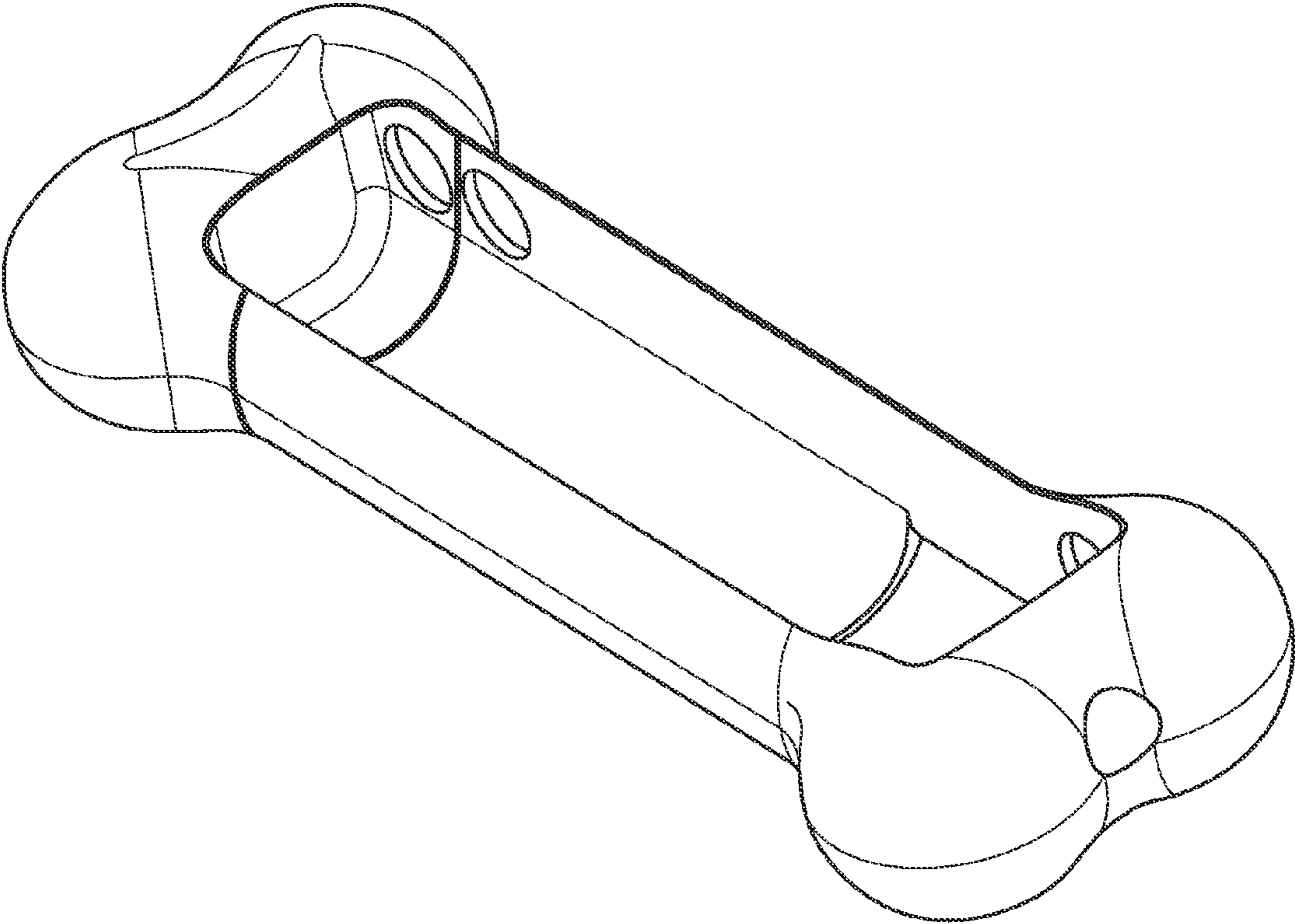


FIG. 1

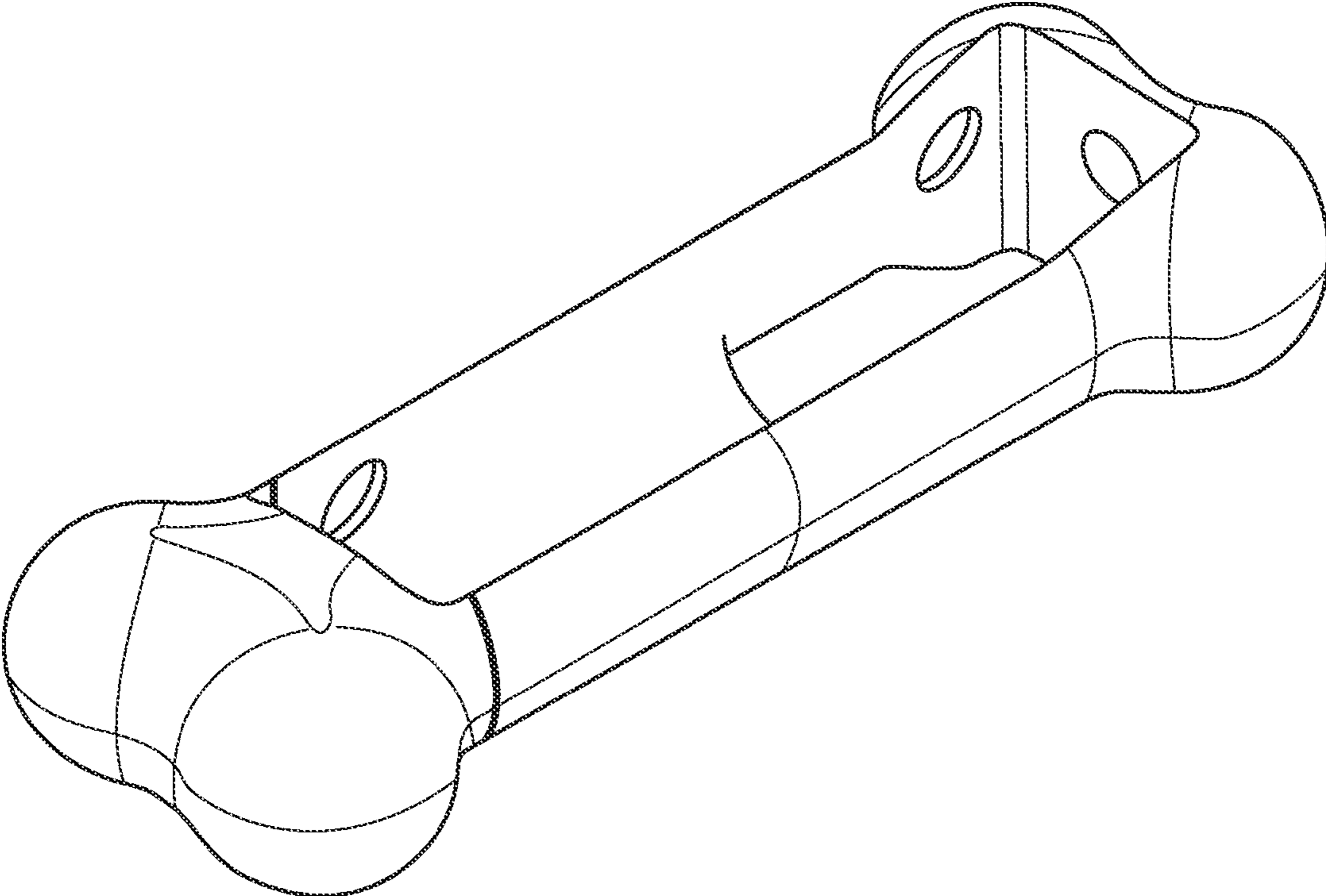


FIG. 2

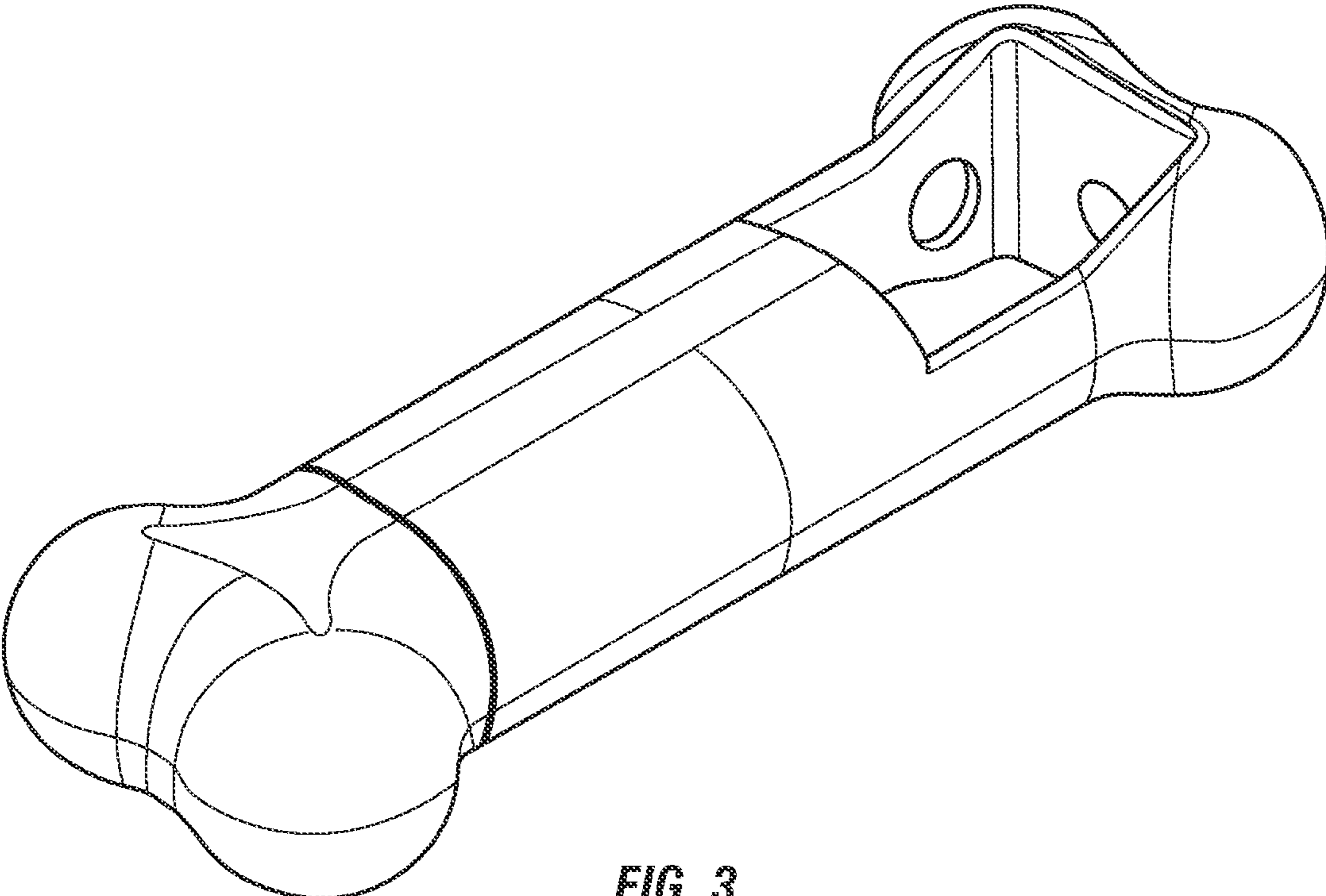


FIG. 3

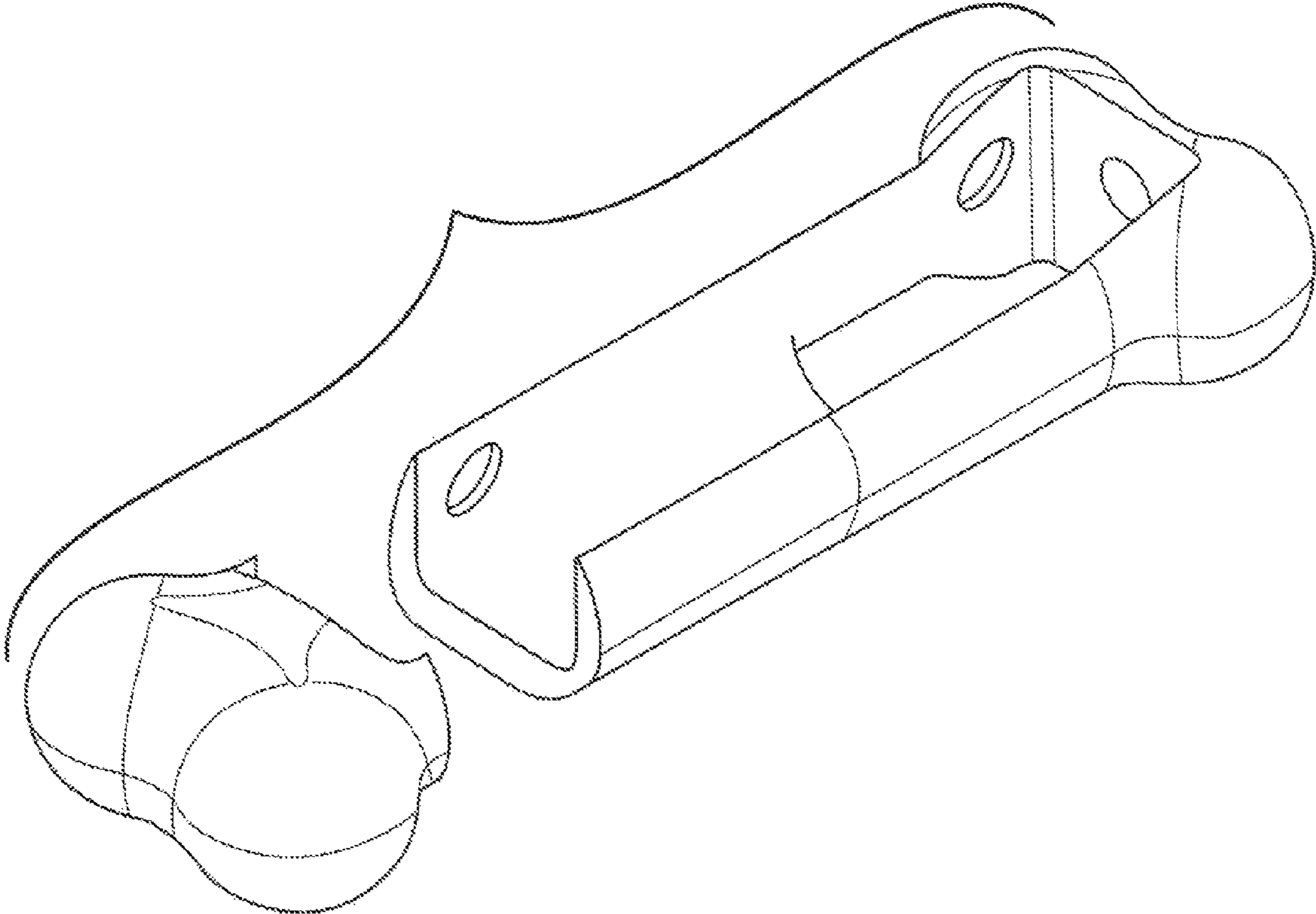


FIG. 4

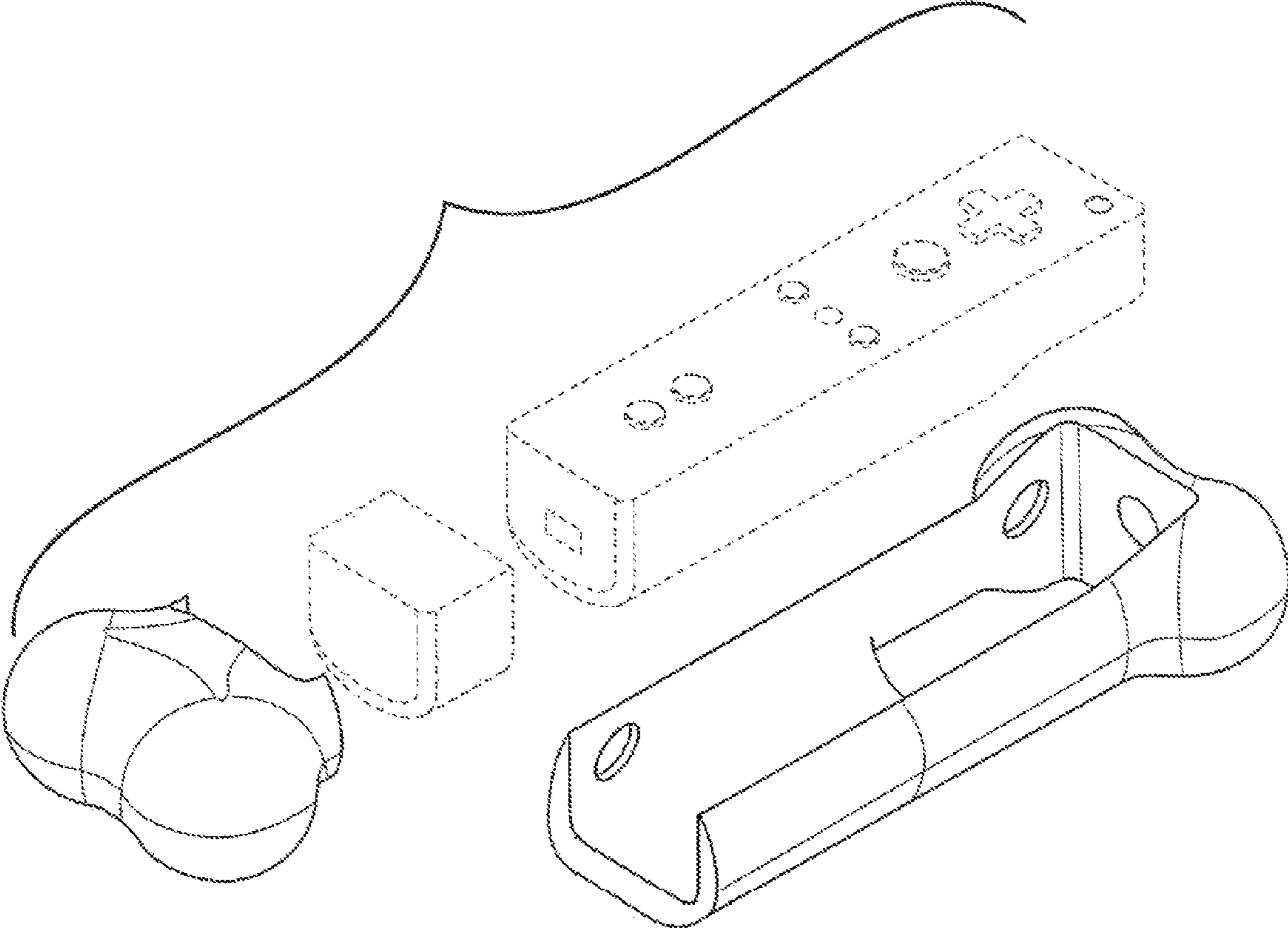


FIG. 5

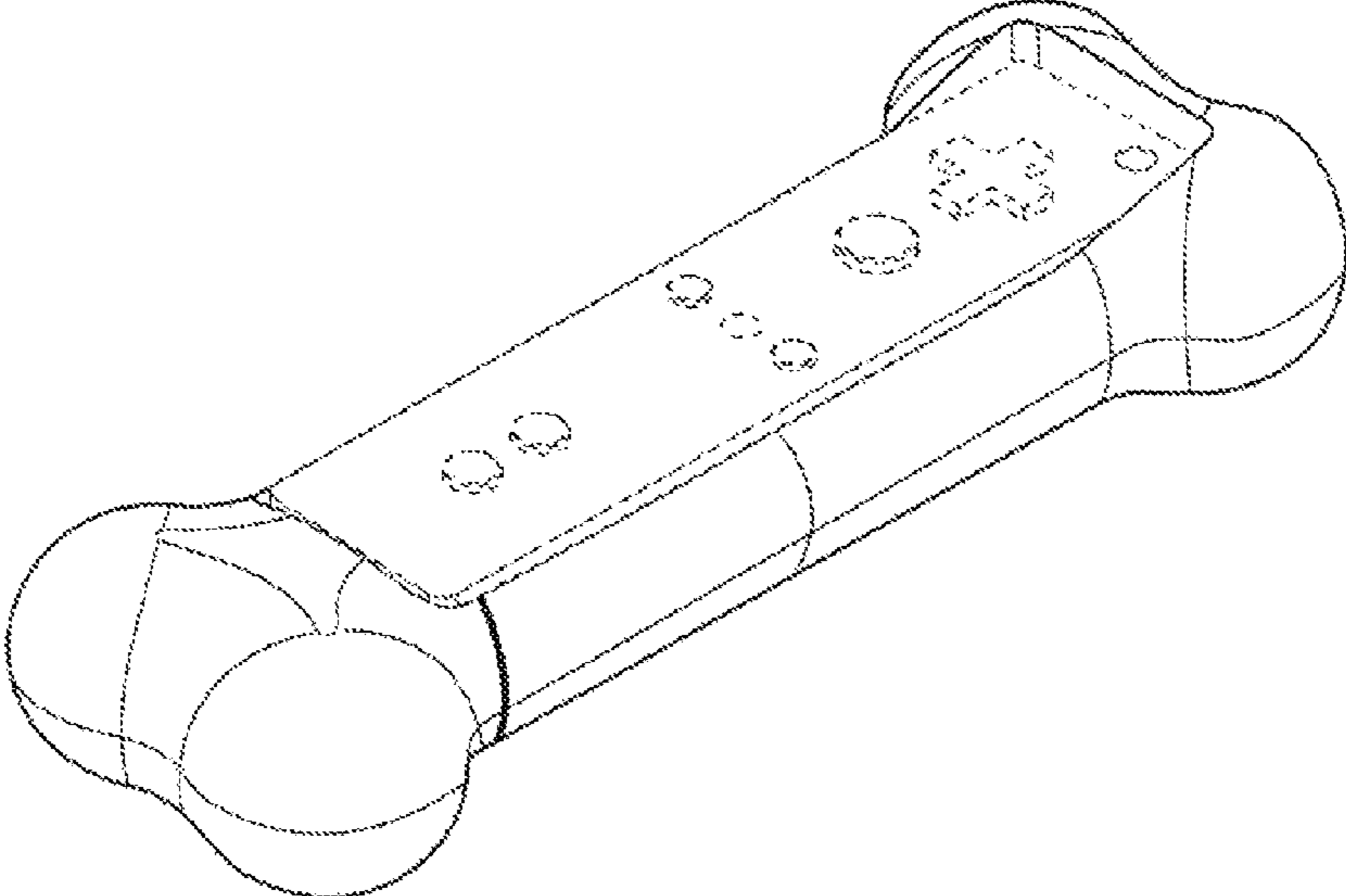


FIG. 6