



US00D632740S

(12) **United States Design Patent**
Adeline

(10) **Patent No.:** **US D632,740 S**

(45) **Date of Patent:** **** Feb. 15, 2011**

(54) **AUTOMATIC VENDING MACHINE**

D570,920 S * 6/2008 Choi D20/2
D579,795 S * 11/2008 Martinez et al. D10/42

(75) Inventor: **Adrien Adeline**, Draveil (FR)

* cited by examiner

(73) Assignee: **Parkeon**, Paris (FR)

Primary Examiner—Mary Ann Calabrese
(74) *Attorney, Agent, or Firm*—Stites & Harbison PLLC;
Douglas E. Jackson

(**) Term: **14 Years**

(21) Appl. No.: **29/358,645**

(22) Filed: **Mar. 30, 2010**

(57) **CLAIM**

The ornamental design for an automatic vending machine, as shown and described.

(30) **Foreign Application Priority Data**

Sep. 30, 2009 (EM) 001166961-0001
Sep. 30, 2009 (EM) 001166961-0002

DESCRIPTION

(51) **LOC (9) Cl.** **20-01**

FIG. 1 is a front and left side view showing the new design of an automatic vending machine.

(52) **U.S. Cl.** **D20/2**

FIG. 2 is a front view thereof.

(58) **Field of Classification Search** D20/1-9,
D20/19, 42, 99; 221/10, 92, 96, 104, 124,
221/126, 133, 151, 154, 155, 194; D10/42;
D99/28

FIG. 3 is a left side view thereof, the right side view being a mirror image thereof.

See application file for complete search history.

FIG. 4 is a top view thereof.

(56) **References Cited**

FIG. 5 is a rear and left side view thereof.

U.S. PATENT DOCUMENTS

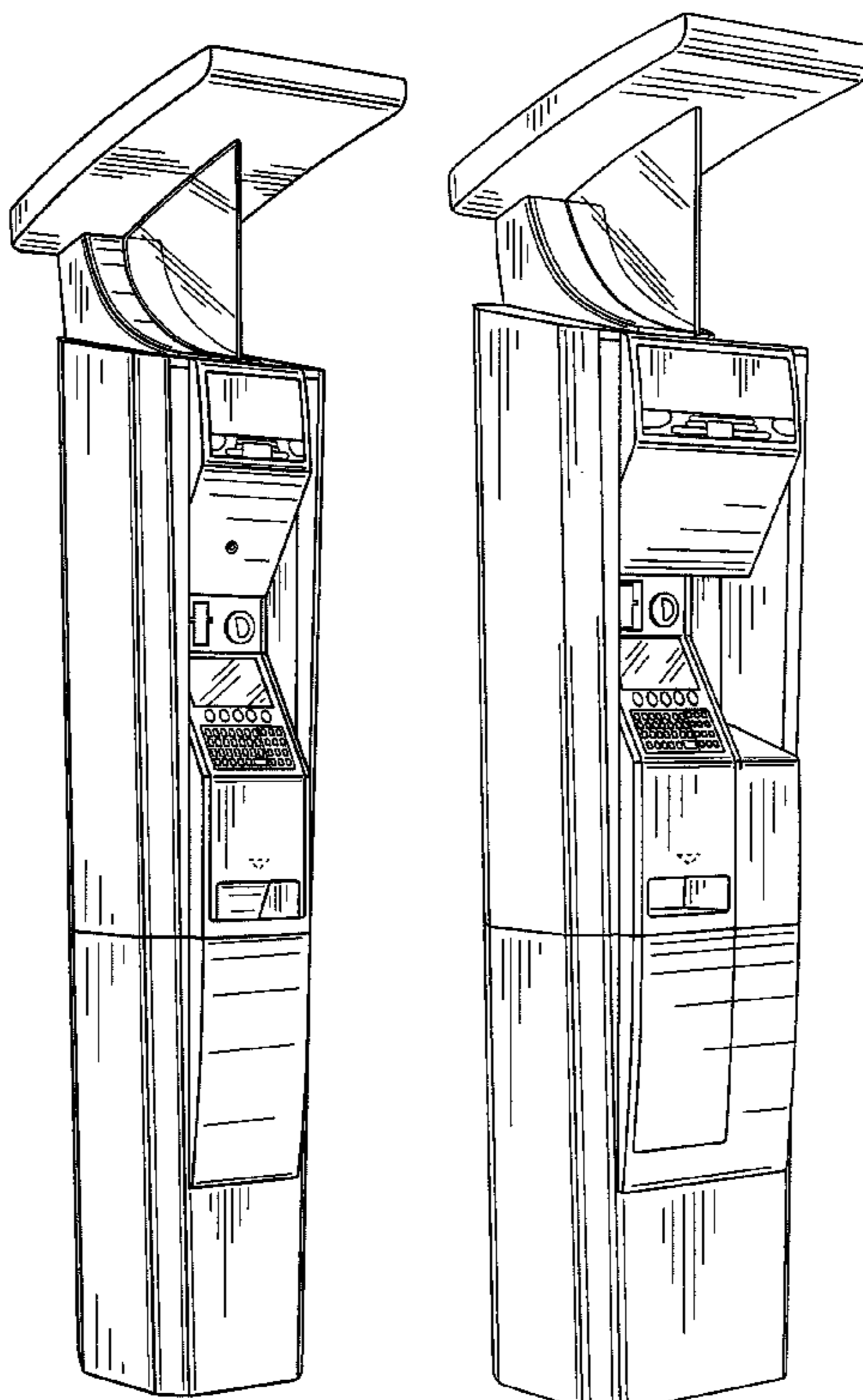
D412,289 S * 7/1999 Winwood D10/42
D429,401 S * 8/2000 Sato et al. D99/28
D455,787 S * 4/2002 Sandor et al. D20/8
D460,005 S * 7/2002 Jacquet D10/42
D507,813 S * 7/2005 Gillard D20/19
D510,751 S * 10/2005 Magee et al. D20/3
D511,358 S * 11/2005 Forster et al. D20/1

FIG. 6 is a front view showing a second embodiment of the new design of an automatic vending machine; and,

FIG. 7 is a front and left side view thereof; with the other views being proportionally the same as for the first embodiment.

In the drawings, the broken lines represent features that form no part of the claimed design.

1 Claim, 6 Drawing Sheets



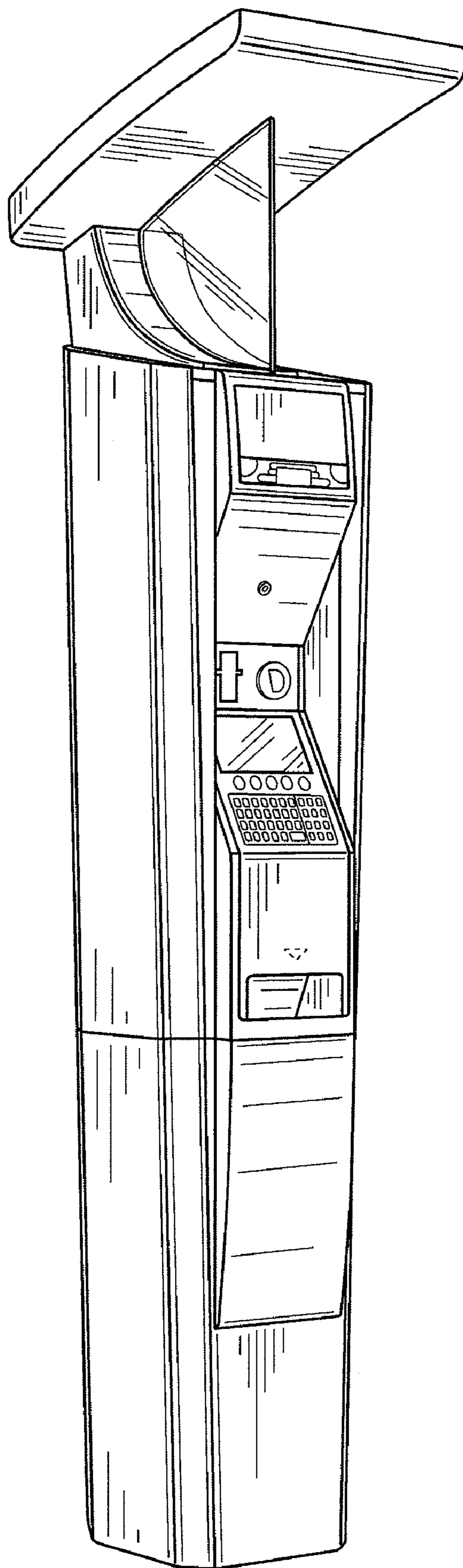


Fig. 1

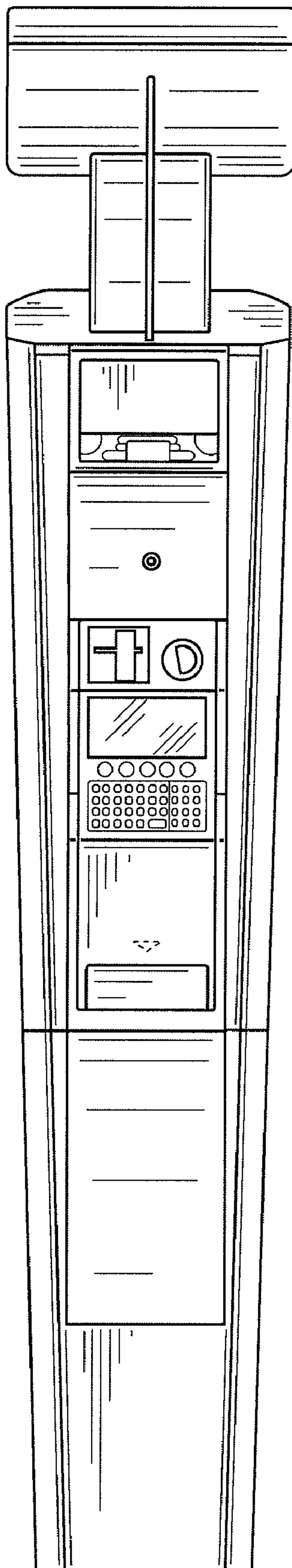


Fig. 2

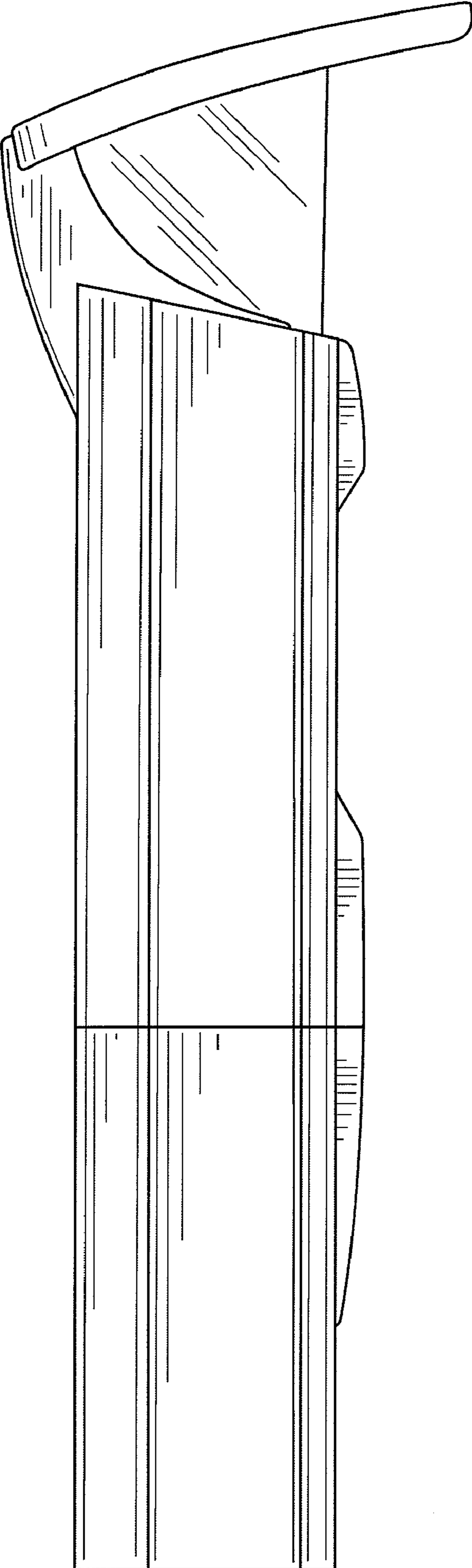


Fig. 3

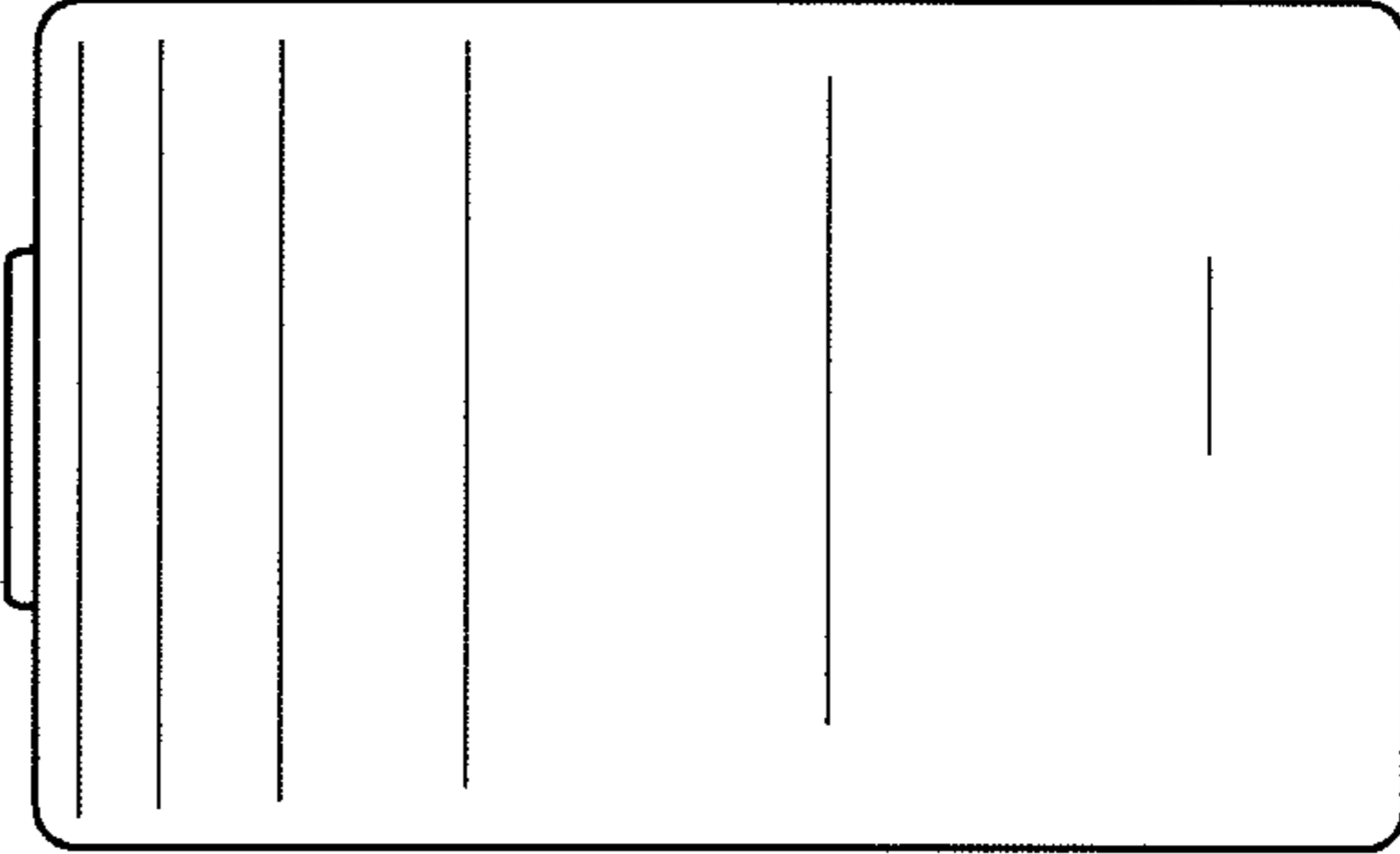


Fig. 4

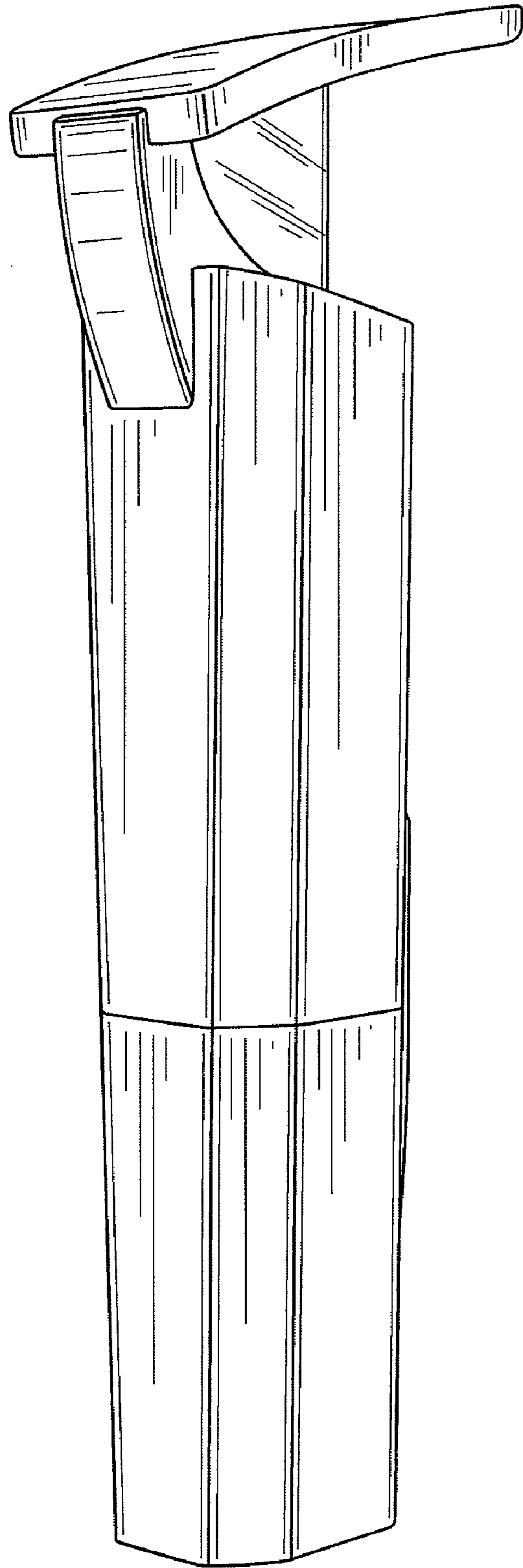


Fig. 5

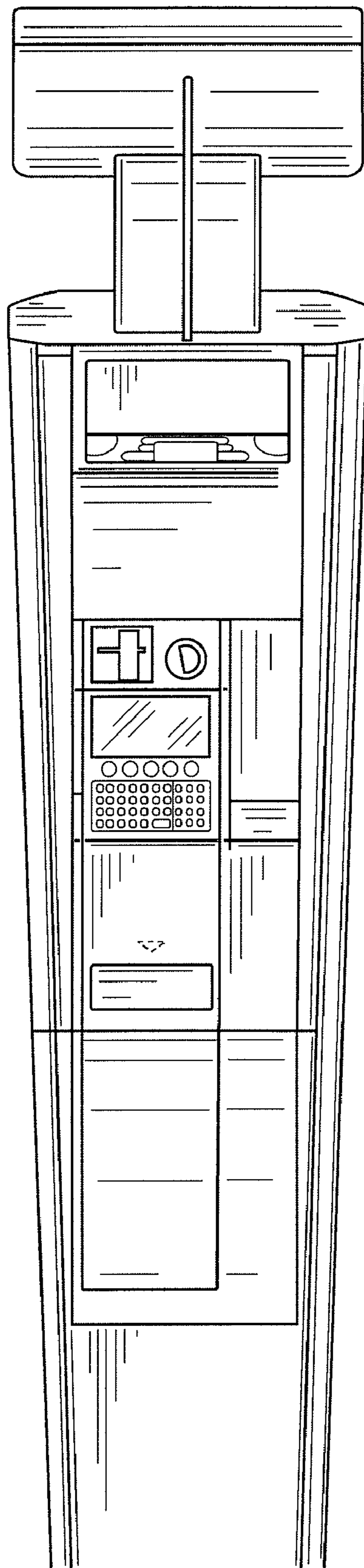


Fig. 6

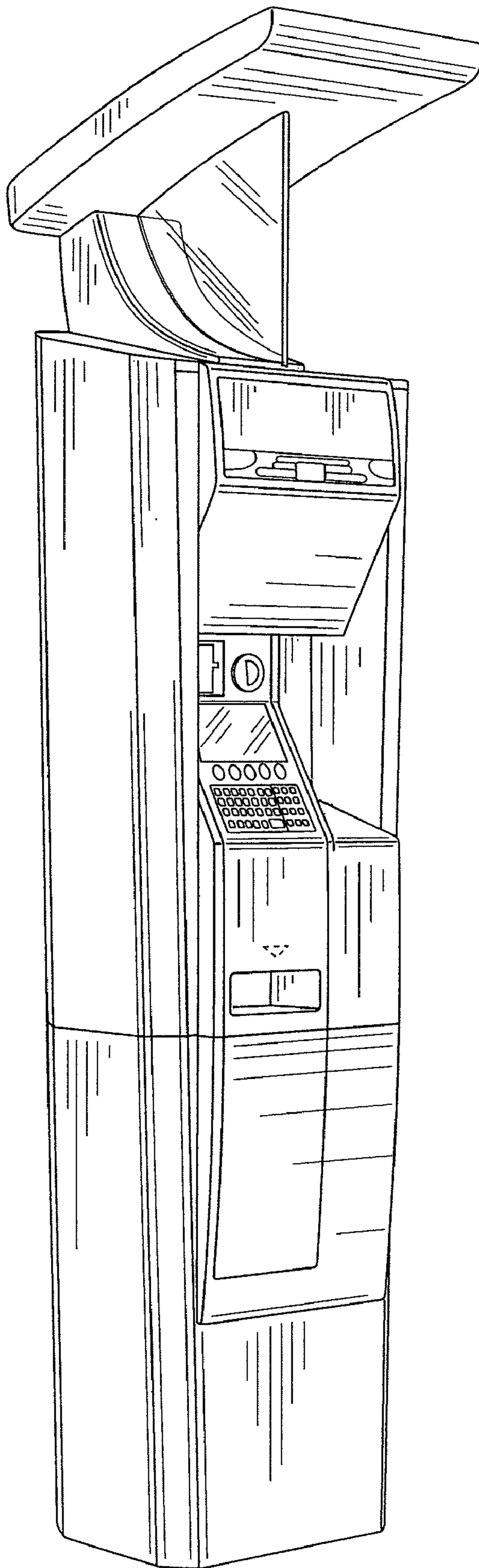


Fig. 7