

US00D632739S

(12) **United States Design Patent**
Stravitz

(10) **Patent No.:** **US D632,739 S**

(45) **Date of Patent:** **** Feb. 15, 2011**

(54) **STEP-UP FILE RACK**

(76) **Inventor:** **David M. Stravitz**, 16 Park Ave., New York, NY (US) 10016

(**) **Term:** **14 Years**

(21) **Appl. No.:** **29/349,534**

(22) **Filed:** **Apr. 13, 2010**

(51) **LOC (9) Cl.** **19-02**

(52) **U.S. Cl.** **D19/90**

(58) **Field of Classification Search** D6/449,
D6/473, 474, 477, 478, 479, 553; D19/75,
D19/77, 78, 86-87, 90-92; 206/215; 211/10,
211/11, 45, 50, 55, 126.1, 126.2, 126.13,
211/126.16; 312/183

See application file for complete search history.

(56) **References Cited**

U.S. PATENT DOCUMENTS

583,494	A *	6/1897	Lundberg	211/43
1,396,910	A *	11/1921	Annable	40/642.02
D231,137	S *	4/1974	Juhlin	D19/90
D258,511	S *	3/1981	Ashton	D19/90
D299,361	S *	1/1989	Lothe	D19/90
5,036,988	A *	8/1991	Rouire	211/42
D323,190	S *	1/1992	Evenson	D19/90
D339,608	S *	9/1993	Aaldenberg	D19/90
D341,621	S *	11/1993	Evenson	D19/34.1
D411,860	S *	7/1999	Stravitz	D19/75
D421,272	S *	2/2000	Patel	D19/90

D432,171	S *	10/2000	Stravitz	D19/90
6,320,505	B1 *	11/2001	Scott	340/568.1
D454,912	S *	3/2002	Cheris et al.	D19/90
D468,352	S *	1/2003	Chen	D19/34.1
D478,355	S *	8/2003	Chen	D19/90
D502,221	S *	2/2005	Chen et al.	D19/90
D550,284	S *	9/2007	Goodman et al.	D19/90
D551,248	S *	9/2007	Pieratt et al.	D14/492
2005/0230330	A1 *	10/2005	Killinger et al.	211/11

* cited by examiner

Primary Examiner—Elizabeth A Albert

(57) **CLAIM**

The ornamental design for a step-up file rack, as shown and described.

DESCRIPTION

FIG. 1 is a top, front, right side perspective view of a step-up file rack showing my new design;

FIG. 2 is a front elevational view thereof;

FIG. 3 is a rear elevational view thereof;

FIG. 4 is a top plan view thereof;

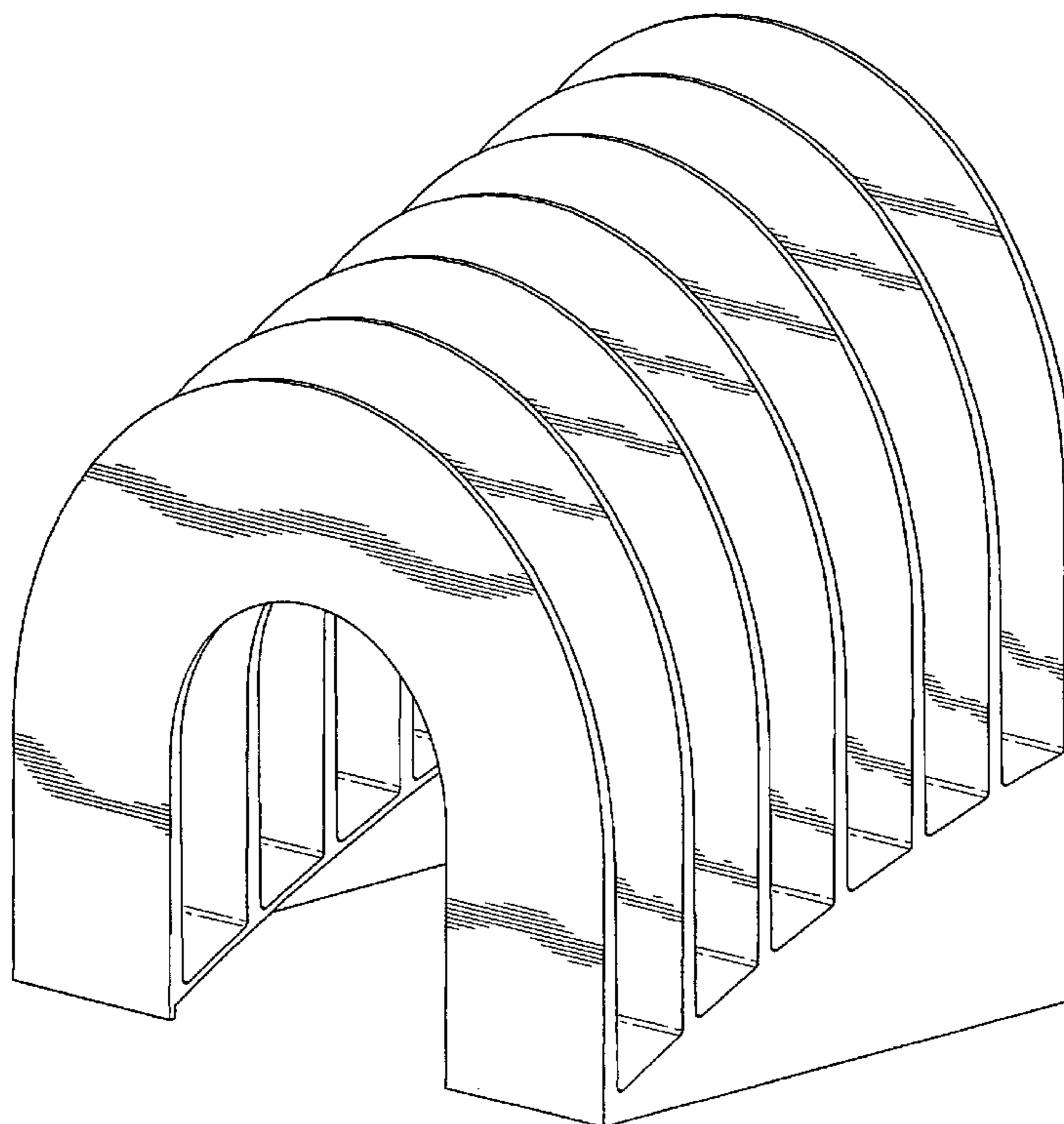
FIG. 5 is a bottom plan view thereof.

FIG. 6 is a left side elevational view thereof;

FIG. 7 is a right side elevational view thereof; and,

FIG. 8 is a top, back, right side perspective view thereof.

1 Claim, 5 Drawing Sheets



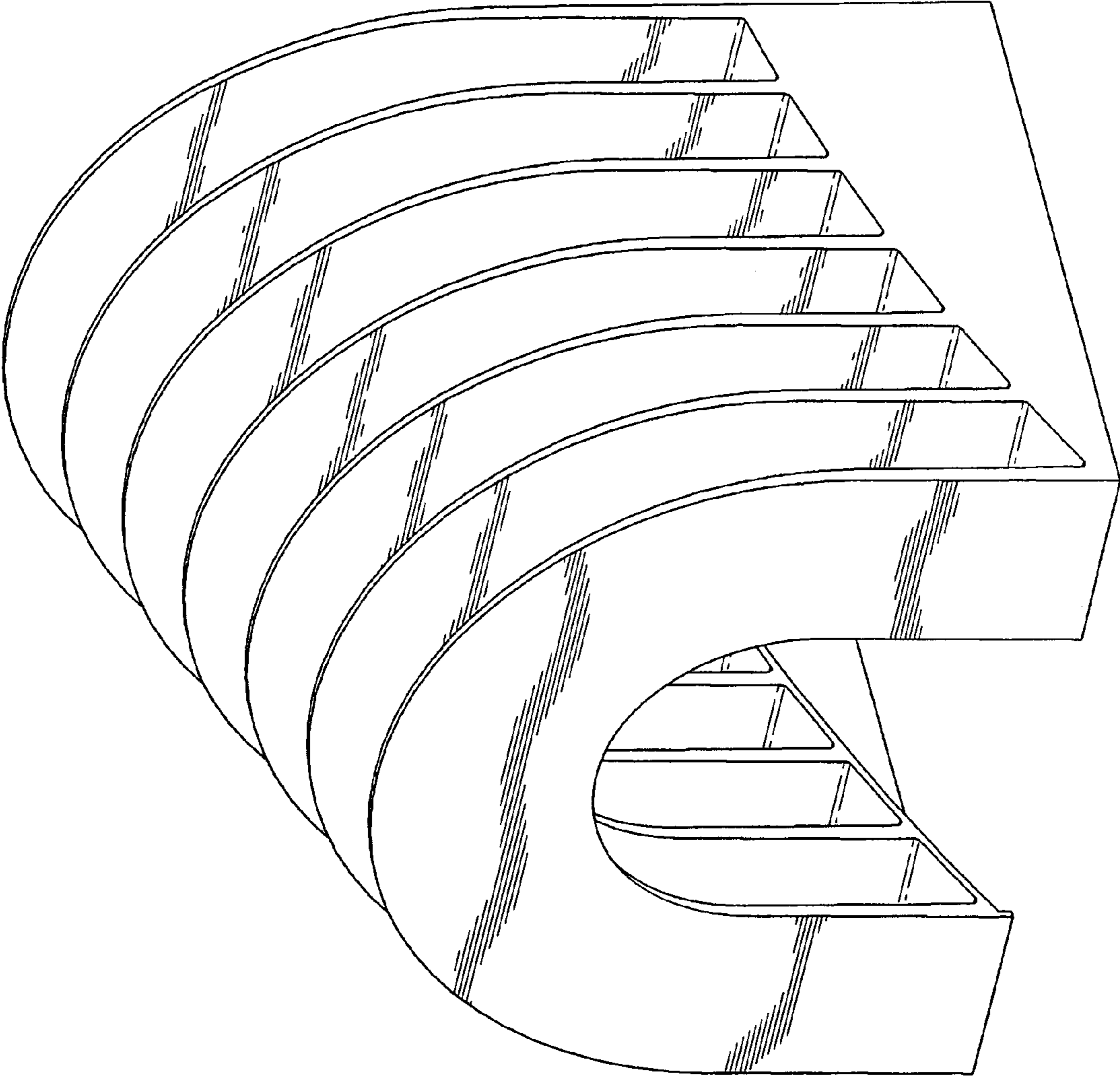


FIG. 1

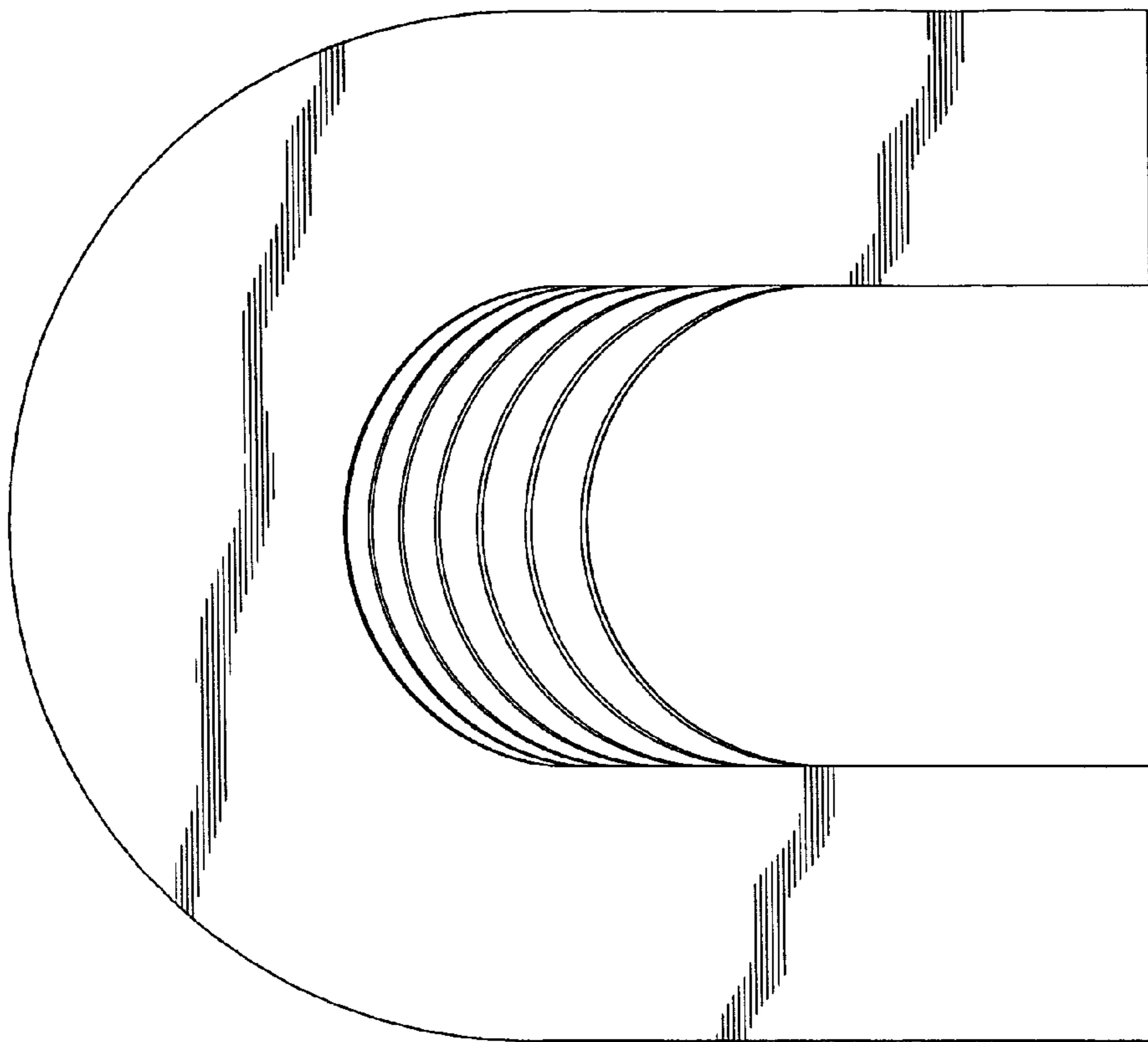


FIG. 3

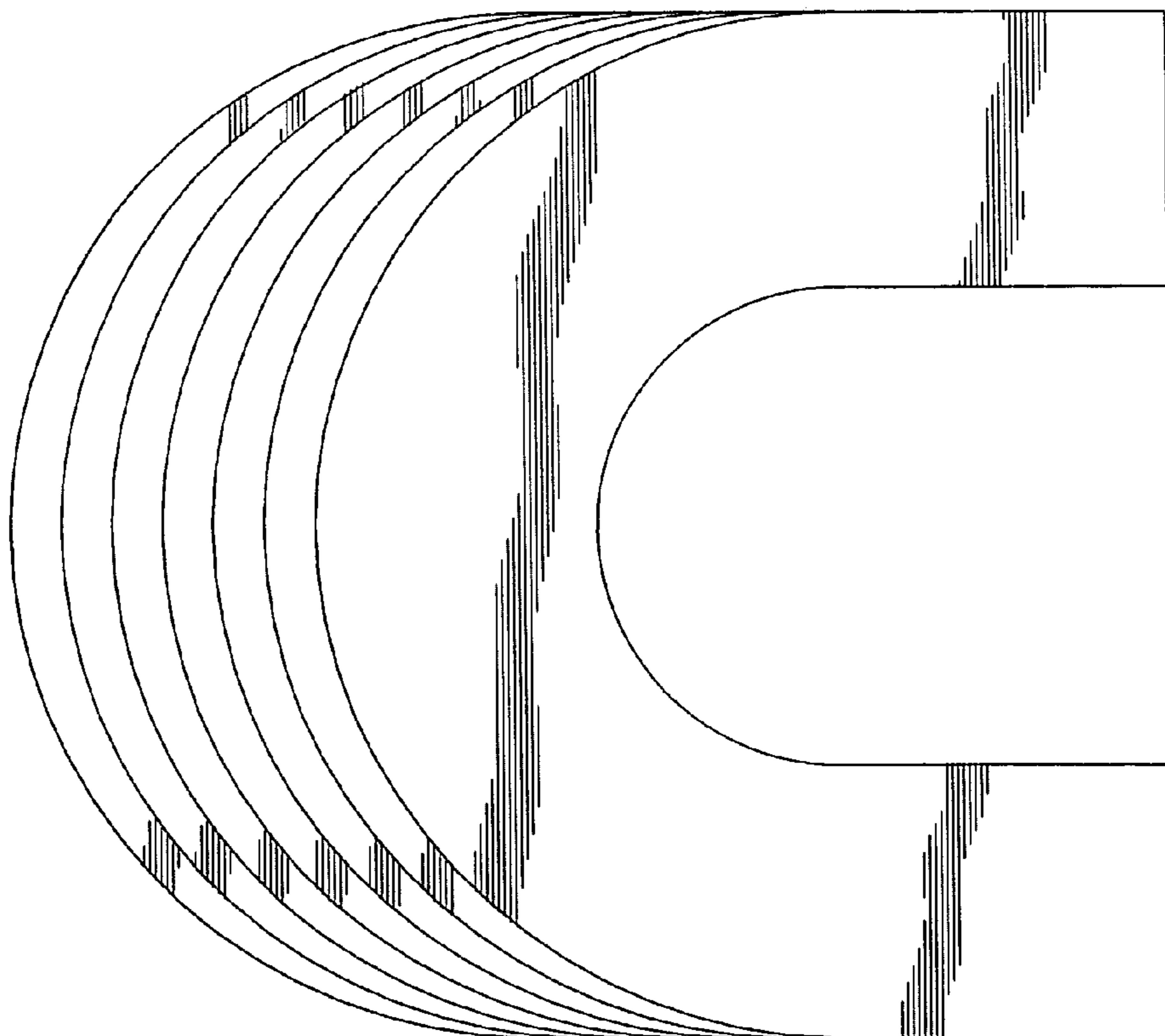


FIG. 2

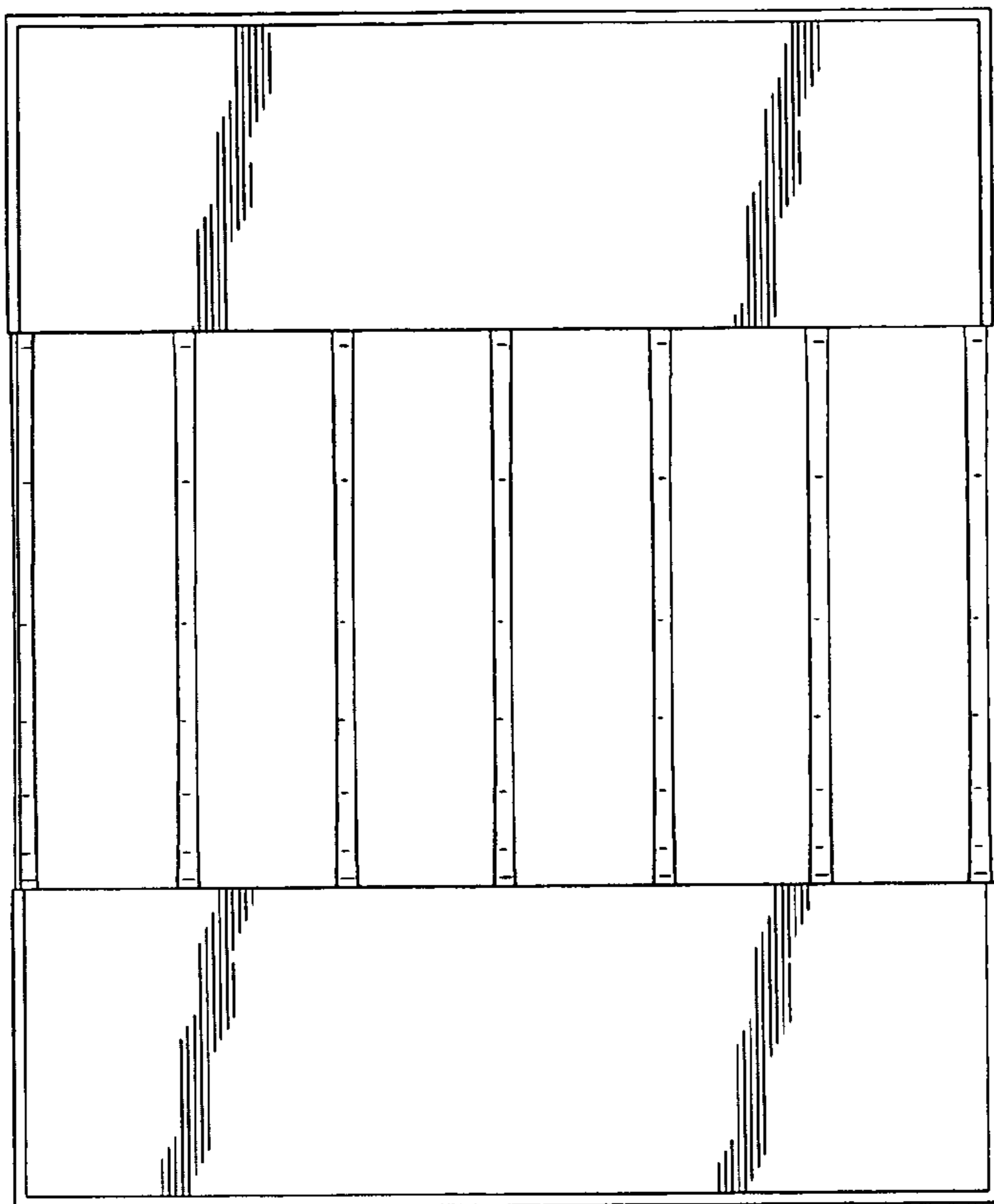


FIG. 5

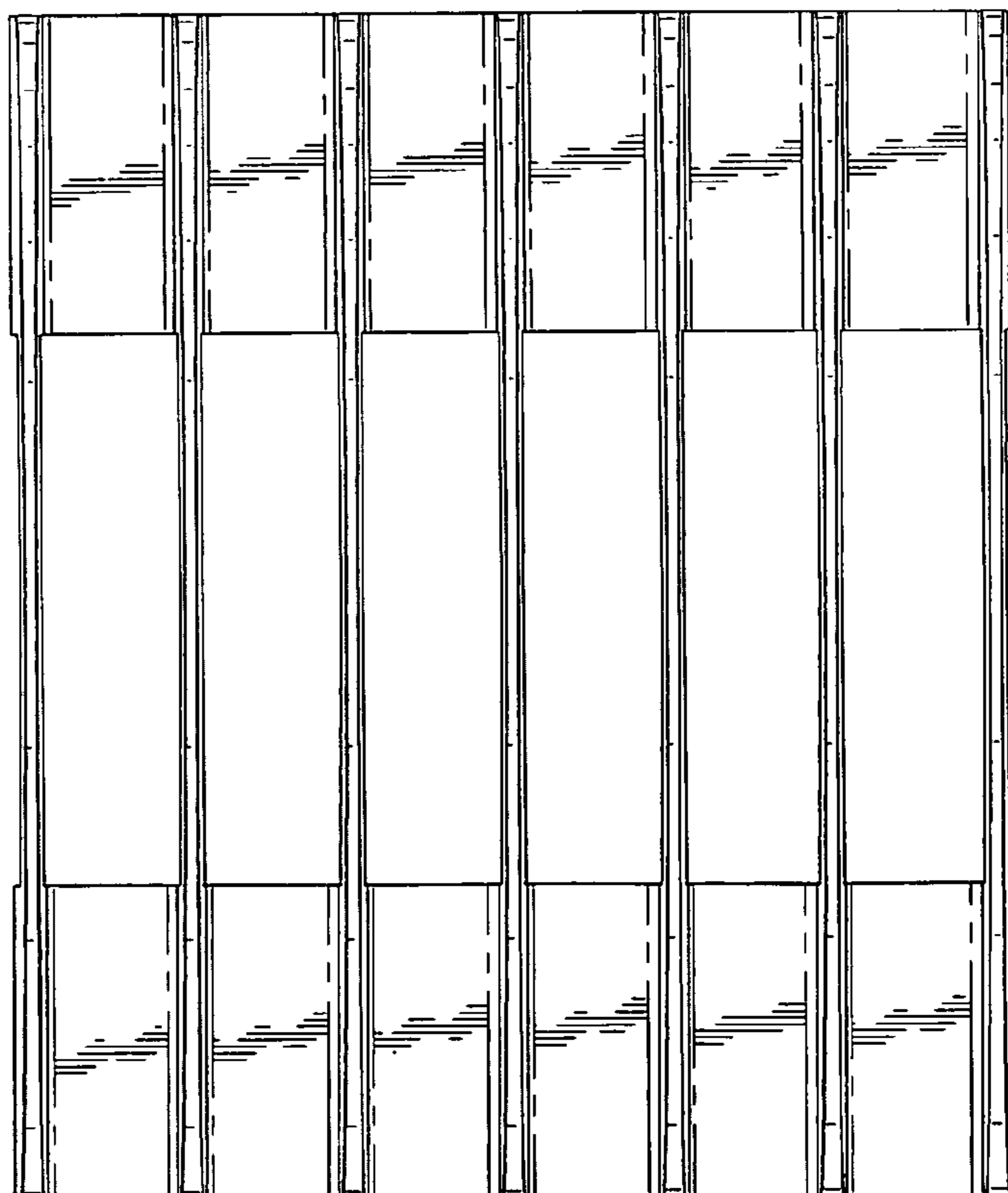


FIG. 4

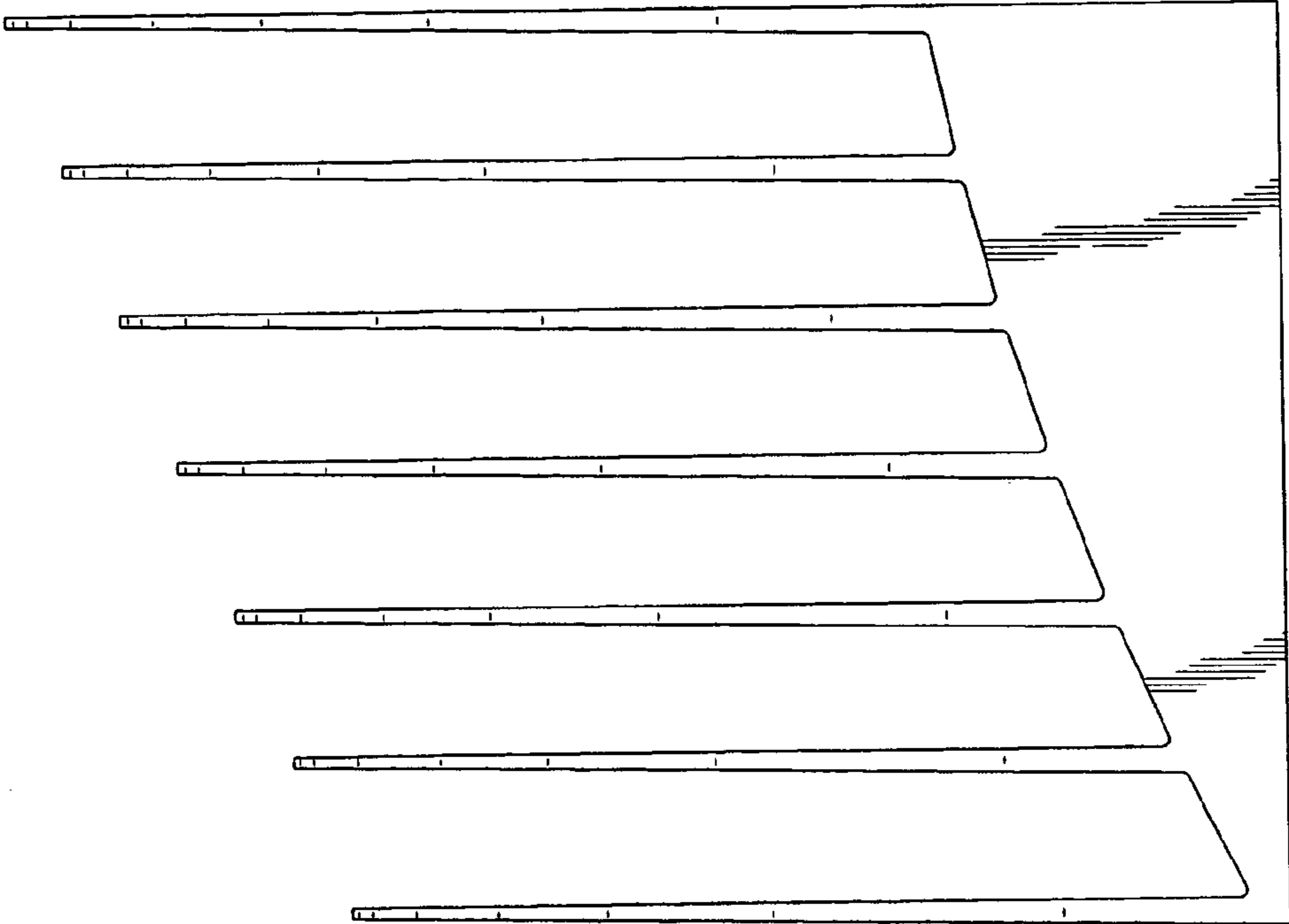


FIG. 7

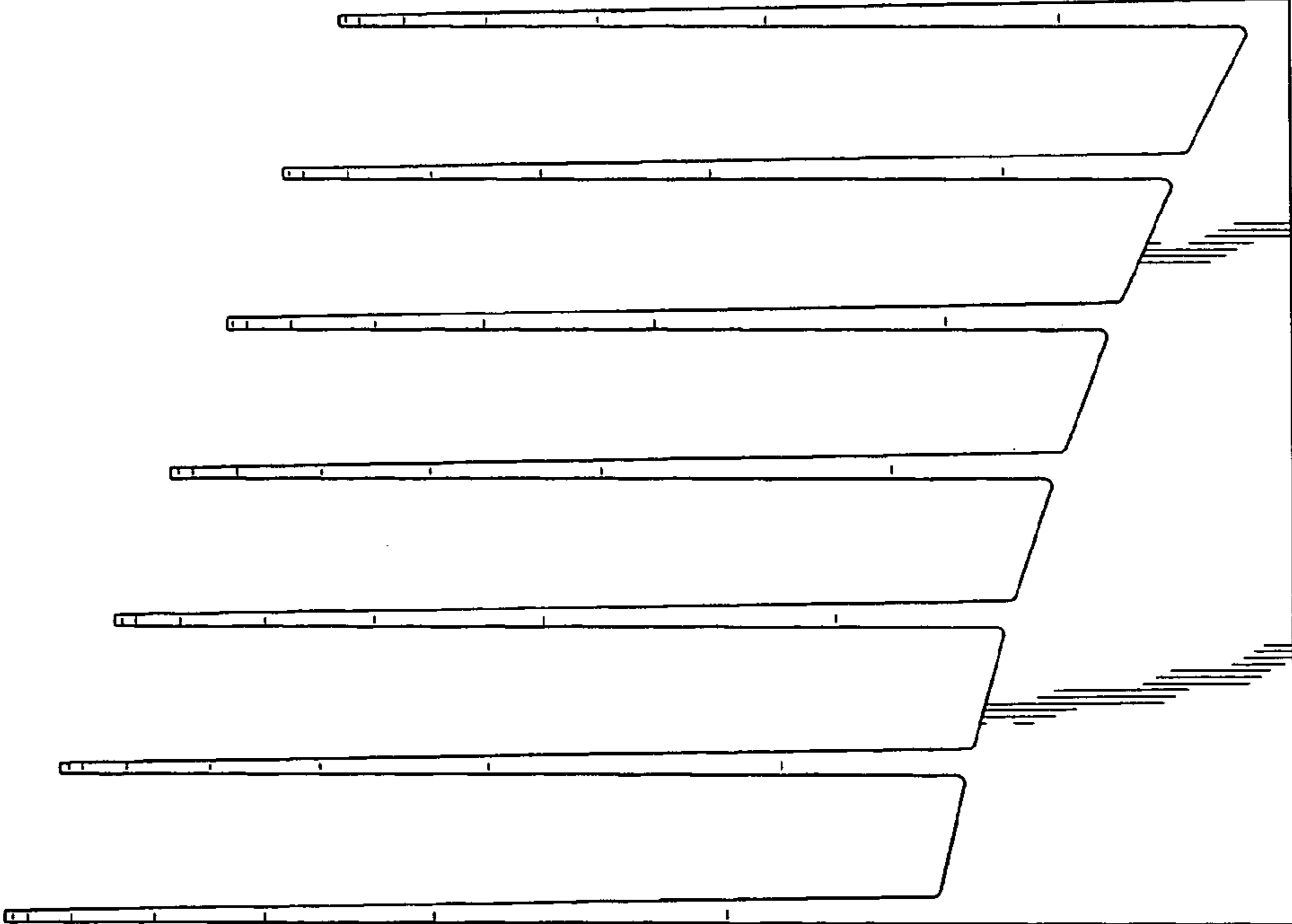


FIG. 6

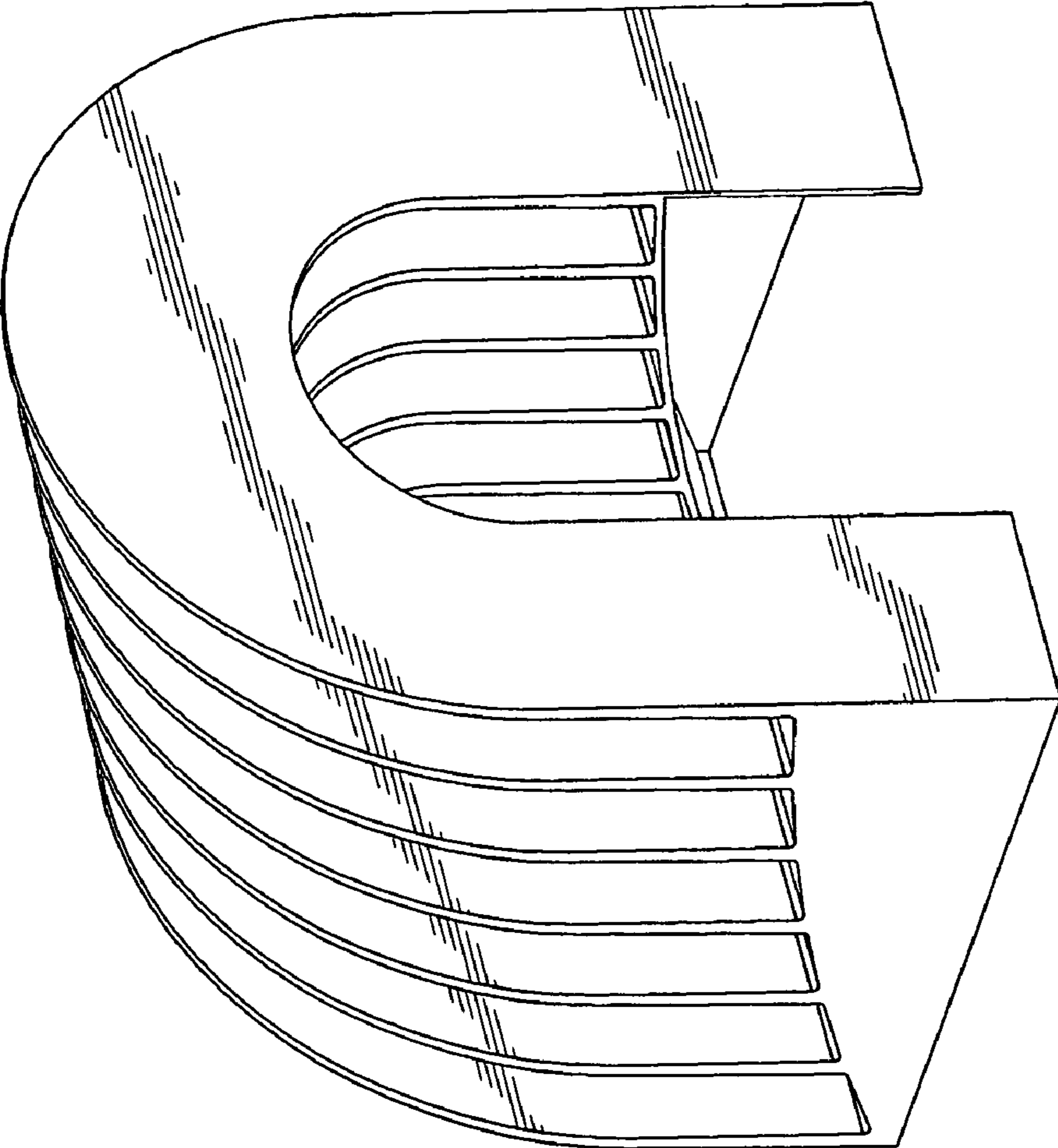


FIG. 8