



US00D632738S

(12) **United States Design Patent**  
**Bedol et al.**

(10) **Patent No.:** **US D632,738 S**

(45) **Date of Patent:** **\*\* Feb. 15, 2011**

(54) **HOLE PUNCH**

(75) Inventors: **Mark Bedol**, P.O. Box 1268, Claremont, CA (US) 91711; **Kohar Scott**, Hawthorne, CA (US)

(73) Assignee: **Mark Bedol**, Claremont, CA (US)

(\*\*) Term: **14 Years**

(21) Appl. No.: **29/310,088**

(22) Filed: **Jul. 25, 2008**

(51) **LOC (9) Cl.** ..... **19-02**

(52) **U.S. Cl.** ..... **D19/72**

(58) **Field of Classification Search** ..... D8/98;  
D19/72; 30/358; 83/167, 467.1, 468, 468.2,  
83/549, 588, 618, 620, 633, 651, 684  
See application file for complete search history.

(56) **References Cited**

U.S. PATENT DOCUMENTS

2,534,094	A *	12/1950	Yerkes	.....	83/449
4,499,805	A *	2/1985	Mori	.....	83/468
D416,041	S *	11/1999	Mori	.....	D18/34.2
D433,708	S *	11/2000	Chiang	.....	D19/72
D445,133	S *	7/2001	Arns	.....	D19/72
D543,243	S *	5/2007	Holliday	.....	D19/72
2007/0234866	A1 *	10/2007	Kandasamy et al.	.....	83/588
2009/0151532	A1 *	6/2009	Liu	.....	83/618

\* cited by examiner

*Primary Examiner*—Elizabeth A Albert

*Assistant Examiner*—Karen E Eldridge Powers

(57) **CLAIM**

I claim the ornamental design for a hole punch, as shown and described.

**DESCRIPTION**

FIG. 1 is a front perspective view of a first embodiment of a hole punch, showing our new design;

FIG. 2 is a rear perspective view thereof;

FIG. 3 is a left end elevation view thereof;

FIG. 4 is a right end elevation view thereof;

FIG. 5 is a rear elevation view thereof;

FIG. 6 is a front perspective view of a second embodiment of a hole punch;

FIG. 7 is a rear perspective view thereof;

FIG. 8 is a left end elevation view thereof;

FIG. 9 is a right end elevation view thereof;

FIG. 10 is a rear elevation view thereof;

FIG. 11 is a front perspective view of a third embodiment of a hole punch;

FIG. 12 is a rear perspective view thereof;

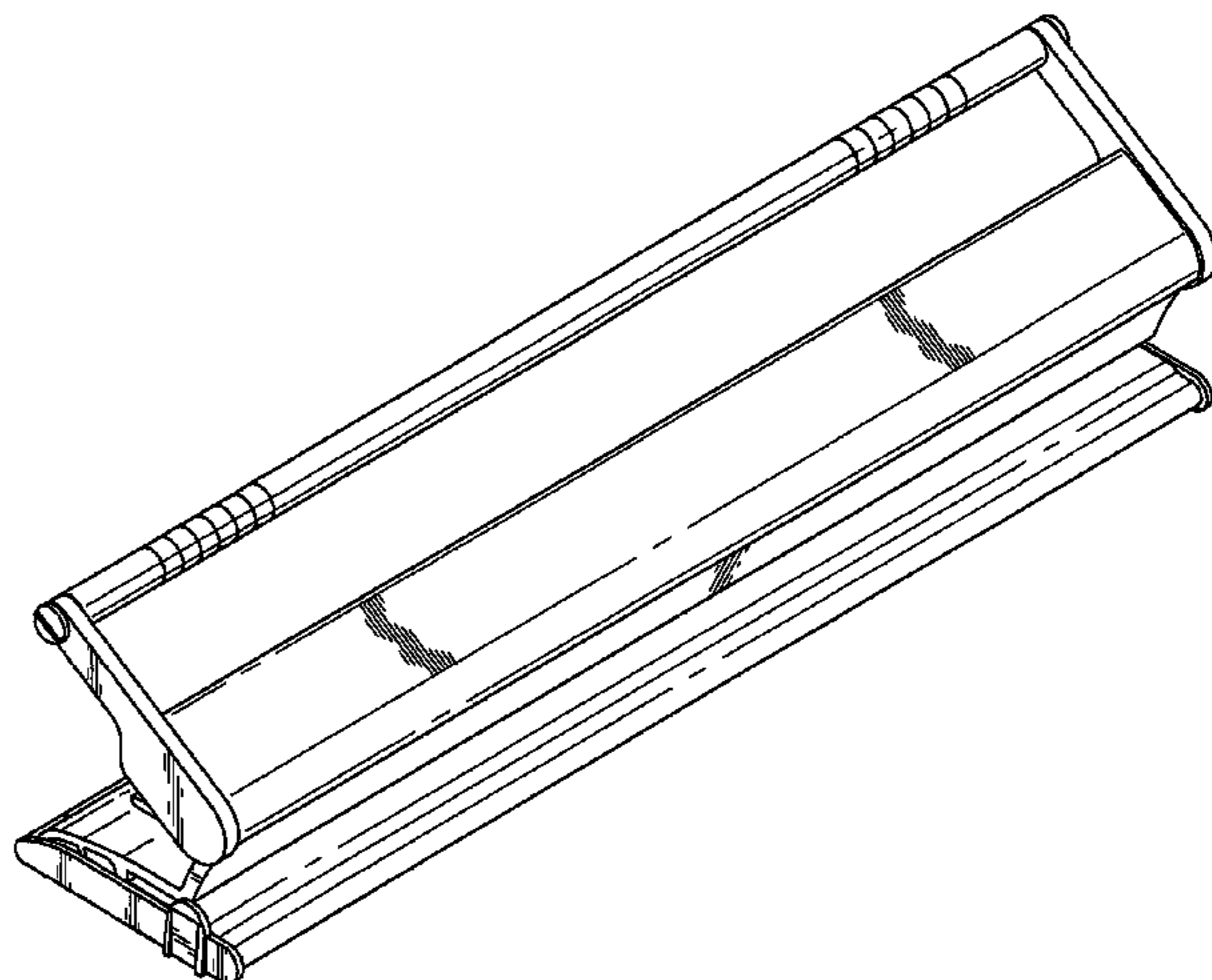
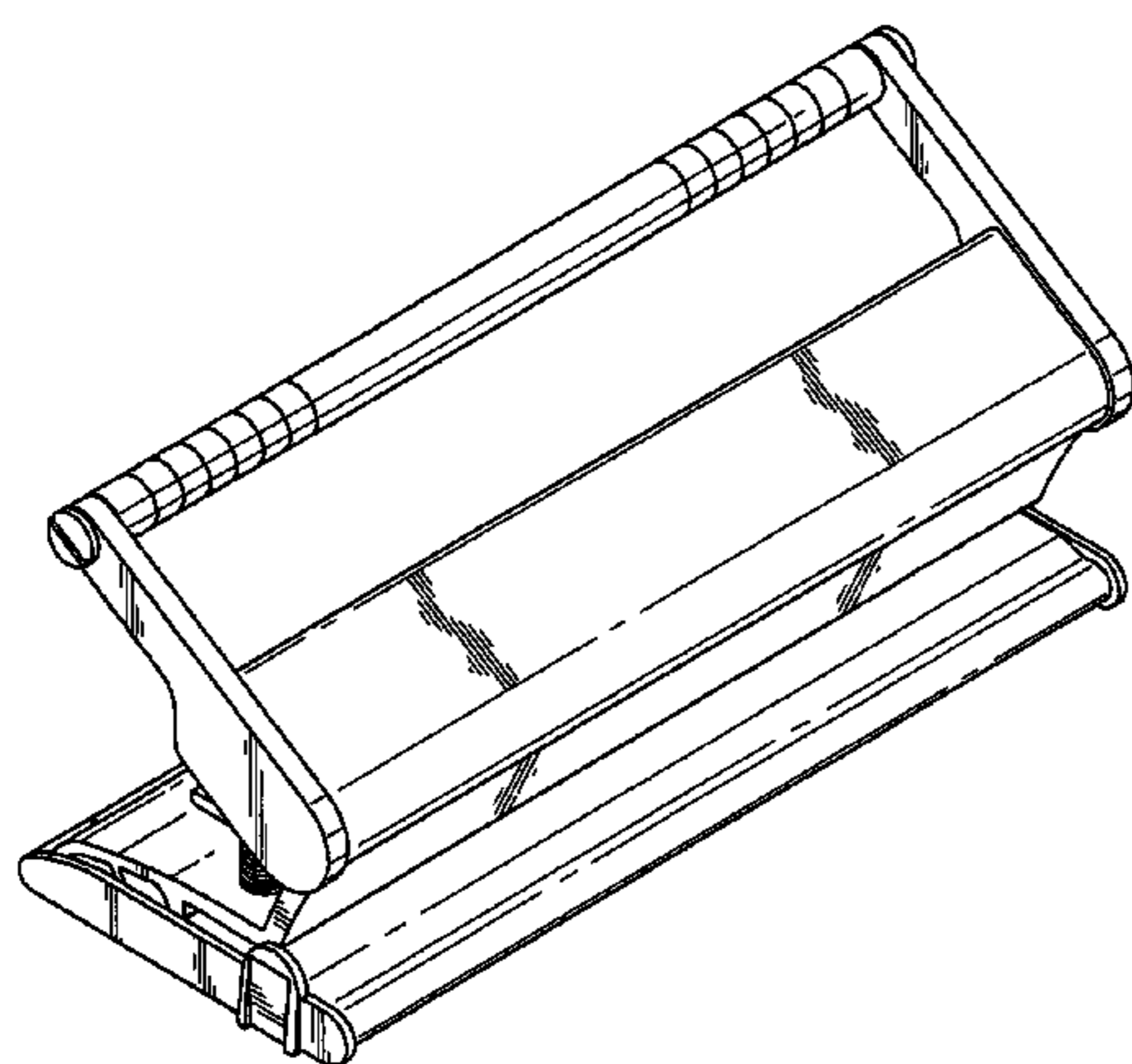
FIG. 13 is a left end elevation view thereof;

FIG. 14 is a right end elevation view thereof; and,

FIG. 15 is a rear elevation view thereof.

The broken lines shown in the drawings represent environmental matter, except for the enclosed broken-line shape in FIGS. 5, 10 and 15, which define the bounds of the claimed design. None of the broken lines form a part of the claimed design.

**1 Claim, 12 Drawing Sheets**



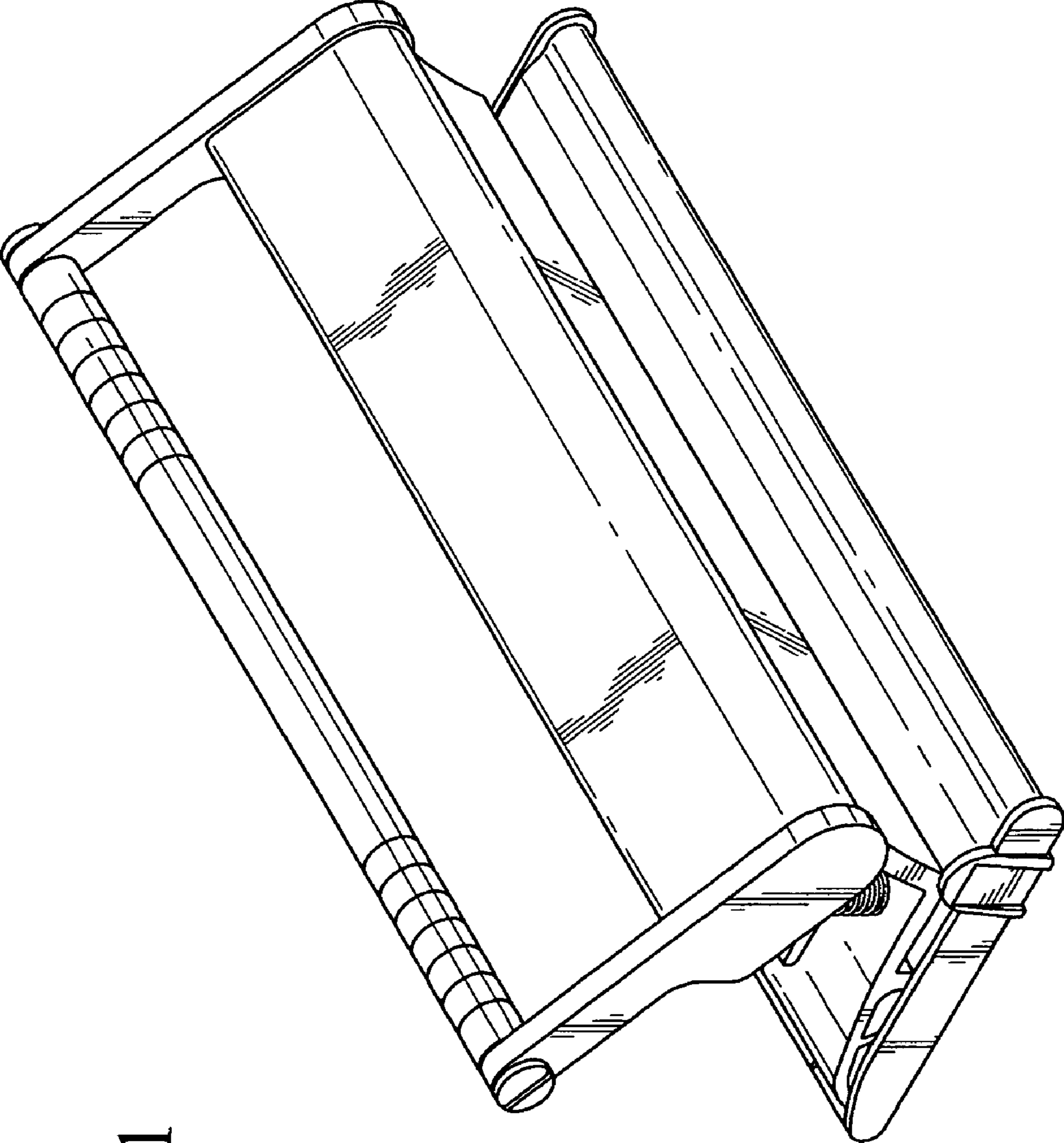


FIG. 1

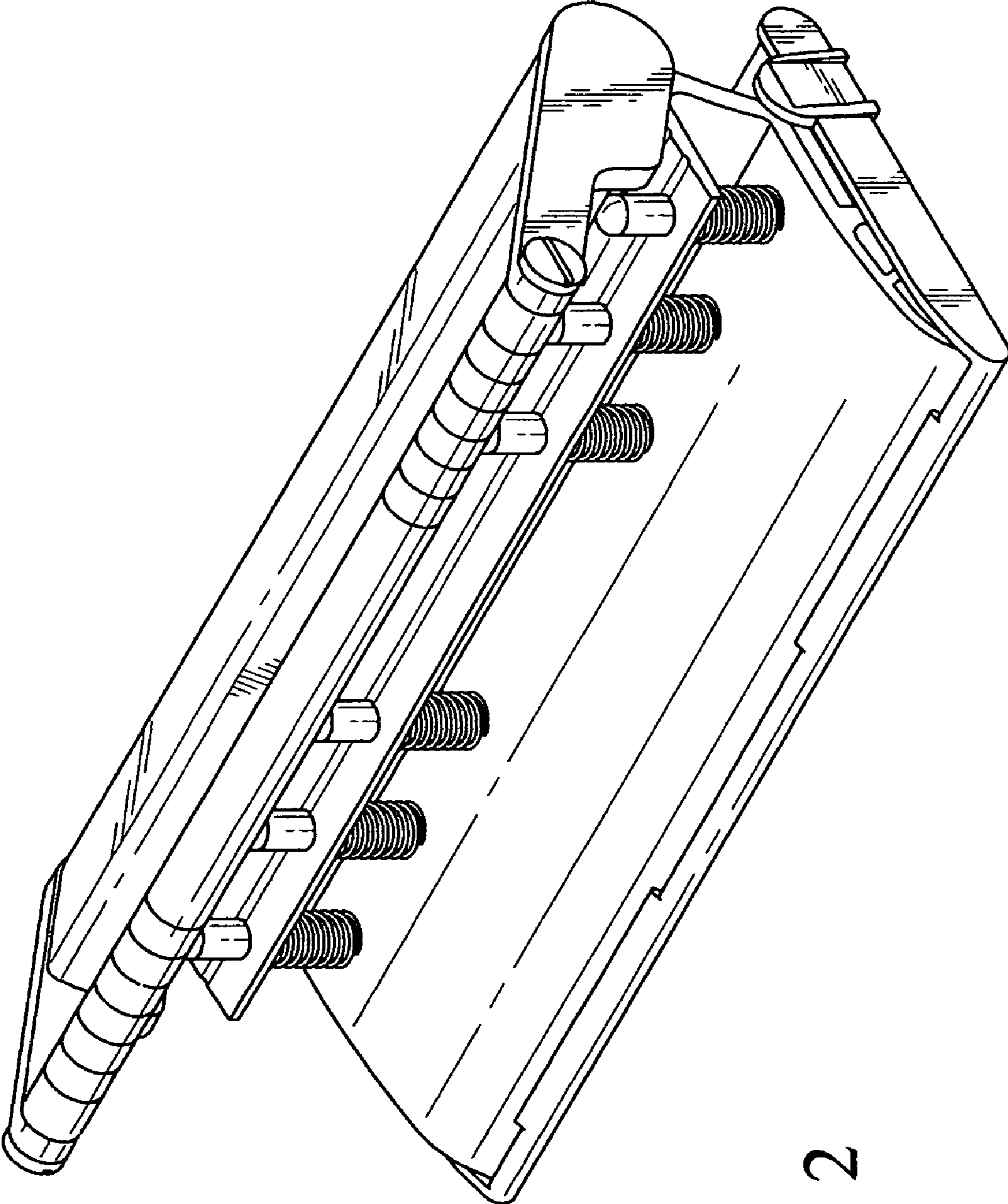


FIG. 2

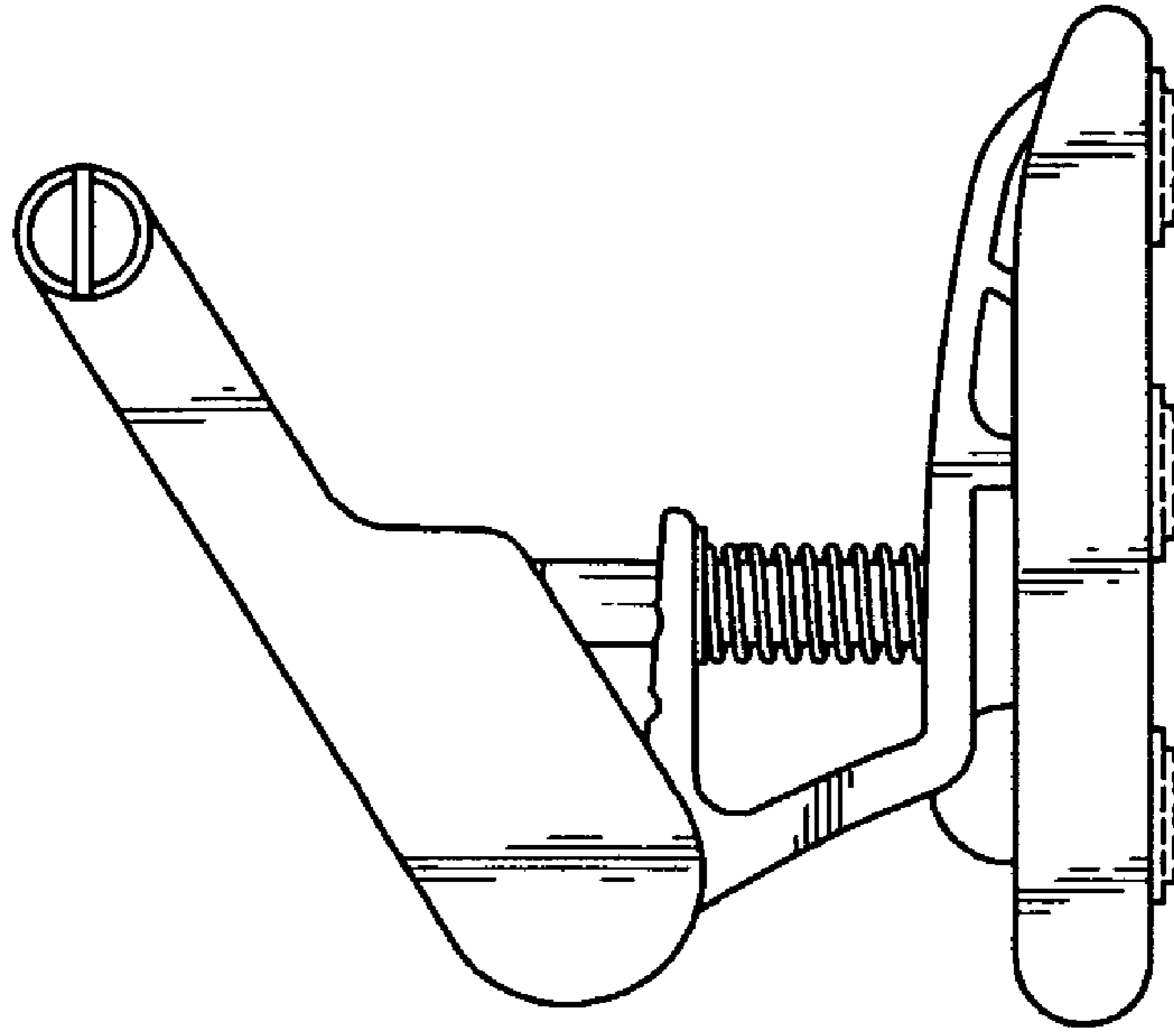


FIG. 4

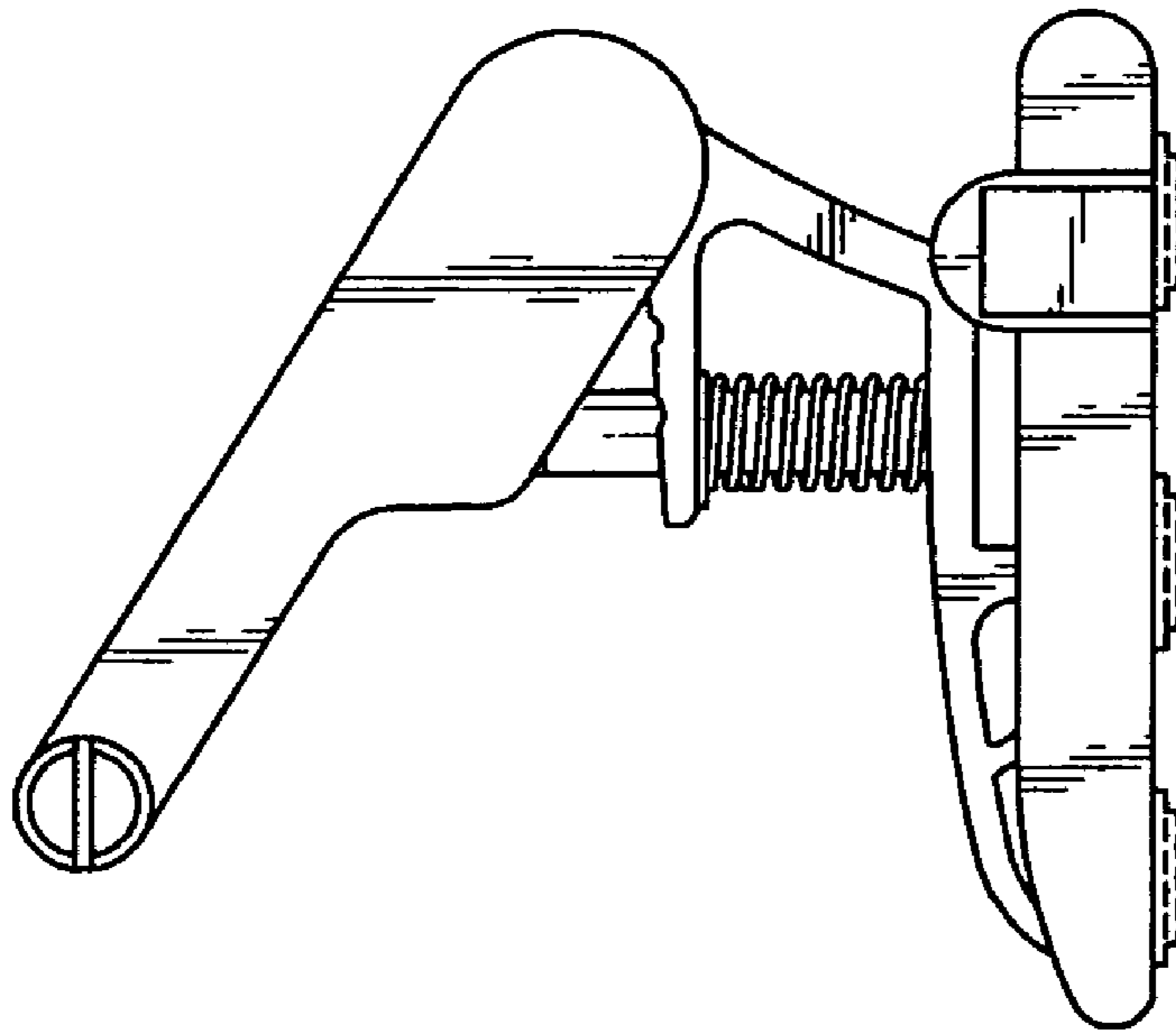


FIG. 3

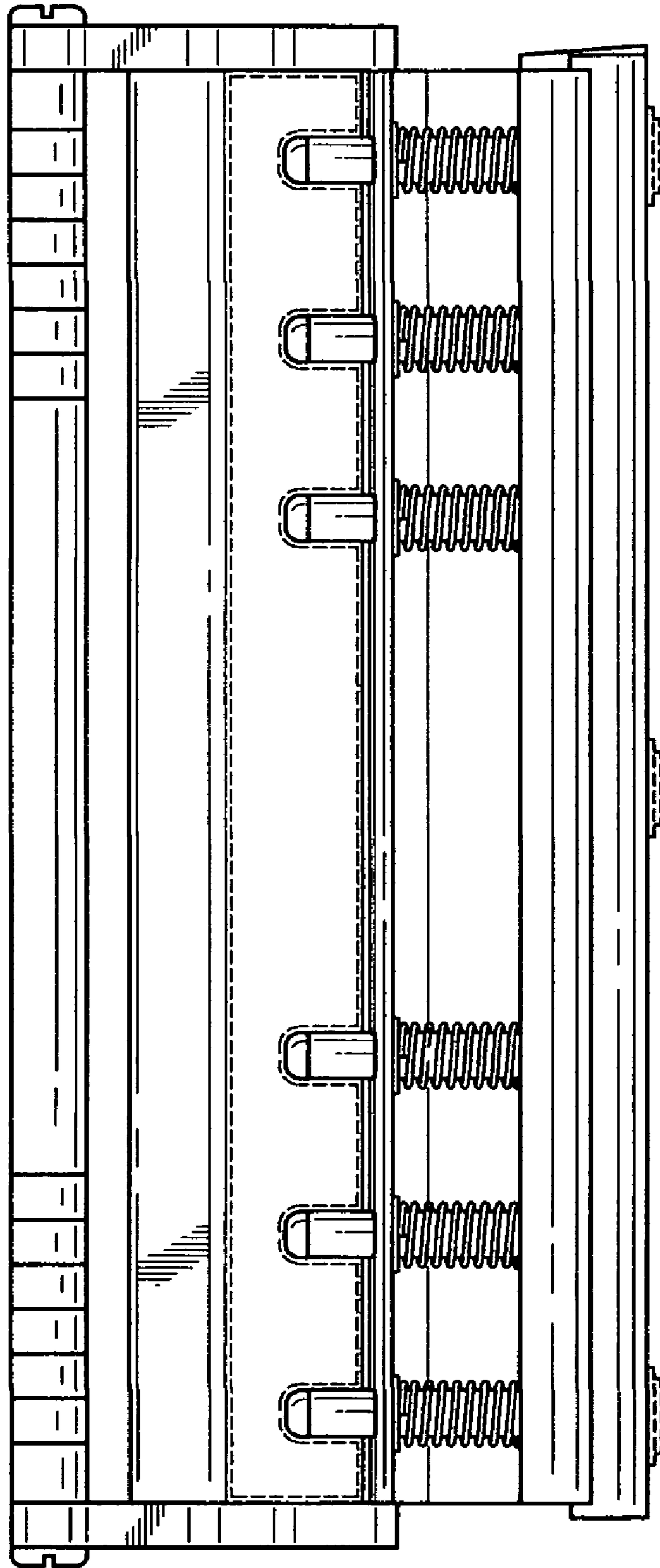


FIG. 5

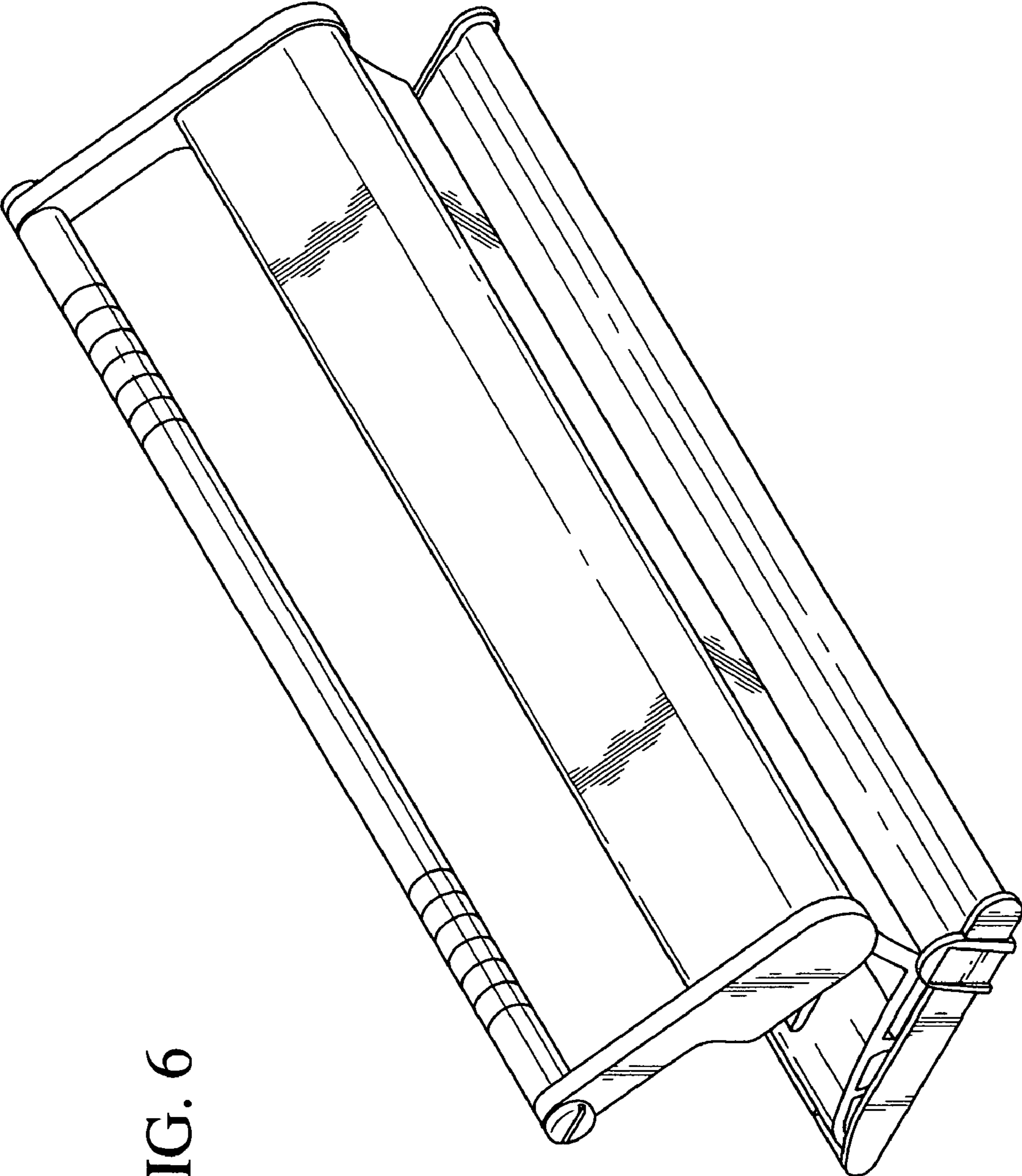


FIG. 6

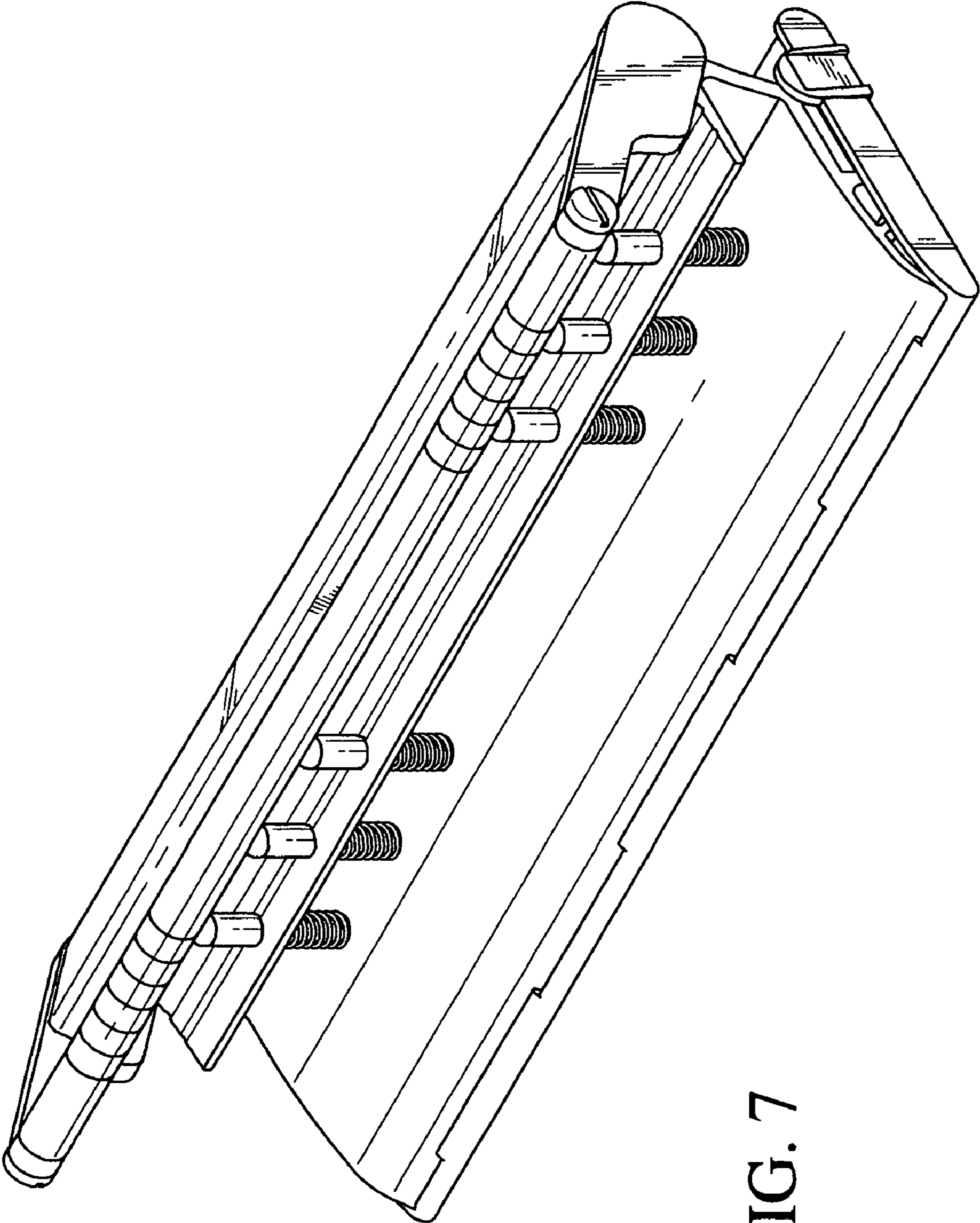


FIG. 7

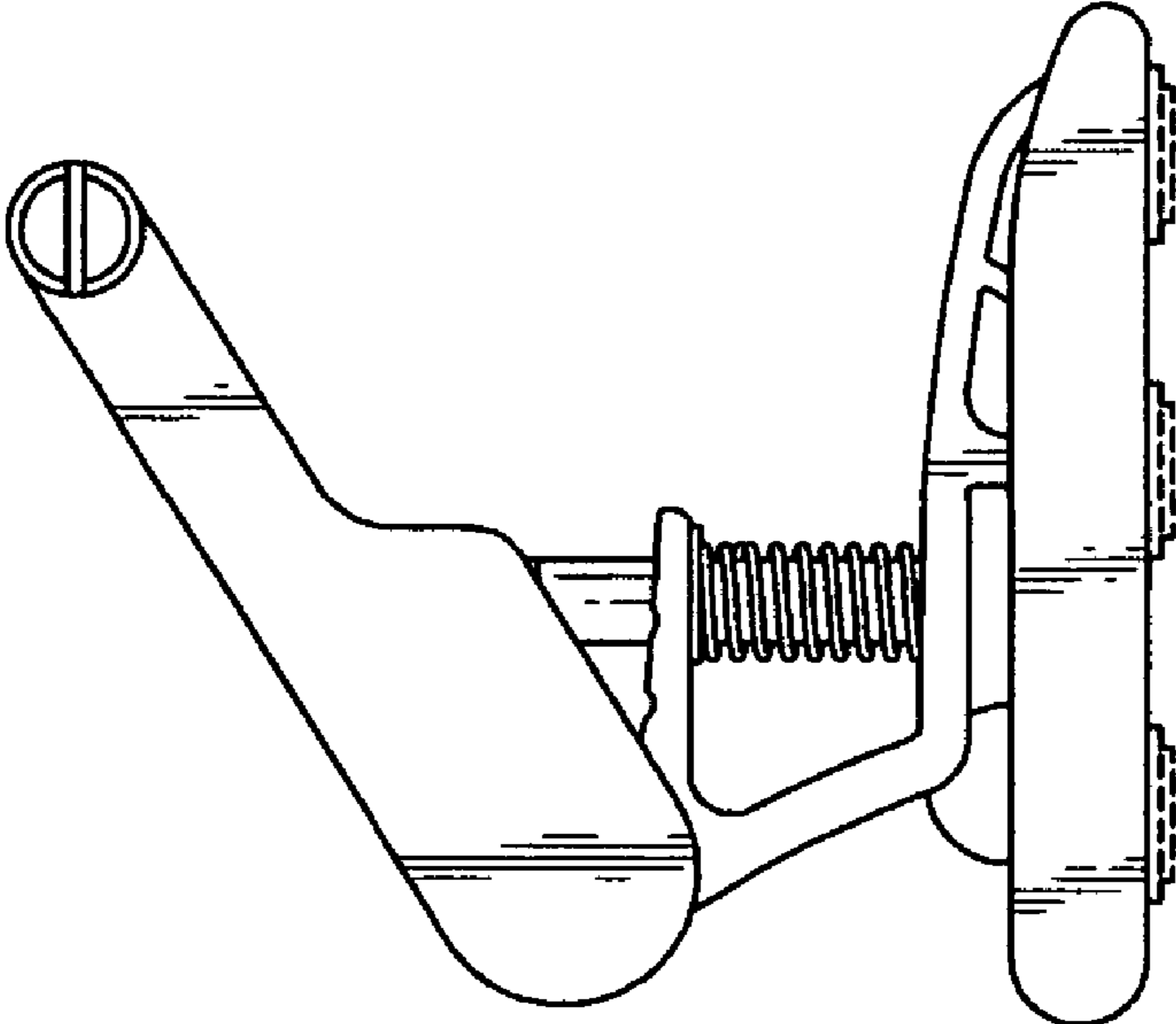


FIG. 9

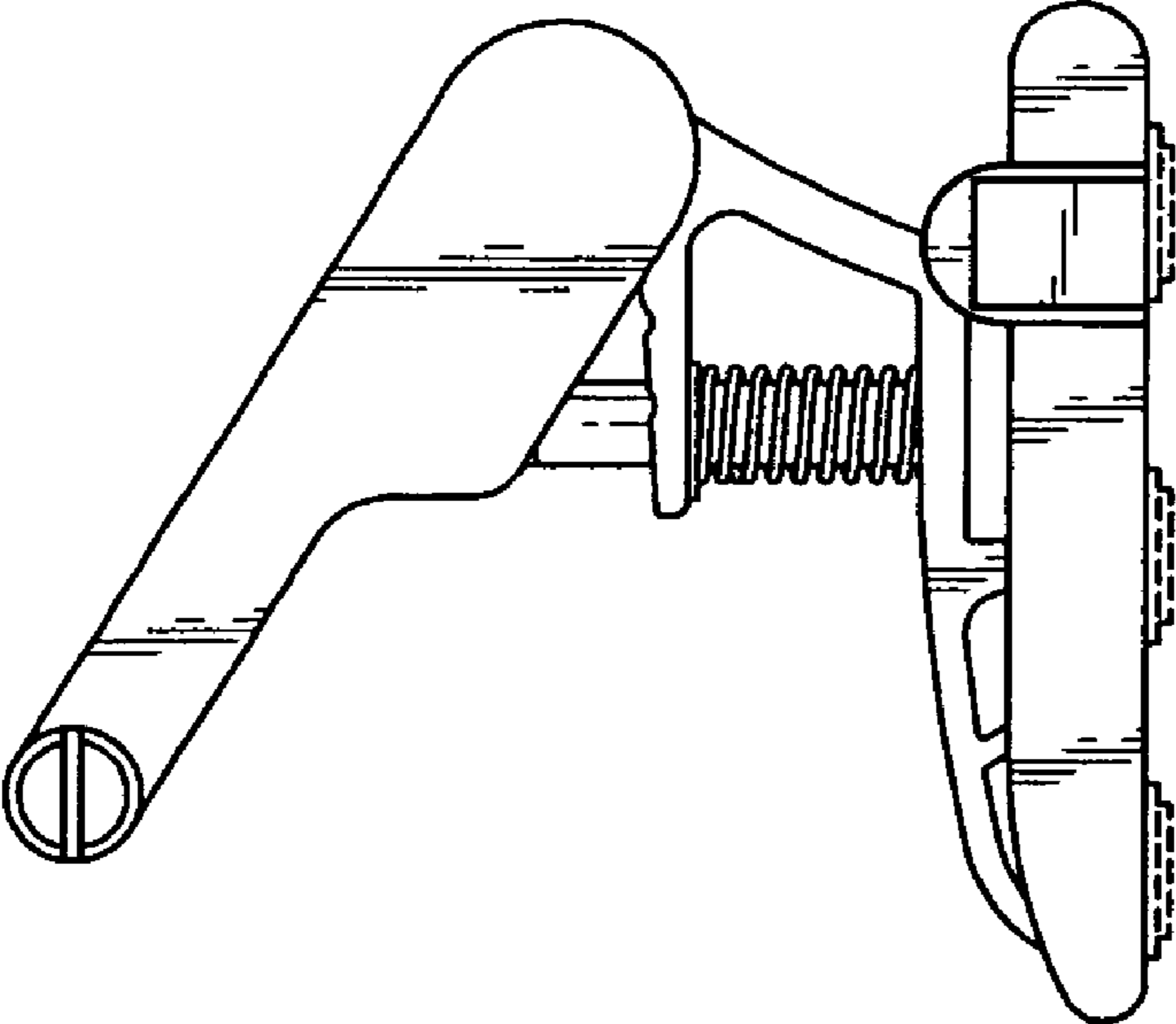


FIG. 8



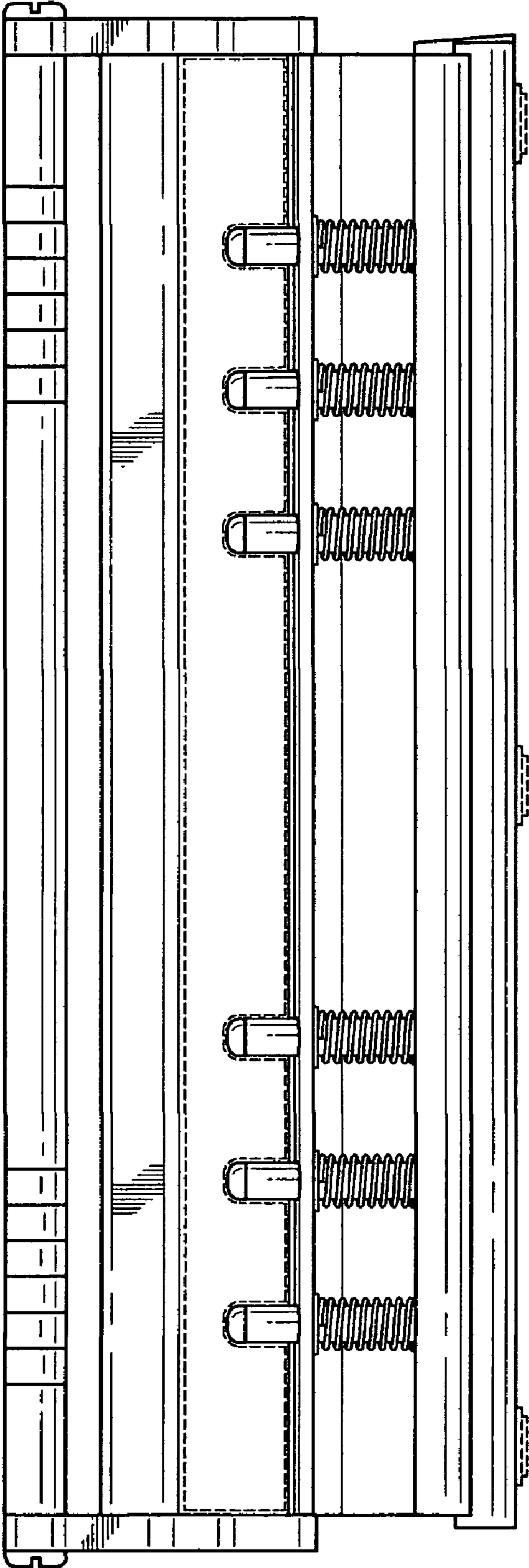


FIG. 10

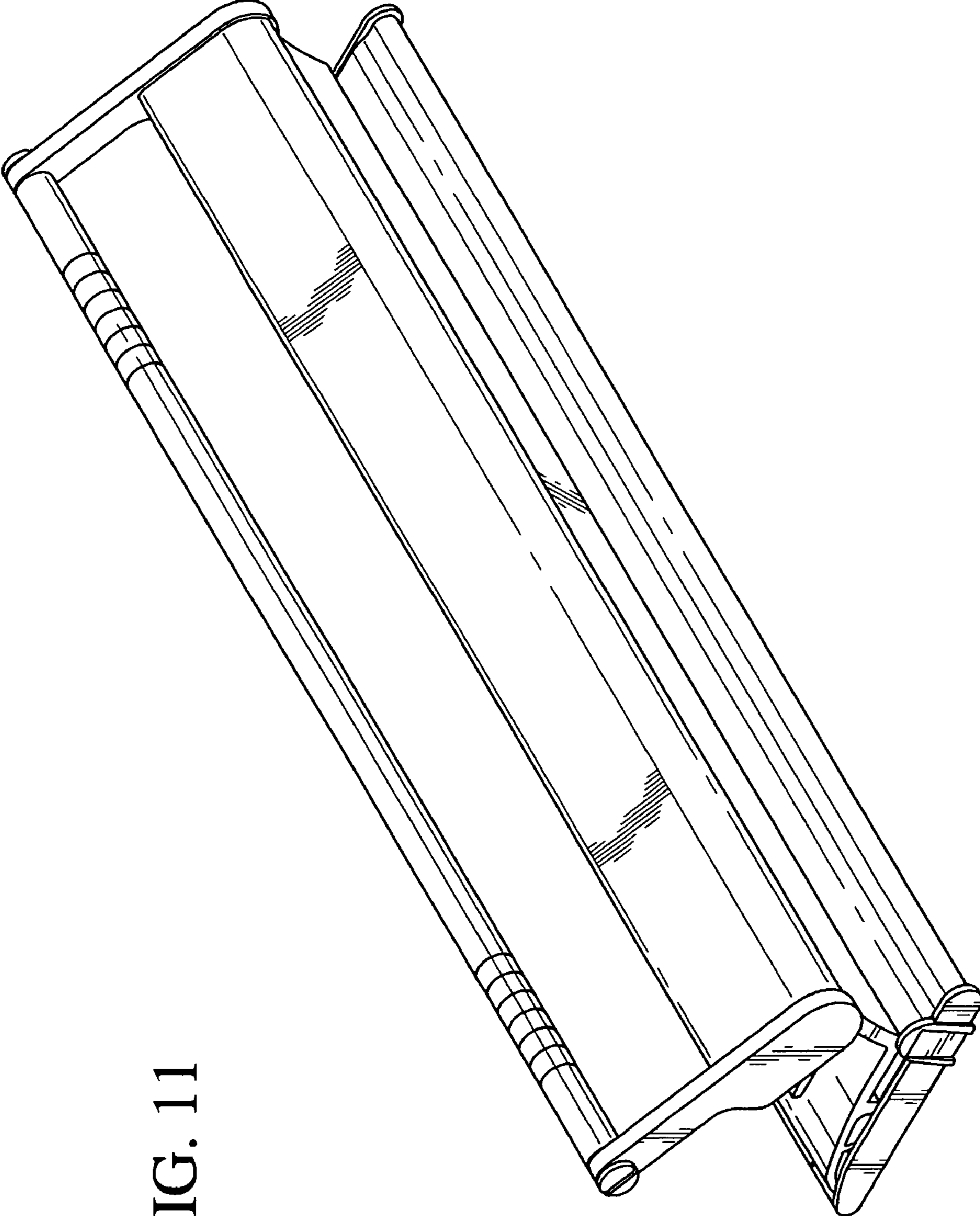


FIG. 11

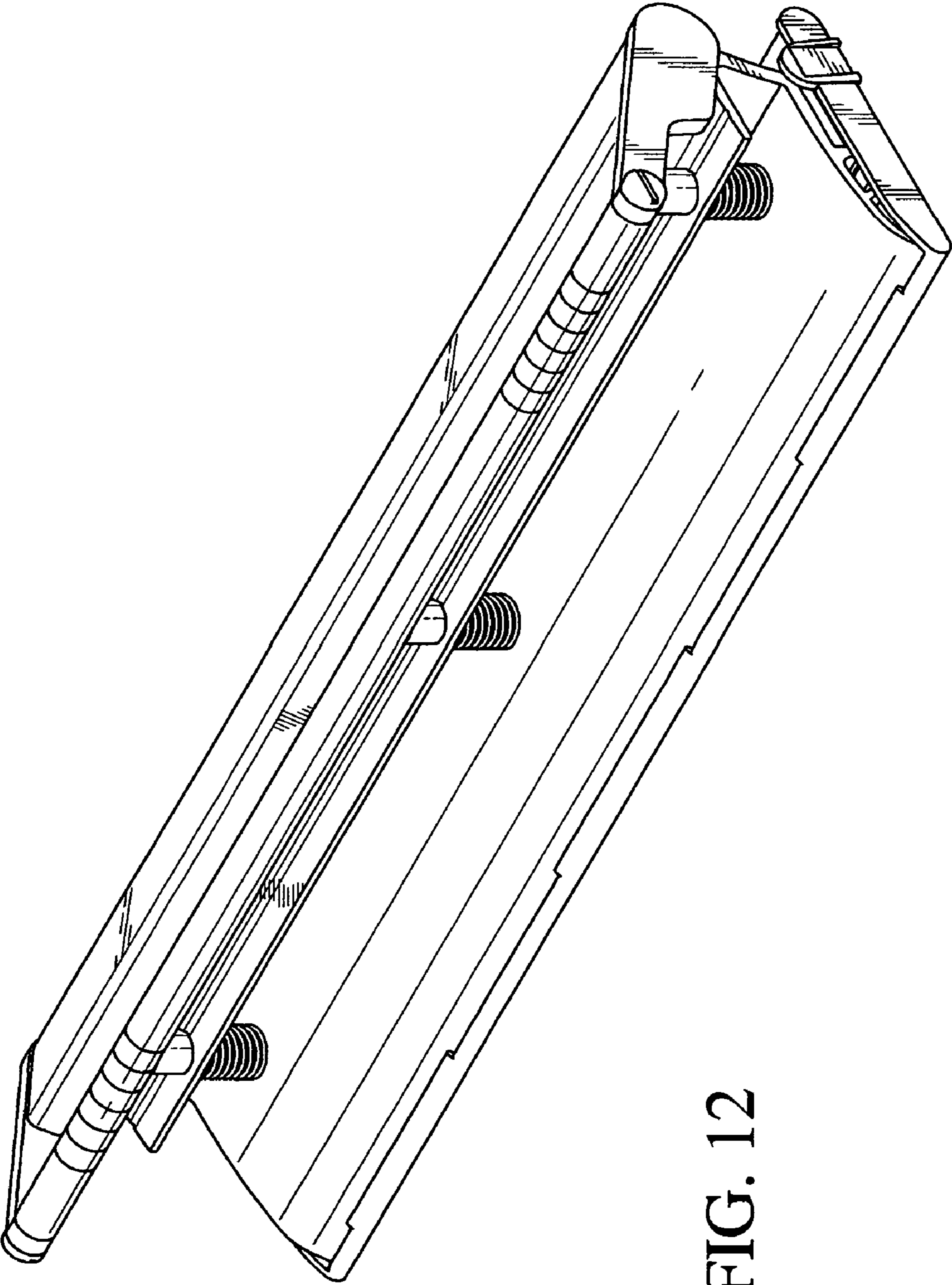


FIG. 12

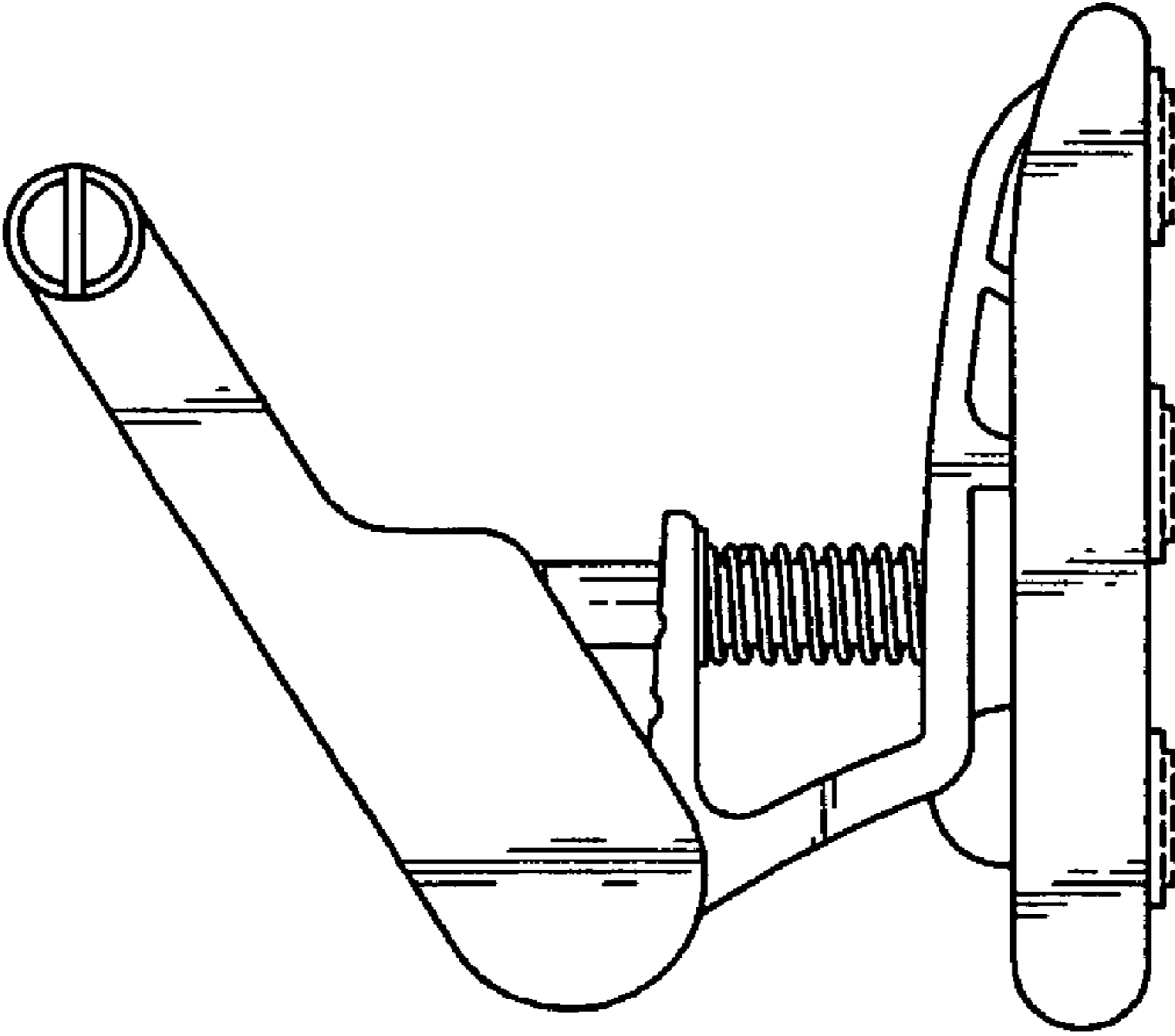


FIG. 13

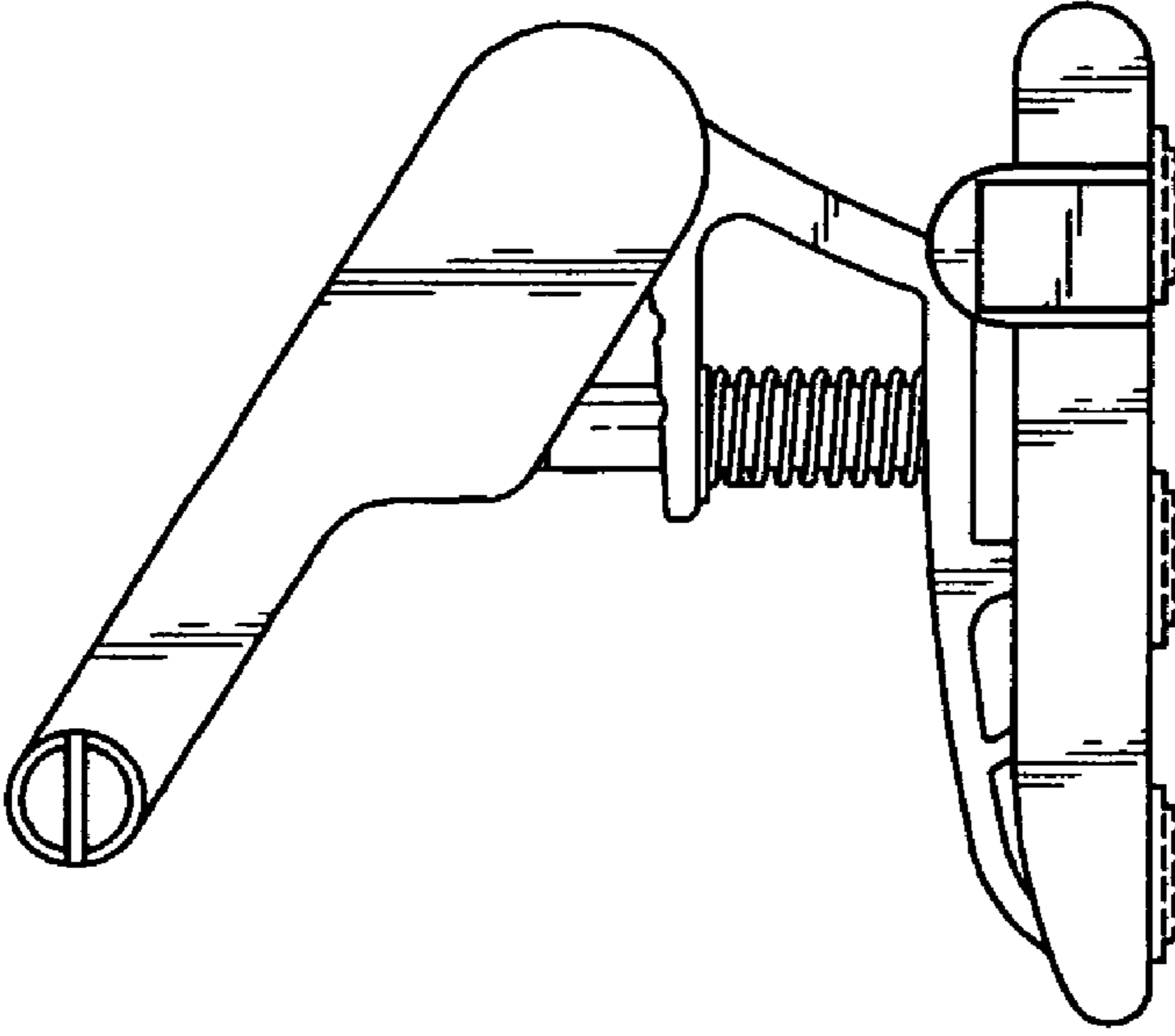


FIG. 14

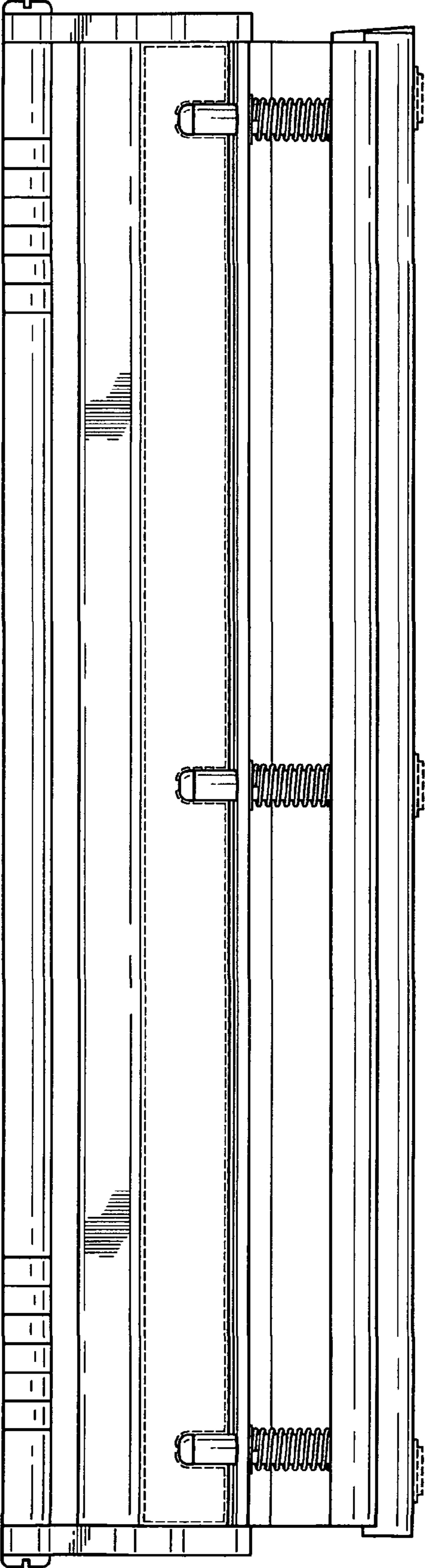


FIG. 15