



US00D632733S

(12) **United States Design Patent**
Mastriano et al.

(10) **Patent No.:** **US D632,733 S**

(45) **Date of Patent:** **** Feb. 15, 2011**

(54) **MAILPIECE TABBER**

(75) Inventors: **Ania Mastriano**, Milford, CT (US);
David H. Brooks, Jr., Wilton, CT (US)

(73) Assignee: **Pitney Bowes Inc.**, Stamford, CT (US)

(**) Term: **14 Years**

(21) Appl. No.: **29/335,903**

(22) Filed: **Apr. 24, 2009**

(51) **LOC (9) Cl.** **18-02**

(52) **U.S. Cl.** **D18/51**

(58) **Field of Classification Search** D18/35.1,
D18/46, 51; D15/199; 454/254; 101/15,
101/47, 53, 49, 4; 346/9-11; 705/401
See application file for complete search history.

(56) **References Cited**

U.S. PATENT DOCUMENTS

1,595,573	A *	8/1926	Phipps	101/49
4,301,507	A *	11/1981	Soderberg et al.	D18/51
D358,415	S *	5/1995	Klein	D18/51
D414,798	S *	10/1999	Brooks et al.	D18/51
D421,453	S *	3/2000	Thraikill et al.	D18/51

D421,454	S *	3/2000	Thraikill et al.	D18/51
D506,777	S *	6/2005	Huebler	D18/51
D509,241	S *	9/2005	Huebler	D18/51
7,672,907	B2 *	3/2010	Morel	705/401

* cited by examiner

Primary Examiner—Charles A Rademaker

(74) *Attorney, Agent, or Firm*—Brian A. Collins; Charles R. Malandra, Jr.

(57) **CLAIM**

The ornamental design for a mailpiece tabber, as shown and described.

DESCRIPTION

FIG. 1 is a top, front and left side perspective view of a mailpiece tabber showing our new design;

FIG. 2 is a front view thereof;

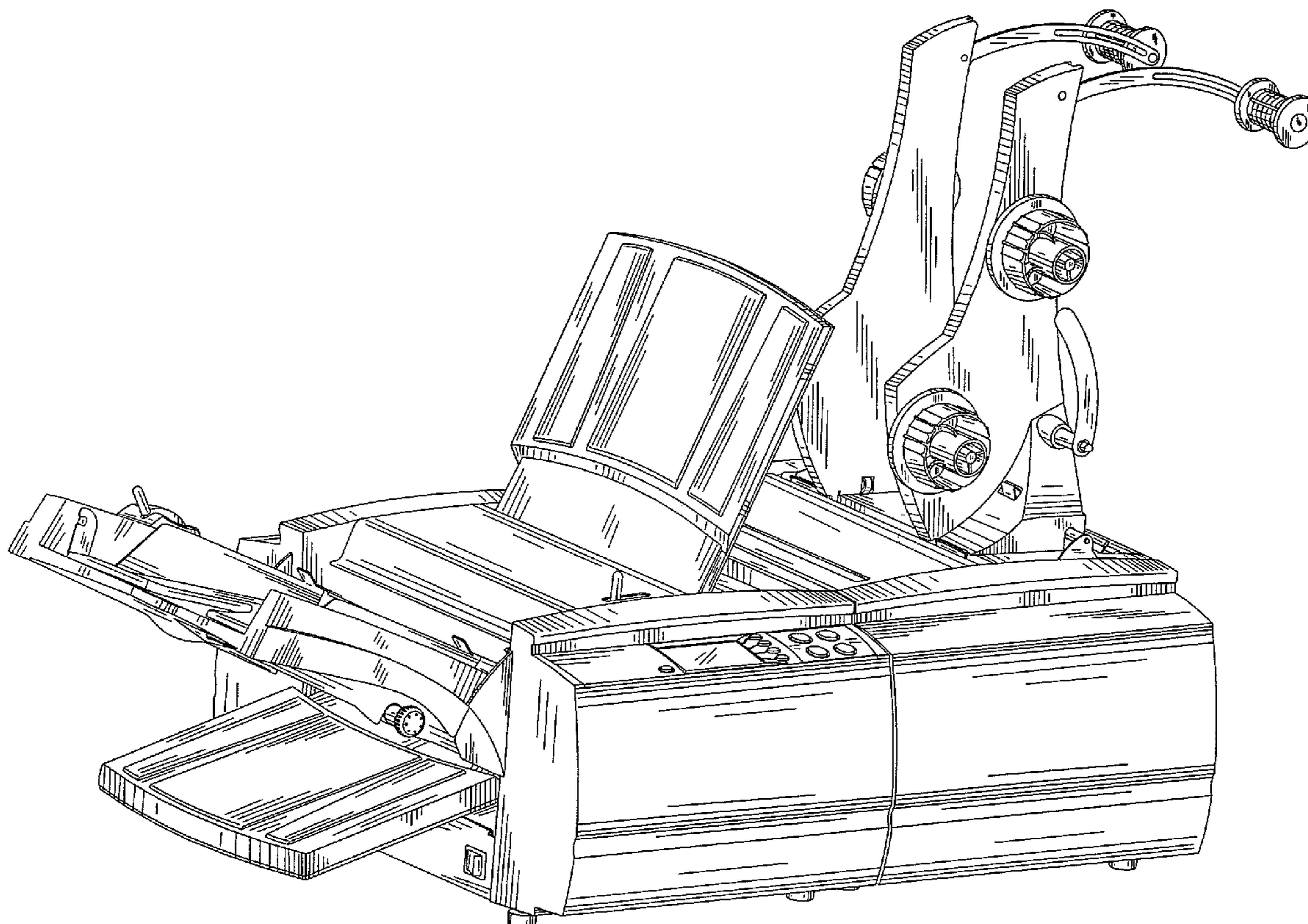
FIG. 3 is a top plan view thereof;

FIG. 4 is a left side view thereof;

FIG. 5 is a right side view thereof; and,

FIG. 6 is a rear view thereof.

1 Claim, 6 Drawing Sheets



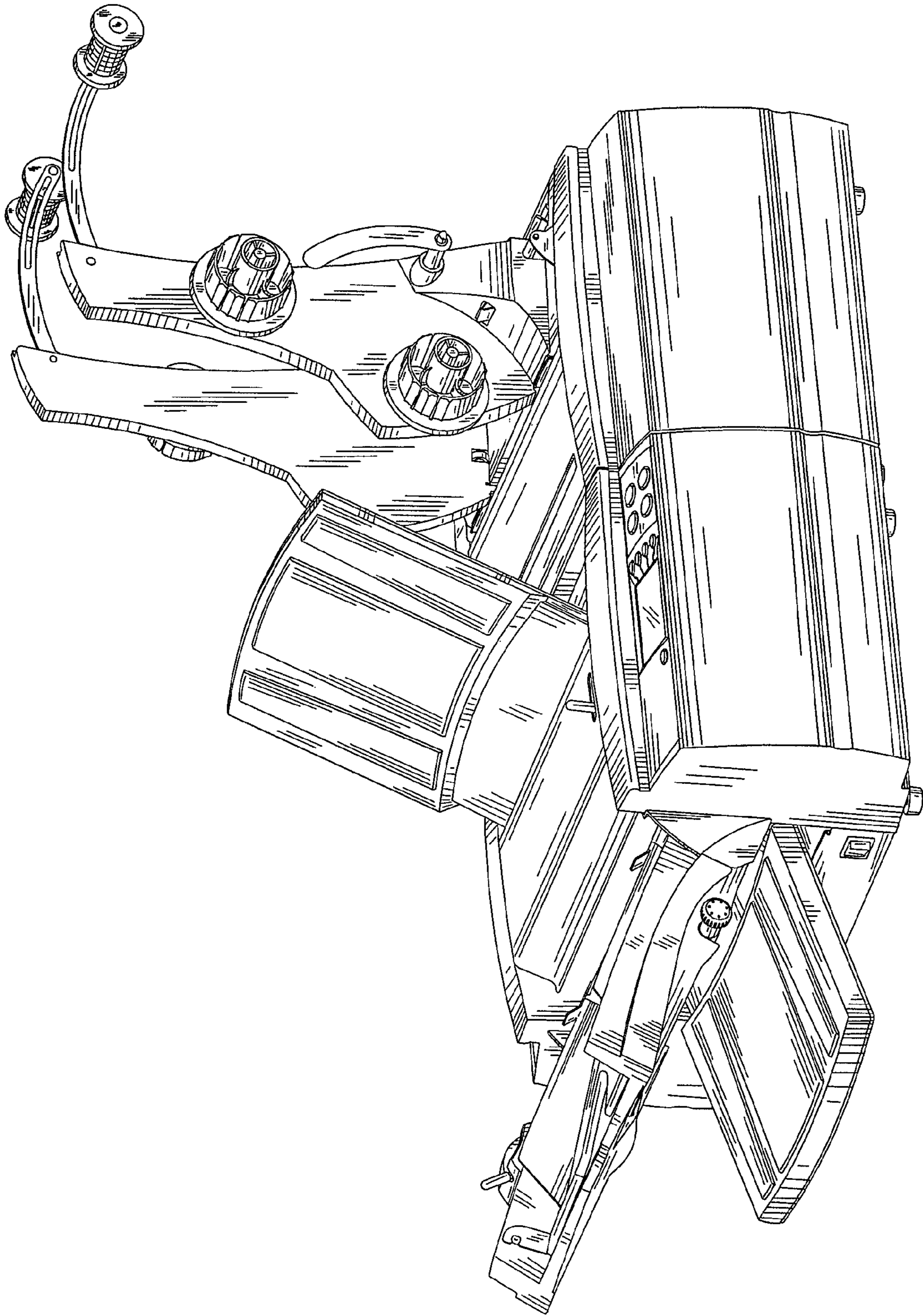


FIG. 1

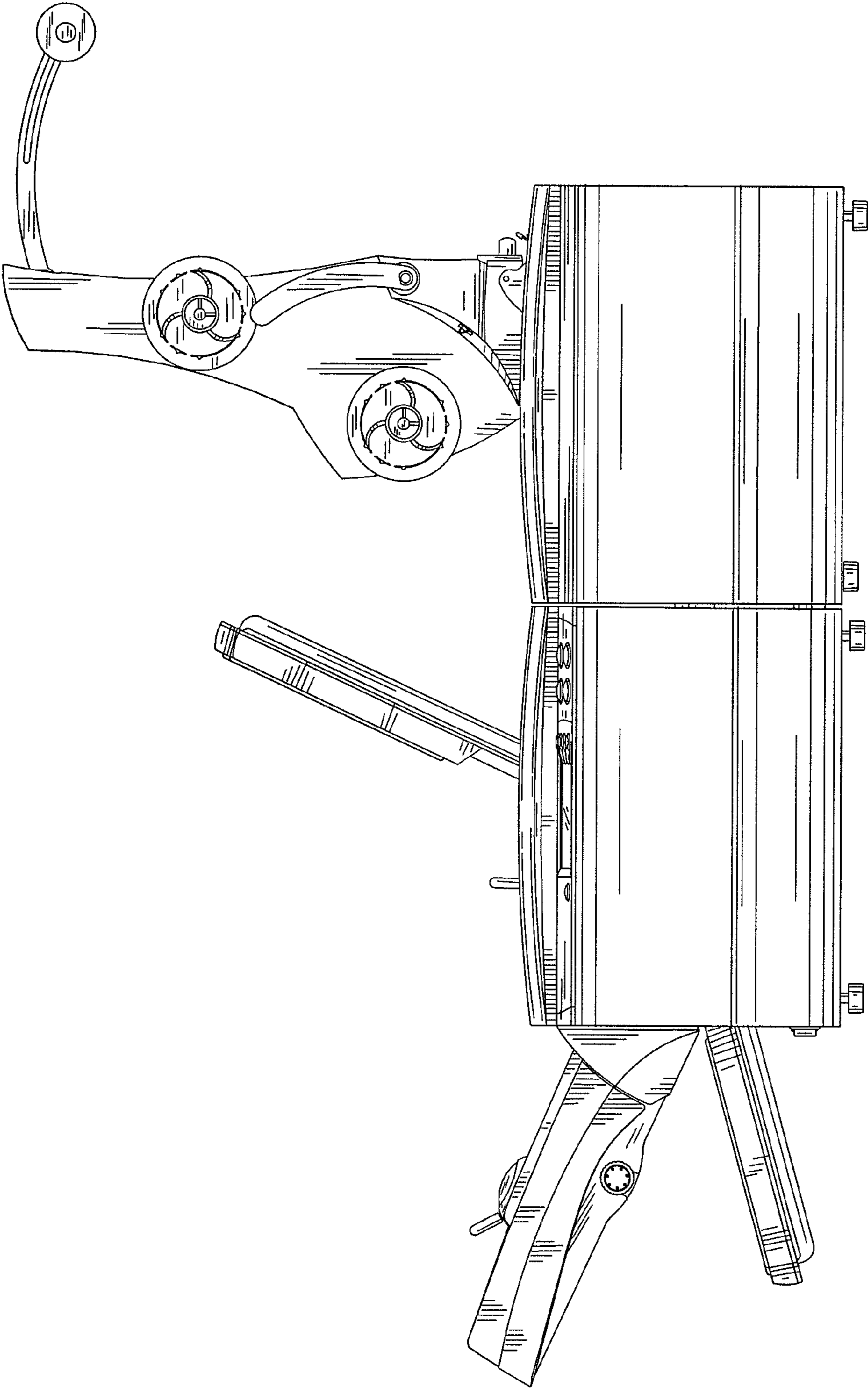


FIG. 2

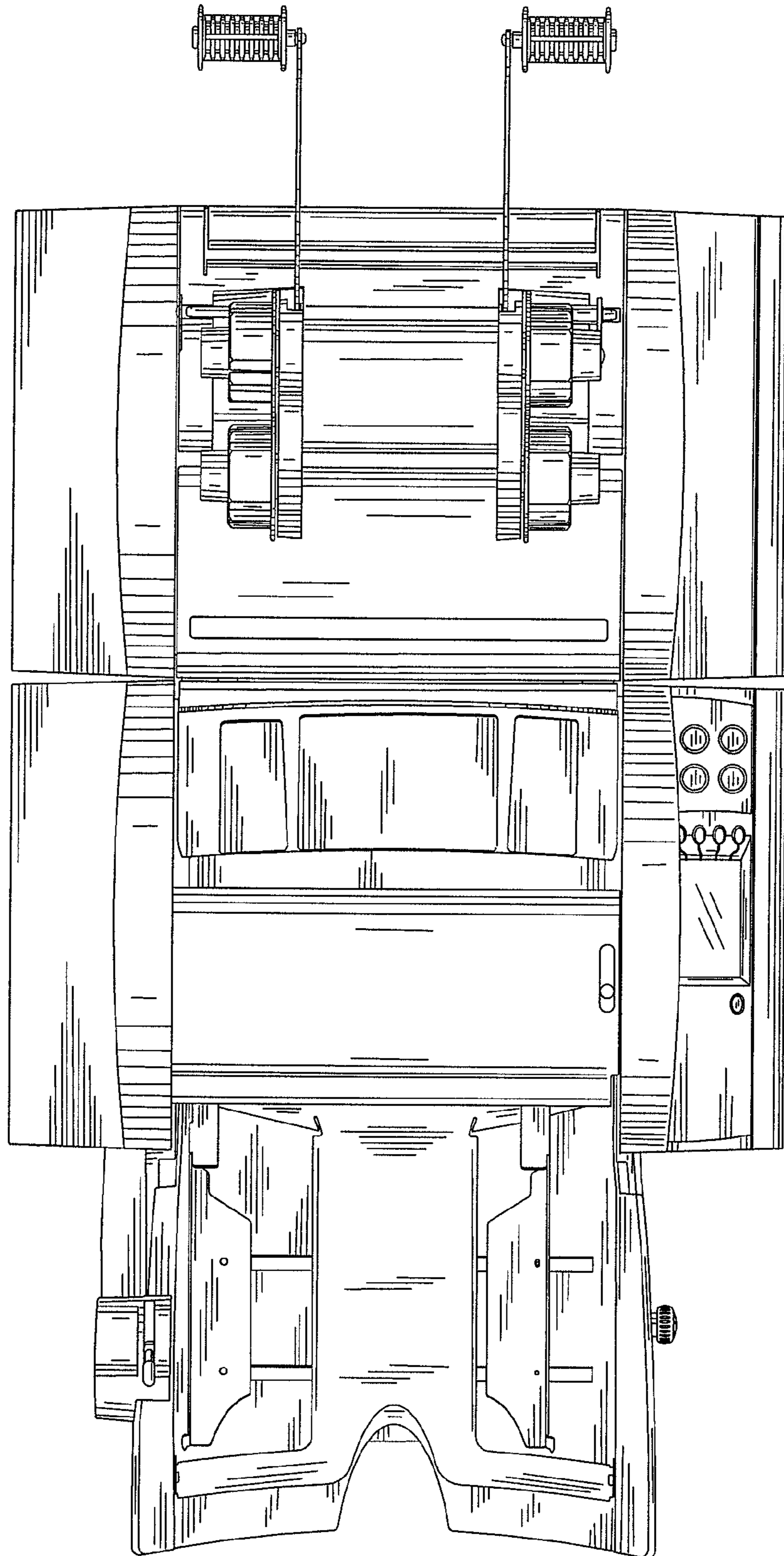


FIG. 3

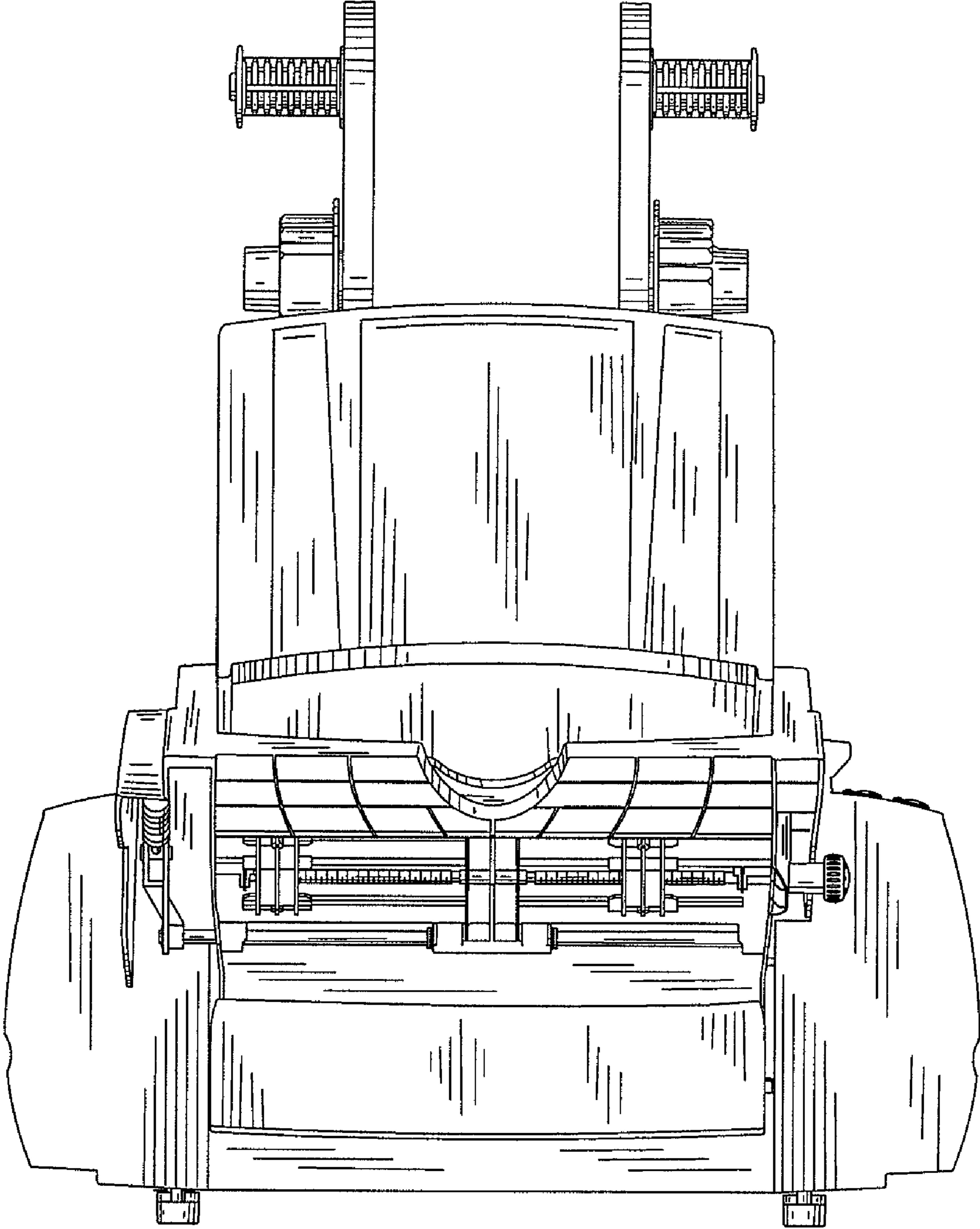


FIG. 4

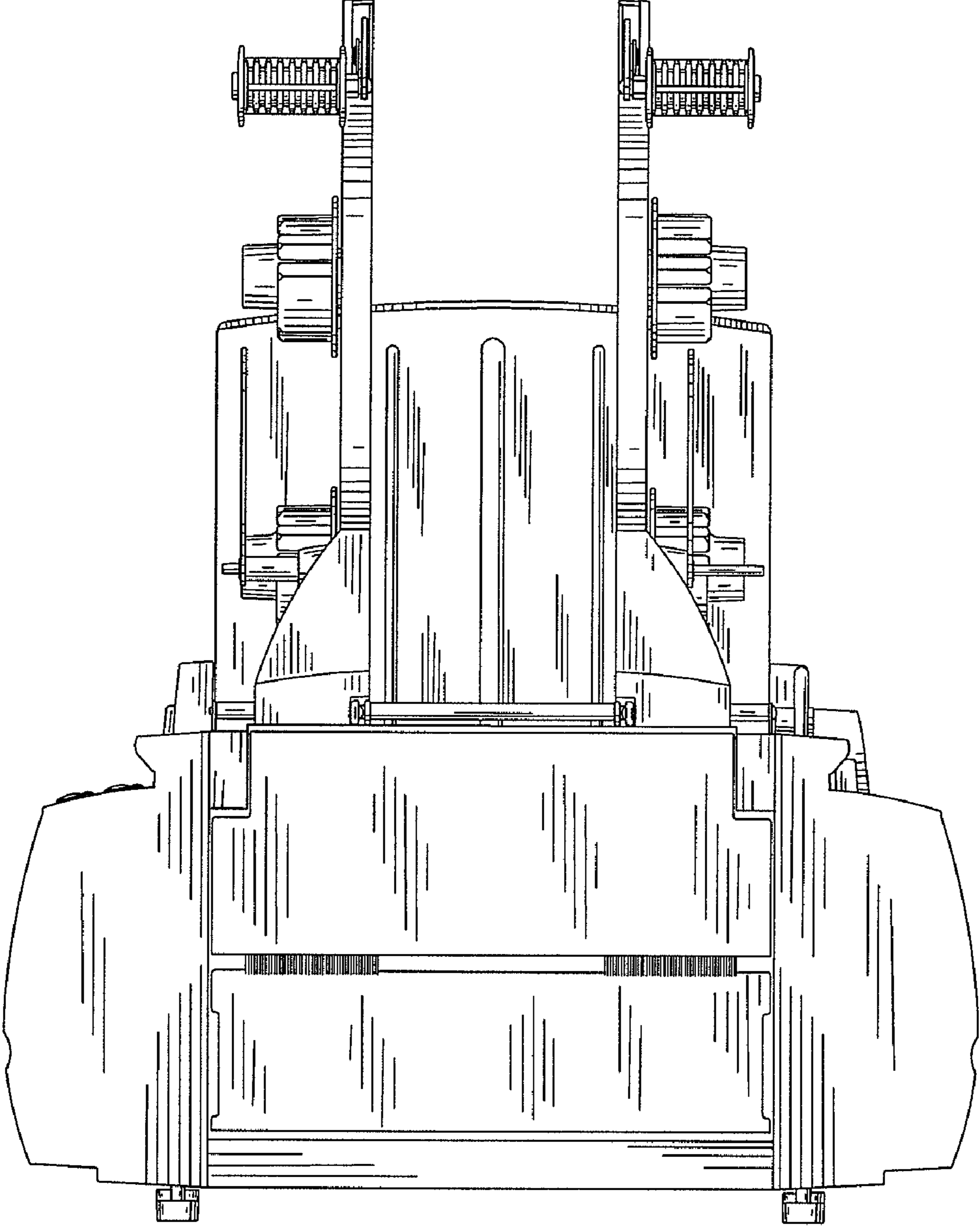


FIG. 5

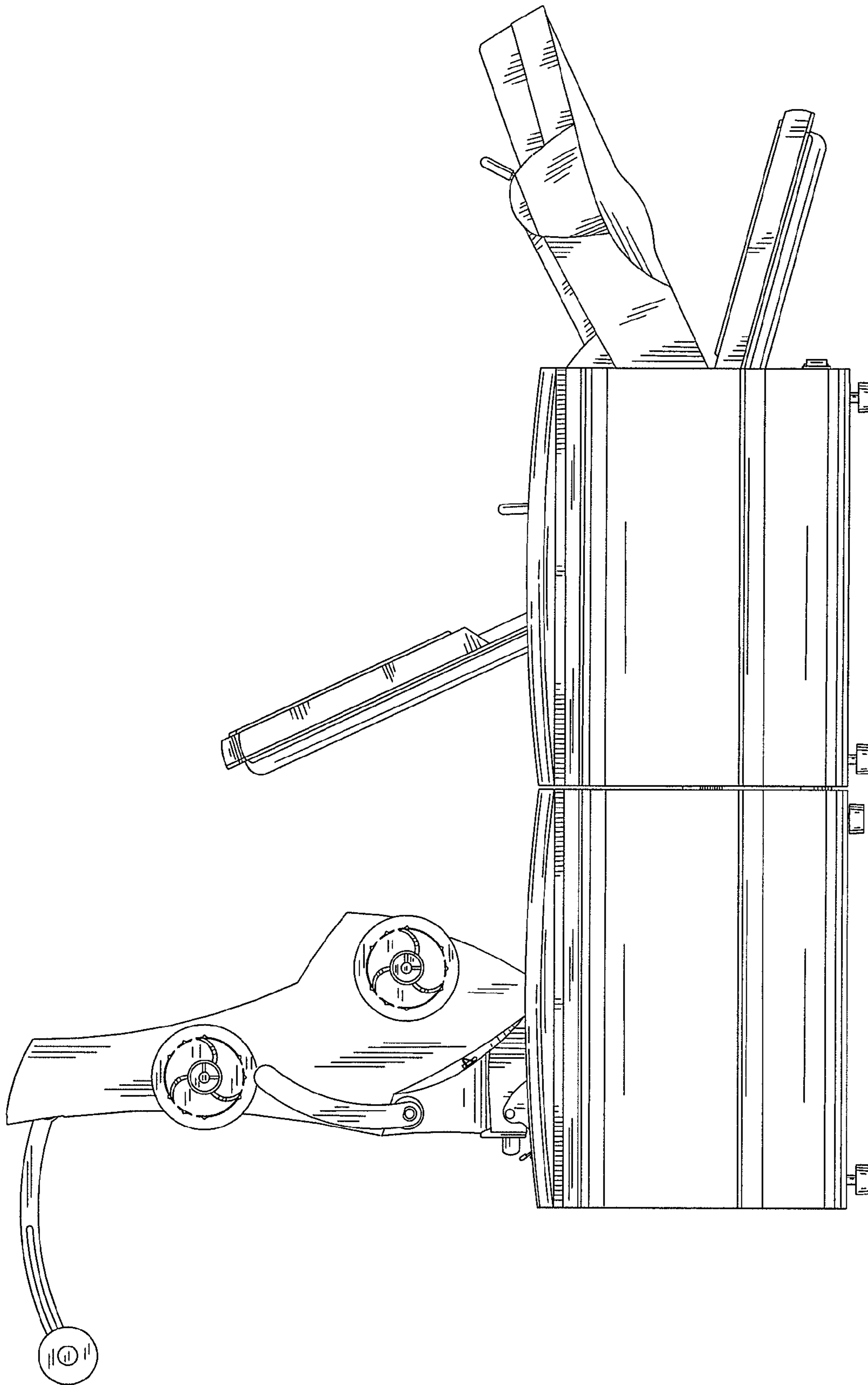


FIG. 6