

US00D632732S

(12) **United States Design Patent**  
**Park et al.**

(10) **Patent No.:** **US D632,732 S**  
(45) **Date of Patent:** **\*\* Feb. 15, 2011**

(54) **LASER COMPLEX**  
(75) Inventors: **Ji-Sang Park**, Kyunggi-do (KR);  
**Chung-Ha Kim**, Seoul (KR)  
(73) Assignee: **Samsung Electronics Co., Ltd.**, Suwon,  
Kyunggi-do (KR)  
(\*\*) Term: **14 Years**  
(21) Appl. No.: **29/316,032**  
(22) Filed: **Aug. 17, 2009**

D561,824 S 2/2008 Park et al.  
D562,378 S 2/2008 Kim et al.  
D573,178 S 7/2008 Lee et al.  
D573,179 S 7/2008 Bae et al.  
D580,483 S 11/2008 Park et al.  
D581,976 S 12/2008 Park et al.  
D584,344 S 1/2009 Lee et al.  
D584,347 S 1/2009 Hong et al.  
D584,348 S 1/2009 Boo et al.  
D586,385 S 2/2009 Kim et al.  
D593,149 S 5/2009 Park et al.  
D601,185 S \* 9/2009 Kim et al. .... D18/50  
D607,050 S \* 12/2009 Iritani .... D18/55

(51) **LOC (9) Cl.** ..... **14-02**  
(52) **U.S. Cl.** ..... **D18/50**  
(58) **Field of Classification Search** ..... D18/36–39,  
D18/50, 54, 54.1, 55; D14/315, 327, 420–425,  
D14/463–470; 400/613, 613.1–613.4, 690,  
400/690.1–690.4, 691–694  
See application file for complete search history.

(Continued)

**OTHER PUBLICATIONS**

U.S. Appl. No. 29/294,097, Applicant: Hee-Yul Kim, et al., filed Dec. 21, 2007 entitled Laser Printer.

(Continued)

*Primary Examiner*—Cathy Anne MacCormac  
(74) *Attorney, Agent, or Firm*—Flynn, Thiel, Boutell & Tanis,  
P.C.

(56) **References Cited**  
U.S. PATENT DOCUMENTS

D326,867 S 6/1992 Kwak  
D328,093 S \* 7/1992 Shimizu et al. .... D18/36  
D359,506 S 6/1995 Lee  
D378,218 S 2/1997 Hong et al.  
D521,061 S \* 5/2006 Katayama et al. .... D18/55  
D526,351 S \* 8/2006 Yamamoto et al. .... D18/55  
D527,045 S 8/2006 Lim et al.  
D530,737 S 10/2006 Lim et al.  
D532,043 S 11/2006 Park et al.  
D534,578 S \* 1/2007 Katayama et al. .... D18/55  
D536,372 S 2/2007 Lim et al.  
D551,700 S 9/2007 Park et al.  
D552,170 S 10/2007 Kim et al.  
D555,195 S 11/2007 Park et al.  
D555,722 S 11/2007 Bae et al.  
D556,253 S 11/2007 Hong et al.  
D556,822 S 12/2007 Hong et al.  
D558,261 S 12/2007 Hong et al.  
D558,262 S 12/2007 Hong et al.  
D558,820 S 1/2008 Hong et al.  
D561,248 S 2/2008 Lee et al.

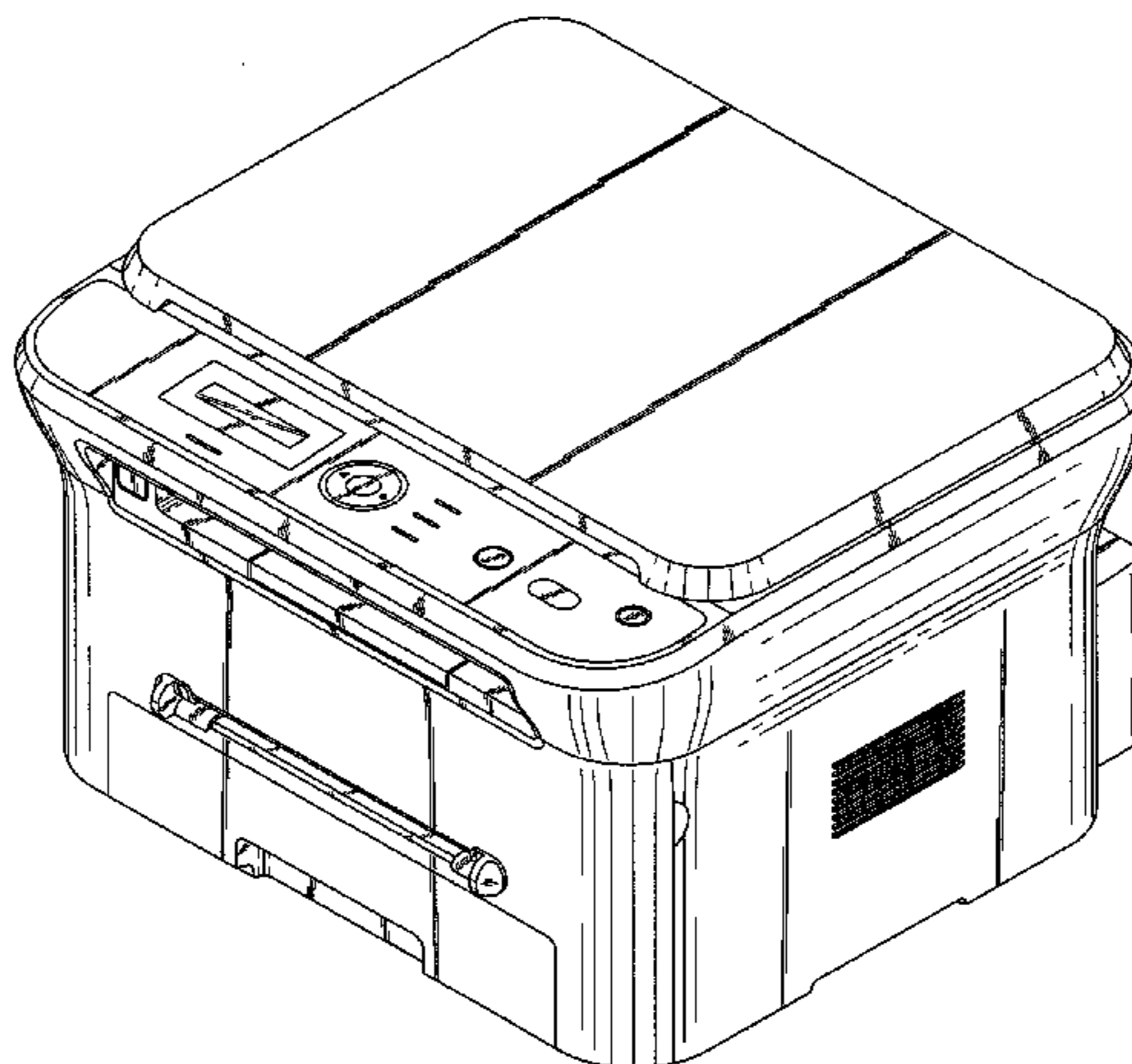
(57) **CLAIM**

The ornamental design for a laser complex, as shown and described.

**DESCRIPTION**

FIG. 1 is a top front perspective view of a laser complex showing our new design;  
FIG. 2 is a front elevational view thereof;  
FIG. 3 is a rear elevational view thereof;  
FIG. 4 is a left side elevational view thereof;  
FIG. 5 is a right side elevational view thereof;  
FIG. 6 is a top plan view thereof; and,  
FIG. 7 is a bottom plan view thereof.

**1 Claim, 5 Drawing Sheets**



U.S. PATENT DOCUMENTS

D616,927 S \* 6/2010 Suzuki et al. .... D18/55  
D624,956 S \* 10/2010 Park et al. .... D18/39  
D624,957 S \* 10/2010 Park et al. .... D18/39

OTHER PUBLICATIONS

U.S. Appl. No. 29/307,999, Applicant: Son-Young Lee, et al., filed May 22, 2008 entitled Laser Printer.  
U.S. Appl. No. 29/308,001, Applicant: Kyong-Hwan Kim, et al., filed May 22, 2008 entitled Color Laser Printer.  
U.S. Appl. No. 29/308,018, Applicant: Kyong-Hwan Kim, et al., filed May 22, 2008 entitled Laser Printer.  
U.S. Appl. No. 29/308,000, Applicant: Kyong-Hwan Kim, et al., filed May 22, 2008 entitled Laser Printer.  
U.S. Appl. No. 29/310,435, Applicant: Jasper Morrison, et al., filed Aug. 15, 2008 entitled Color Laser Printer.

U.S. Appl. No. 29/313,583, Applicant: Jong-Kyu Kim, et al., filed Jan. 23, 2009 entitled Copy Machine Attached by Function of Scanner and Printer.

U.S. Appl. No. 29/313,861, Applicant: Hee-Yul Kim, filed Feb. 17, 2009 entitled Copy Machine by Function of Scanner and Printer.

U.S. Appl. No. 29/314,206, Applicant: Ji-Sang Park, et al., filed Mar. 13, 2009 entitled Laser Printer.

U.S. Appl. No. 29/314,647, Applicant: Ji-Sang Park, et al., filed Apr. 15, 2009 entitled Laser Complex.

U.S. Appl. No. 29/314,642, Applicant: Ji-Sang Park, filed Apr. 15, 2009 entitled Laser Printer.

U.S. Appl. No. 29/315,577, Applicant: Hoon-Tae Kim, et al., filed Jul. 7, 2009 entitled Printer.

U.S. Appl. No. 29/316,030, Applicant: Ji-Sang Park, et al., filed Aug. 17, 2009 entitled Laser Complex.

\* cited by examiner

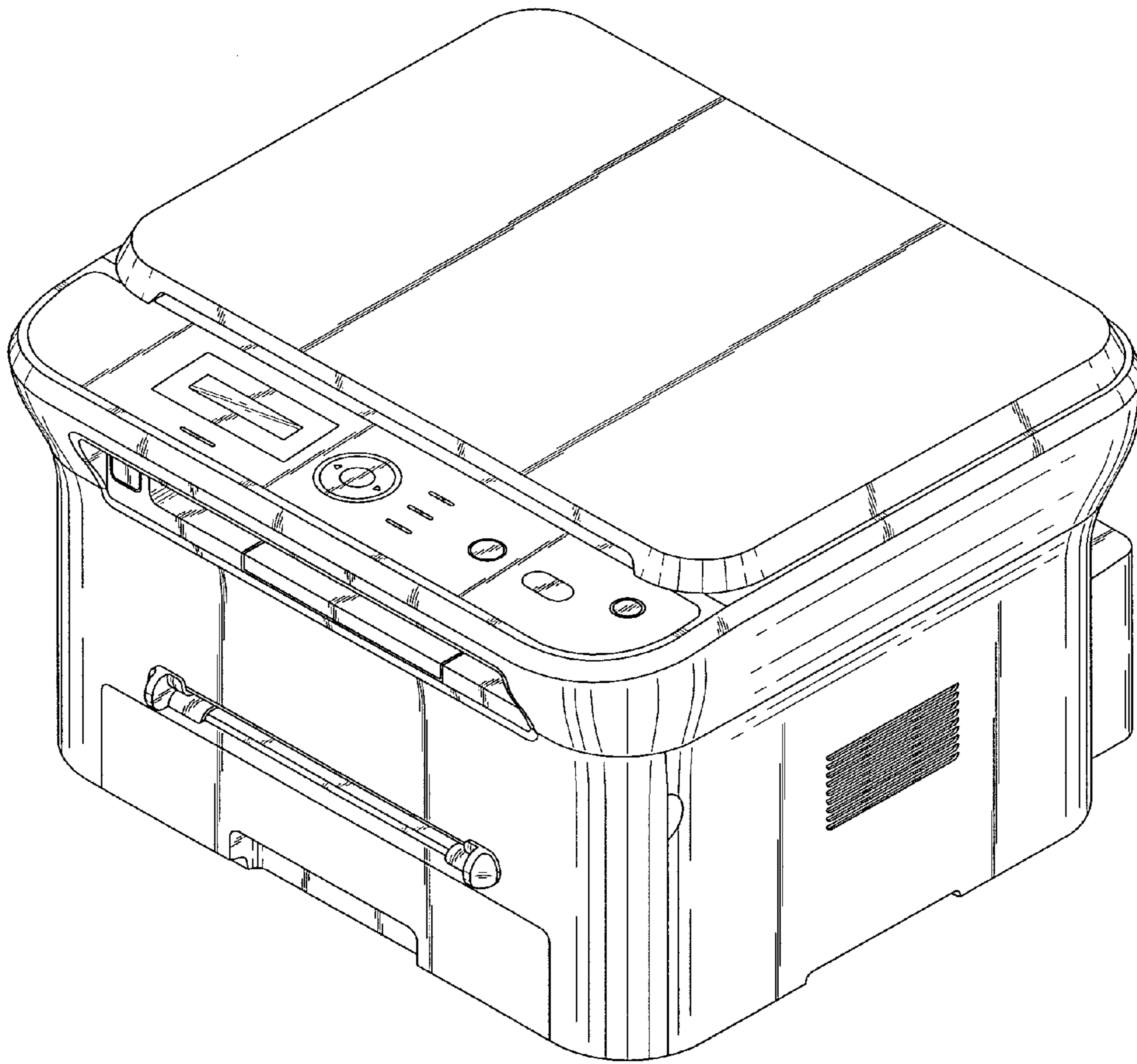


FIG. 1

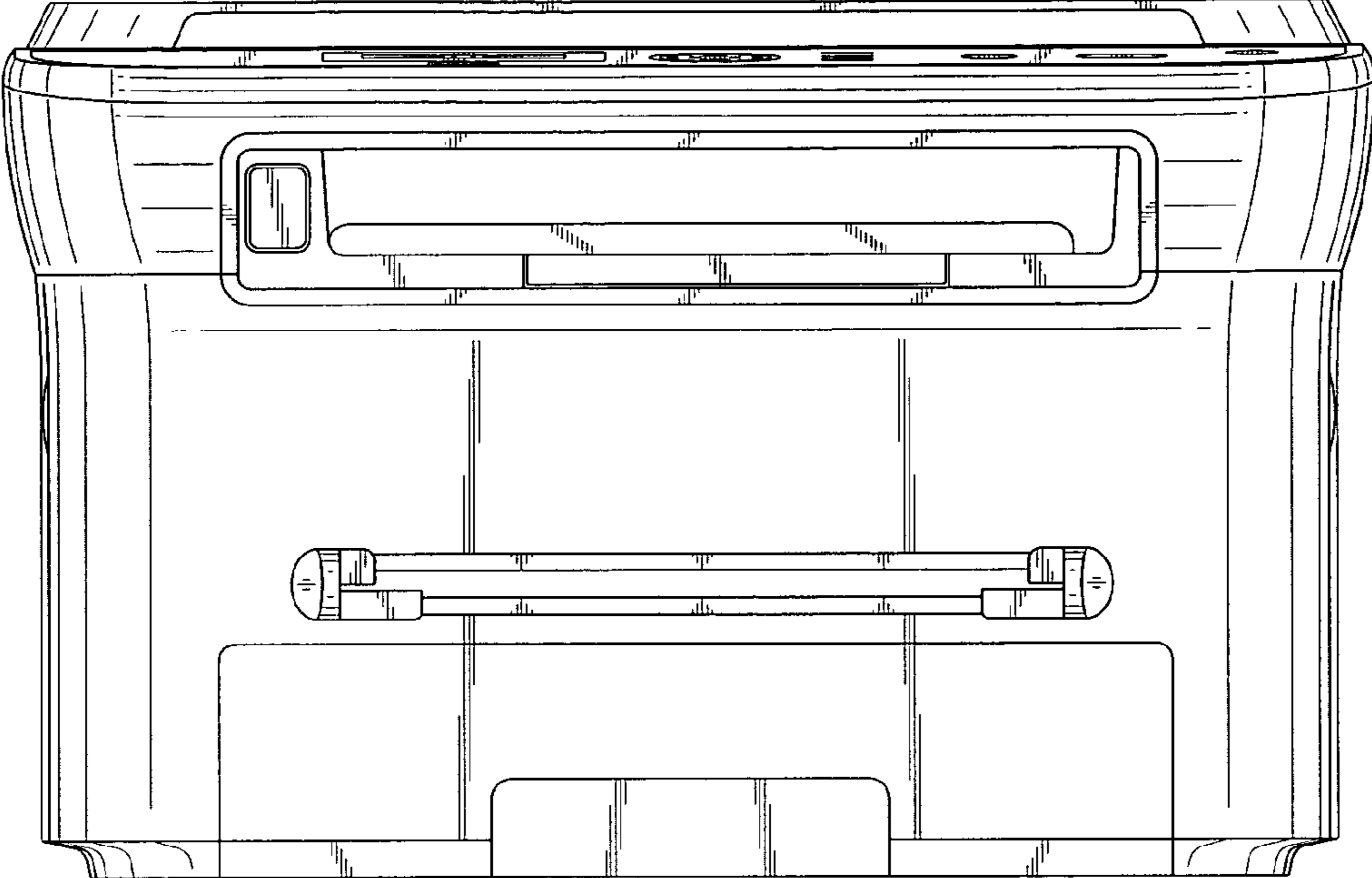


FIG. 2

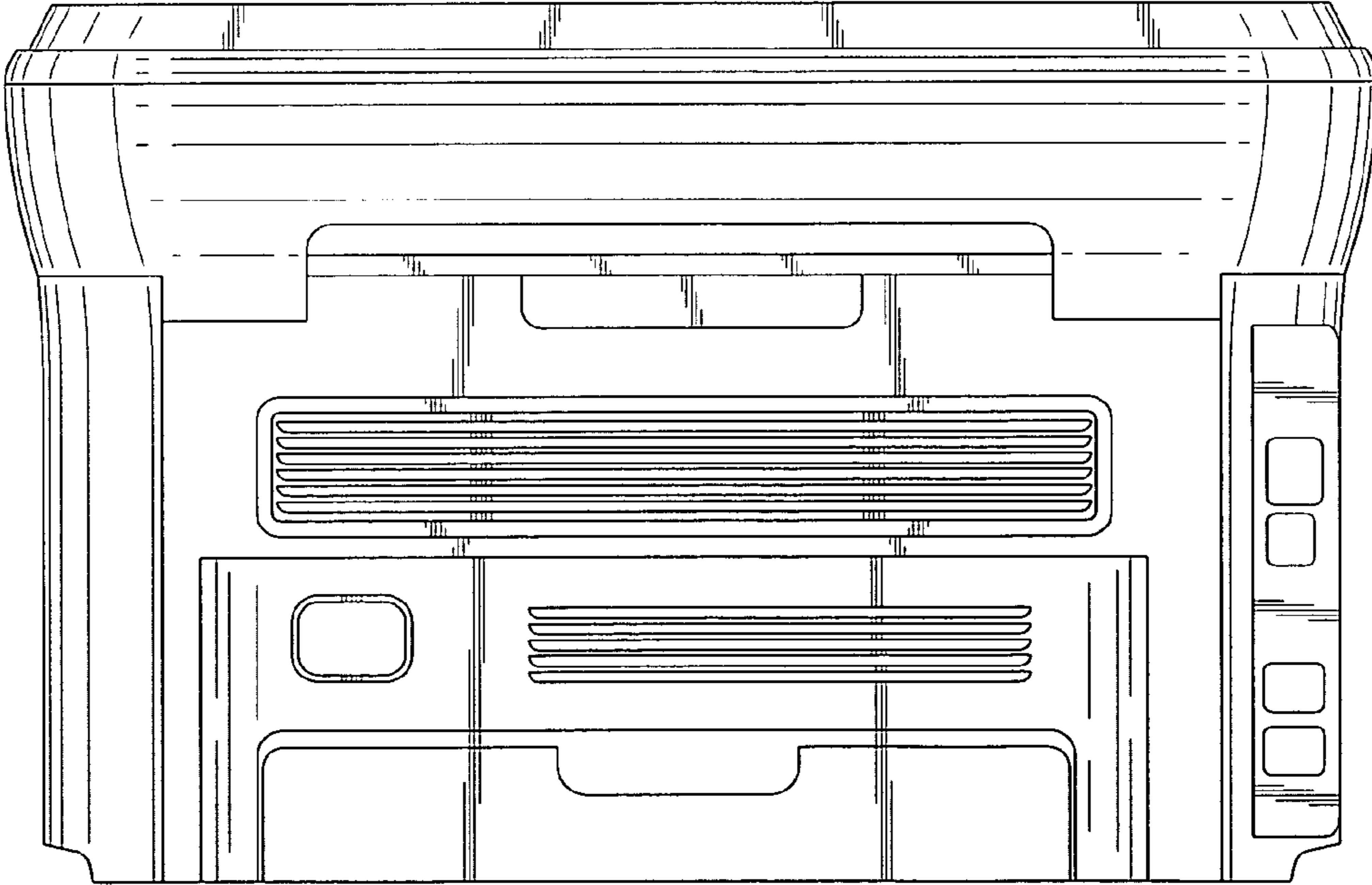


FIG. 3



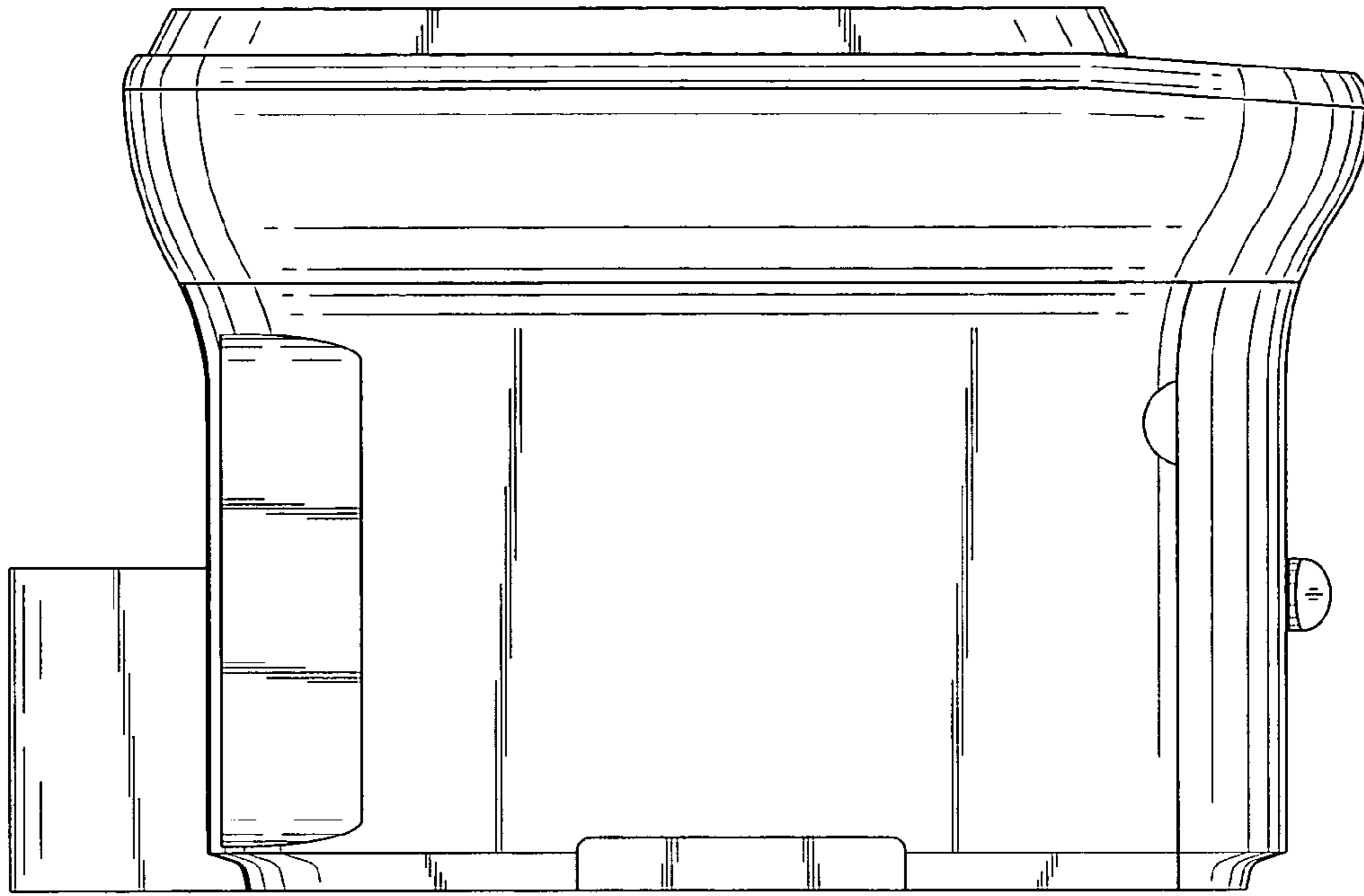


FIG. 4

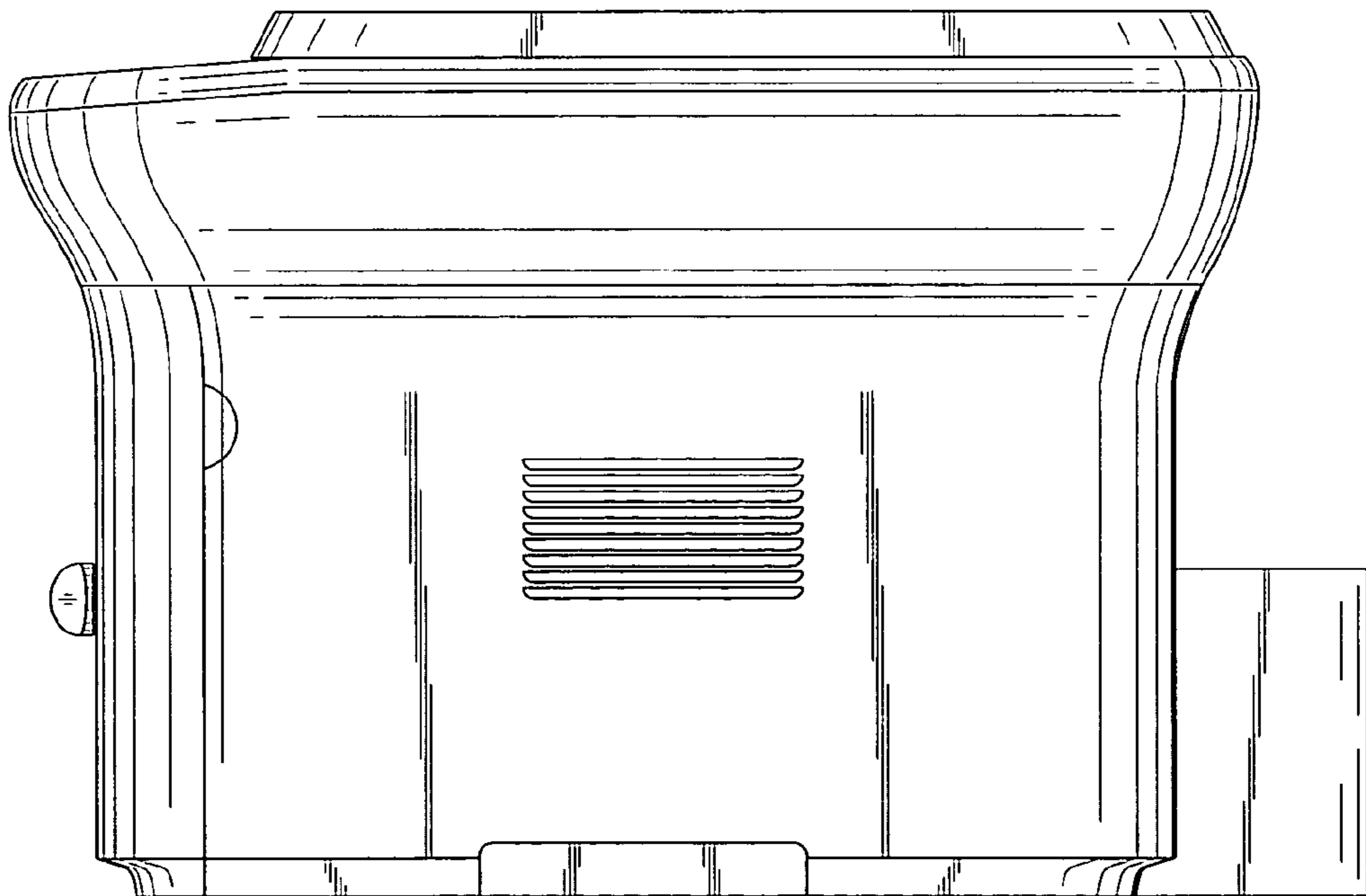


FIG. 5

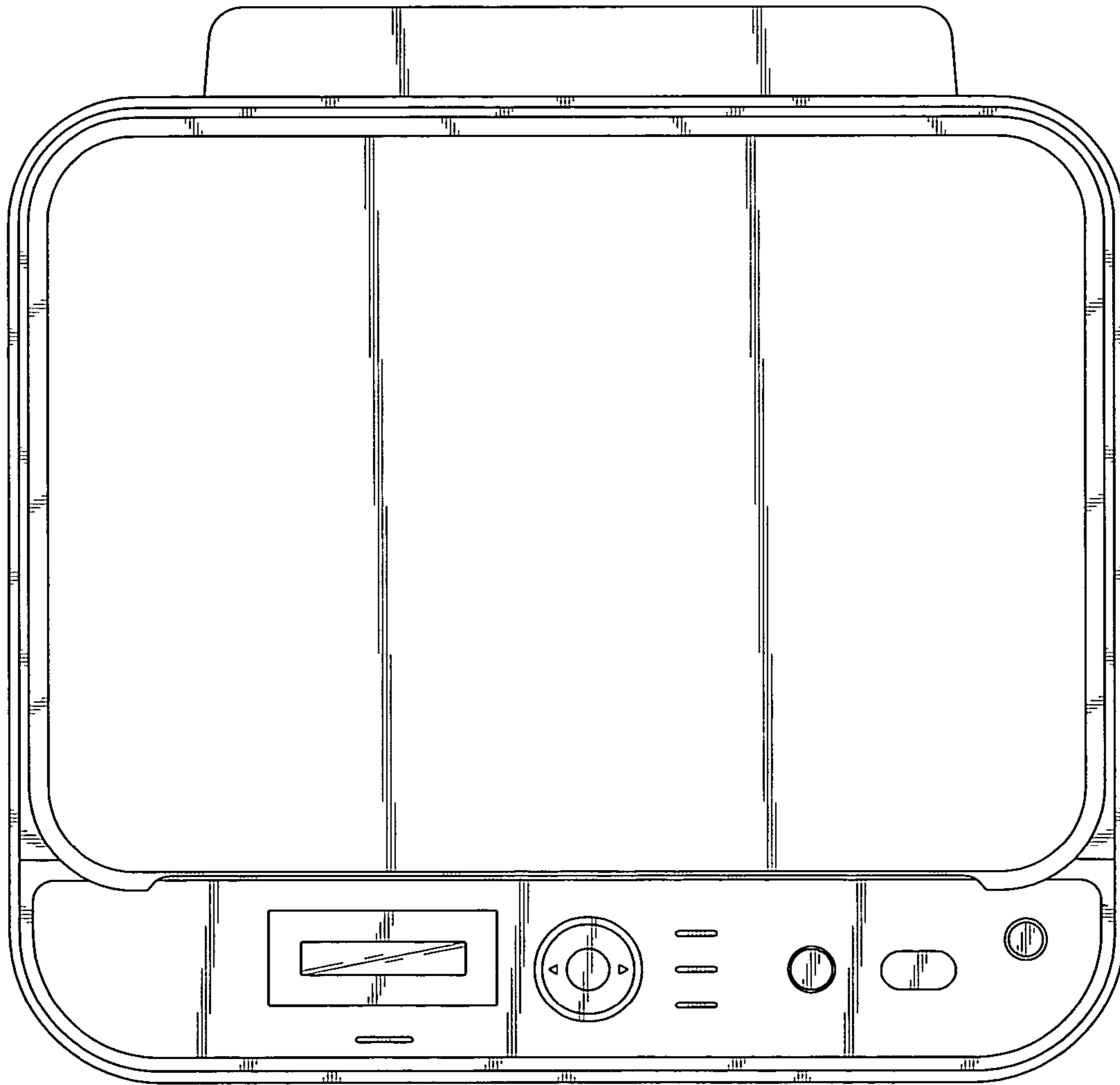


FIG. 6

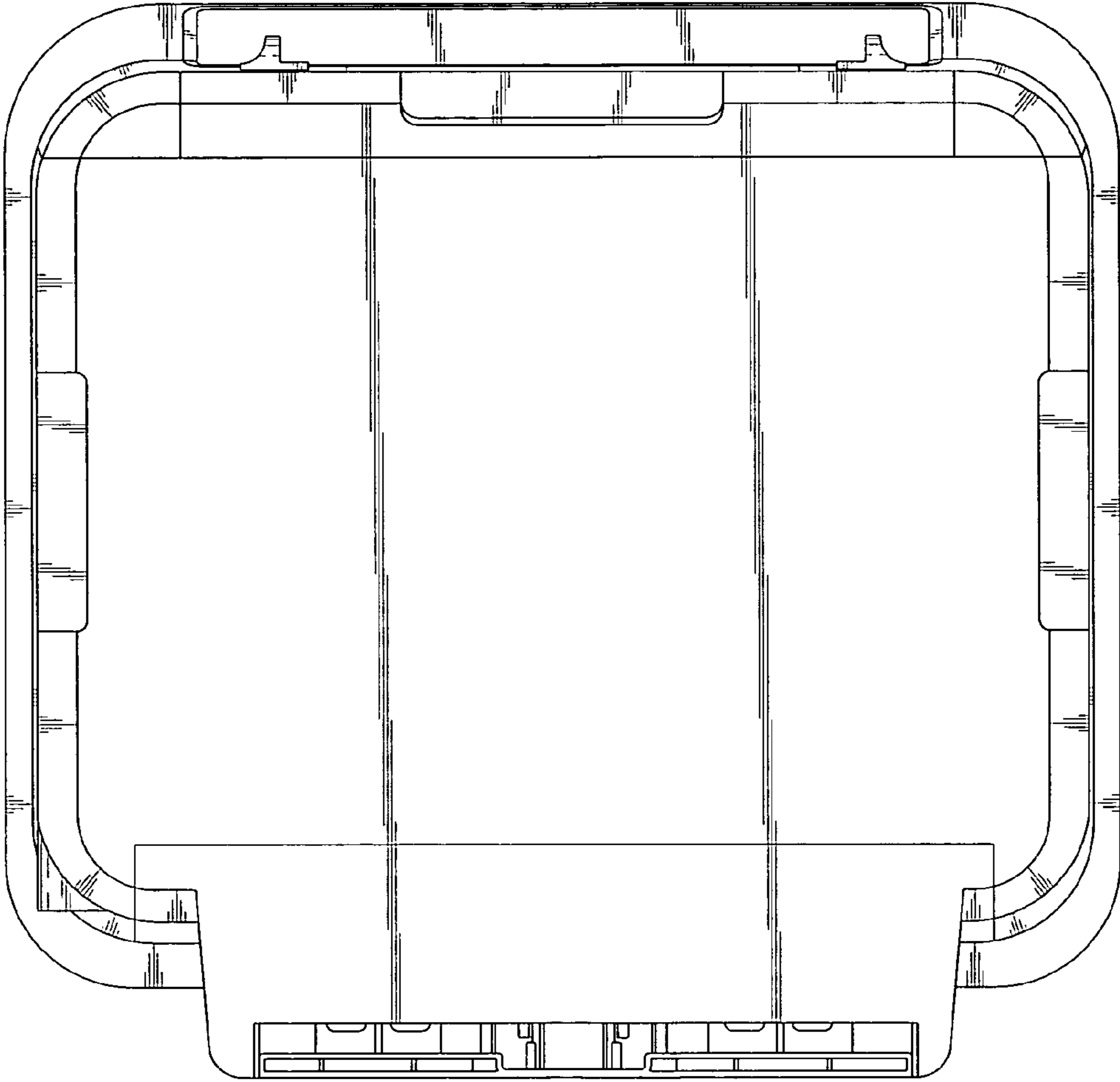


FIG. 7