



US00D632731S

(12) **United States Design Patent**
Abe et al.

(10) **Patent No.:** **US D632,731 S**
(45) **Date of Patent:** **** Feb. 15, 2011**

(54) **PROCESS CARTRIDGE**

(75) Inventors: **Daisuke Abe**, Shizuoka-ken (JP);
Teruhiko Sasaki, Mishima (JP);
Masanari Morioka, Namazu (JP);
Naoya Asanuma, Susono (JP); **Hiroki**
Ogino, Mishima (JP); **Junichiro**
Mizobe, Susono (JP)

(73) Assignee: **Canon Kabushiki Kaisha**, Tokyo (JP)

(**) Term: **14 Years**

(21) Appl. No.: **29/330,550**

(22) Filed: **Jan. 9, 2009**

(30) **Foreign Application Priority Data**

Jul. 11, 2008 (JP) 2008-017946

(51) **LOC (9) Cl.** **16-03**

(52) **U.S. Cl.** **D18/43**

(58) **Field of Classification Search** D14/471;
D18/12, 36, 40, 43, 44, 56; 222/DIG. 1;
347/197, 222; 399/24-28, 107-112, 119,
399/121, 122, 222-224

See application file for complete search history.

(56) **References Cited**

U.S. PATENT DOCUMENTS

D357,272 S * 4/1995 Tokuda et al. D18/43
5,729,795 A * 3/1998 Kavolius et al. 399/109
D397,140 S * 8/1998 Oshida D18/40
D462,984 S 9/2002 Hayashi et al. D18/40
D474,804 S 5/2003 Kubota et al. D18/40
D475,082 S 5/2003 Kubota et al. D18/40
6,714,749 B2 * 3/2004 Sato et al. 399/102

D489,753 S 5/2004 Batori et al. D18/40
D508,074 S 8/2005 Batori et al. D18/40
6,980,756 B2 * 12/2005 Kubota 399/111
D555,717 S 11/2007 Batori et al. D18/43
D565,094 S 3/2008 Sasaki et al. D18/43
D614,691 S * 4/2010 Abe et al. D18/43
2003/0002883 A1 * 1/2003 Sato et al. 399/102
2004/0105699 A1 * 6/2004 Kubota 399/111
2009/0003873 A1 * 1/2009 Martinez 399/109

* cited by examiner

Primary Examiner—Garth Rademaker

(74) *Attorney, Agent, or Firm*—Fitzpatrick, Cella, Harper & Scinto

(57) **CLAIM**

The ornamental design for a process cartridge, as shown and described.

DESCRIPTION

FIG. 1 is a front view of a process cartridge showing our new design;

FIG. 2 is a rear view thereof;

FIG. 3 is a top plan view thereof;

FIG. 4 is a bottom plan view thereof;

FIG. 5 is a left side view thereof;

FIG. 6 is a right side view thereof;

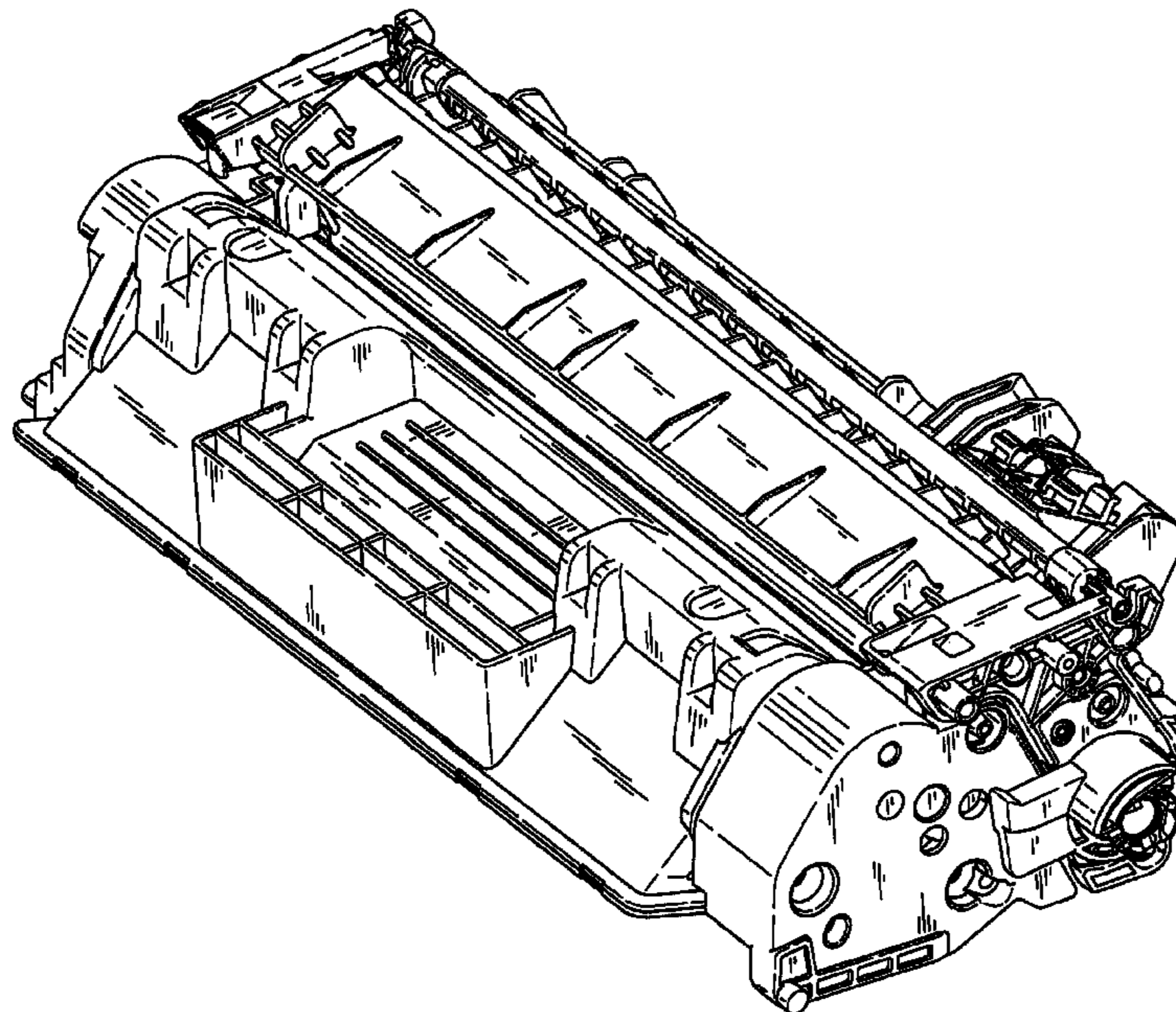
FIG. 7 is a top and right side perspective view thereof;

FIG. 8 is a top and left side perspective view thereof; and,

FIG. 9 is a bottom and left side perspective view thereof.

The broken lines depict environmental subject matter only and form no part of the claimed design.

1 Claim, 7 Drawing Sheets



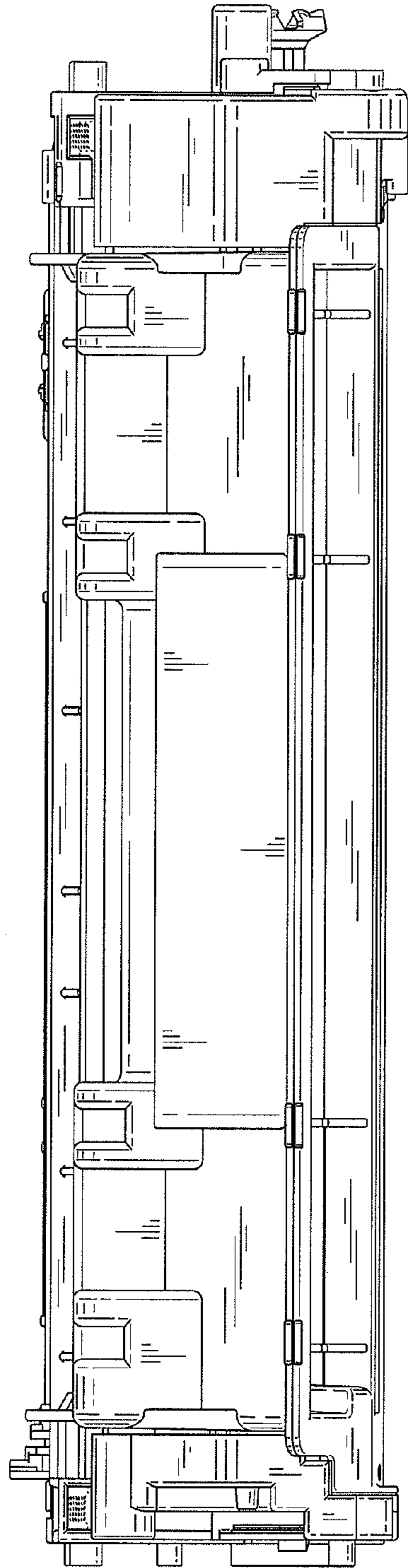


FIG. 1



FIG. 2

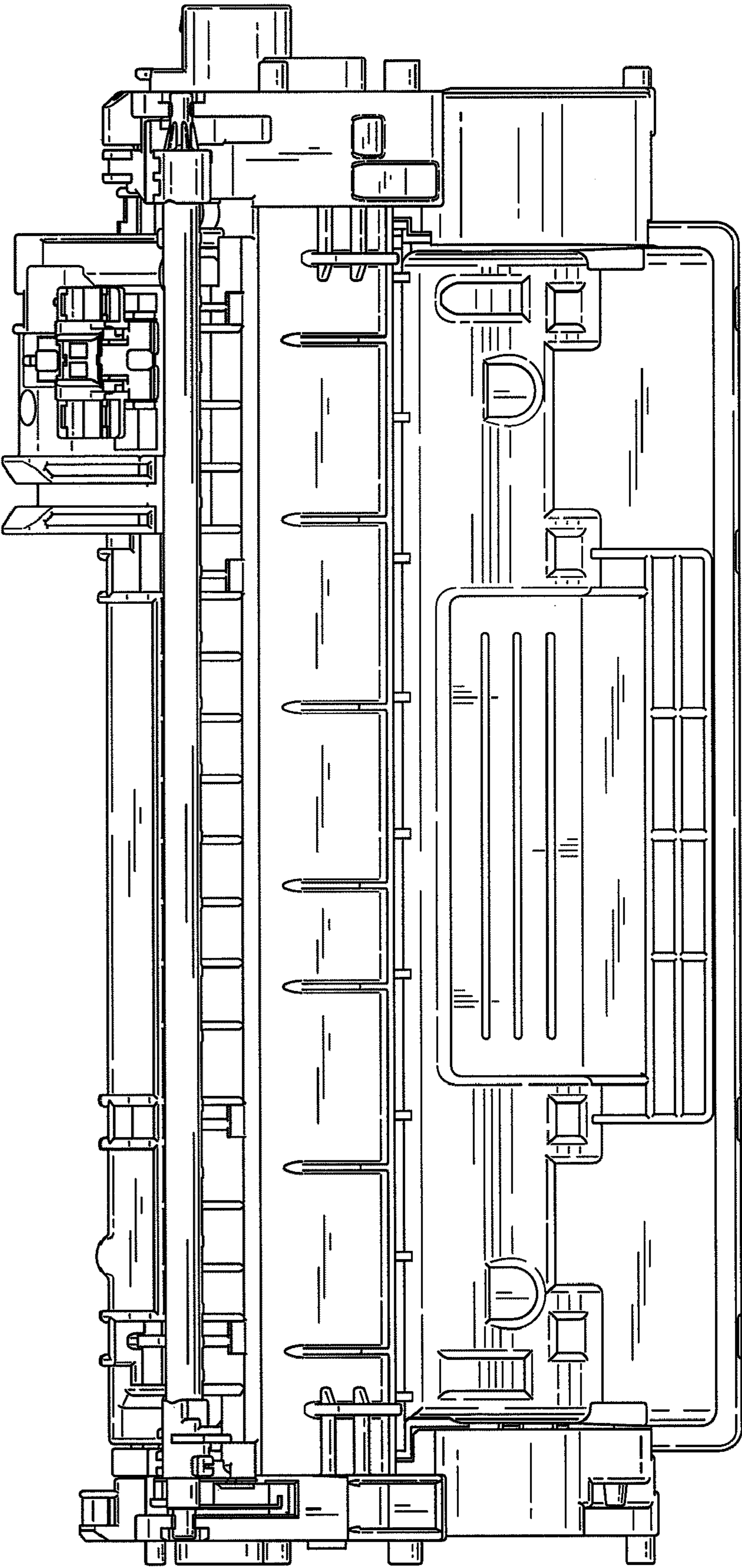


FIG. 3

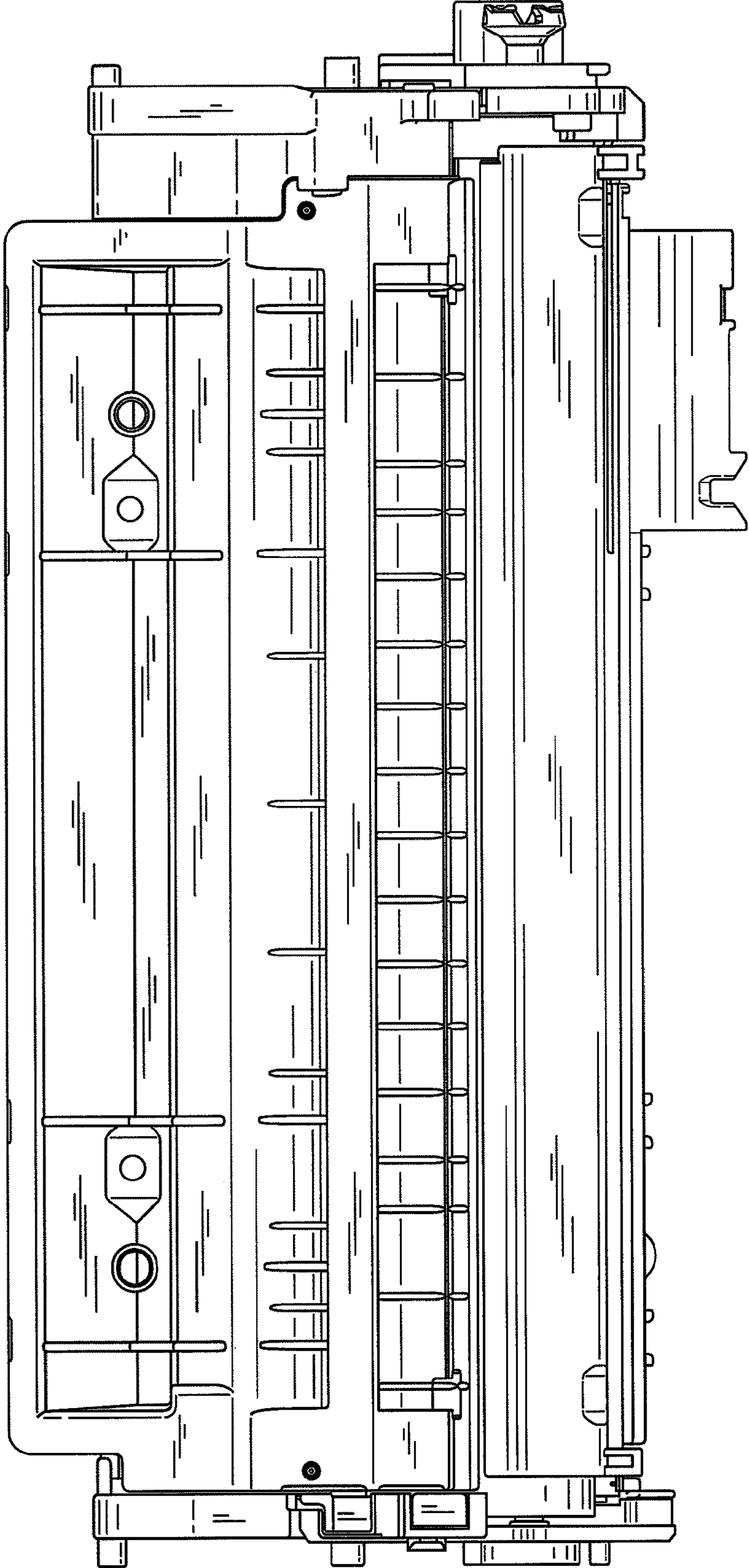


FIG. 4

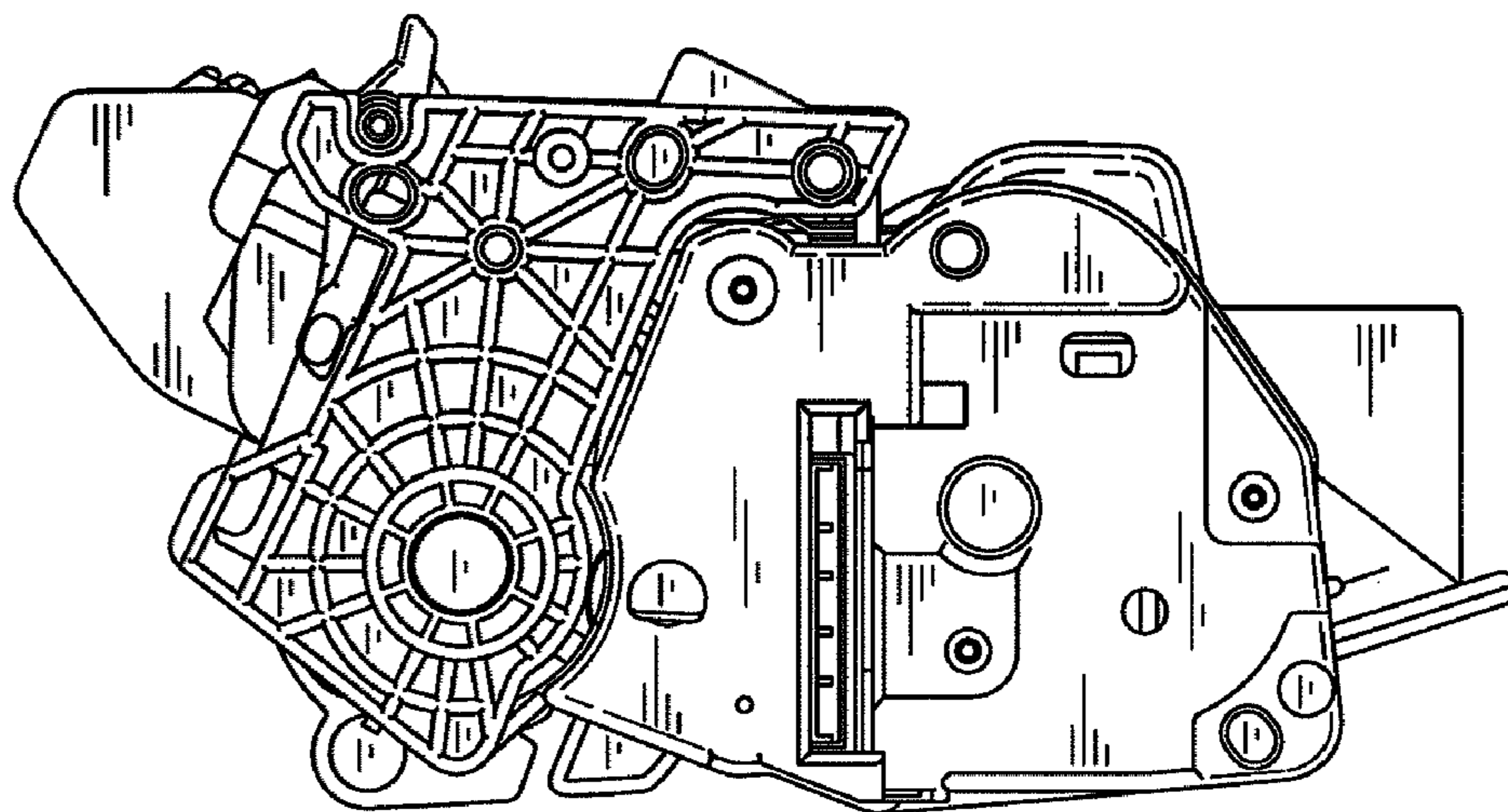


FIG. 5

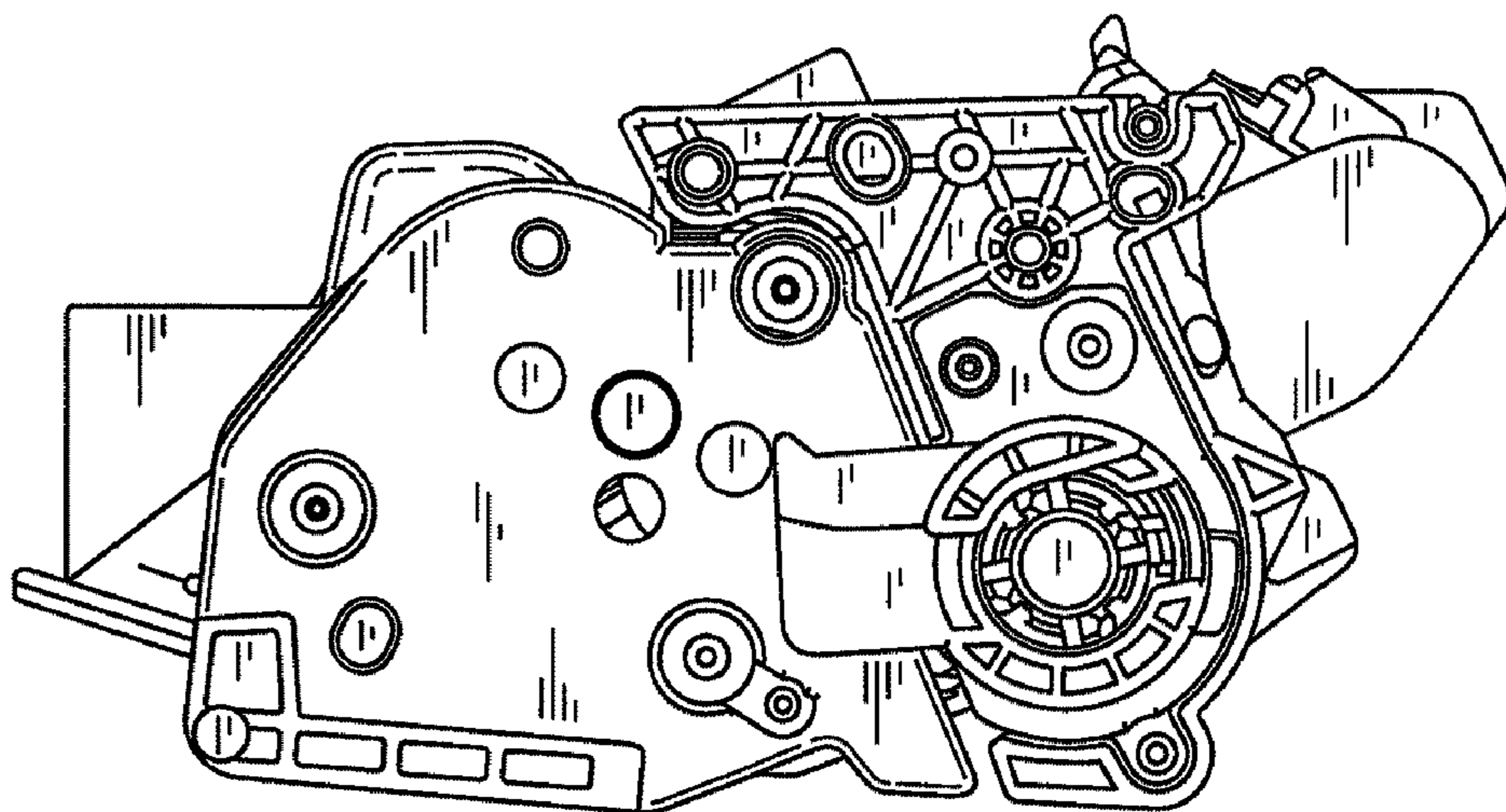


FIG. 6

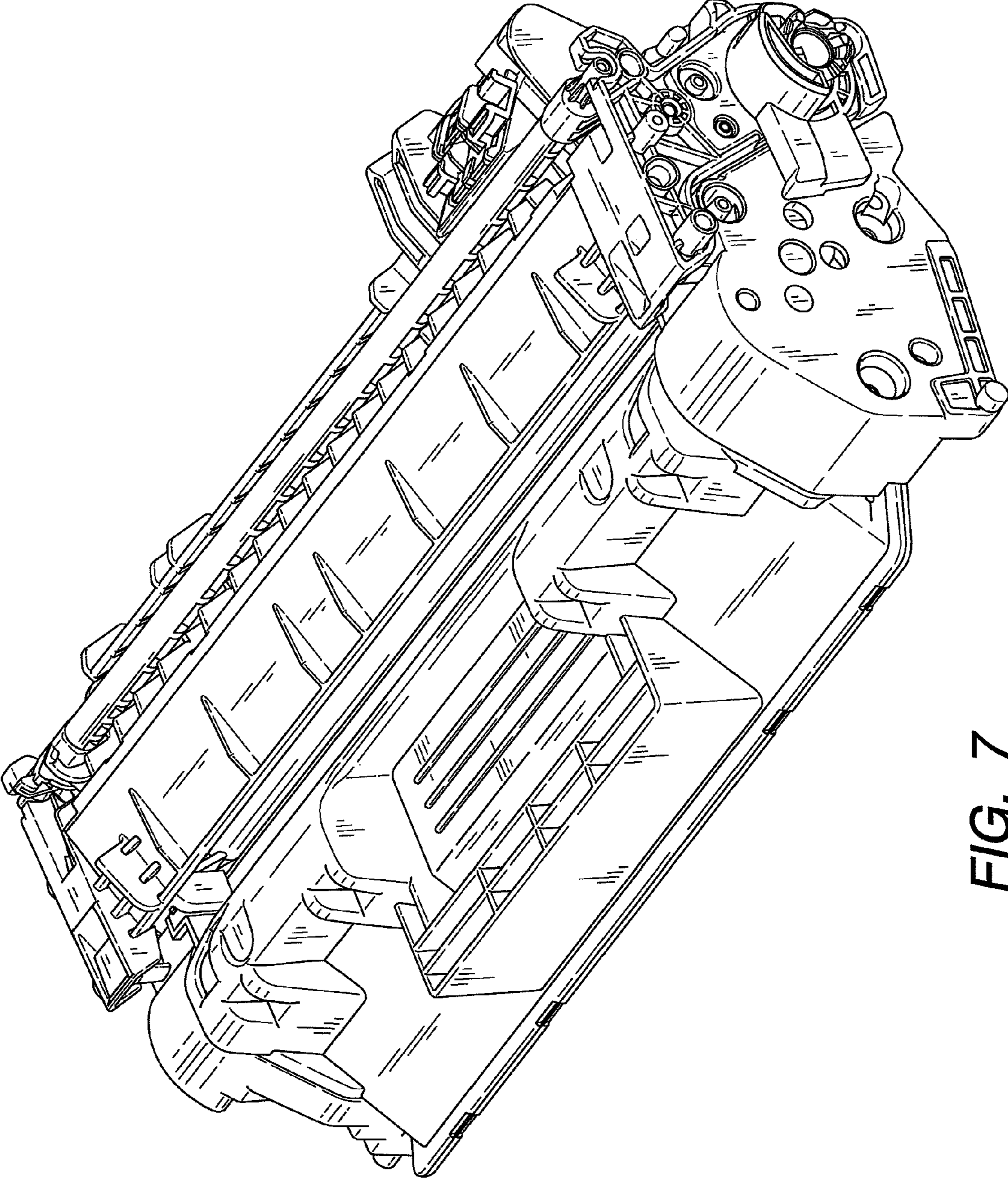


FIG. 7

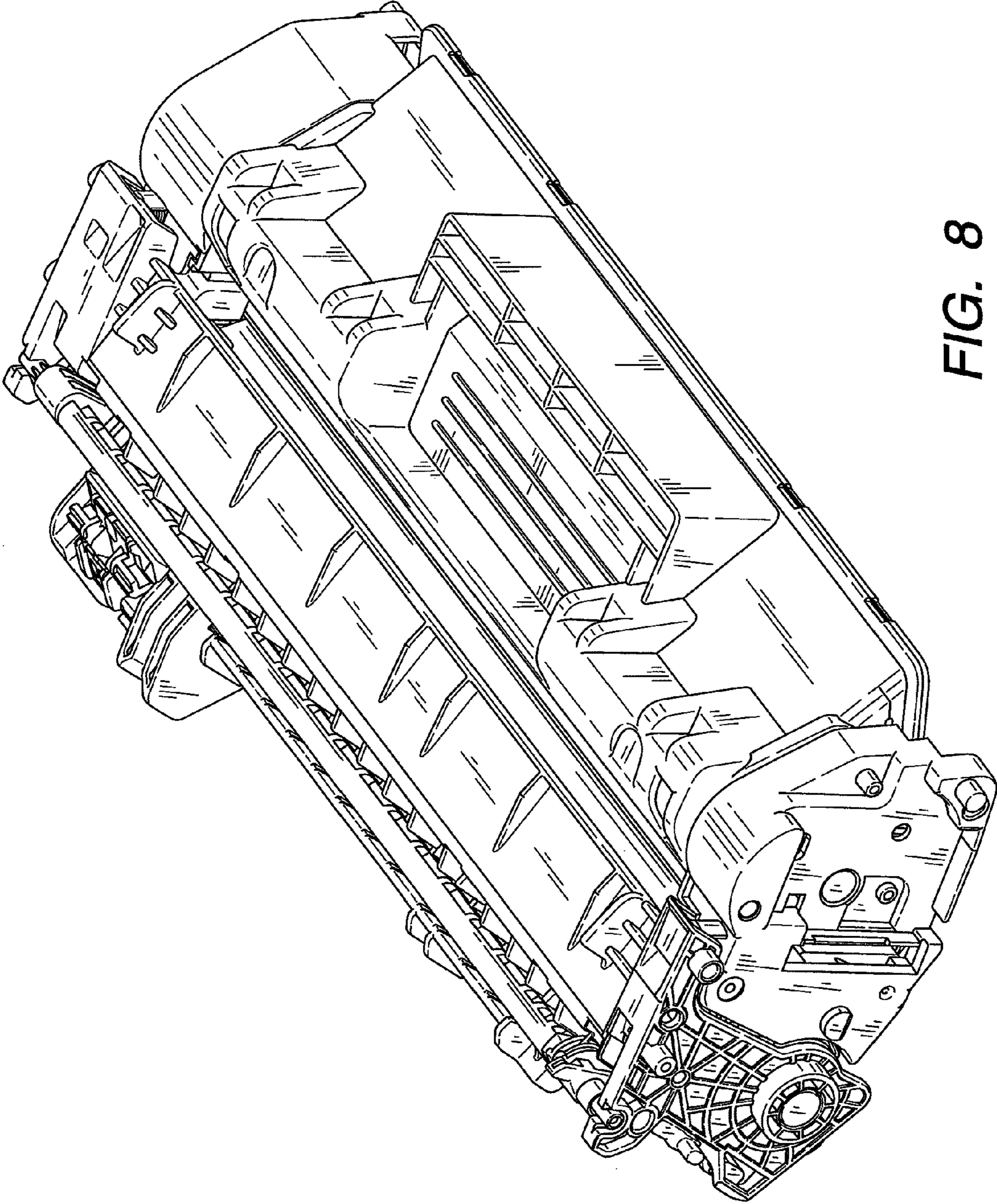


FIG. 8

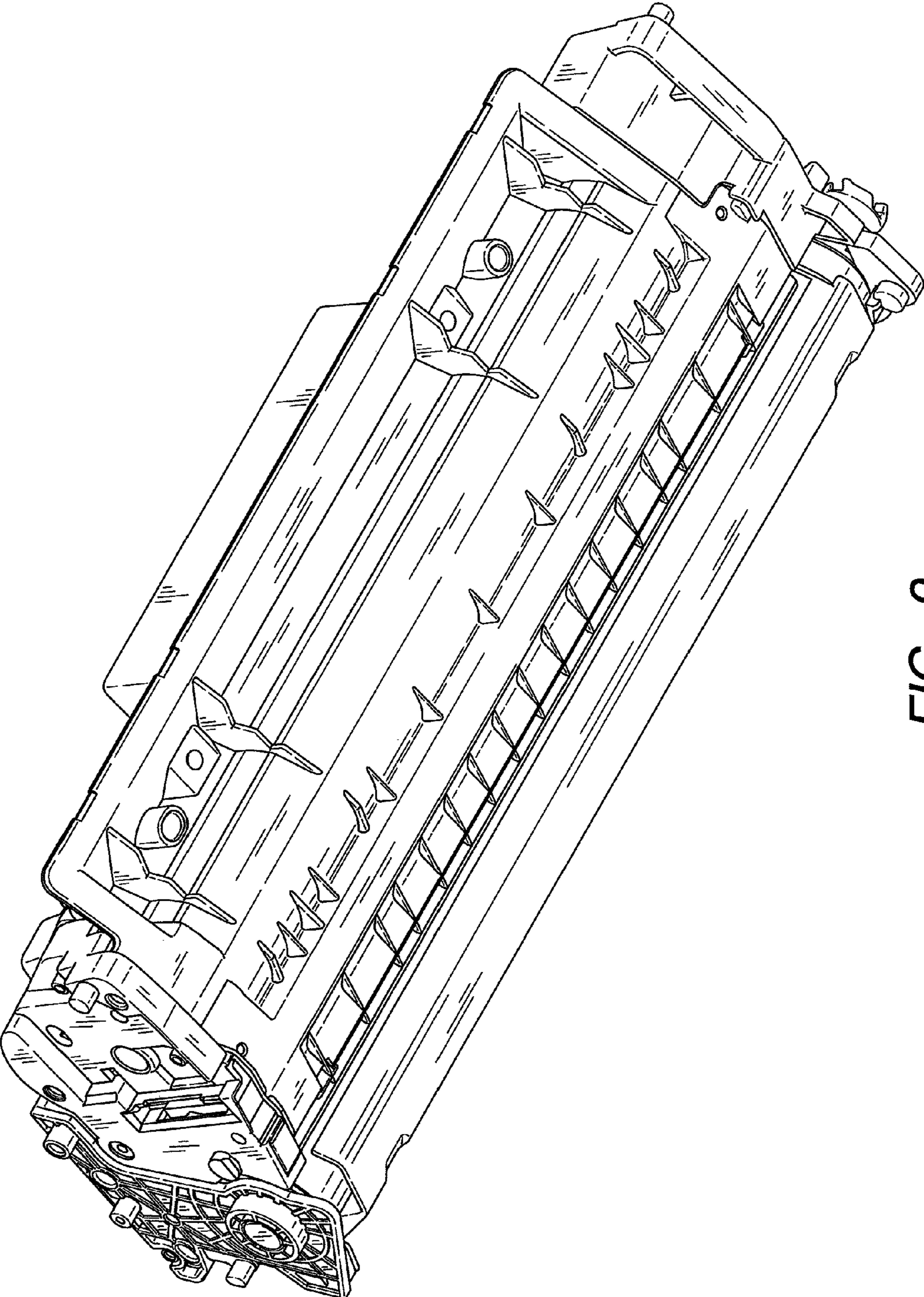


FIG. 9