



US00D632720S

(12) **United States Design Patent**  
**Barker**

(10) **Patent No.:** **US D632,720 S**

(45) **Date of Patent:** **\*\* \*Feb. 15, 2011**

(54) **WIDE SPLAY COLLAPSIBLE TRIPOD**

(75) Inventor: **John Christopher Barker**, Oceanside,  
OR (US)

(73) Assignee: **Trek Technologies, LLC**

(\*) Notice: This patent is subject to a terminal disclaimer.

(\*\*) Term: **14 Years**

(21) Appl. No.: **29/291,514**

(22) Filed: **Aug. 31, 2007**

(51) **LOC (9) Cl.** ..... **16-05**

(52) **U.S. Cl.** ..... **D16/244**

(58) **Field of Classification Search** ..... D16/237,  
D16/240, 242-245; 396/419, 421, 428; 248/125.1,  
248/163.1, 167, 170, 176.1, 177.1, 187.1,  
248/186.1, 188.5, 285.1

See application file for complete search history.

(56) **References Cited**

**U.S. PATENT DOCUMENTS**

3,064,932	A *	11/1962	Holderman	.....	248/188.5
4,606,525	A *	8/1986	Lombardi	.....	248/188.5
D290,963	S *	7/1987	Groschupp	.....	D16/244
D335,889	S *	5/1993	Gibran	.....	D16/244
D347,501	S *	5/1994	Chapman	.....	D16/242
5,438,786	A *	8/1995	Hilderbrand	.....	248/171
D368,731	S *	4/1996	Shen	.....	D16/244
5,510,863	A *	4/1996	Kliewer	.....	396/428
5,564,661	A *	10/1996	Gershon	.....	248/167
6,007,259	A *	12/1999	Mori et al.	.....	396/428
6,438,889	B1 *	8/2002	Handy	.....	248/166
D505,442	S *	5/2005	Murray et al.	.....	D16/244
D509,014	S *	8/2005	Bonneville	.....	D16/244
7,011,280	B2 *	3/2006	Murray et al.	.....	248/187.1

D552,660	S *	10/2007	Lee	.....	D16/244
7,344,320	B2 *	3/2008	Barker et al.	.....	396/419
7,395,994	B1 *	7/2008	Sikra	.....	248/125.1
2004/0011930	A1 *	1/2004	Tuohy et al.	.....	248/163.1
2008/0011344	A1 *	1/2008	Barker	.....	135/66

**OTHER PUBLICATIONS**

Table\_Tripod, 1 page [on line], [retrieved on Aug. 11, 2010]. Retrieved from Internet, <URL: http://www.google.com>.\*

Table\_top\_tripod, 1 page [on line], [retrieved on Aug. 11, 2010]. Retrieved from Internet, <URL: http://www.google.com>.\*

Velbon-ultra-luxi-mini-tripod-for macro-photo, 1 page [on line], [retrieved on Aug. 11, 2010]. Retrieved from Internet, <URL: http://www.google.com>.\*

\* cited by examiner

*Primary Examiner*—Ian Simmons

*Assistant Examiner*—Wan Laymon

(74) *Attorney, Agent, or Firm*—Steven J. Adamson

(57) **CLAIM**

The ornamental design for a wide splay collapsible tripod, substantially as shown and described.

**DESCRIPTION**

FIG. 1 is a left side perspective view of a wide splay collapsible tripod in accordance with the present invention;

FIG. 2 is a front perspective view thereof;

FIG. 3 is a rear perspective view thereof;

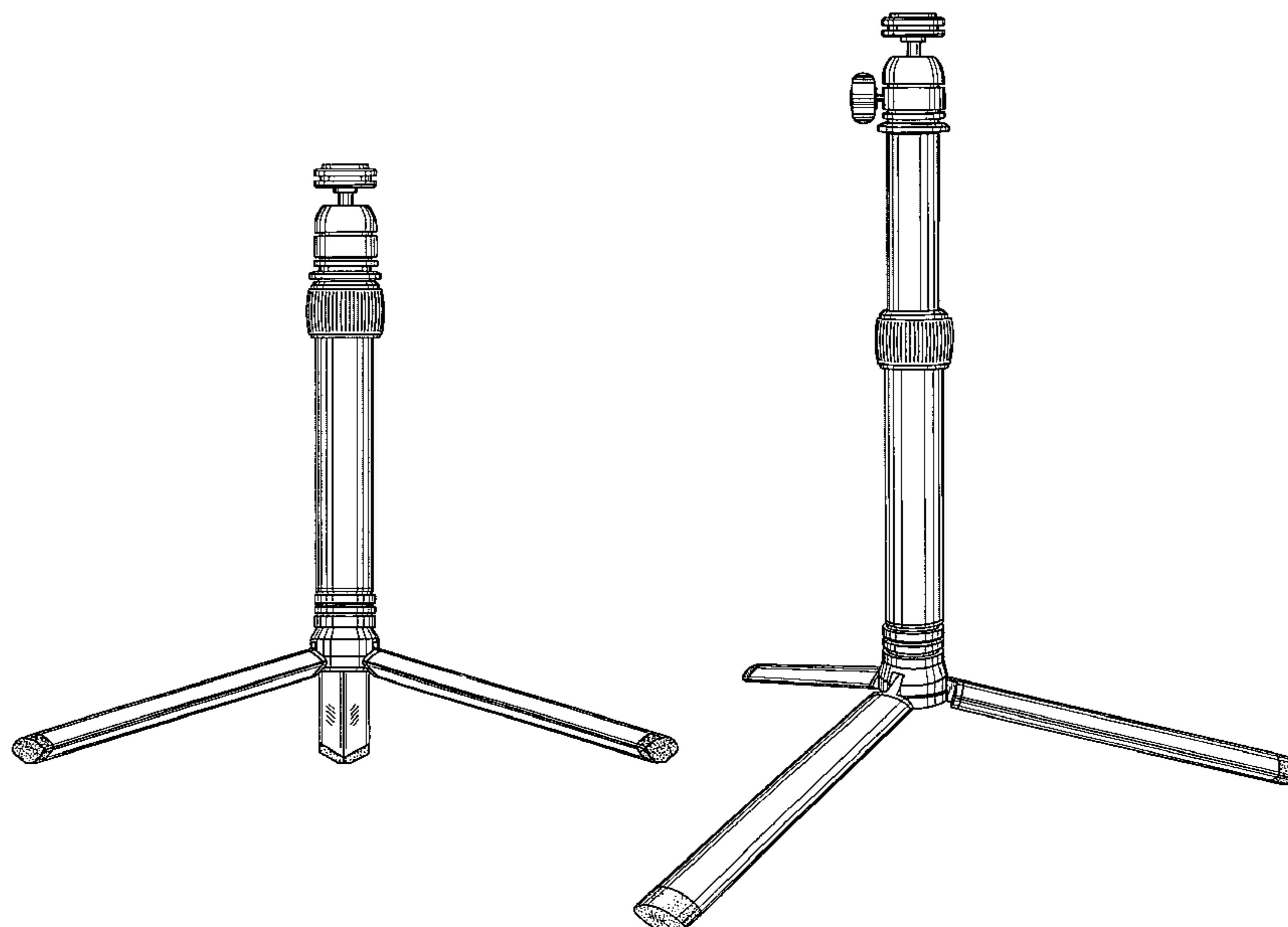
FIG. 4 is a right side perspective view thereof;

FIG. 5 is a top perspective view thereof;

FIG. 6 is a bottom perspective view thereof; and,

FIG. 7 is a left side view there, showing in an extended position.

**1 Claim, 4 Drawing Sheets**



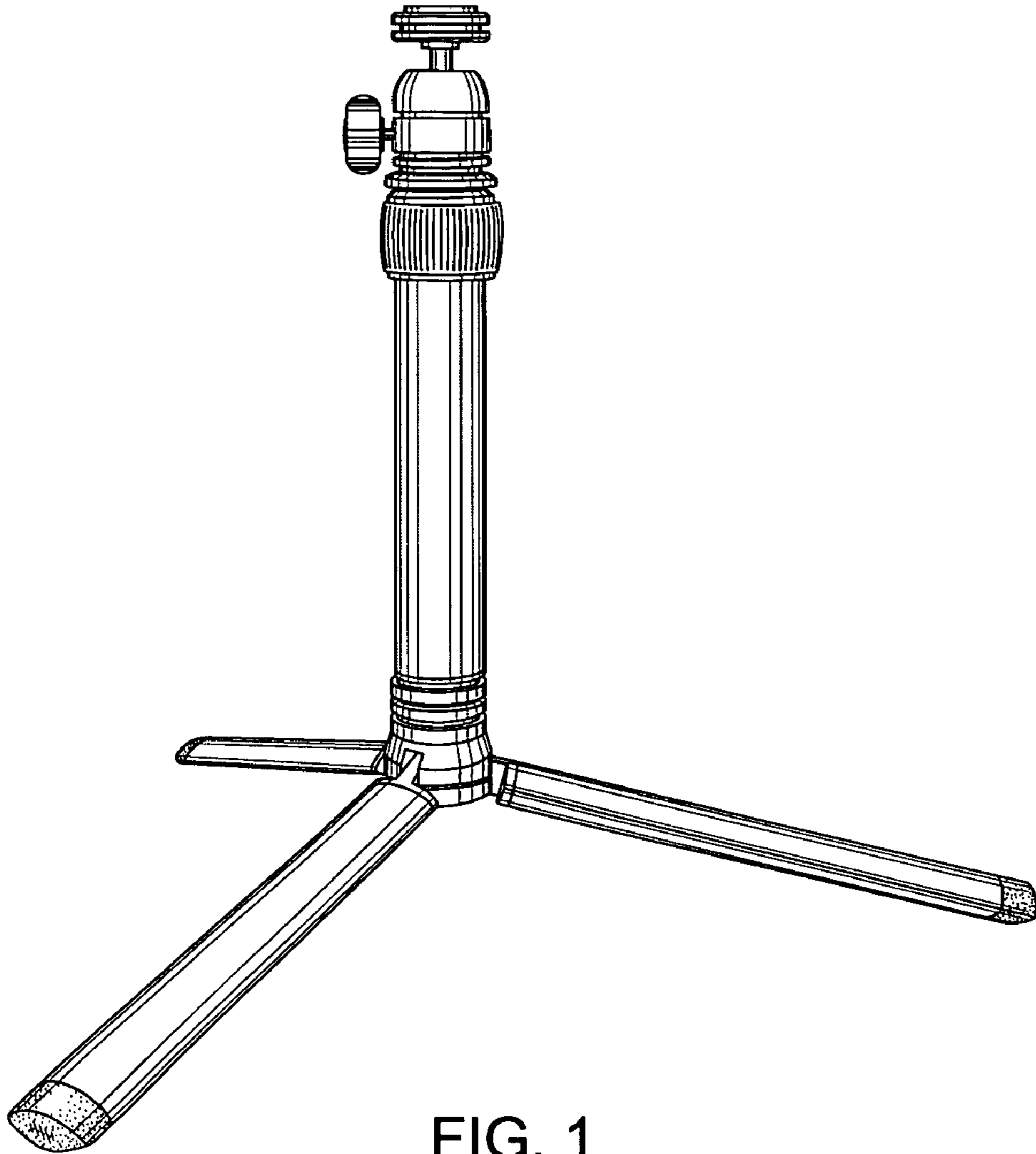
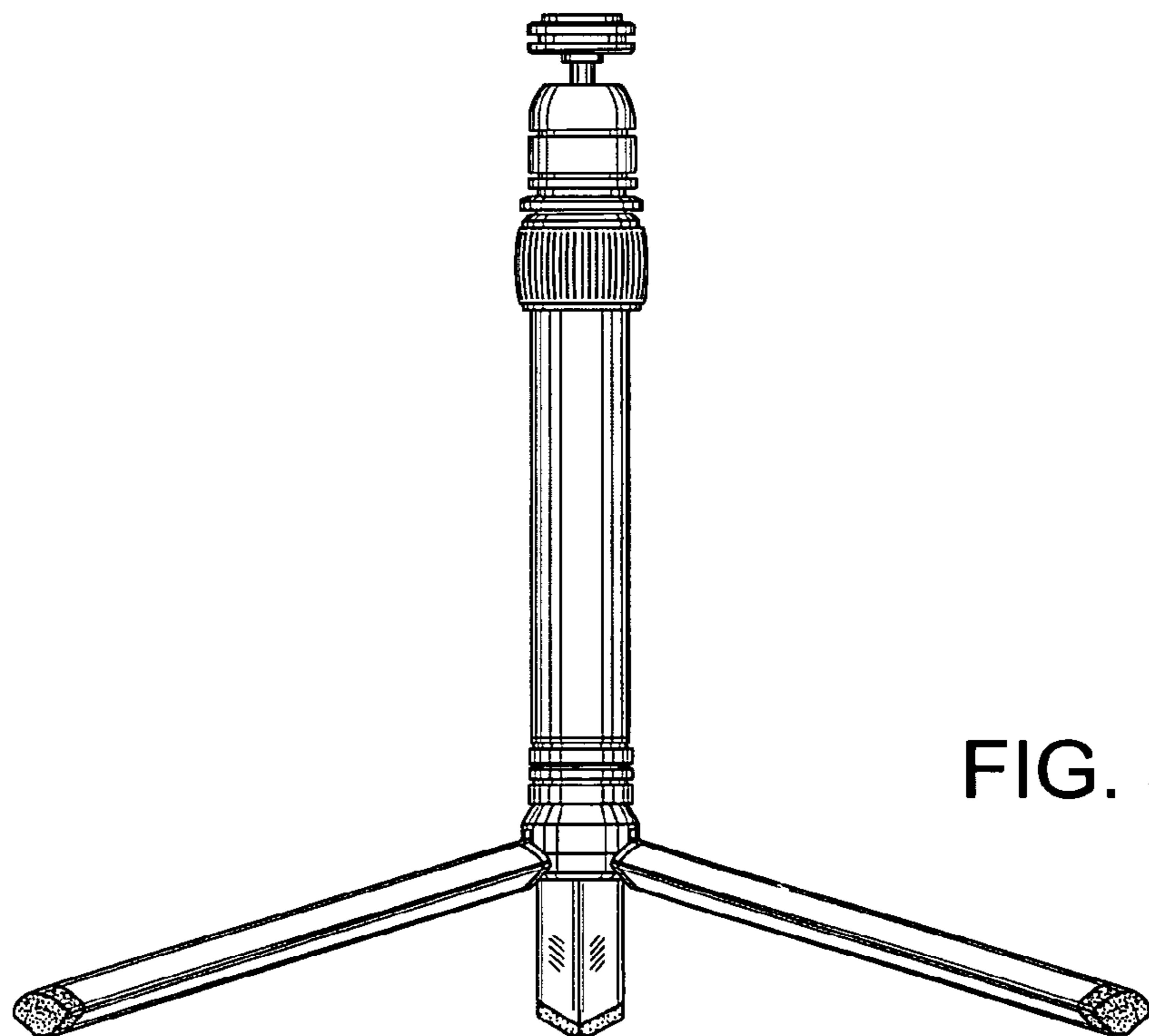
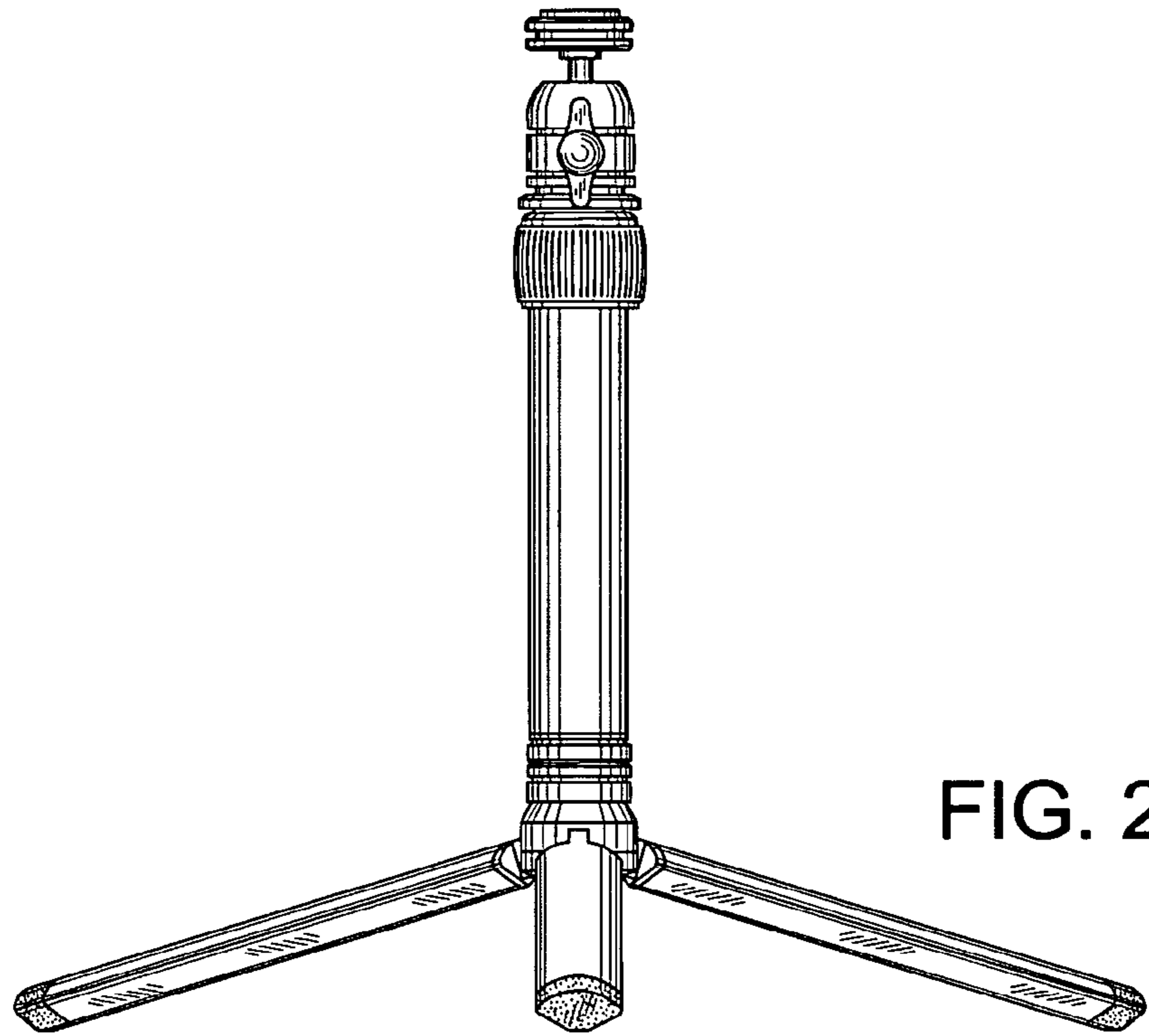


FIG. 1



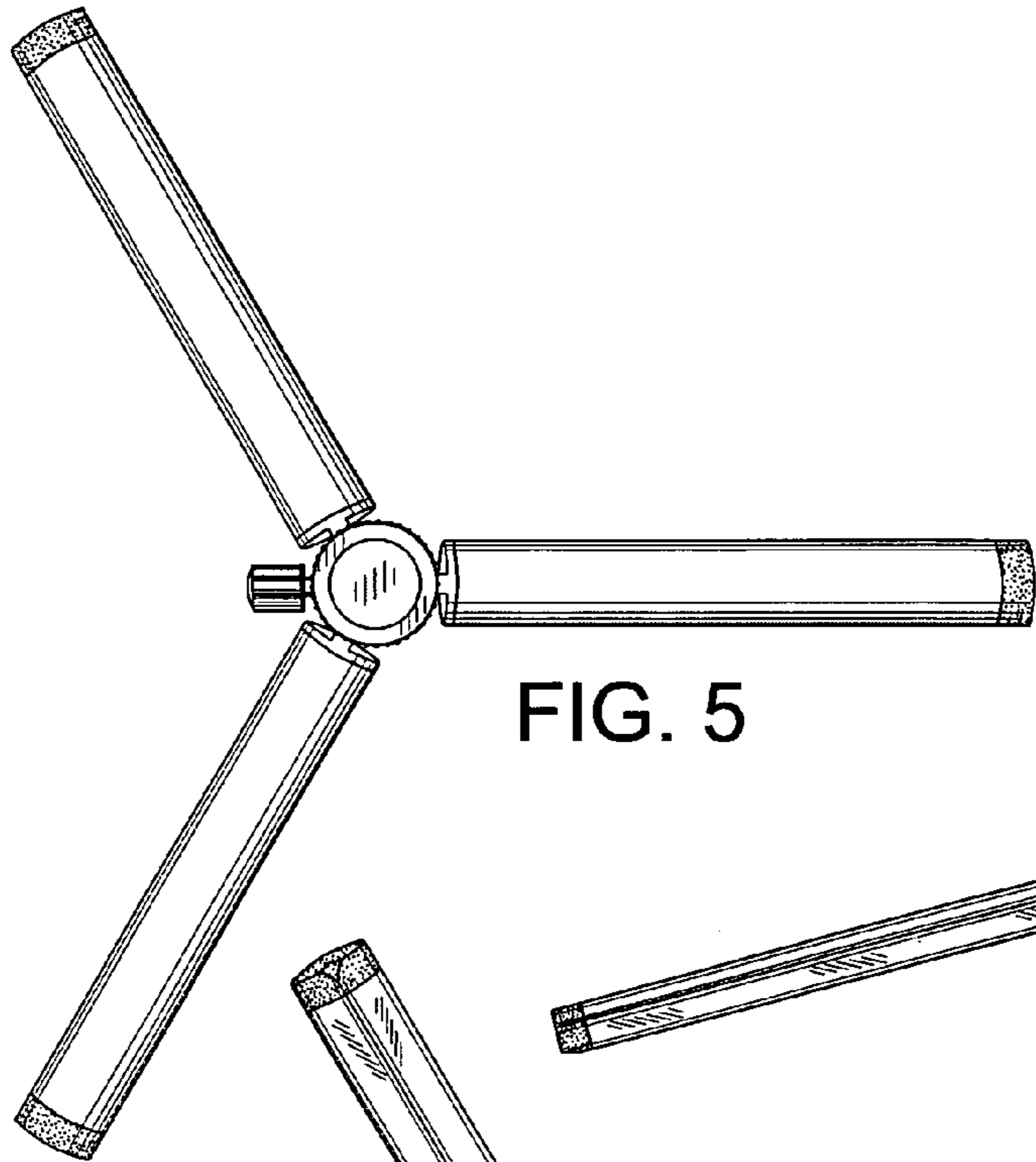


FIG. 5

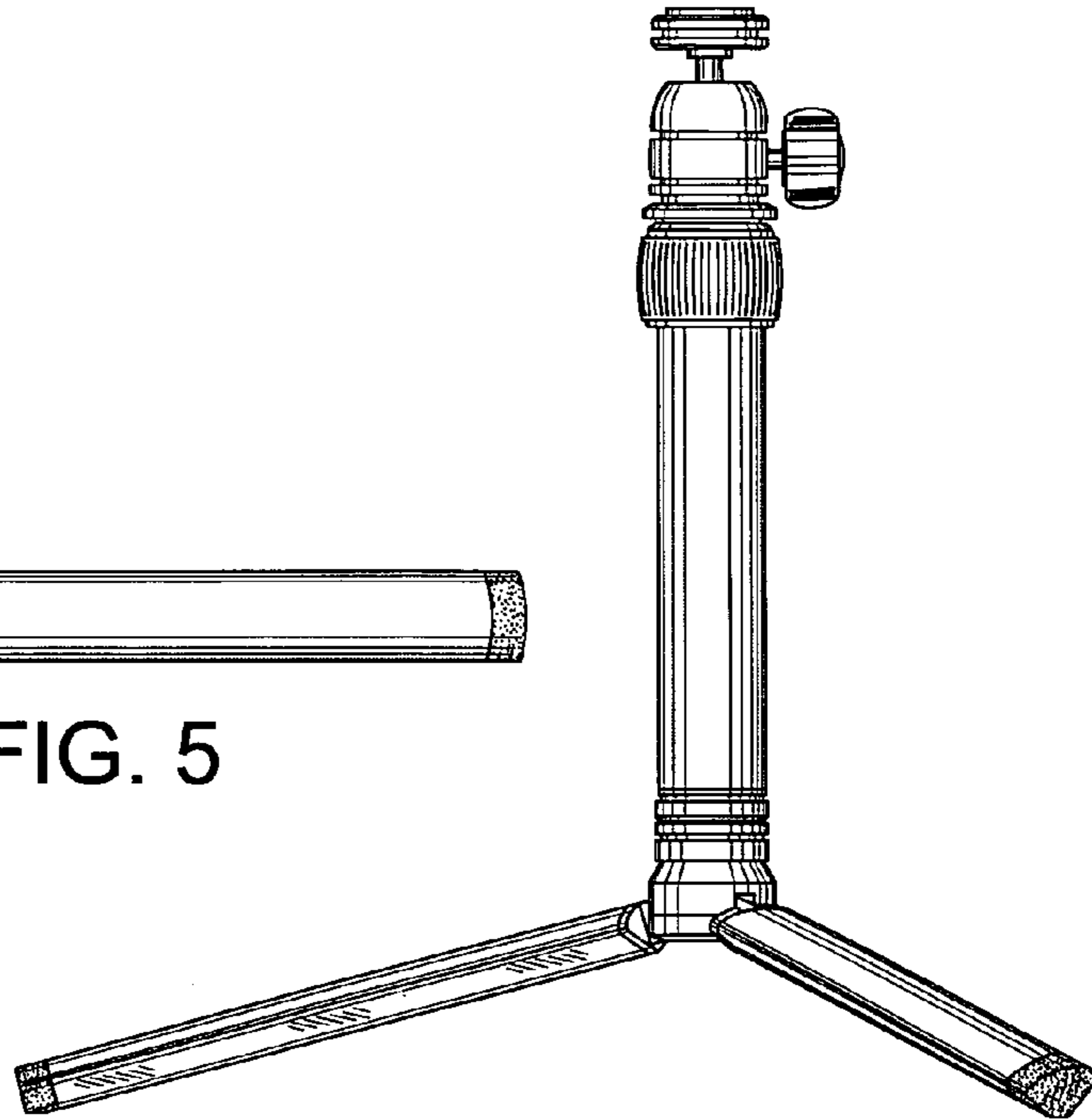


FIG. 4

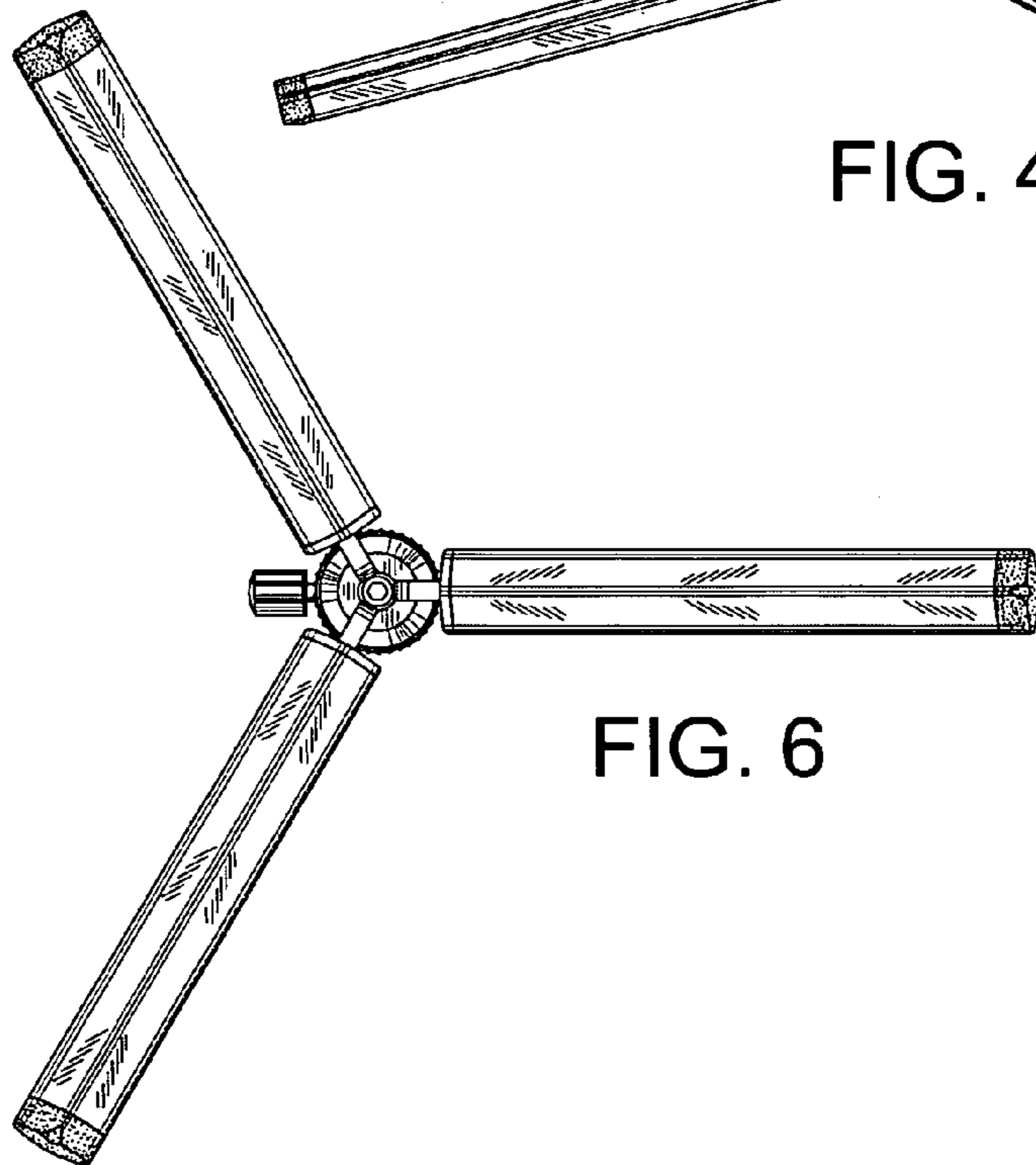


FIG. 6

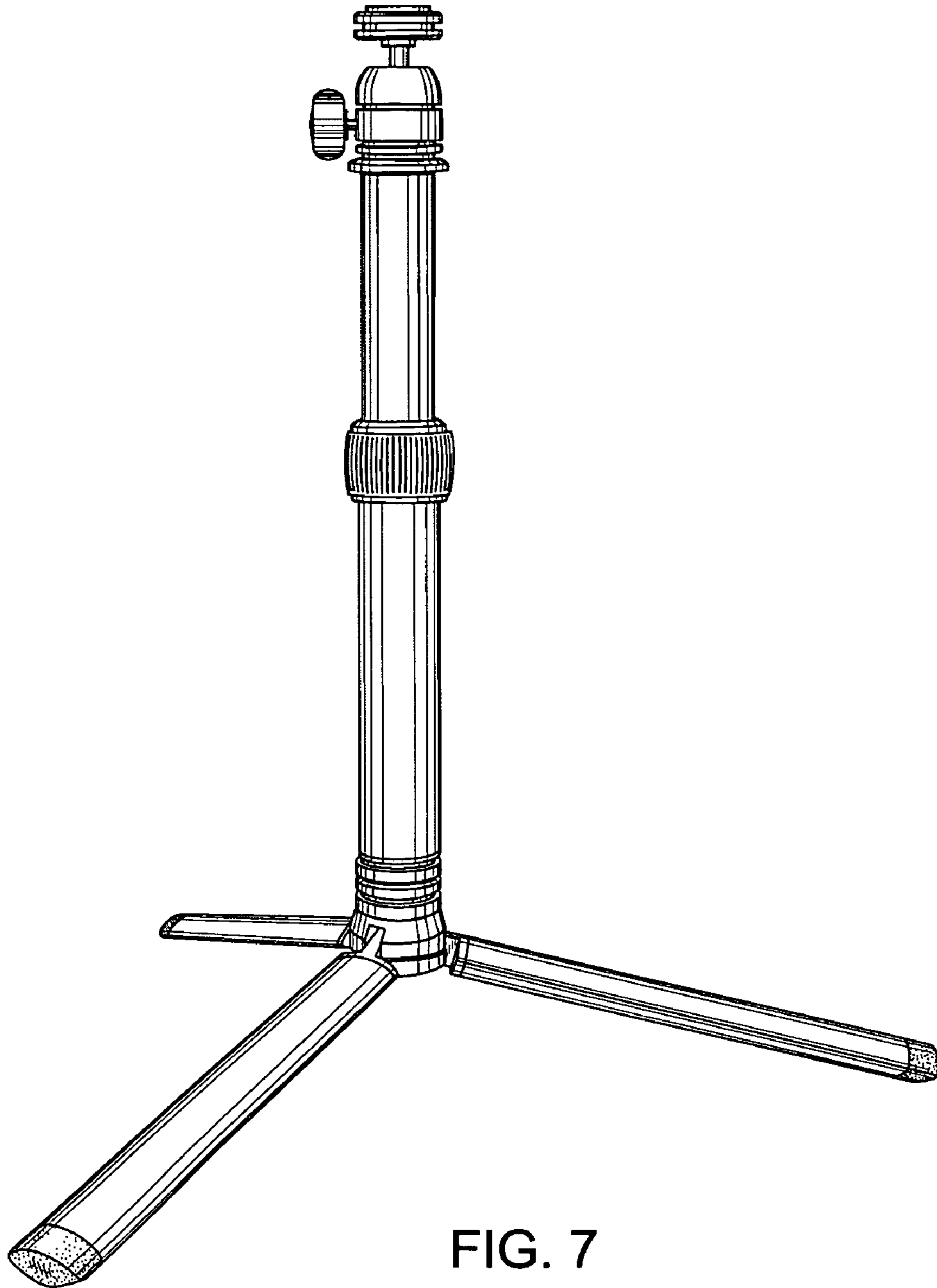


FIG. 7