

US00D632719S

(12) **United States Design Patent**  
**Tsai**

(10) **Patent No.:** **US D632,719 S**

(45) **Date of Patent:** **\*\* Feb. 15, 2011**

(54) **WEBCAM**

D600,730 S \* 9/2009 Su ..... D16/202  
7,736,071 B2 \* 6/2010 Wahl et al. .... 348/373

(75) Inventor: **Kun-Wei Tsai**, Tu-Cheng (TW)

\* cited by examiner

(73) Assignee: **Cheng Uei Precision Industry Co., Ltd.**, Tu-Cheng, Taipei Hsien (TW)

*Primary Examiner*—Adir Aronovich

(74) *Attorney, Agent, or Firm*—Cheng-Ju Chiang

(\*\*) Term: **14 Years**

(57) **CLAIM**

(21) Appl. No.: **29/363,544**

The ornamental design for a webcam, as shown and described.

(22) Filed: **Jun. 10, 2010**

(51) **LOC (9) Cl.** ..... **16-01**

**DESCRIPTION**

(52) **U.S. Cl.** ..... **D16/202; D16/242**

(58) **Field of Classification Search** ..... D16/200,  
D16/202, 203, 204, 208, 218, 242; 348/373,  
348/375; 396/419, 427, 428, 535  
See application file for complete search history.

FIG. 1 is a perspective view of a webcam showing my new design;

FIG. 2 is a front elevational view thereof;

FIG. 3 is a rear elevational view thereof;

FIG. 4 is a left side elevational view thereof;

FIG. 5 is a right side elevational view thereof;

FIG. 6 is a top plan view thereof; and,

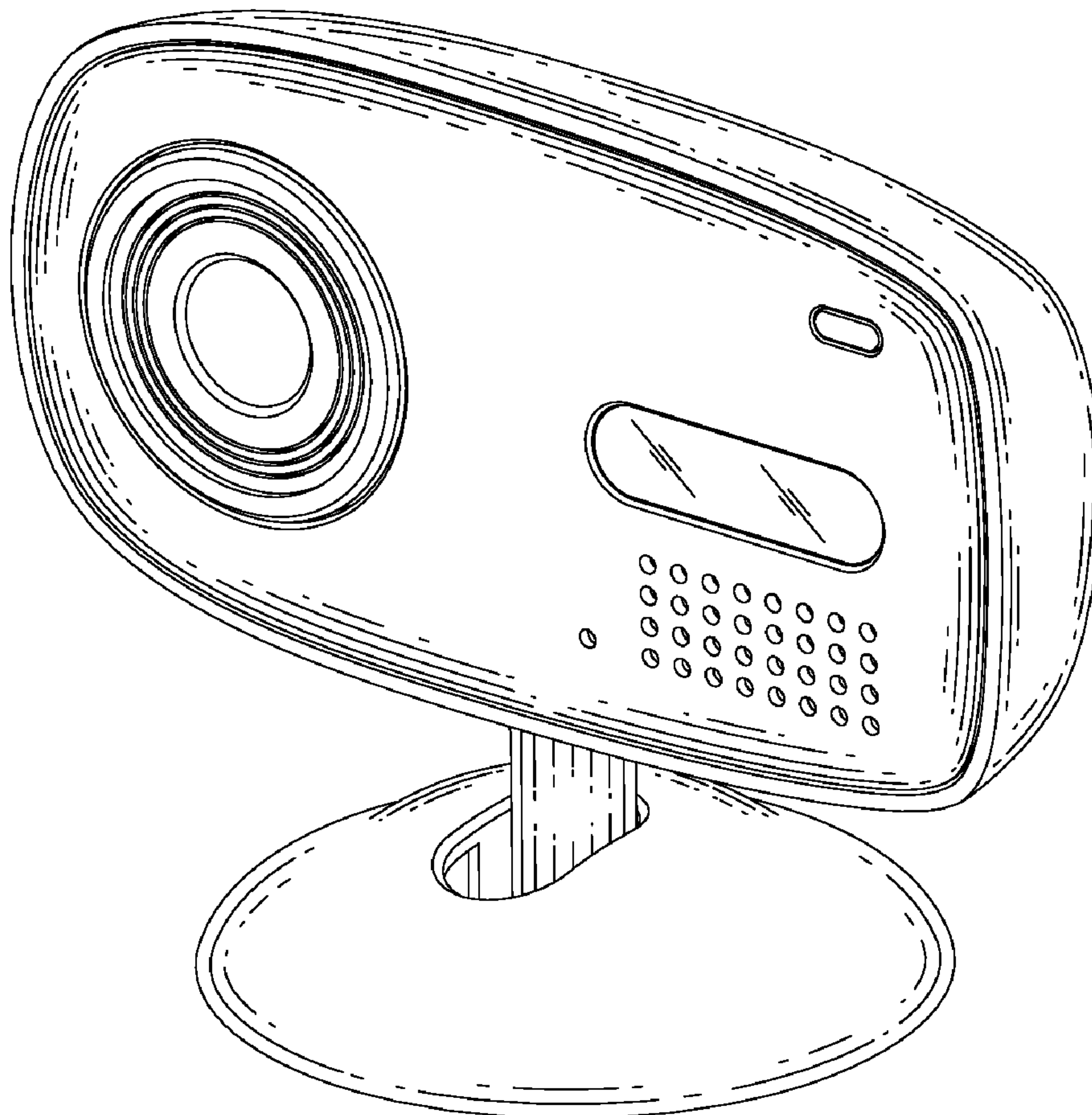
FIG. 7 is a bottom plan view thereof.

(56) **References Cited**

**U.S. PATENT DOCUMENTS**

D536,360 S *	2/2007	Dayan	.....	D16/242
D566,148 S *	4/2008	Akita	.....	D16/202
D570,390 S *	6/2008	Goto	.....	D16/208
D575,316 S *	8/2008	Liu et al.	.....	D16/202

**1 Claim, 7 Drawing Sheets**



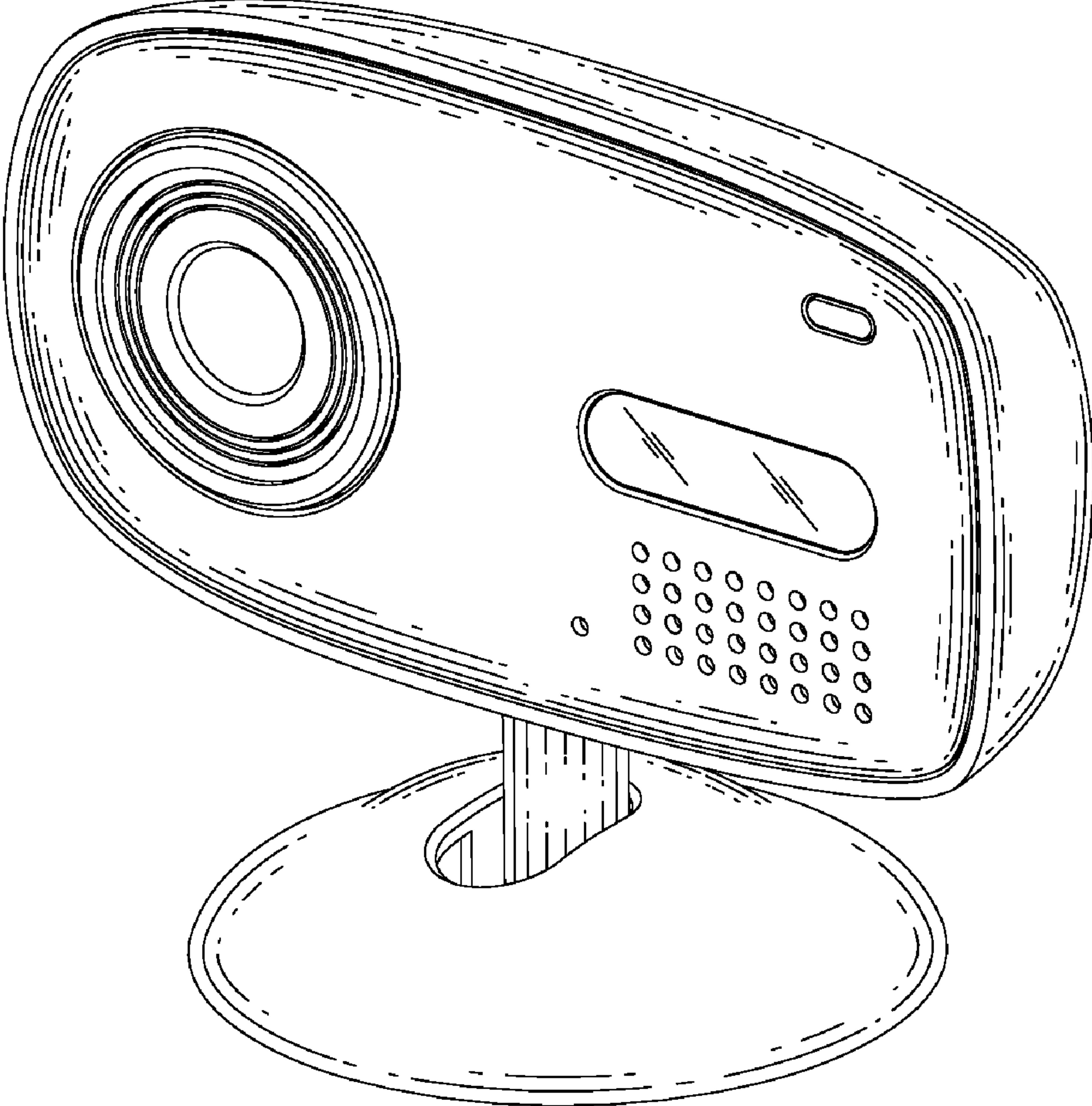


FIG. 1

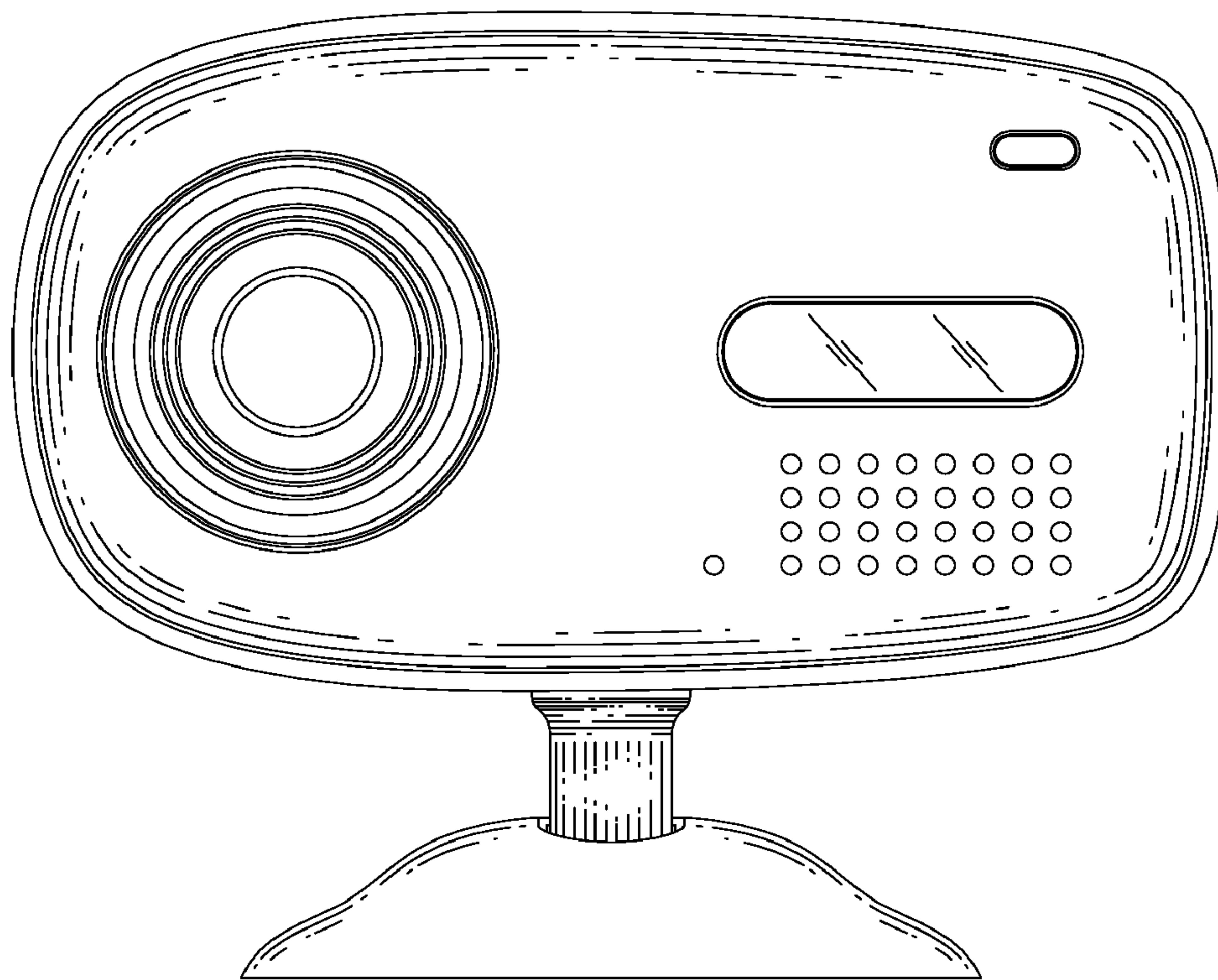


FIG. 2

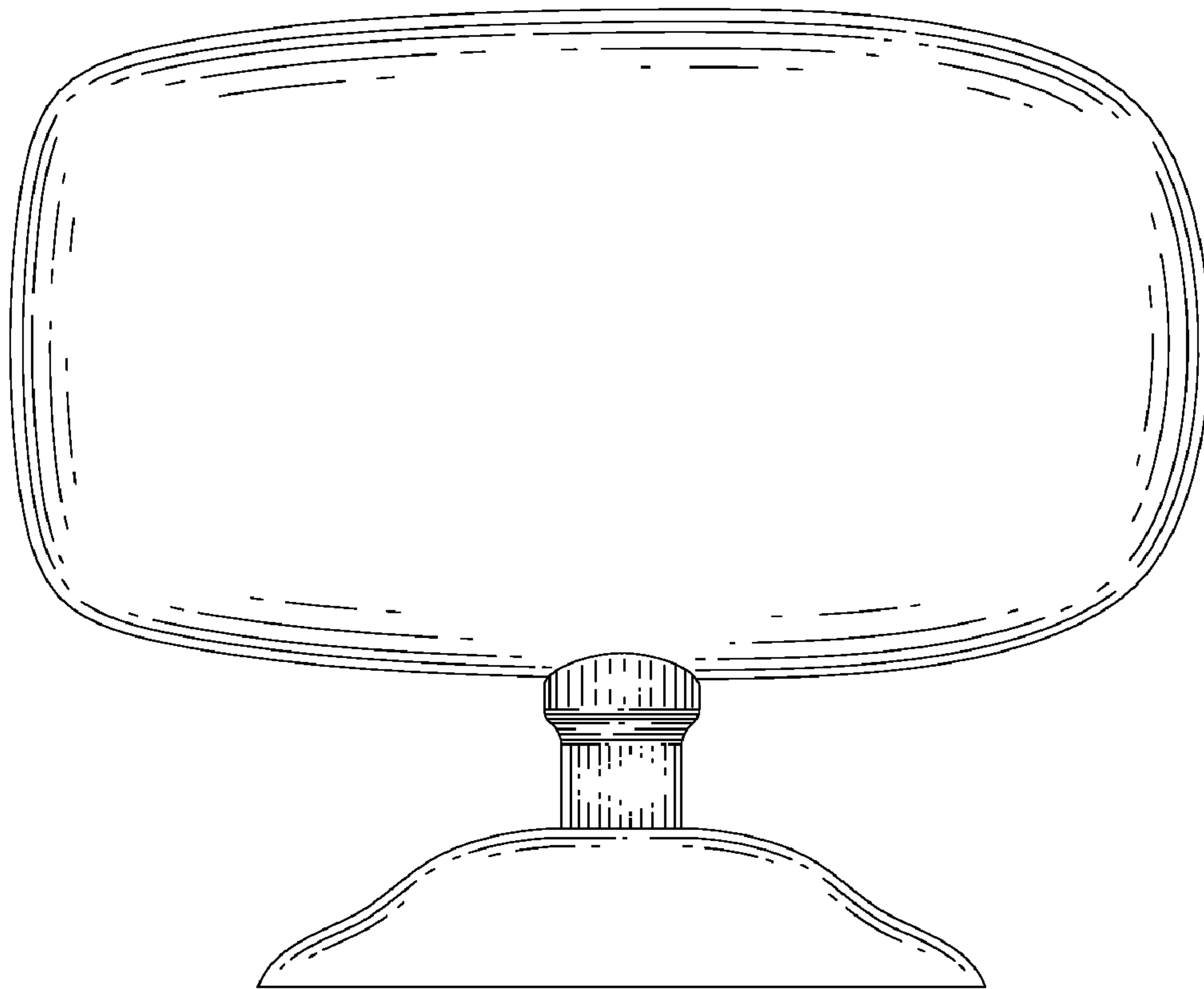


FIG. 3

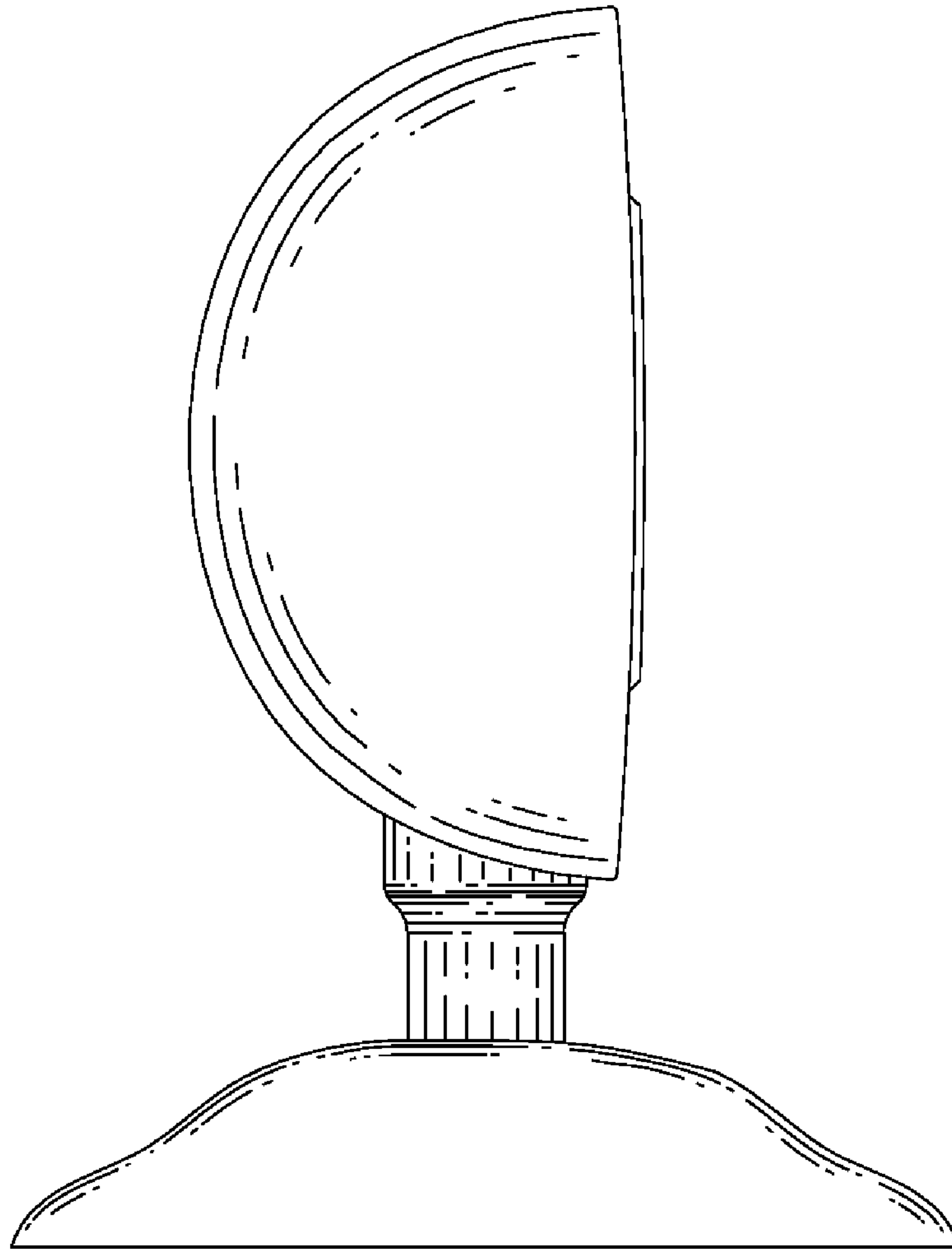


FIG. 4

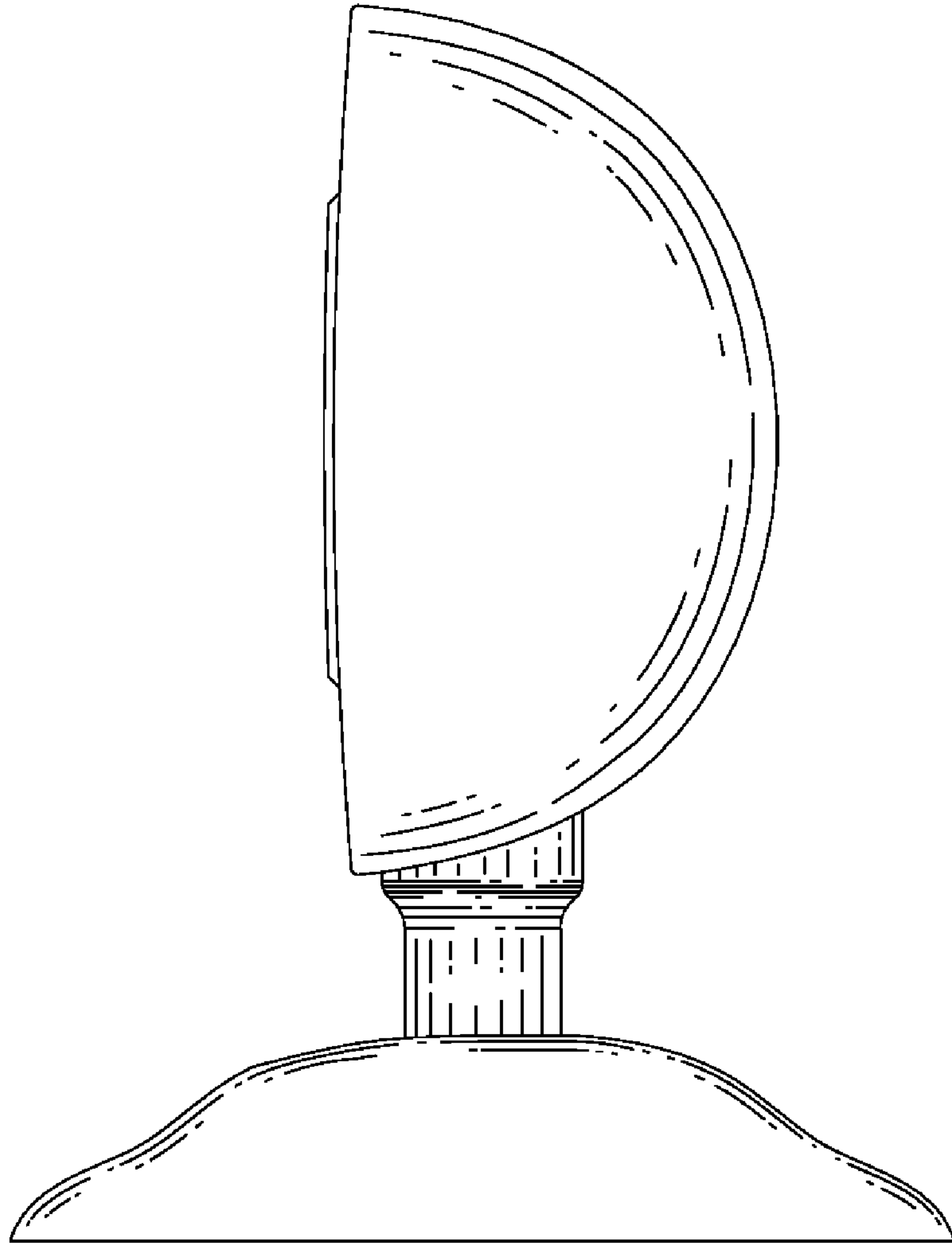


FIG. 5



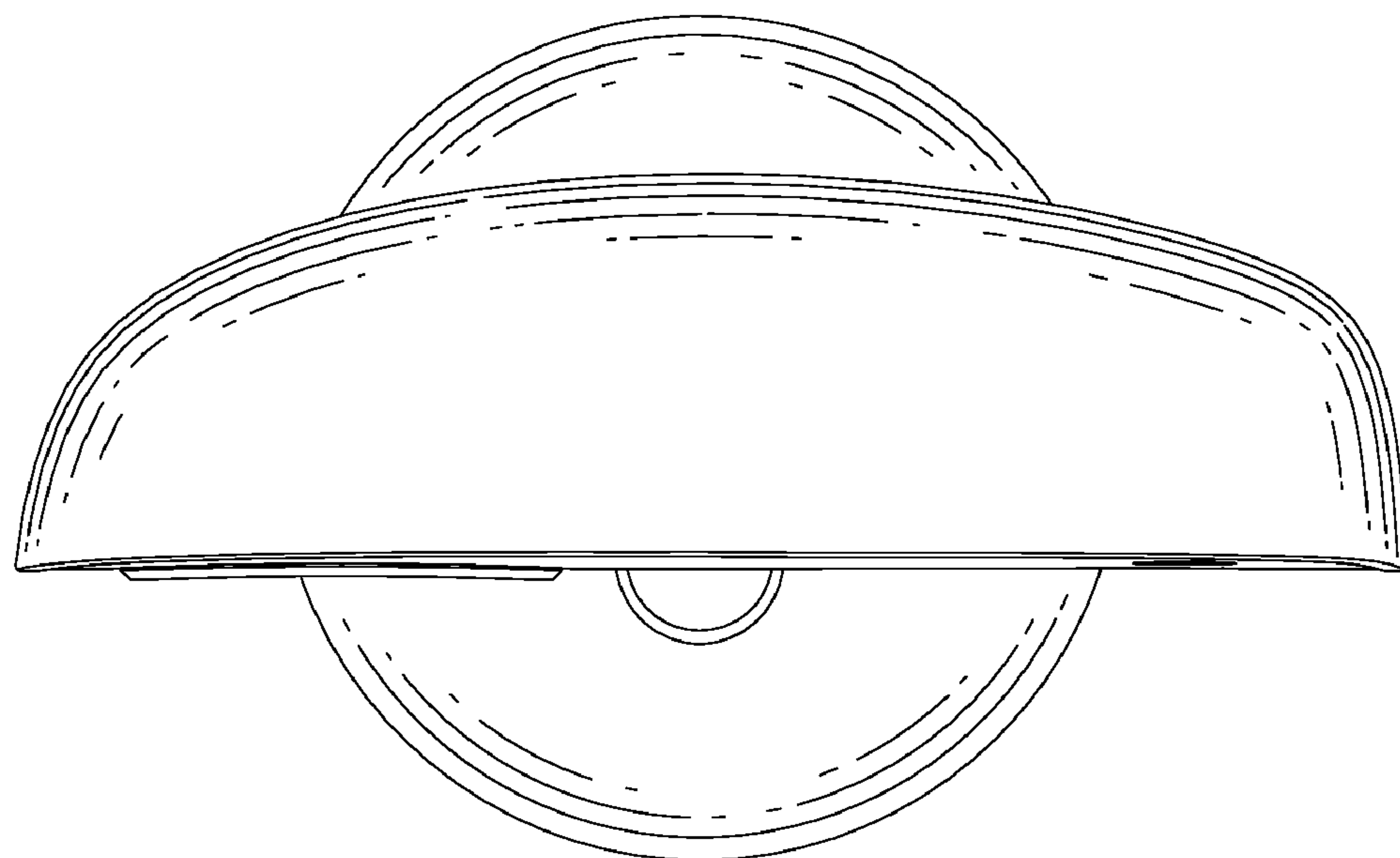


FIG. 6

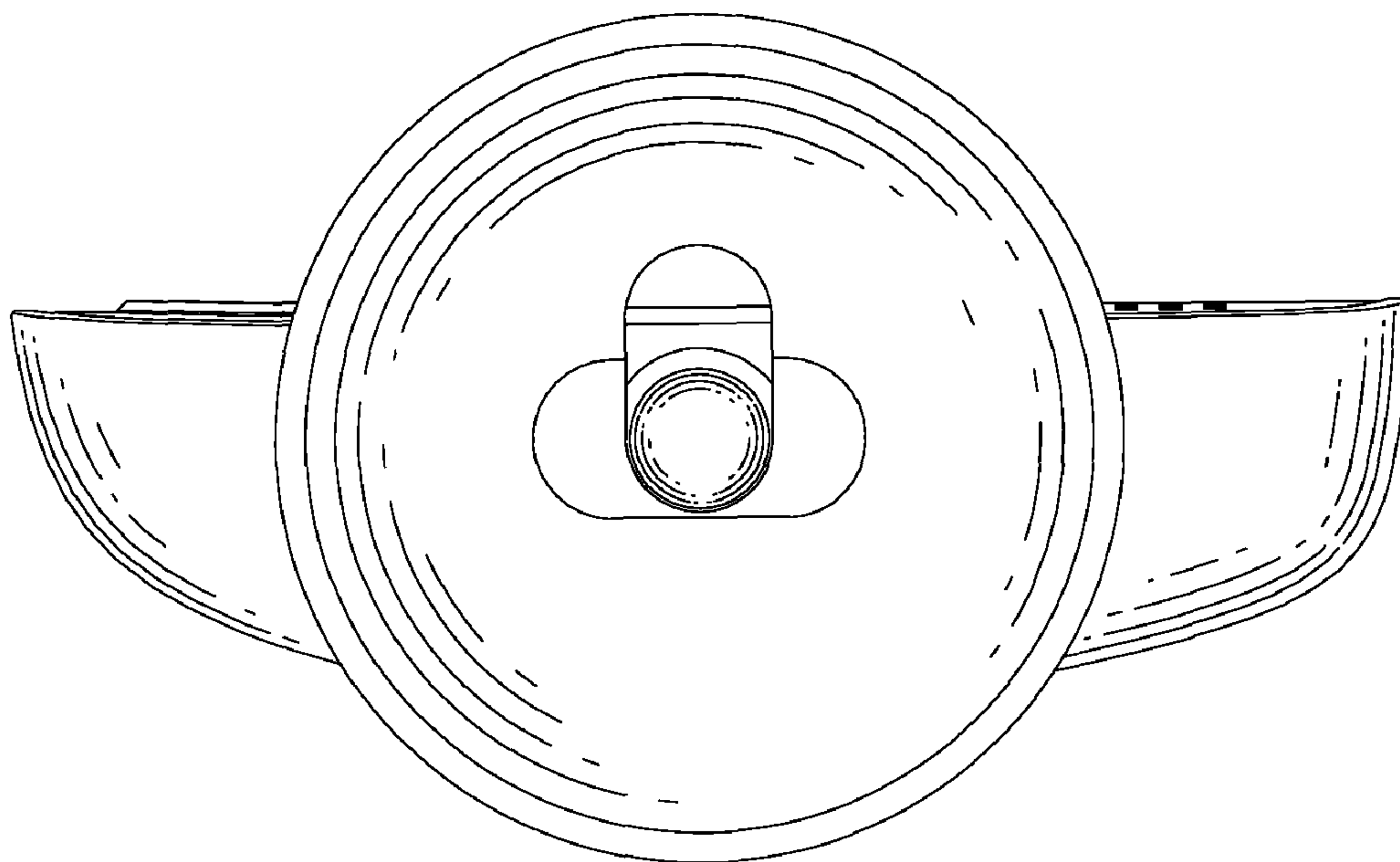


FIG. 7