

US00D632718S

(12) **United States Design Patent**  
**Tzeng**

(10) **Patent No.:** **US D632,718 S**  
(45) **Date of Patent:** **\*\* Feb. 15, 2011**

(54) **WEBCAM**

(75) Inventor: **Guan-Hua Tzeng**, Tu-Cheng (TW)

(73) Assignee: **Cheng Uei Precision Industry Co., Ltd.**, Tu-Cheng, Taipei Hsien (TW)

(\*\*) Term: **14 Years**

(21) Appl. No.: **29/361,209**

(22) Filed: **May 6, 2010**

(51) **LOC (9) Cl.** ..... **16-01**

(52) **U.S. Cl.** ..... **D16/202; D16/242**

(58) **Field of Classification Search** ..... D16/200,  
D16/202, 203, 204, 208, 218, 242; 348/373,  
348/375; 396/419, 427, 428, 535  
See application file for complete search history.

(56) **References Cited**

**U.S. PATENT DOCUMENTS**

D426,249 S *	6/2000	Tsujimoto	.....	D16/202
D487,104 S *	2/2004	Obata	.....	D16/202
D532,807 S *	11/2006	Shih	.....	D16/203
D551,276 S *	9/2007	Lau	.....	D16/202
D566,148 S *	4/2008	Akita	.....	D16/202
D579,967 S *	11/2008	Jones et al.	.....	D16/242

D600,730 S *	9/2009	Su	.....	D16/202
D606,106 S *	12/2009	Kim et al.	.....	D16/218
D614,682 S *	4/2010	Holder	.....	D16/203
7,736,071 B2 *	6/2010	Wahl et al.	.....	396/419

\* cited by examiner

*Primary Examiner*—Adir Aronovich

(74) *Attorney, Agent, or Firm*—Cheng-Ju Chiang

(57) **CLAIM**

The ornamental design for a webcam, as shown and described.

**DESCRIPTION**

FIG. 1 is a front and right side perspective view of a webcam showing my new design;

FIG. 2 is a front elevational view thereof;

FIG. 3 is a rear elevational view thereof;

FIG. 4 is a left side elevational view thereof;

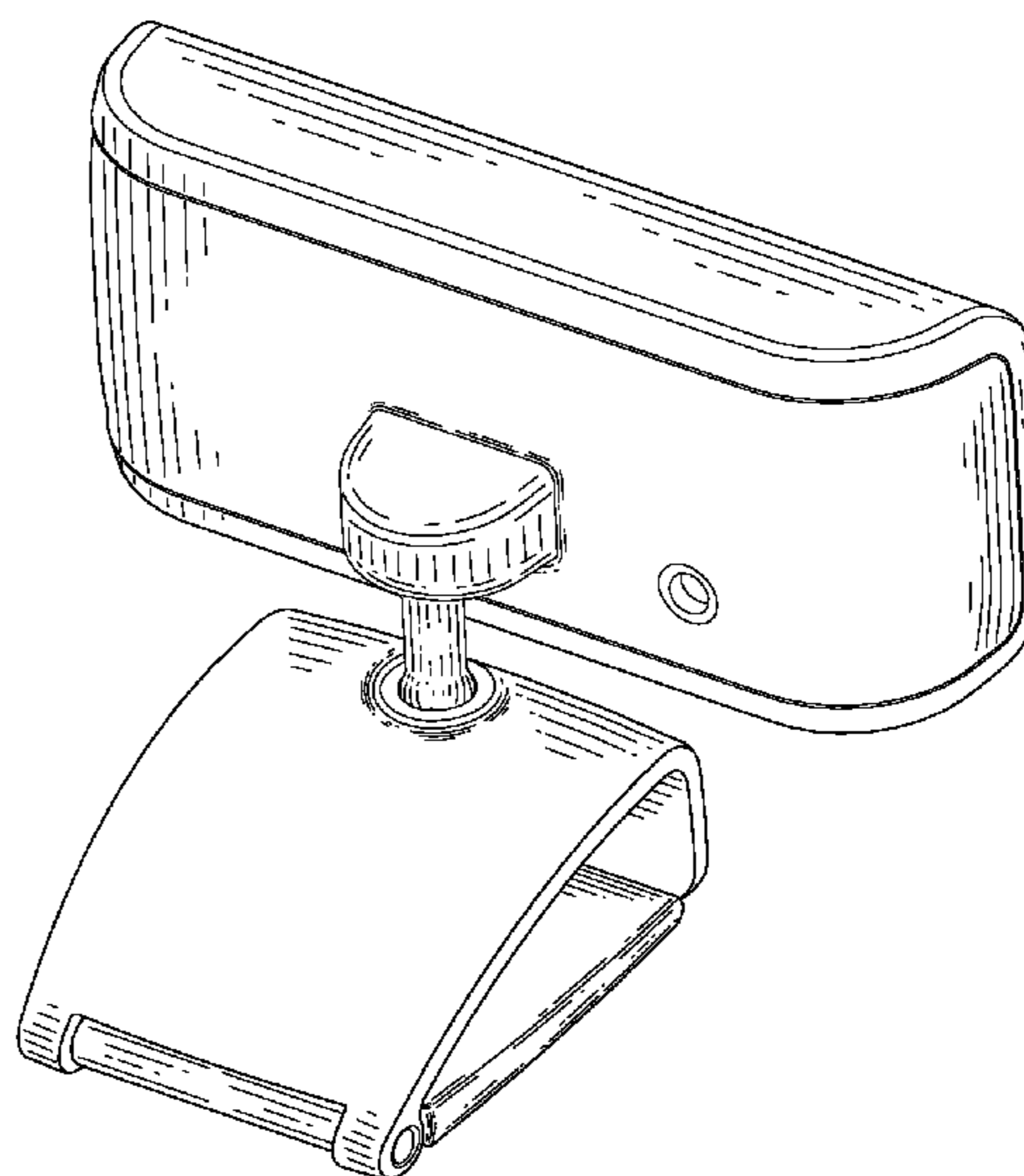
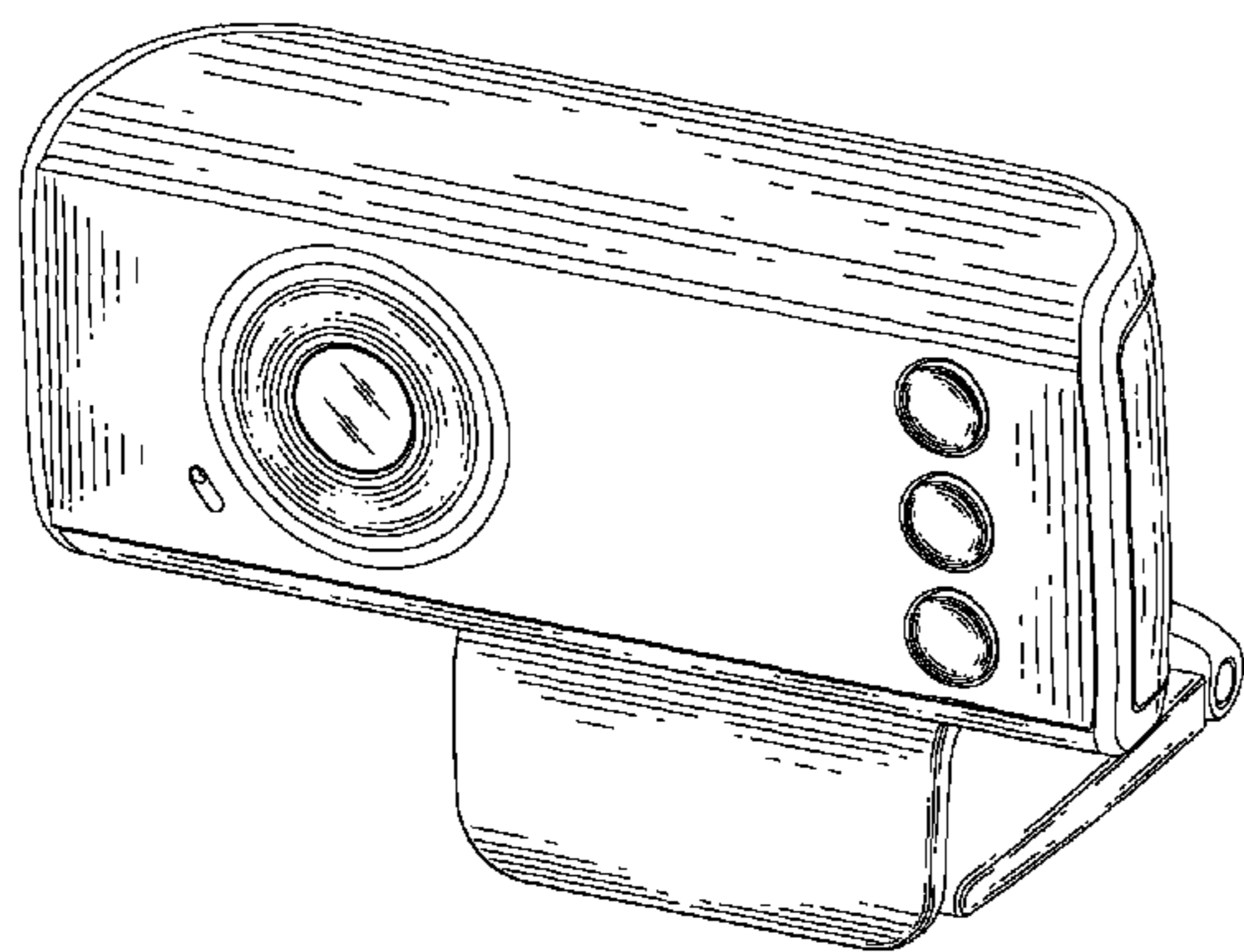
FIG. 5 is a right side elevational view thereof;

FIG. 6 is a top plan view thereof;

FIG. 7 is a bottom plan view thereof; and,

FIG. 8 is a rear and left side perspective view thereof.

**1 Claim, 8 Drawing Sheets**



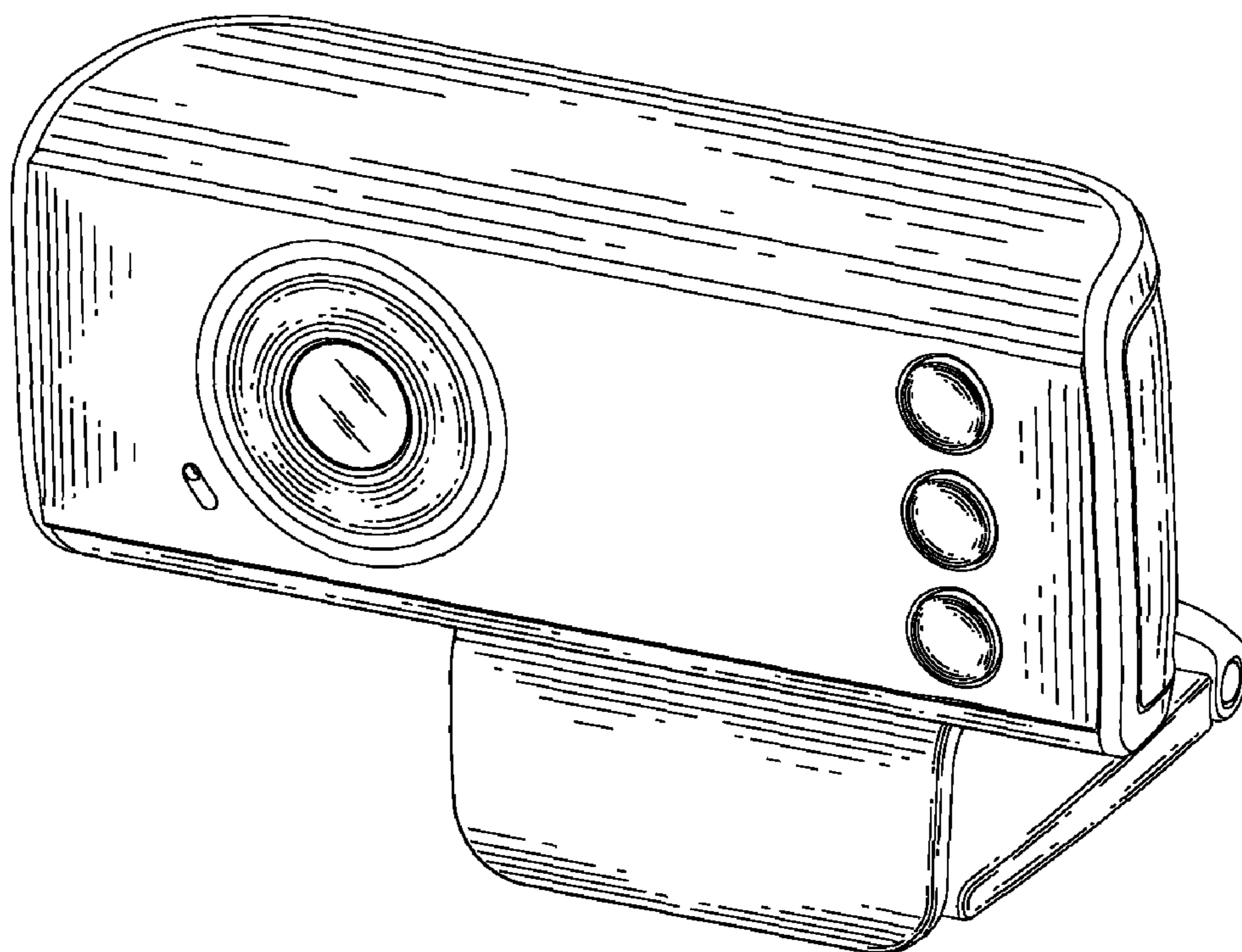


FIG. 1

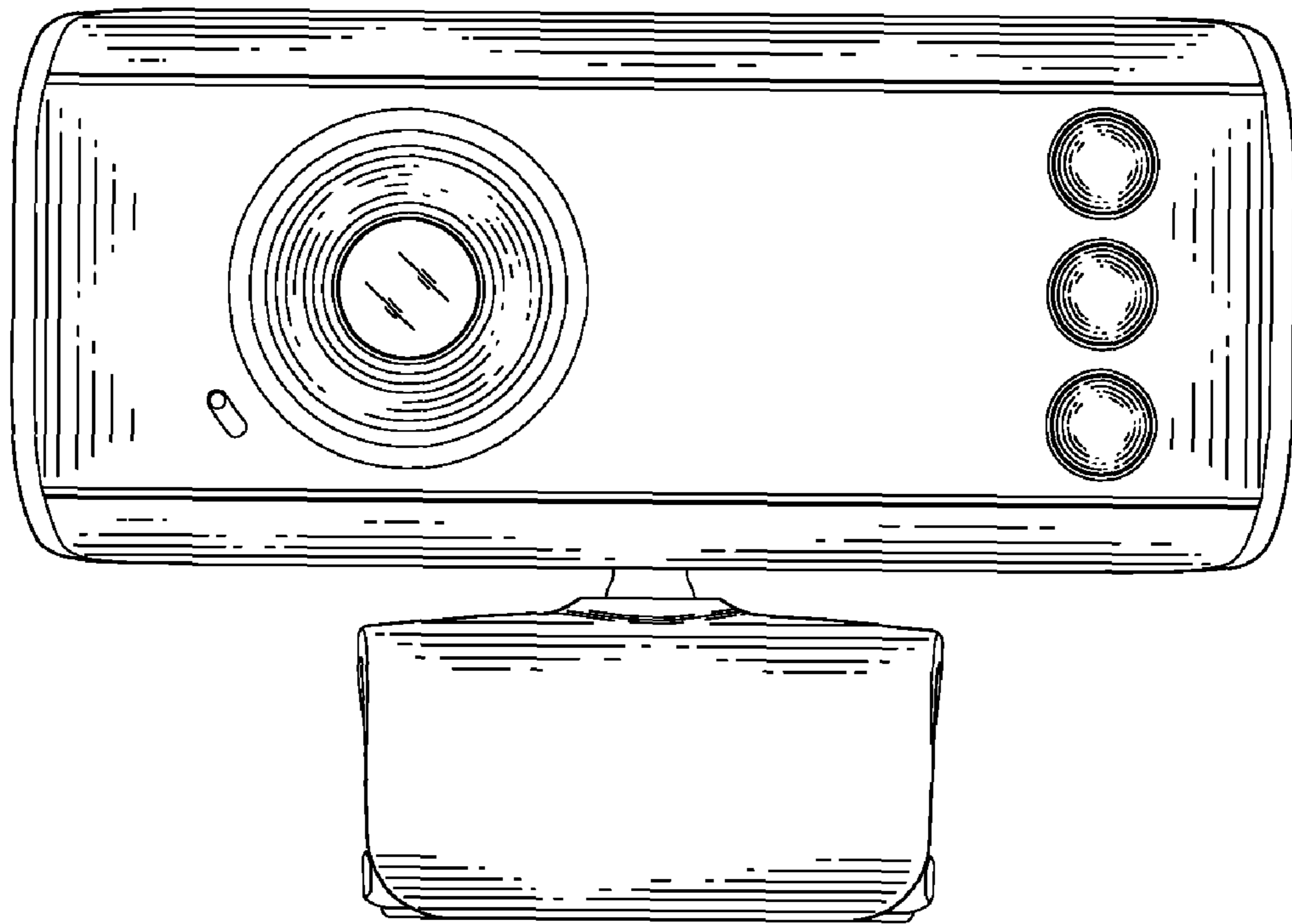


FIG. 2

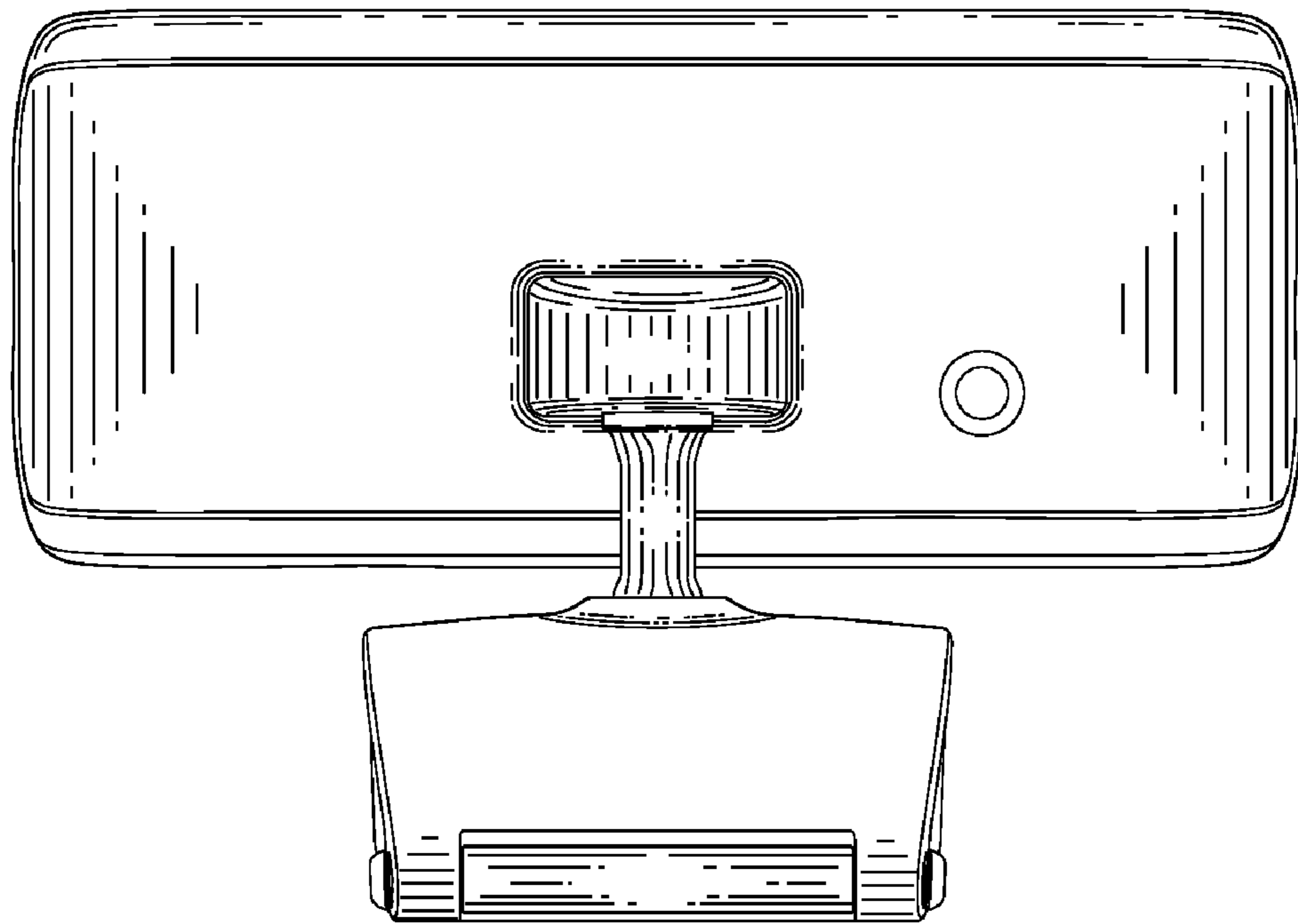


FIG. 3

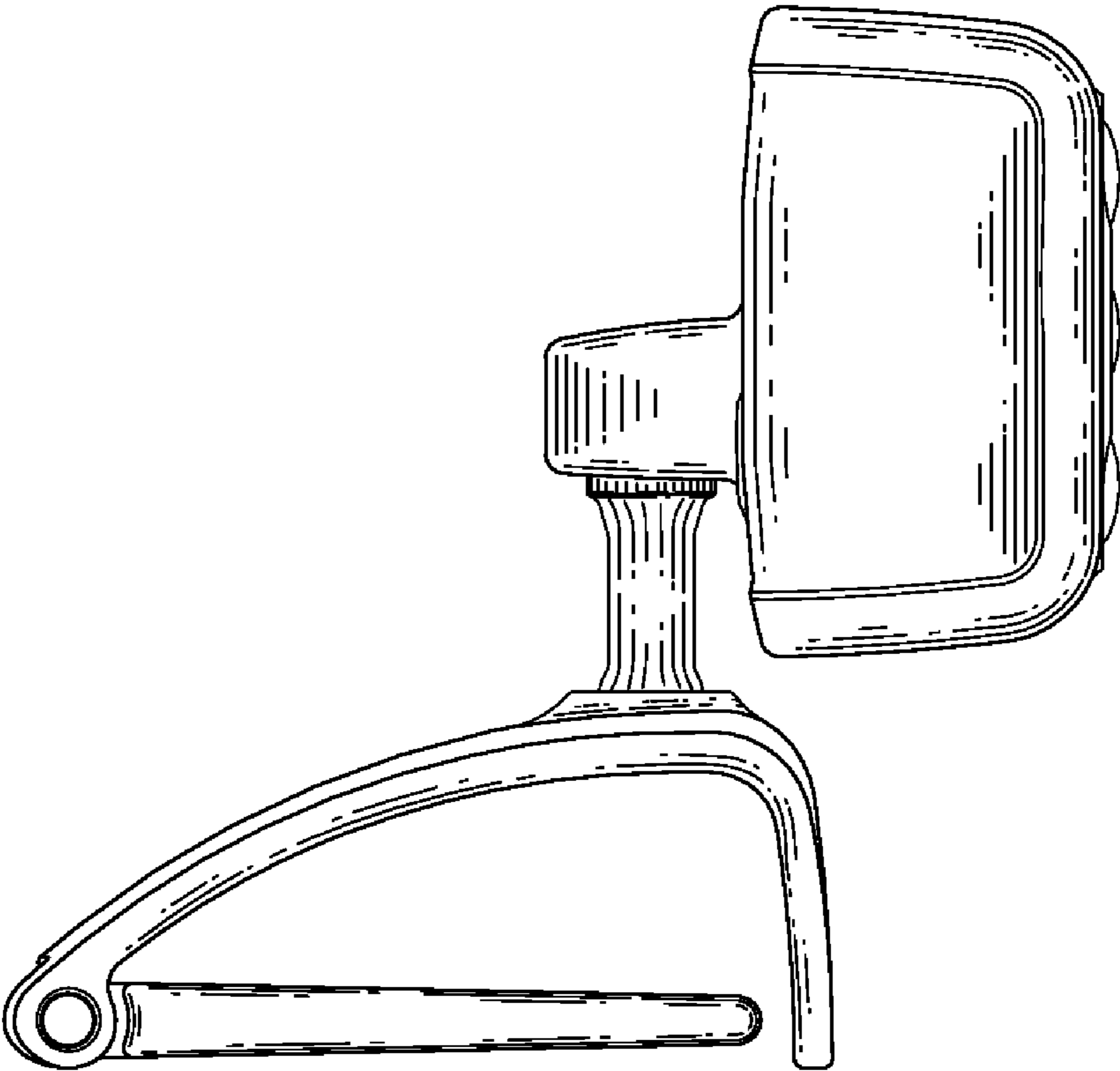


FIG. 4

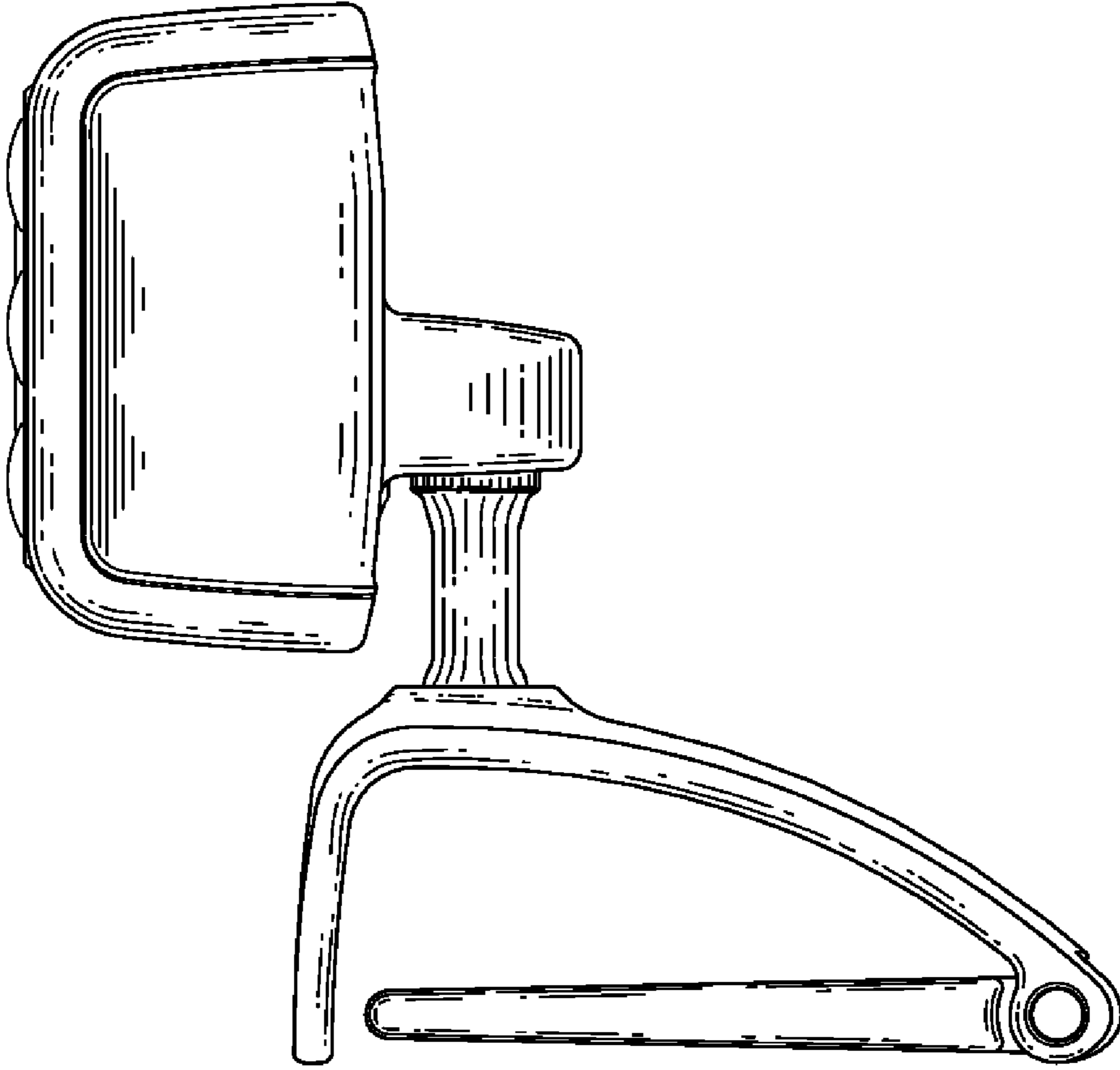


FIG. 5

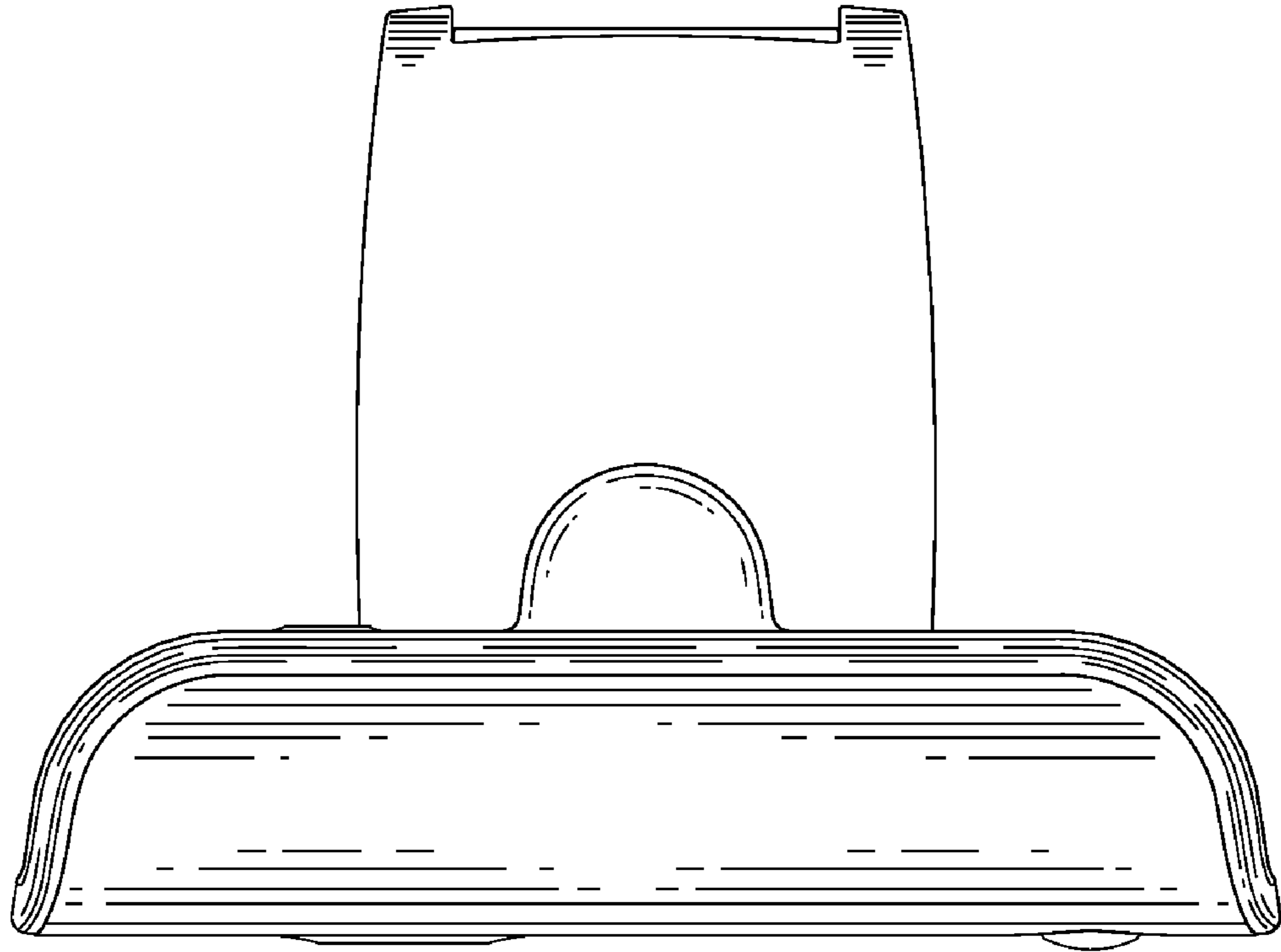


FIG. 6

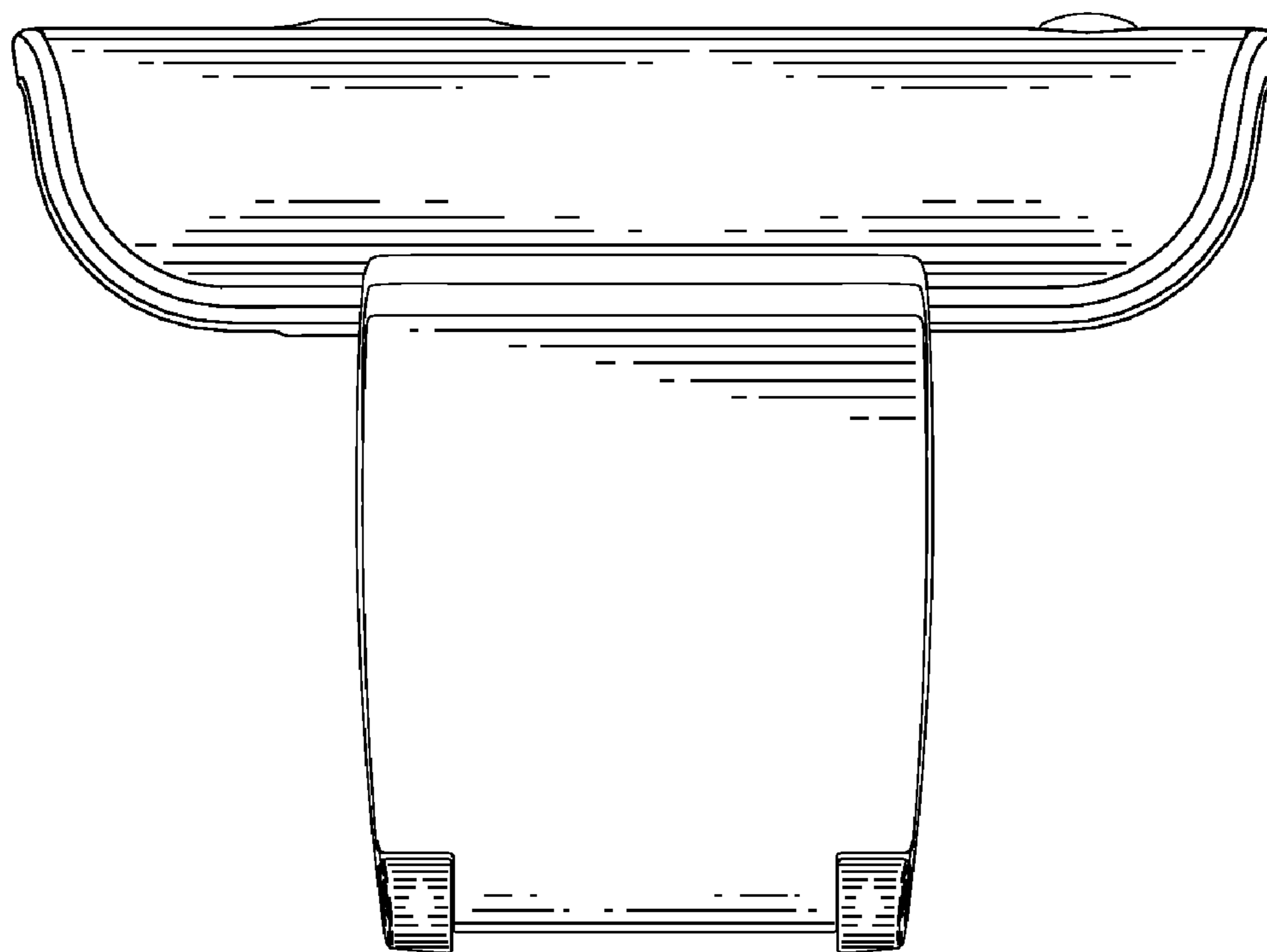


FIG. 7



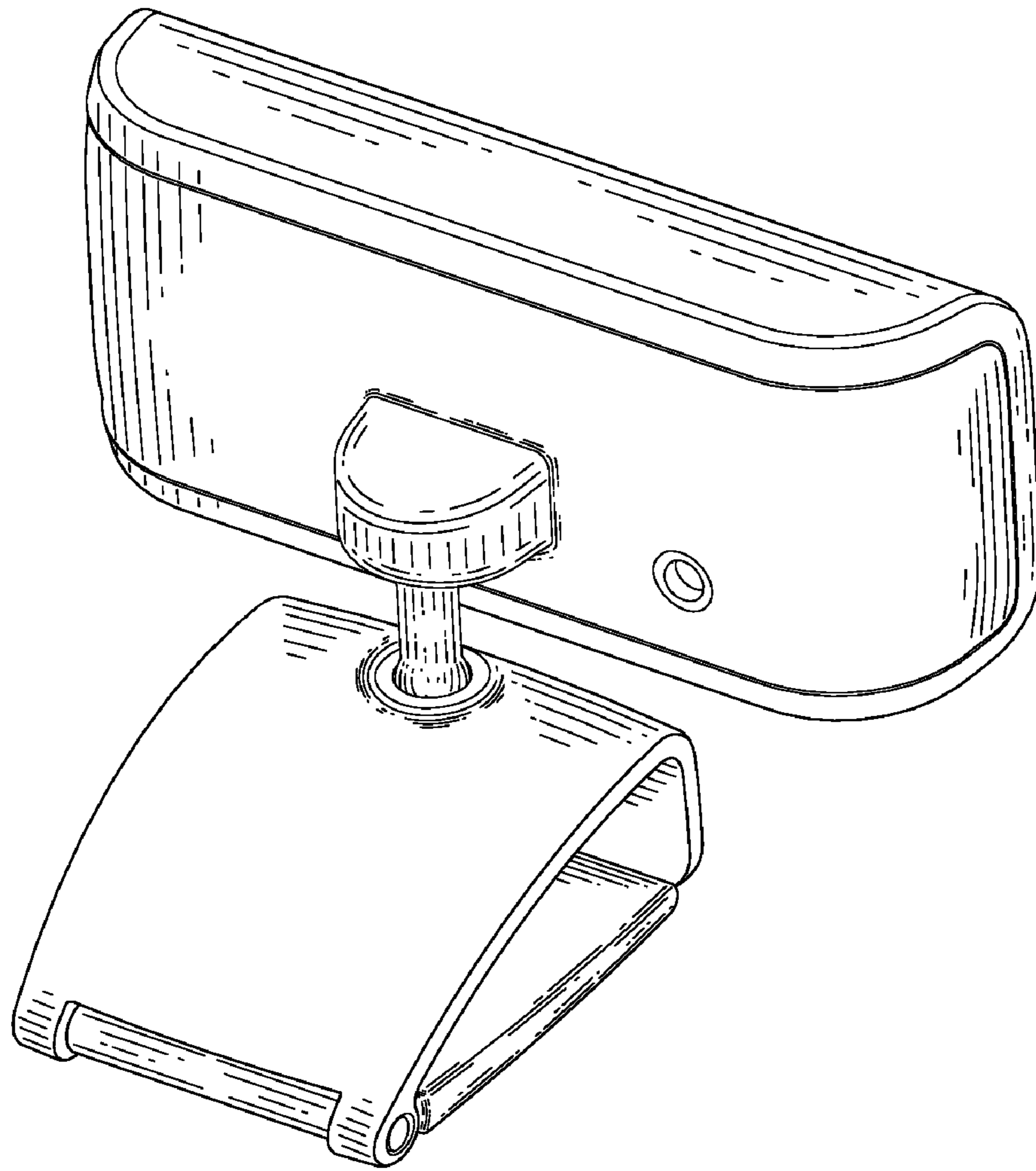


FIG. 8