



US00D632717S

(12) **United States Design Patent**
Maerzhaeuser et al.

(10) **Patent No.:** **US D632,717 S**
(45) **Date of Patent:** **** Feb. 15, 2011**

(54) **MICROSCOPE TABLE**

(75) Inventors: **Guenter Maerzhaeuser**, Wetzlar (DE);
Sebastian Scherer, Lahnau (DE)

(73) Assignee: **Maerzhaeuser Wetzlar GmbH & Co.**
KG, Wetzlar (DE)

(**) Term: **14 Years**

(21) Appl. No.: **29/353,596**

(22) Filed: **Jan. 12, 2010**

(30) **Foreign Application Priority Data**

Jul. 13, 2009 (EM) 001580663-0001
Jul. 13, 2009 (EM) 001580663-0002

(51) **LOC (9) Cl.** **16-06**

(52) **U.S. Cl.** **D16/131**

(58) **Field of Classification Search** D16/130,
D16/131, 136; 359/375, 376, 377, 368, 369,
359/389, 393, 390, 391, 392, 557, 385; 74/490.13;
269/59, 60

See application file for complete search history.

(56) **References Cited**

U.S. PATENT DOCUMENTS

2,776,596 A * 1/1957 Eigen 29/467
3,652,146 A * 3/1972 George 359/392
3,765,745 A * 10/1973 Burboeck 359/393
4,012,111 A * 3/1977 Masterson 359/391
4,189,953 A * 2/1980 Volk 74/490.13
4,402,576 A * 9/1983 Stahl et al. 359/393
4,552,033 A * 11/1985 Marzhauser 74/490.13
4,557,568 A * 12/1985 Van Benschoten 359/393
4,711,537 A * 12/1987 Schindl et al. 359/393
4,766,465 A * 8/1988 Takahashi 355/53
5,364,790 A * 11/1994 Atwood et al. 435/287.2
5,623,853 A * 4/1997 Novak et al. 74/490.09

5,786,936 A * 7/1998 Baumann et al. 359/557
5,991,005 A * 11/1999 Horikawa et al. 355/53
5,996,437 A * 12/1999 Novak et al. 74/490.09
6,134,981 A * 10/2000 Novak et al. 74/490.09
6,920,803 B2 * 7/2005 Hasegawa 74/89.22
6,943,942 B2 * 9/2005 Horiguchi et al. 359/381
7,180,662 B2 * 2/2007 Rondeau et al. 359/393
7,293,885 B2 * 11/2007 Kramer et al. 359/601
7,308,747 B2 * 12/2007 Smith et al. 29/434
D596,655 S * 7/2009 Maerzhaeuser D16/131
7,576,912 B2 * 8/2009 Schutze et al. 359/391
D601,178 S * 9/2009 Apotheloz D16/131
7,791,796 B2 * 9/2010 Ue et al. 359/393

* cited by examiner

Primary Examiner—Paula Greene

(74) *Attorney, Agent, or Firm*—Crowell & Moring LLP

(57) **CLAIM**

The ornamental design for a microscope table, as shown and described.

DESCRIPTION

FIG. 1 is a top, right perspective view of a microscope table according to our design;

FIG. 2 is a bottom, right perspective view thereof;

FIG. 3 is a top, left perspective view thereof;

FIG. 4 is a bottom, left perspective view thereof;

FIG. 5 is a top view thereof;

FIG. 6 is a bottom view thereof;

FIG. 7 is a front view thereof;

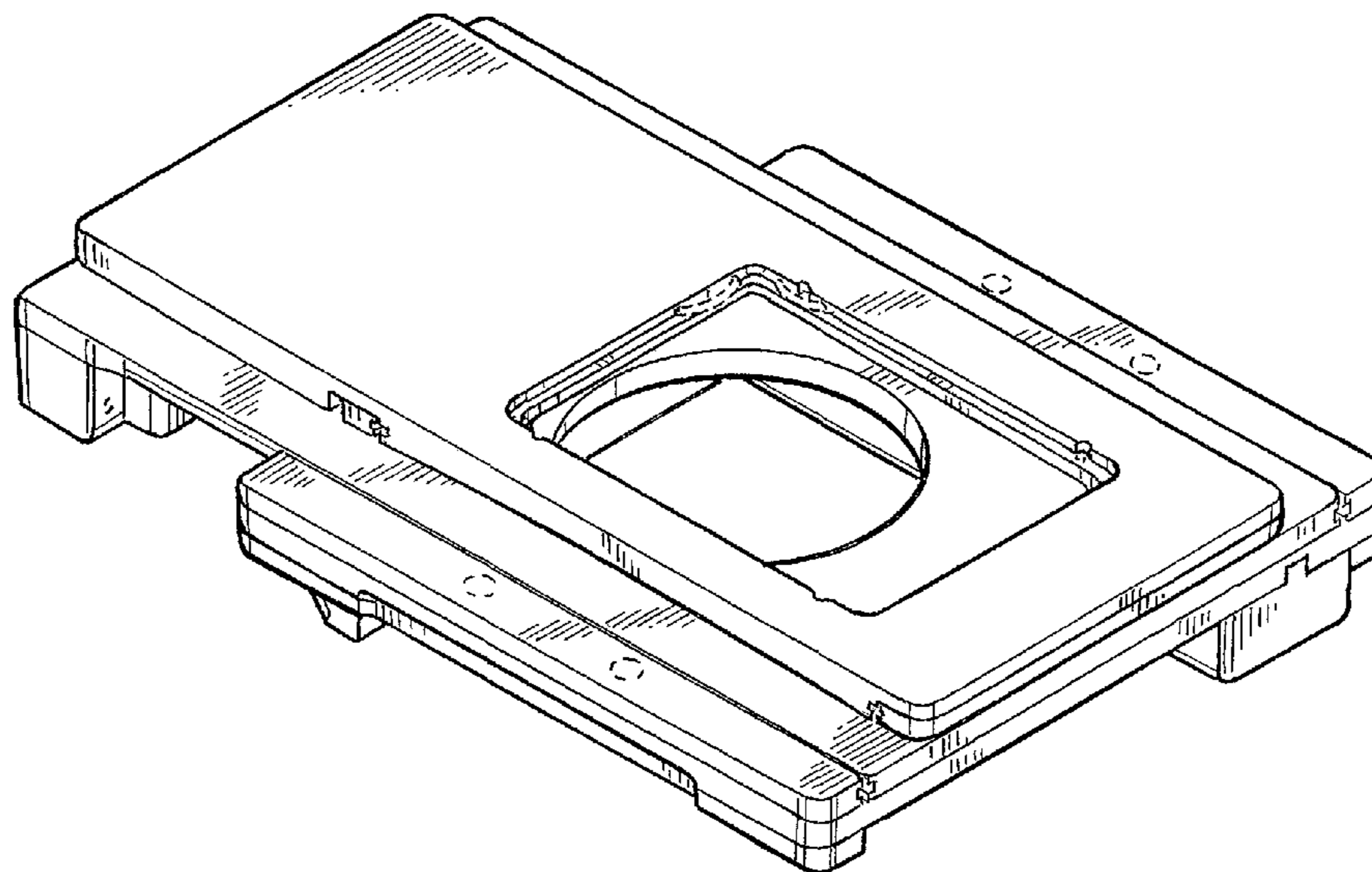
FIG. 8 is a rear view thereof;

FIG. 9 is a right view thereof; and,

FIG. 10 is a left view thereof.

The broken lines form no part of the claimed design.

1 Claim, 5 Drawing Sheets



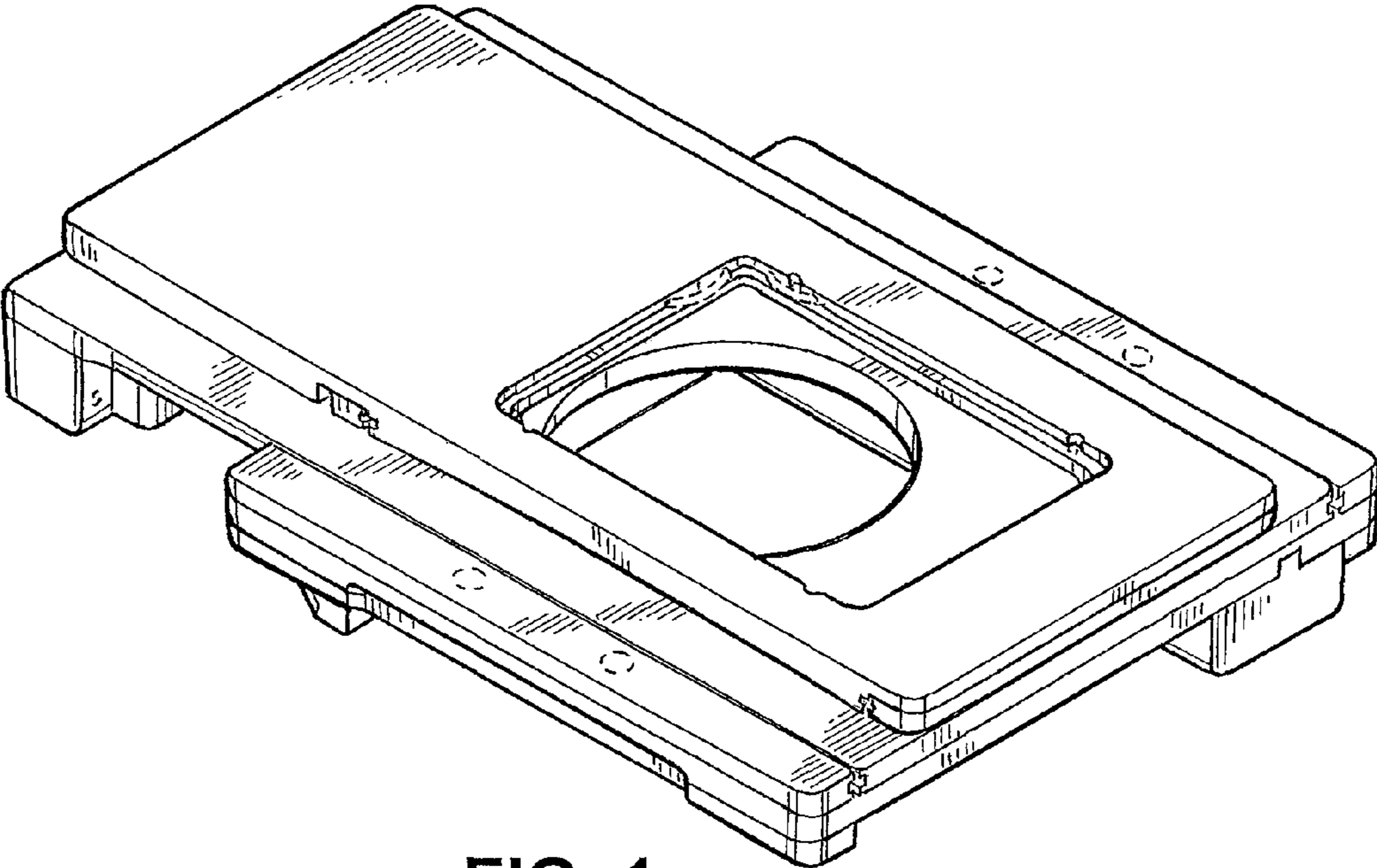


FIG. 1

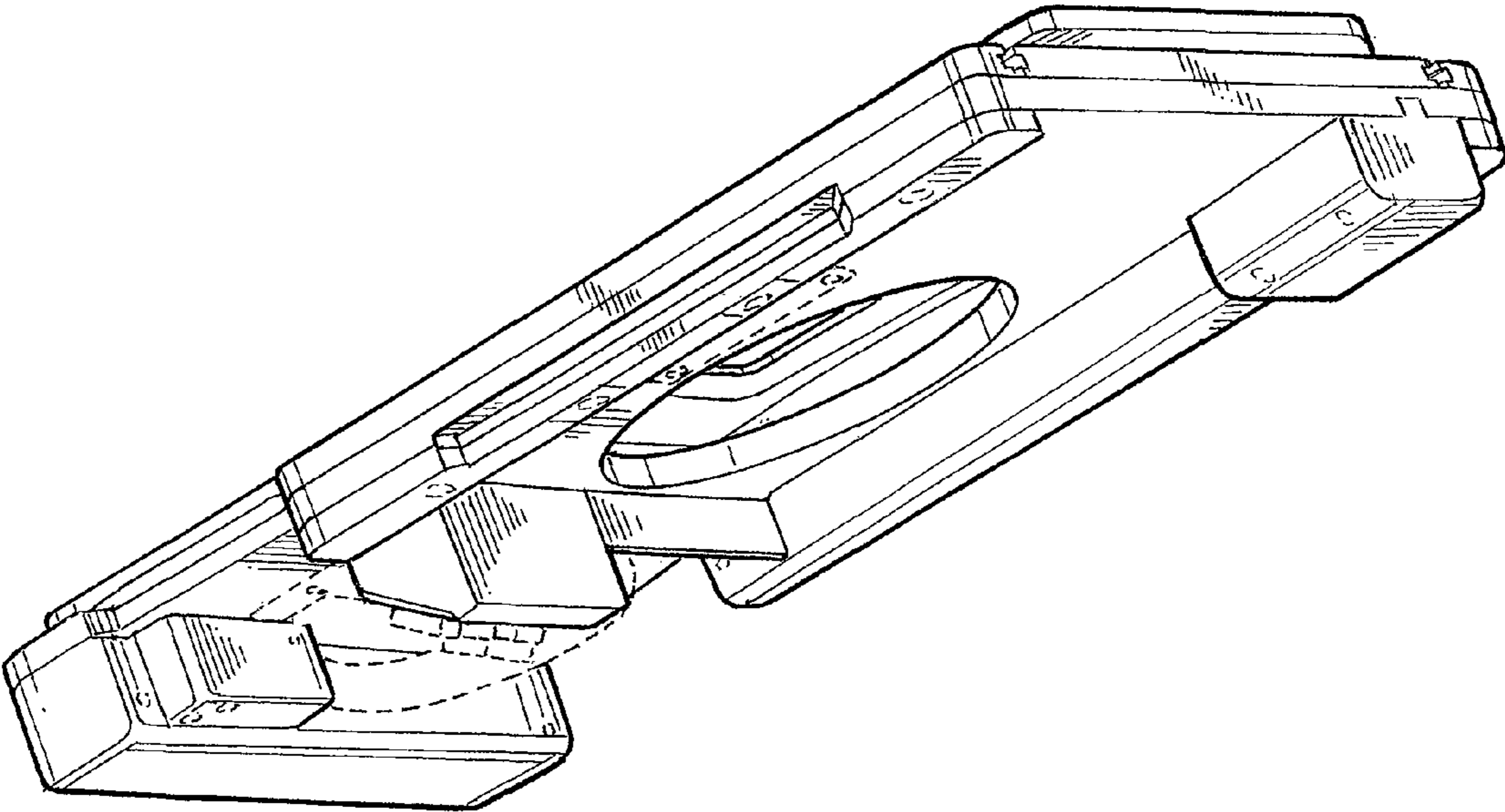


FIG. 2

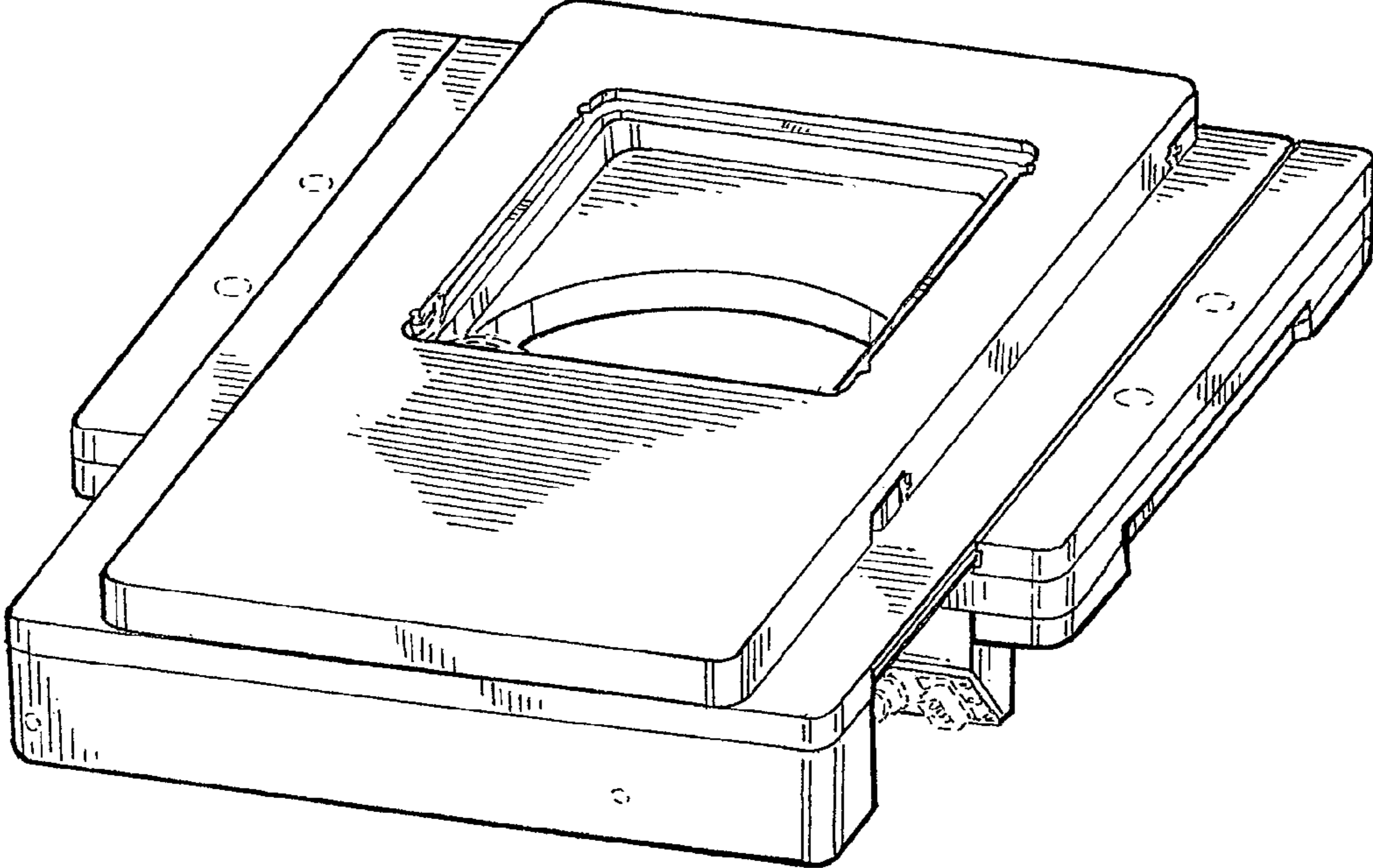


FIG. 3

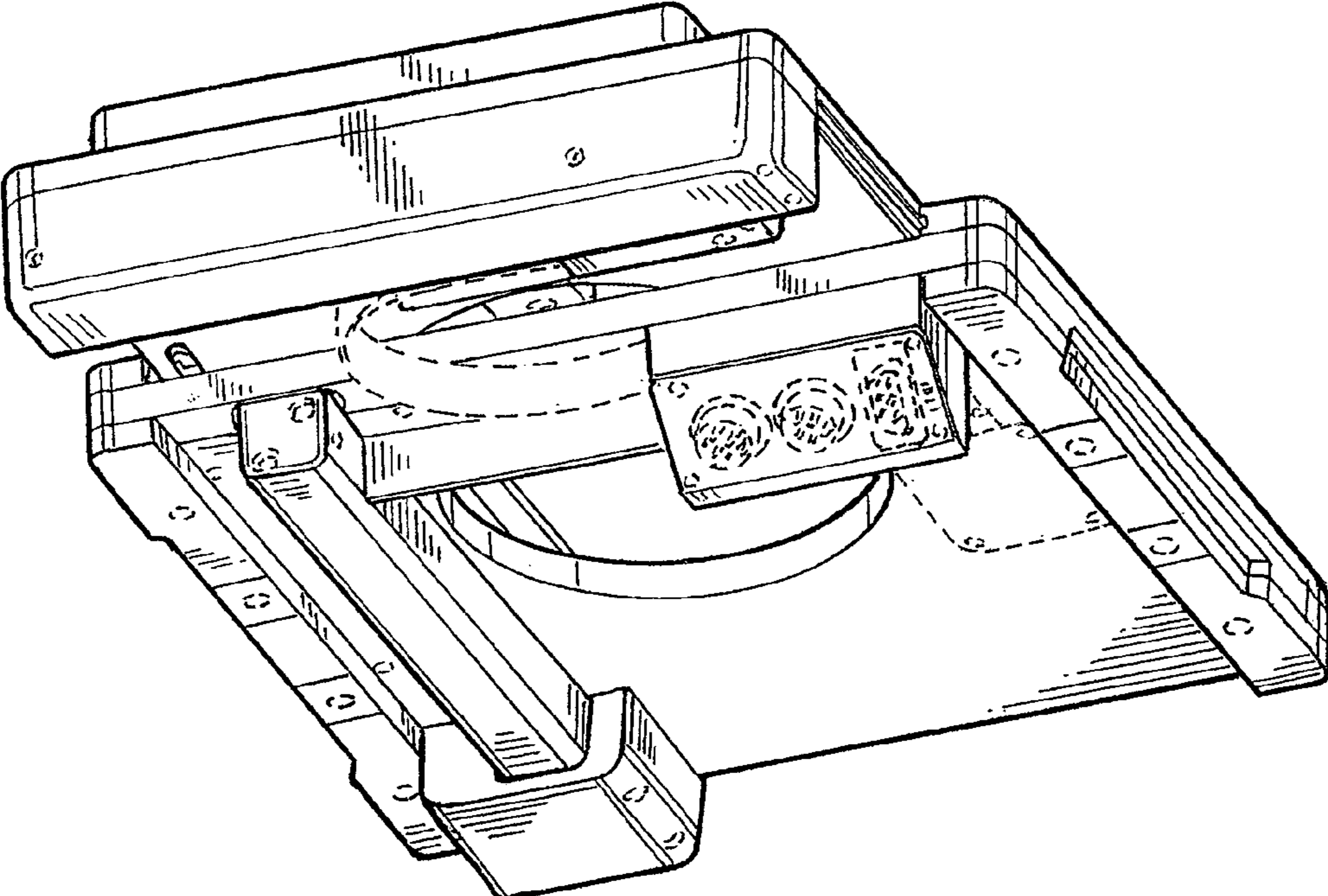


FIG. 4

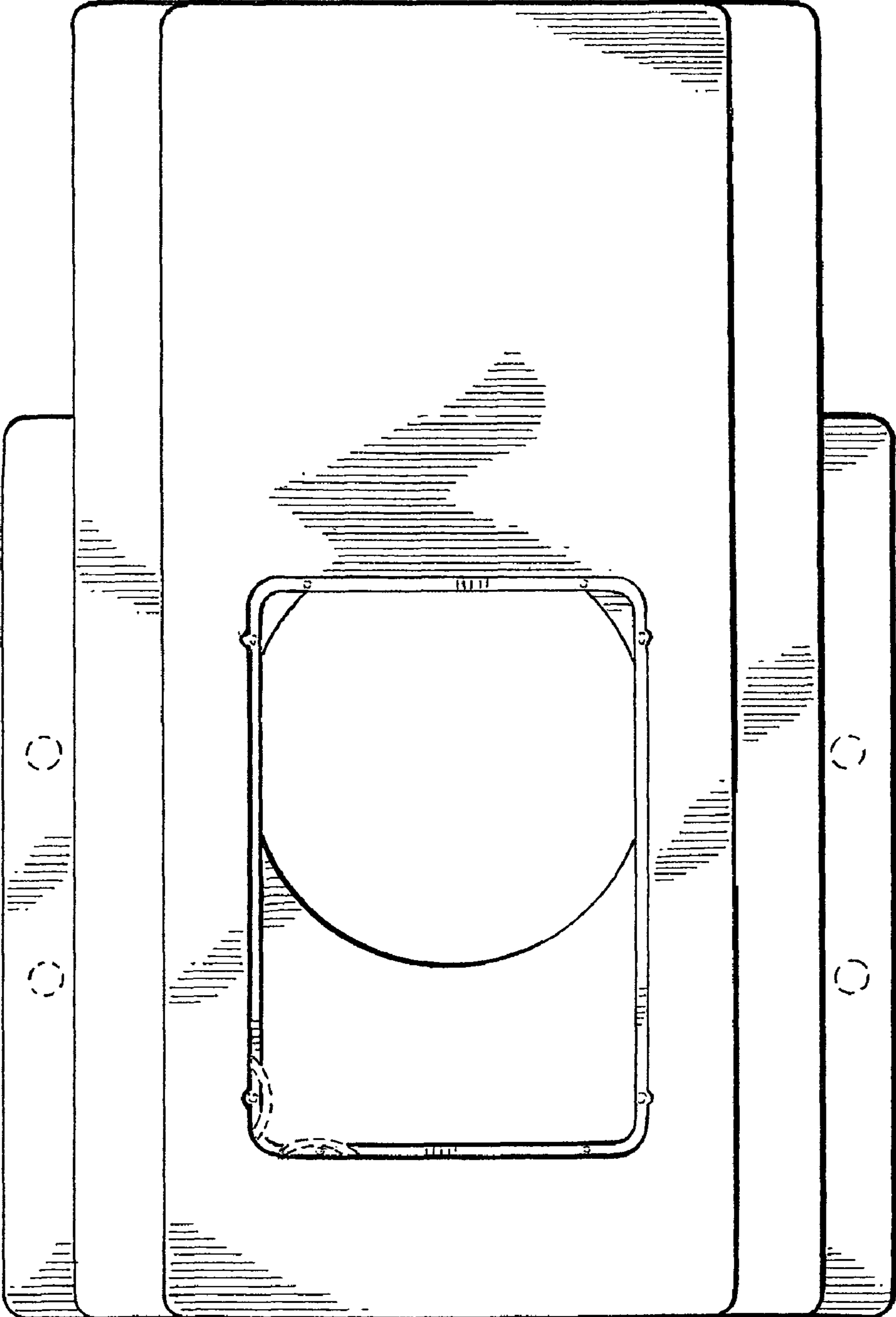


FIG. 5

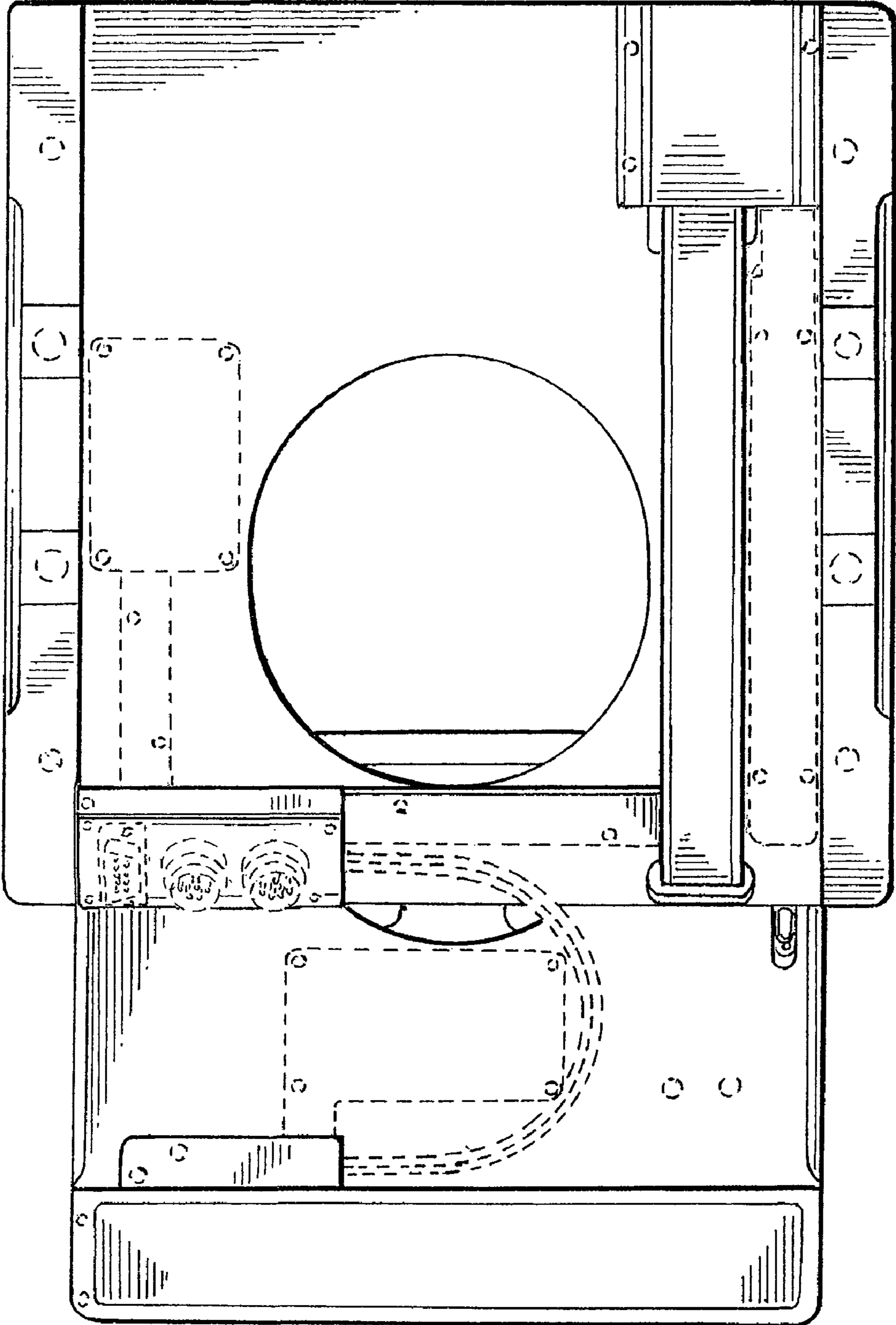


FIG. 6

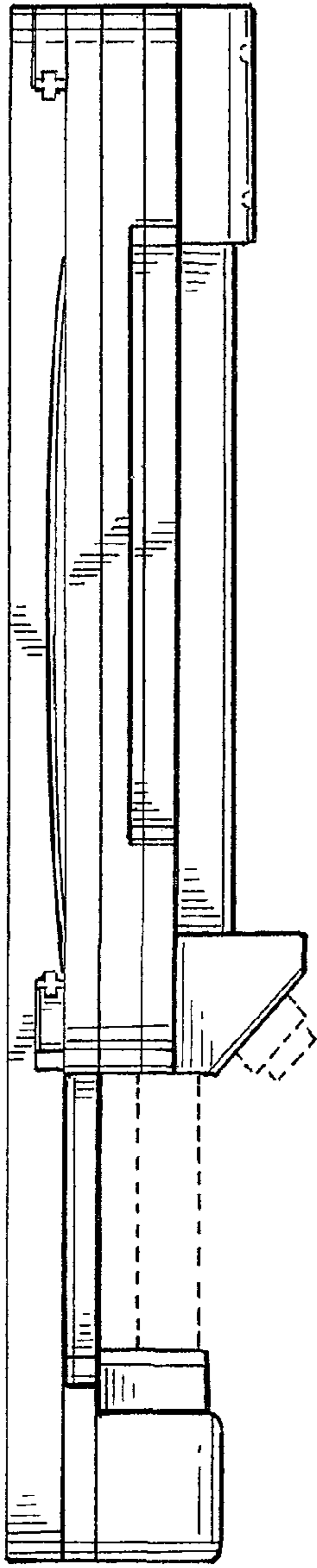


FIG. 7

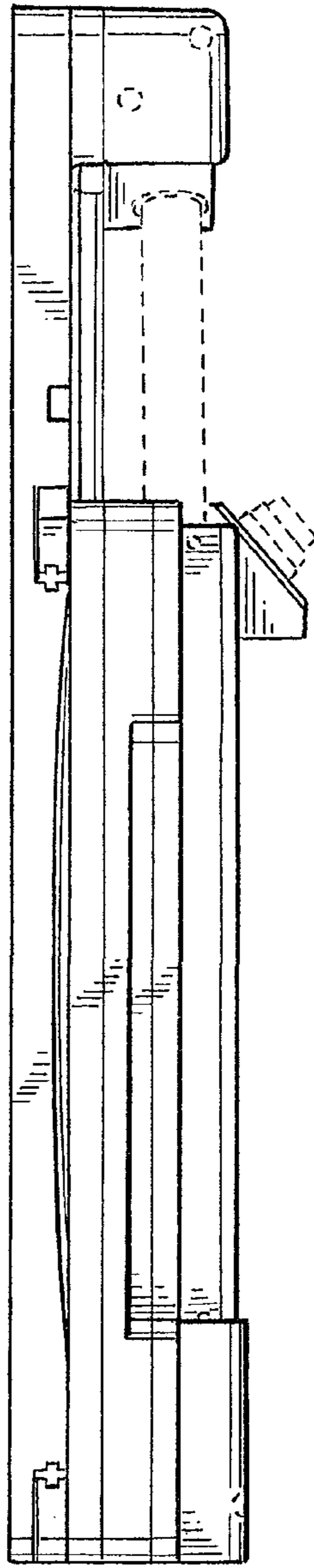


FIG. 8

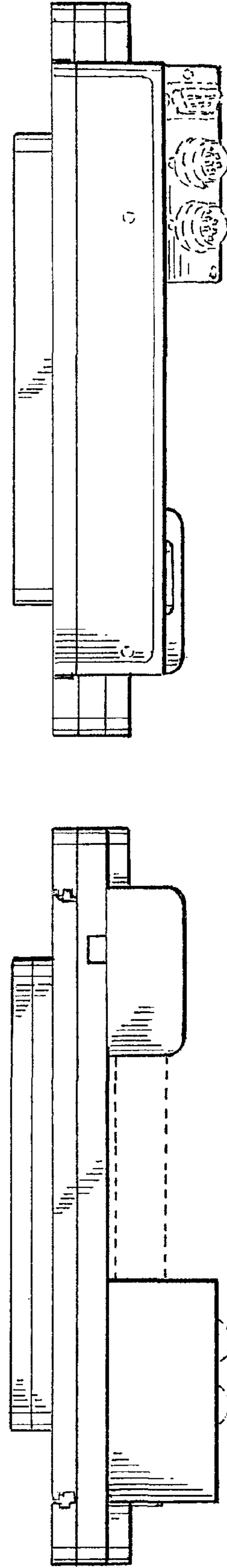


FIG. 9

FIG. 10