



US00D632711S

(12) **United States Design Patent**
Faraj

(10) **Patent No.:** **US D632,711 S**

(45) **Date of Patent:** **** Feb. 15, 2011**

(54) **BEAD ATTACHMENT MACHINE**

(76) Inventor: **Zaher Faraj**, 703 Stewart St.,
Ridgefield, NJ (US) 07657

(**) Term: **14 Years**

(21) Appl. No.: **29/345,183**

(22) Filed: **Oct. 12, 2009**

(51) **LOC (9) Cl.** **15-09**

(52) **U.S. Cl.** **D15/128**

(58) **Field of Classification Search** D15/128,
D15/199; D18/15; 12/49; 29/454; 53/334,
53/338, 339, 340, 351, 353; 65/154, 155;
72/84, 105, 106, 107, 110, 383; 413/27;
445/66

See application file for complete search history.

(56) **References Cited**

U.S. PATENT DOCUMENTS

| | | | | | | |
|-----------|---|---|---------|----------------|-------|------------|
| D13,292 | S | * | 9/1882 | Lipman | | D15/128 |
| 1,690,191 | A | * | 11/1928 | Erickson | | 12/49 |
| 1,773,854 | A | * | 8/1930 | Peters | | 413/27 |
| D114,149 | S | * | 4/1939 | Jackson et al. | | D18/15 |
| D155,154 | S | * | 9/1949 | Halvorsen | | D15/128 |
| 2,491,119 | A | * | 12/1949 | Lewis | | 29/243.517 |
| 3,062,263 | A | * | 11/1962 | Austing et al. | | 72/94 |
| 3,527,588 | A | * | 9/1970 | Aiken et al. | | 65/154 |
| 3,648,503 | A | * | 3/1972 | Harper | | 72/84 |
| 3,724,250 | A | * | 4/1973 | Molino | | 72/171 |
| D228,682 | S | * | 10/1973 | Gramling | | D15/128 |

| | | | | | | |
|--------------|----|---|---------|------------------|-------|---------|
| 3,771,285 | A | * | 11/1973 | Bertario | | 53/334 |
| D231,862 | S | * | 6/1974 | Gramling | | D15/128 |
| D233,911 | S | * | 12/1974 | Marsh | | D15/123 |
| D239,320 | S | * | 3/1976 | Doyel | | D15/123 |
| D273,121 | S | * | 3/1984 | Rawson | | D18/15 |
| D480,103 | S | * | 9/2003 | Stefanski et al. | | D18/15 |
| 2002/0062673 | A1 | * | 5/2002 | Krehle | | 72/179 |

* cited by examiner

Primary Examiner—Patricia Palasik

(74) *Attorney, Agent, or Firm*—Furr Law Firm; Jeffrey M. Furr, Esq.

(57) **CLAIM**

The ornamental design for a bead attachment machine, as shown.

DESCRIPTION

FIG. 1 is a left side view of the bead attachment machine showing my new design;

FIG. 2 is a back view thereof;

FIG. 3 is a front view thereof;

FIG. 4 is a right side view thereof;

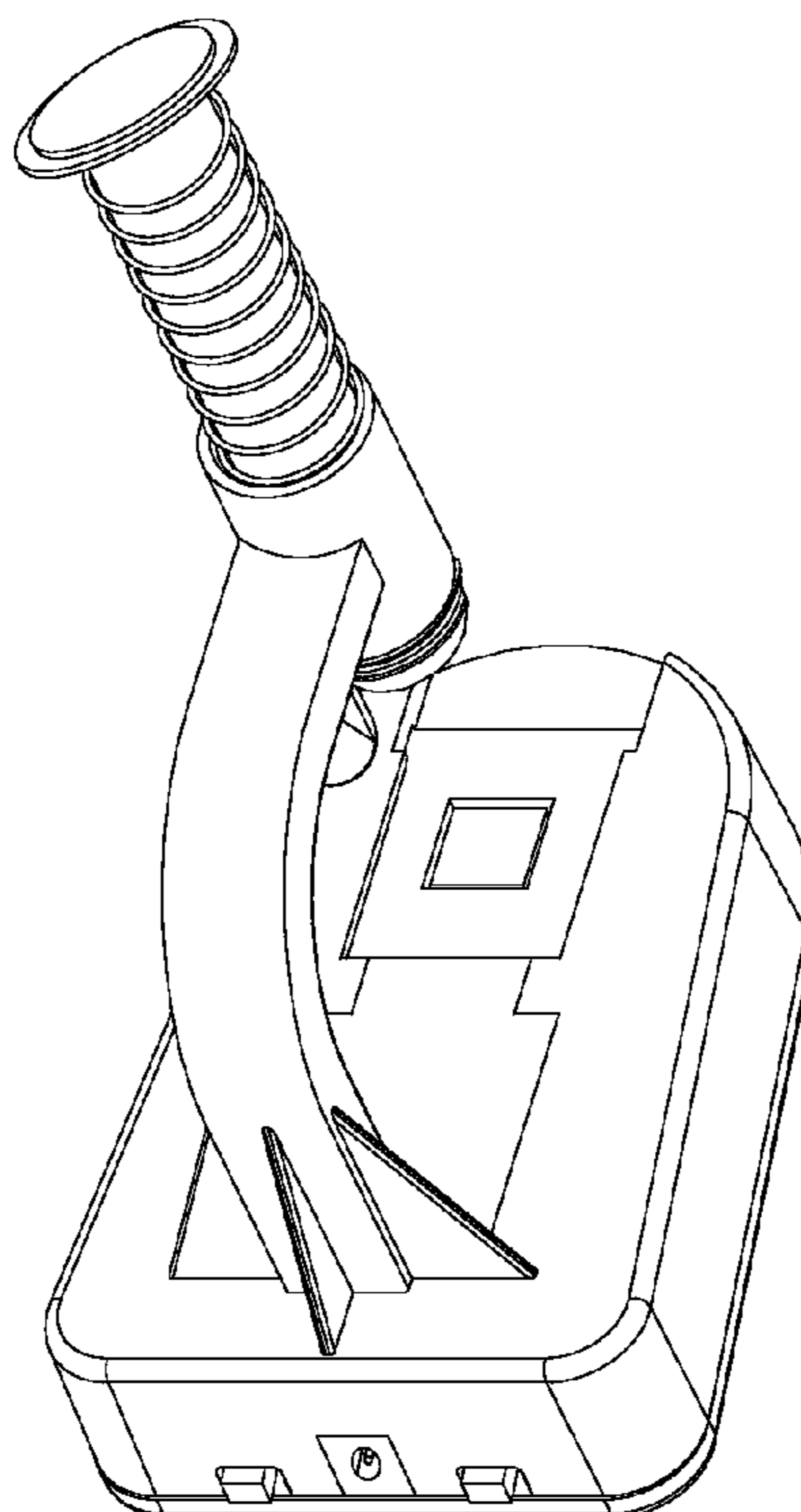
FIG. 5 is a top view thereof;

FIG. 6 is a bottom view thereof; and,

FIG. 7 is a back perspective view thereof in an alternate position where the spring is not compressed.

Features in broken lines are not claimed.

1 Claim, 7 Drawing Sheets



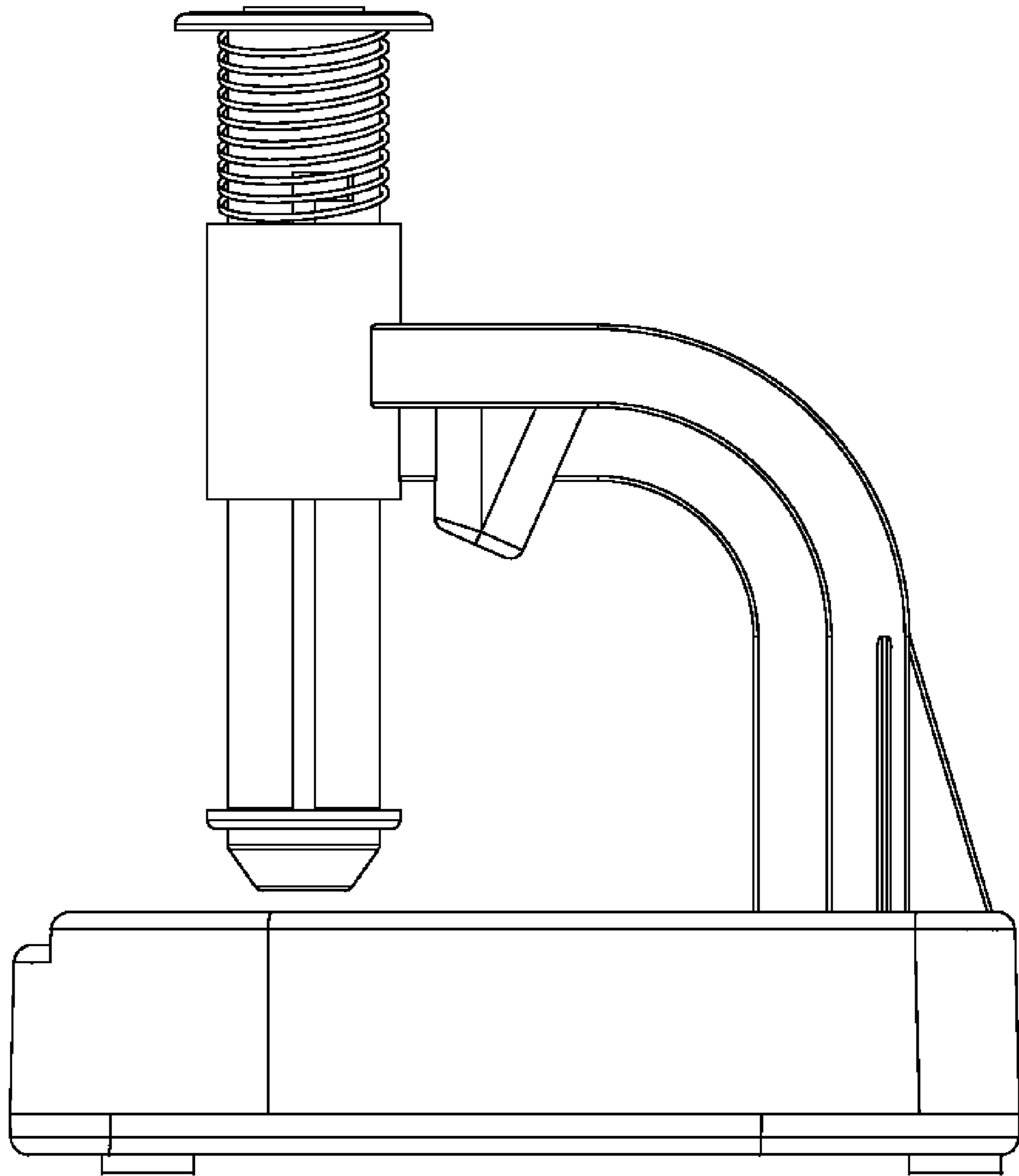


Figure 1

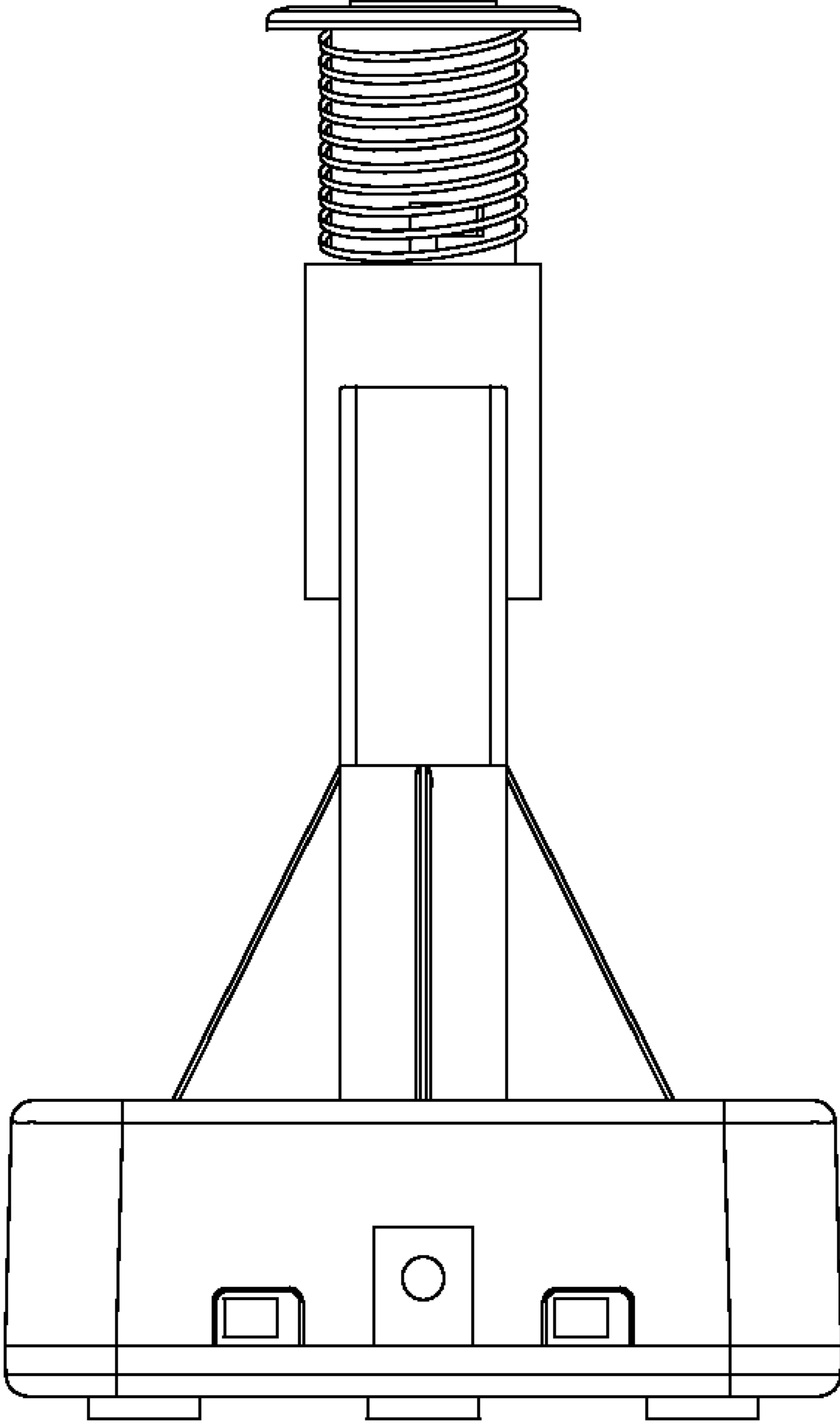


Figure 2

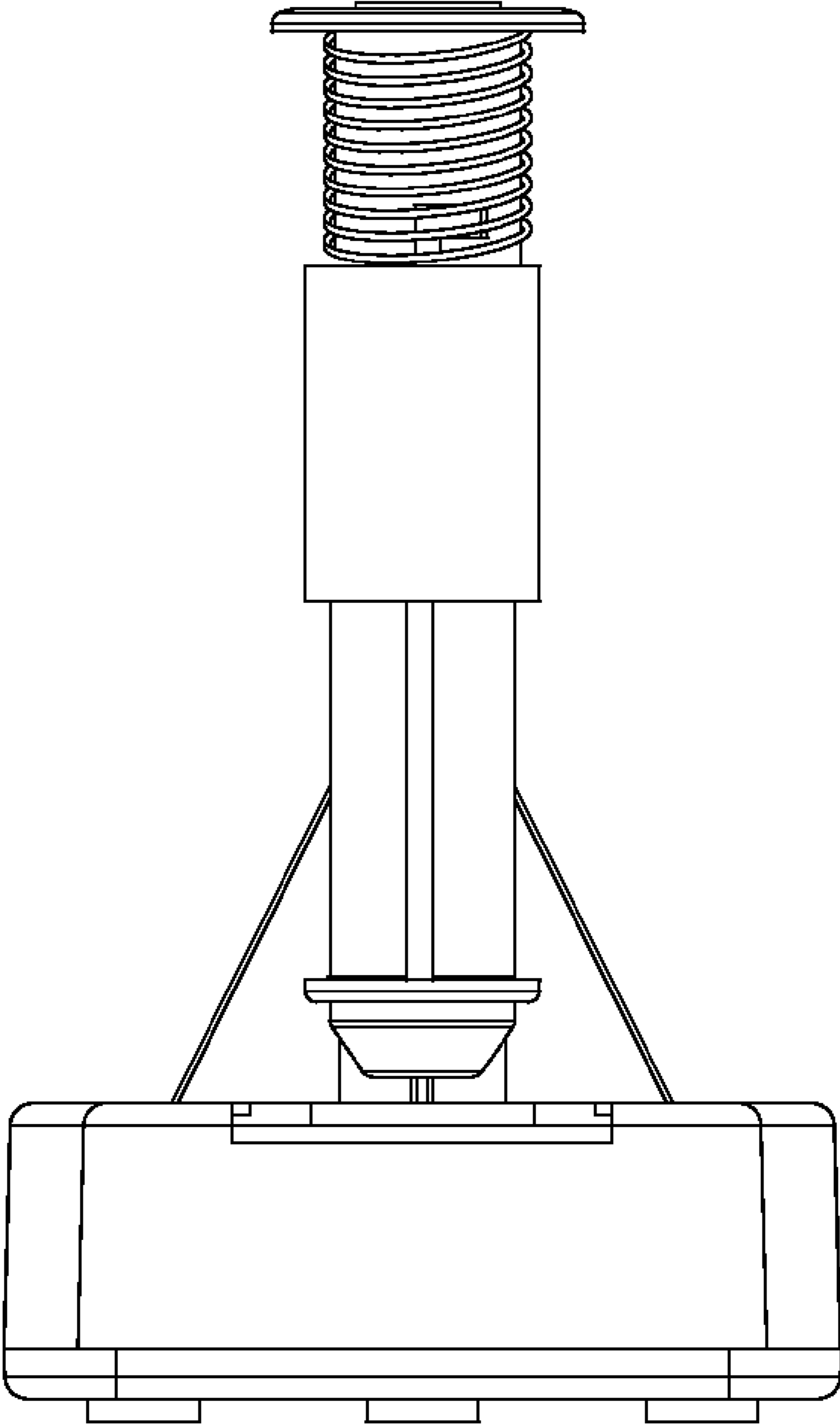


Figure 3

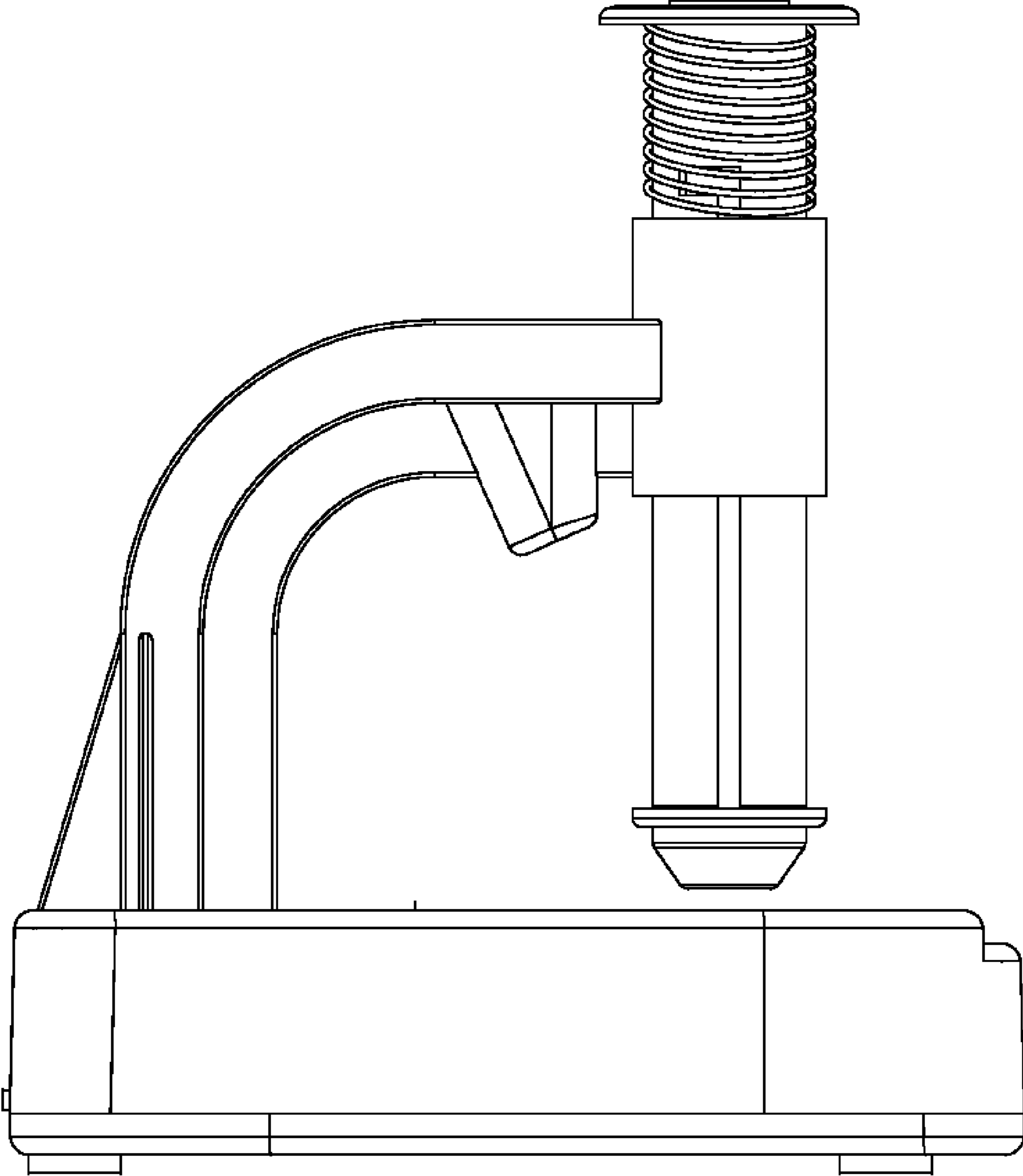


Figure 4

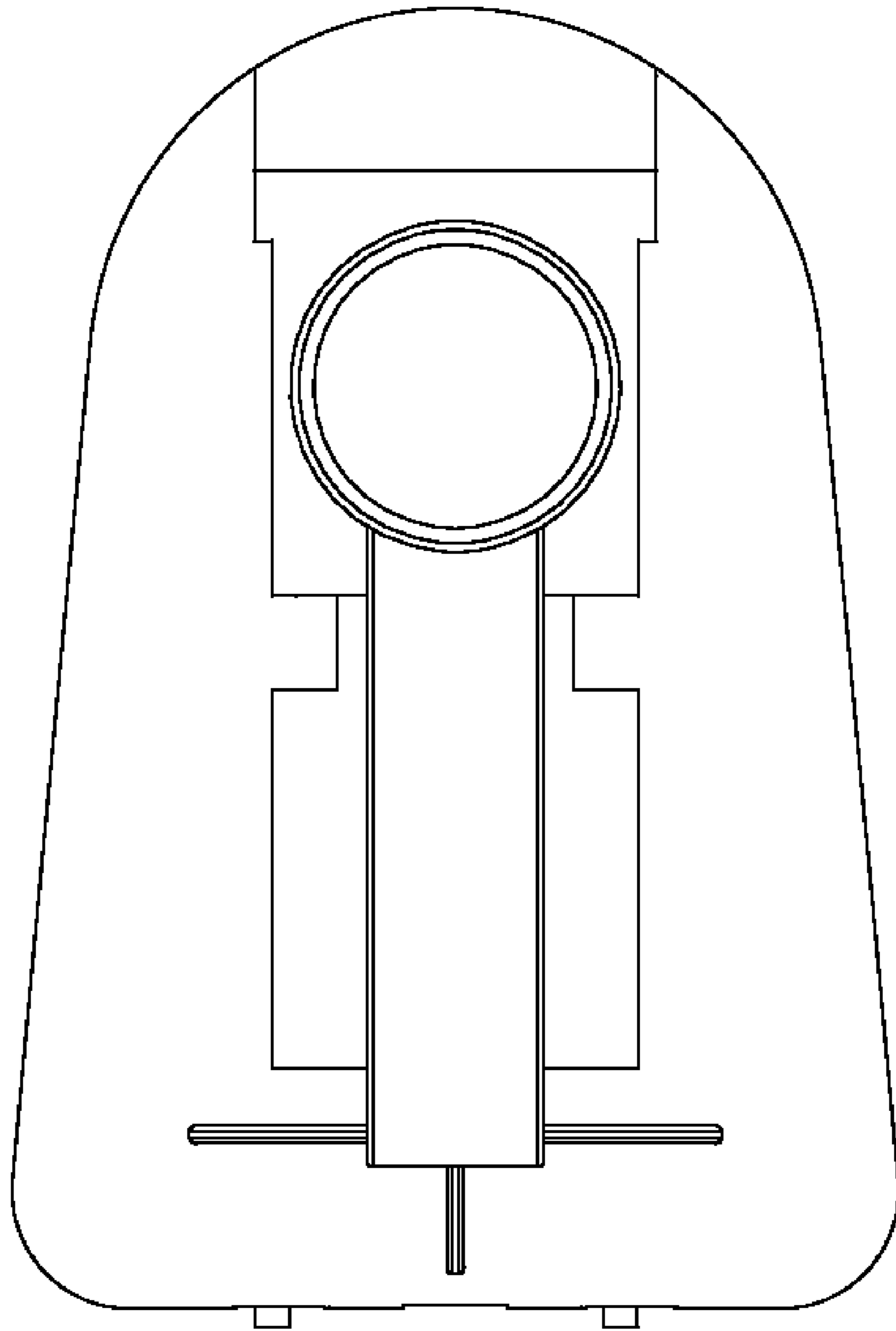


Figure 5

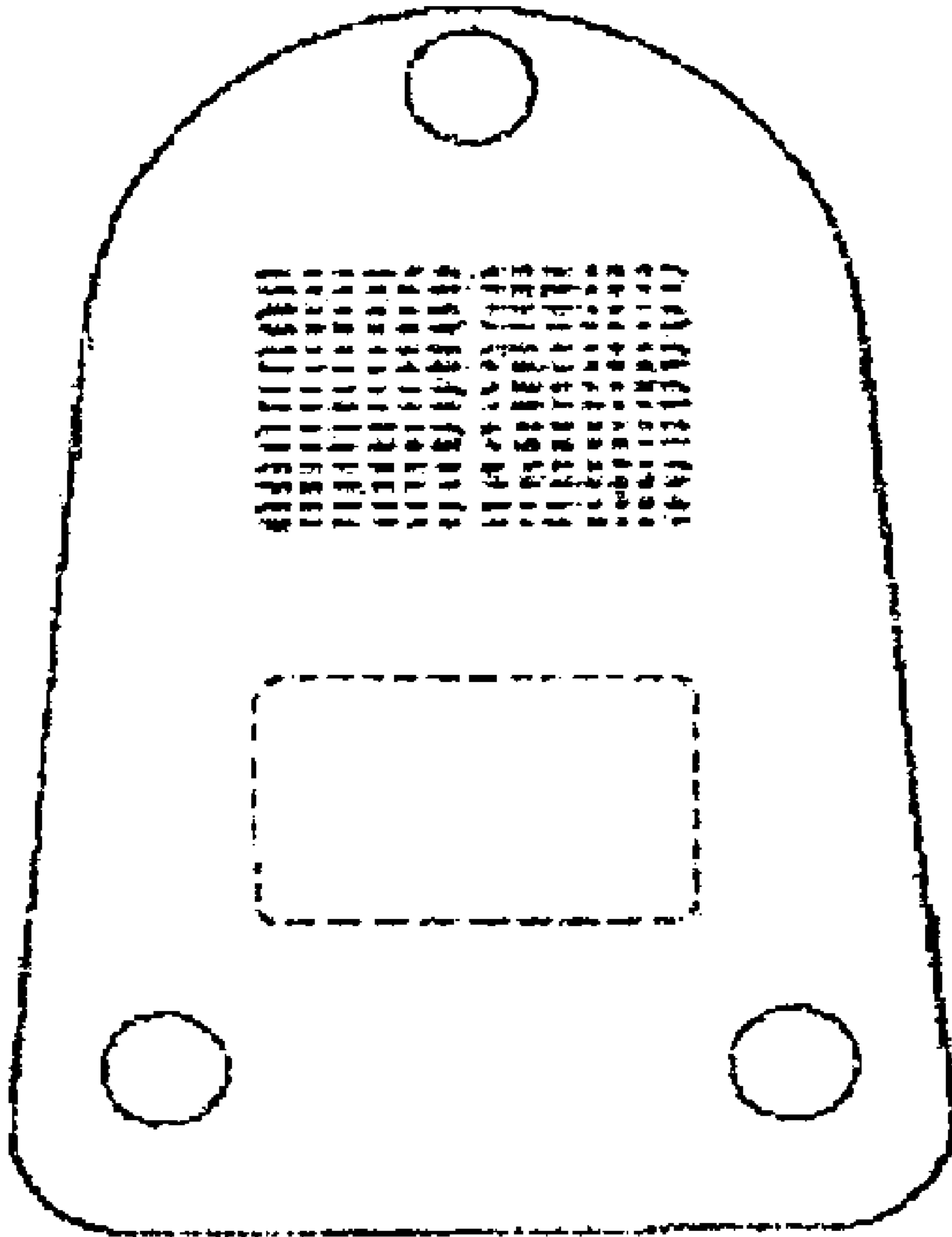


Figure 6

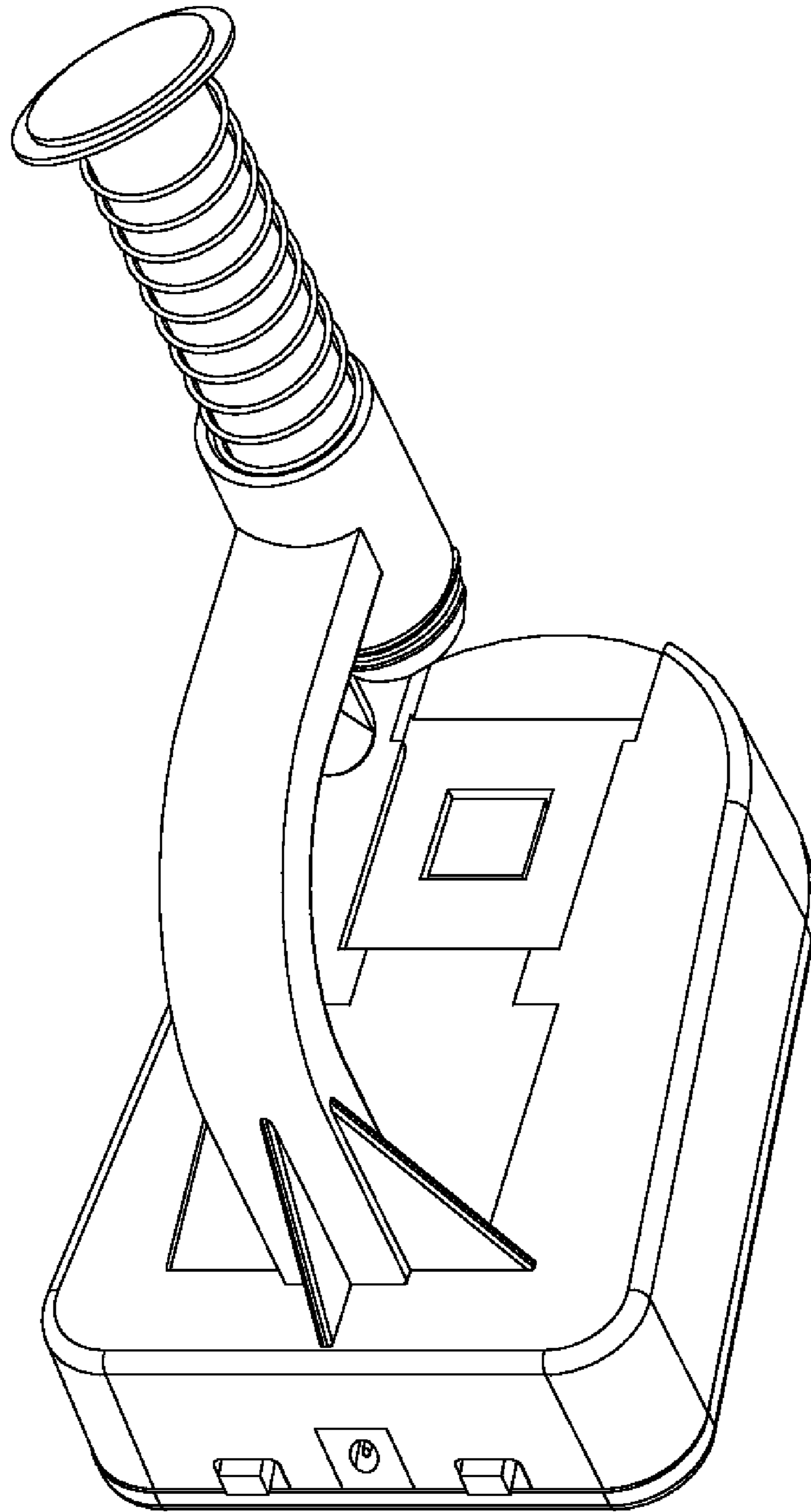


Figure 7