



US00D632709S

(12) **United States Design Patent**
Schade

(10) **Patent No.:** **US D632,709 S**
(45) **Date of Patent:** **** Feb. 15, 2011**

(54) **EXTRACTOR TANK FOR HOLDING GARNET
EXTRACTED FROM A WATER JET CUTTER**

(76) Inventor: **George Schade**, 234 Martha Pl.,
Fullerton, CA (US) 92833

(**) Term: **14 Years**

(21) Appl. No.: **29/356,953**

(22) Filed: **Mar. 4, 2010**

Related U.S. Application Data

(63) Continuation of application No. 12/623,280, filed on
Nov. 20, 2009.

(51) **LOC (9) Cl.** **15-09**

(52) **U.S. Cl.** **D15/122**

(58) **Field of Classification Search** D15/122,
D15/199; 209/138; 210/167, 194, 220, 232,
210/416.5, 773, 798, 805; 554/23

See application file for complete search history.

(56) **References Cited**

U.S. PATENT DOCUMENTS

- 774,807 A * 11/1904 Wheelwright 210/773
- 2,979,204 A * 4/1961 Yeiser 210/805
- 3,097,164 A * 7/1963 Shields 210/804
- 3,265,212 A * 8/1966 Bonsall, Jr. 210/787
- 3,384,239 A * 5/1968 Berardi 210/798
- 4,552,669 A * 11/1985 Sekellick 210/798
- 4,800,023 A * 1/1989 Arthun et al. 210/644
- 5,492,630 A * 2/1996 Roshanravan et al. 210/703

- 5,702,607 A * 12/1997 Lawson 210/663
- 7,033,513 B2 * 4/2006 Riggins et al. 210/805
- 7,087,159 B2 * 8/2006 Stinson et al. 210/167.31
- 2004/0256332 A1 * 12/2004 Riggins et al. 210/805
- 2010/0133206 A1 * 6/2010 Schade 210/805

* cited by examiner

Primary Examiner—Patricia Palasik

(74) *Attorney, Agent, or Firm*—Knobbe, Martens, Olson &
Bear, LLP

(57) **CLAIM**

The ornamental design for an extractor tank for holding gar-
net extracted from a water jet cutter, as shown and described.

DESCRIPTION

FIG. 1 is a perspective view of one embodiment of an extrac-
tor tank for holding garnet extracted from a water jet cutter.

FIG. 2 is a top plan view of the extractor tank of FIG. 1.

FIG. 3 is a right side view of the extractor tank of FIG. 1.

FIG. 4 is a front elevation view of the extractor tank of FIG. 1.

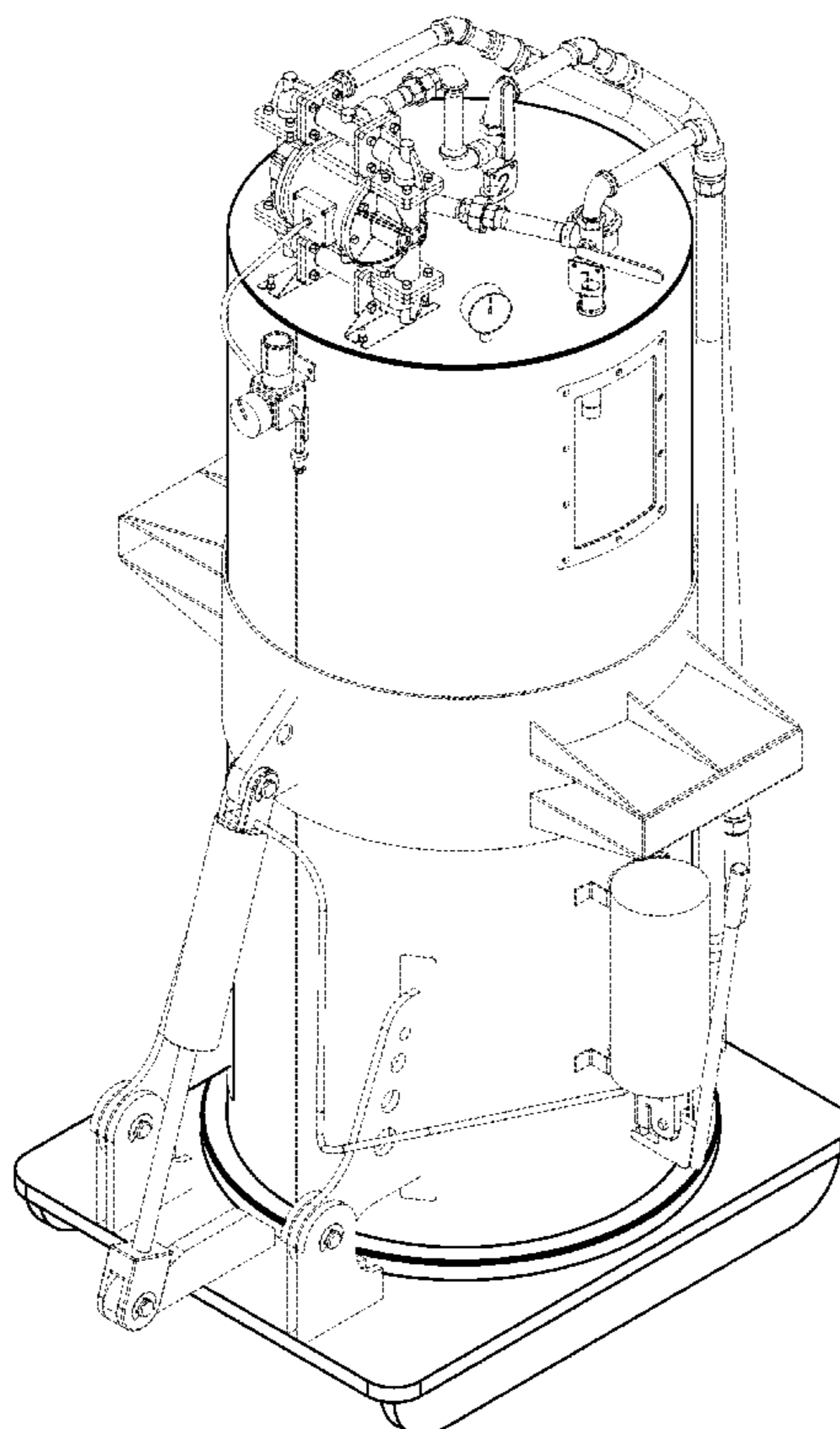
FIG. 5 is a bottom plan view of the extractor tank of FIG. 1.

FIG. 6 is a rear elevation view of the extractor tank of FIG. 1;
and,

FIG. 7 is a left side view of the extractor tank of FIG. 1.

The broken lines in the drawings represent an unclaimed
boundary of the claimed design. The broken lines are for
illustrative purposes only and form no part of the claimed
design.

1 Claim, 7 Drawing Sheets



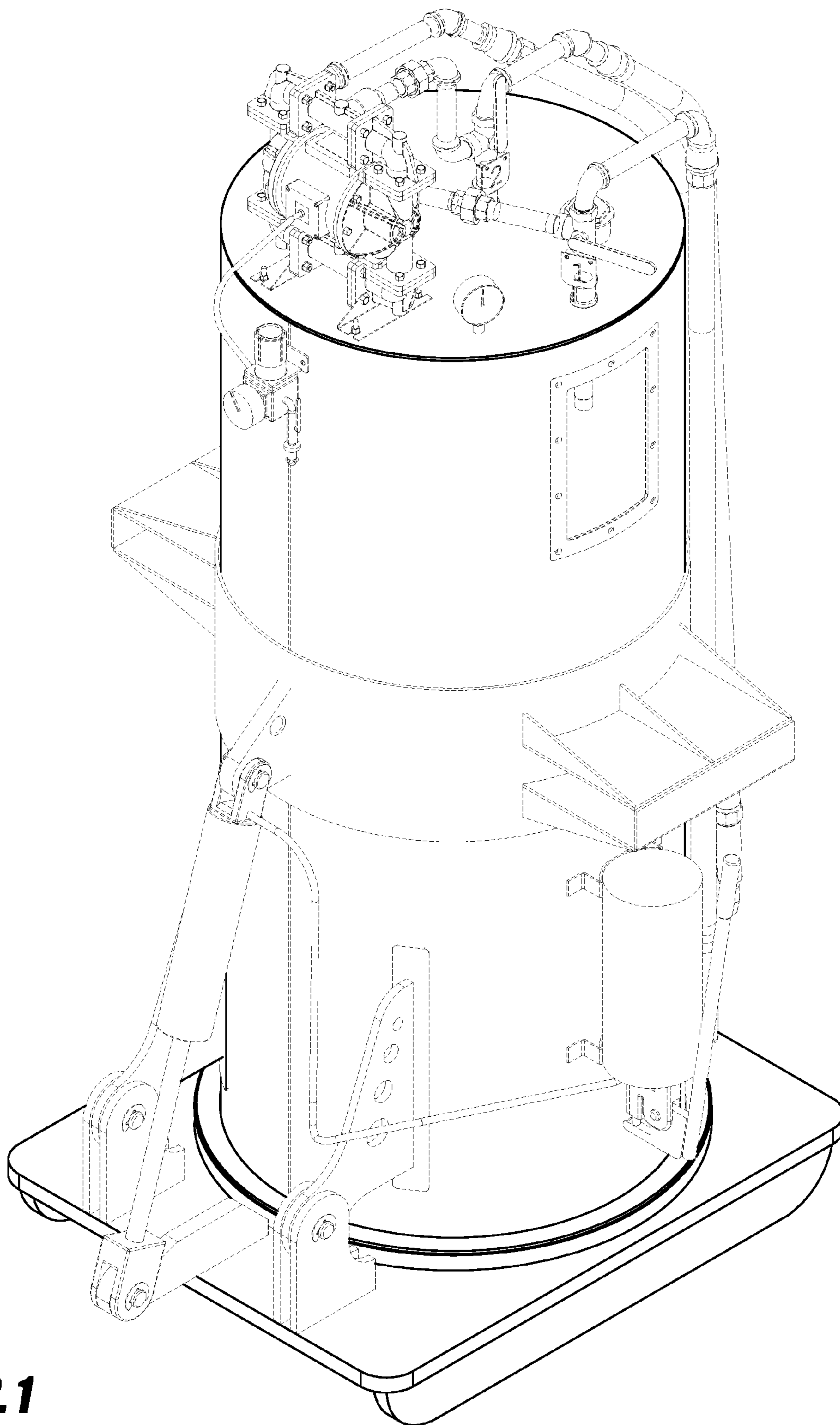


FIG. 1

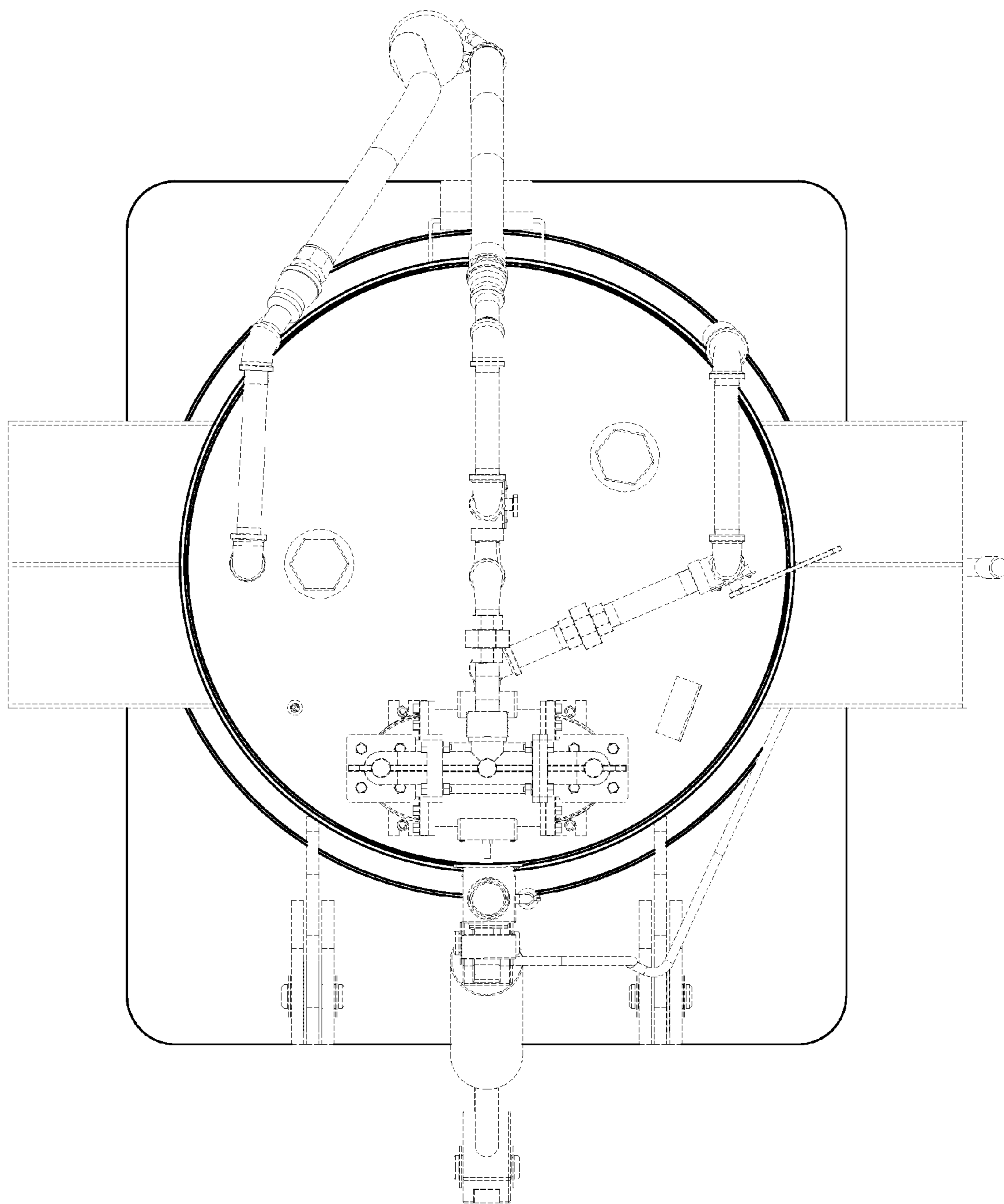


FIG. 2

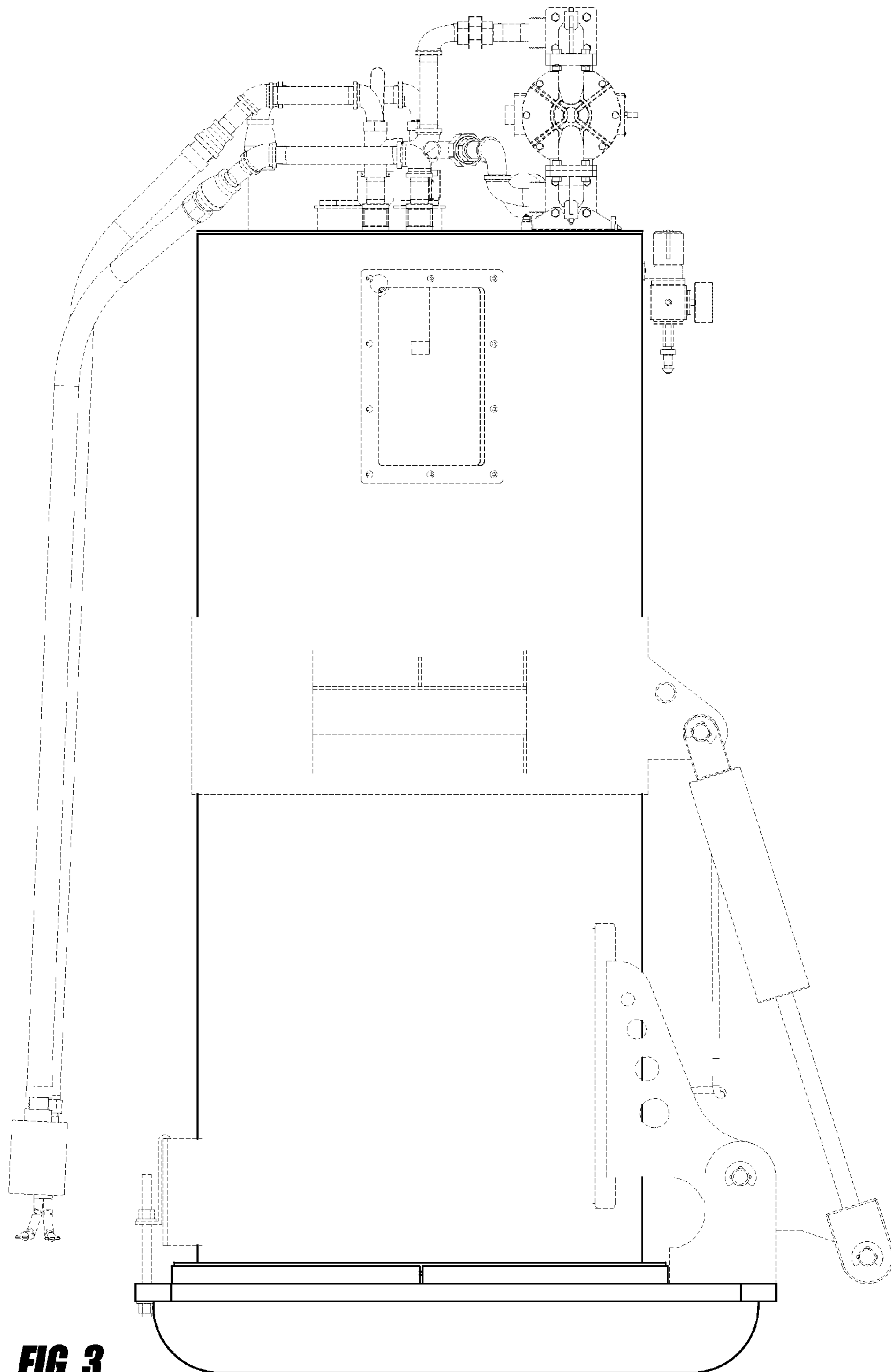


FIG. 3

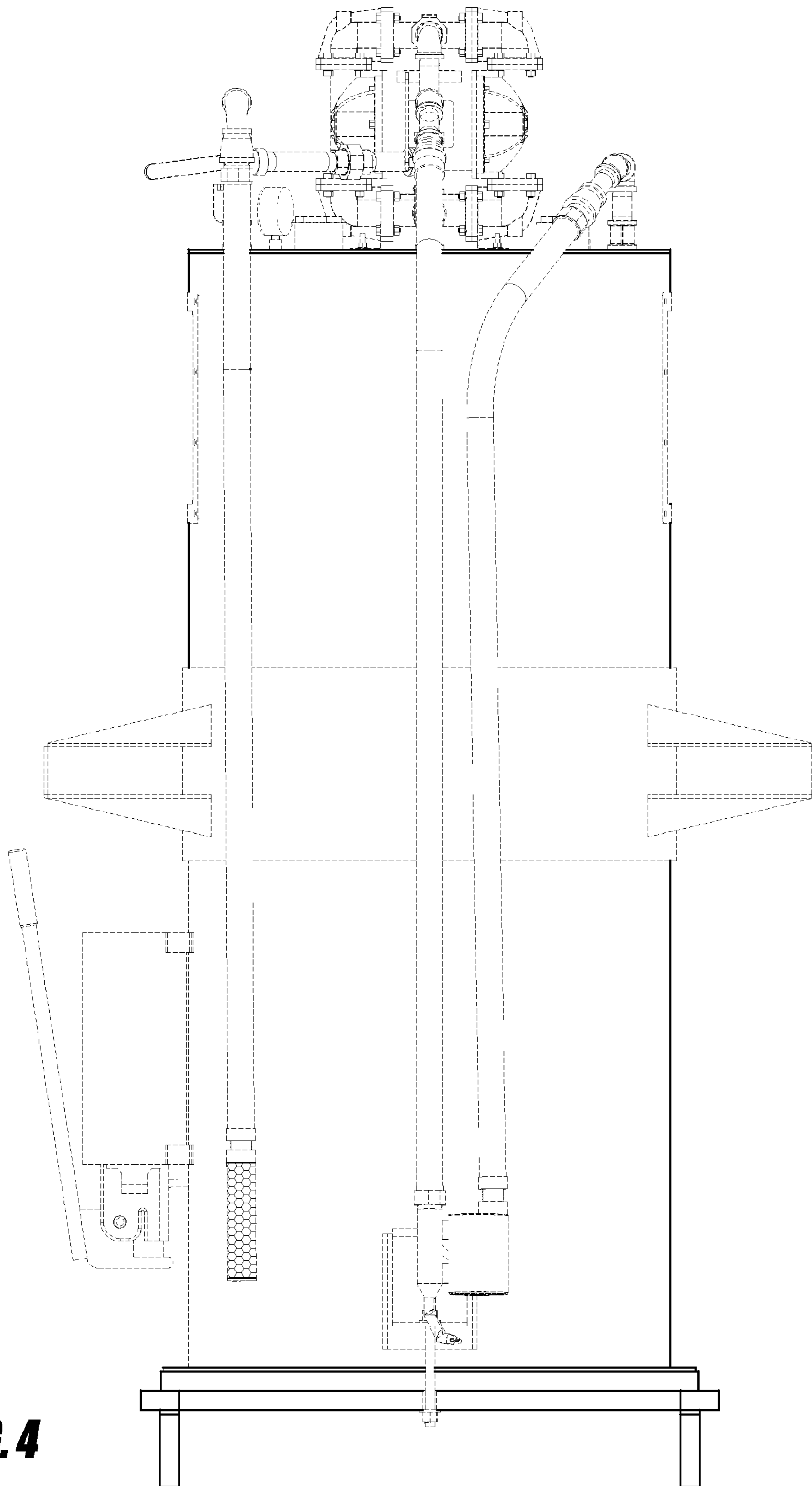


FIG. 4

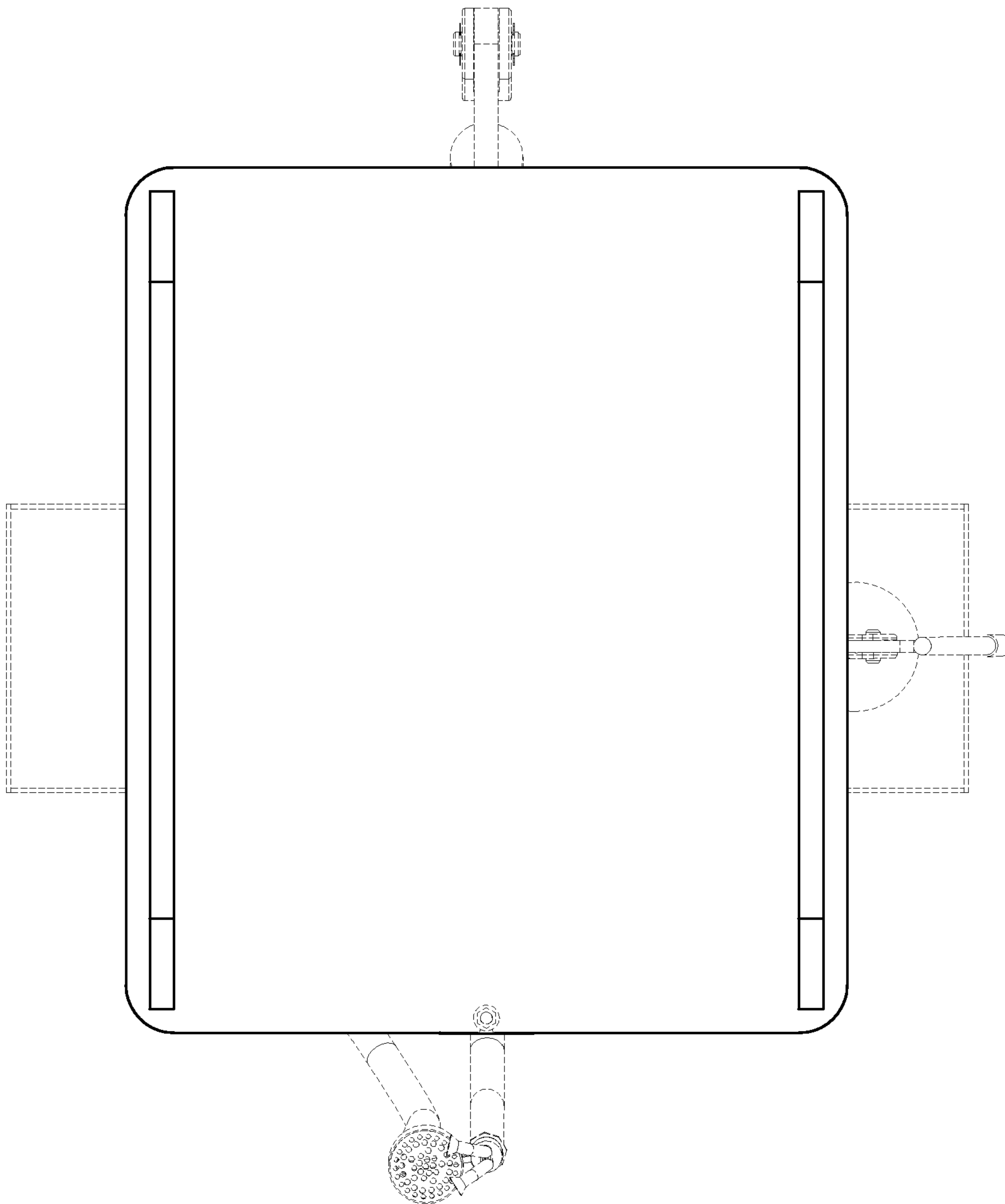


FIG. 5

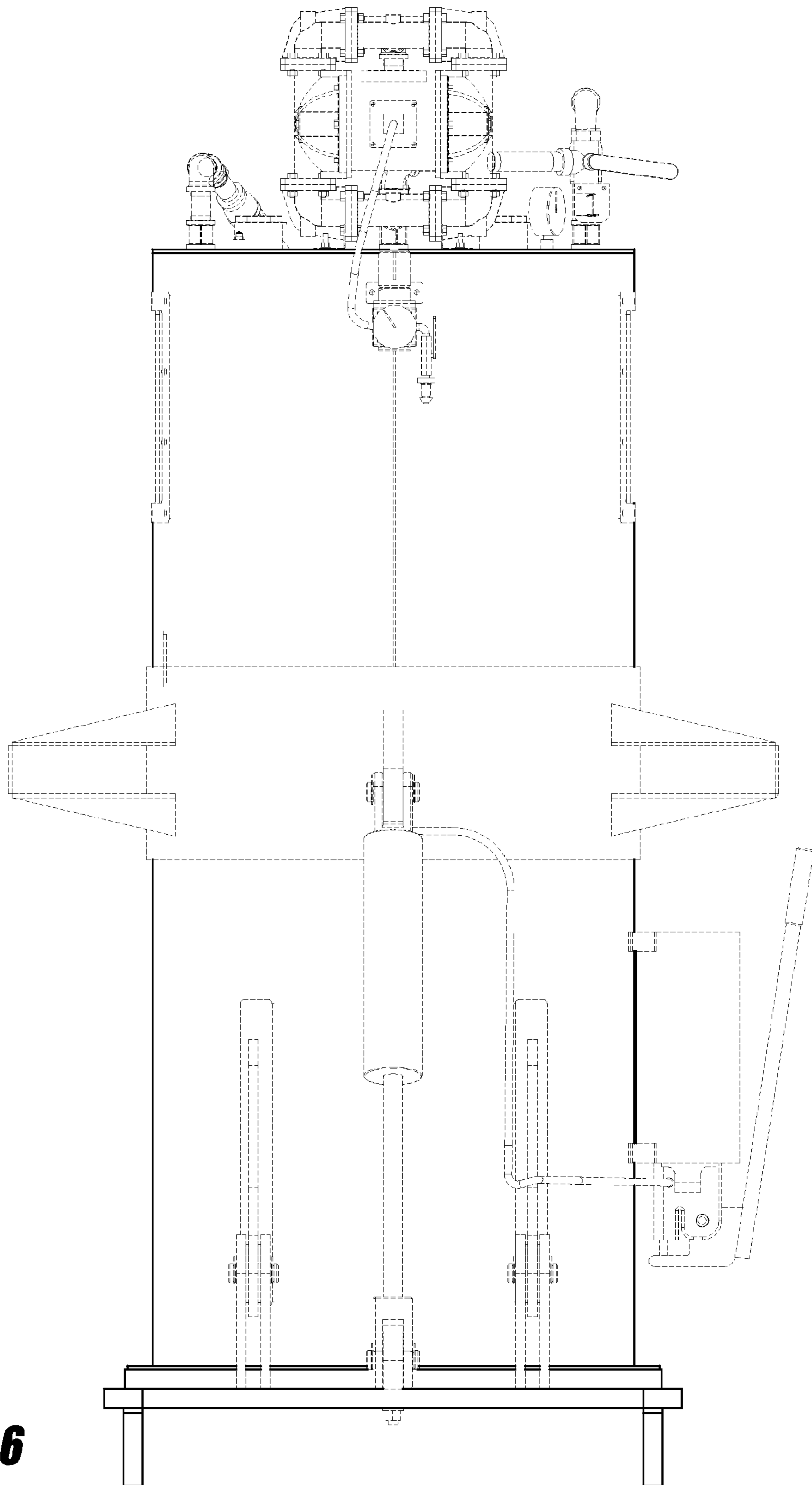


FIG. 6

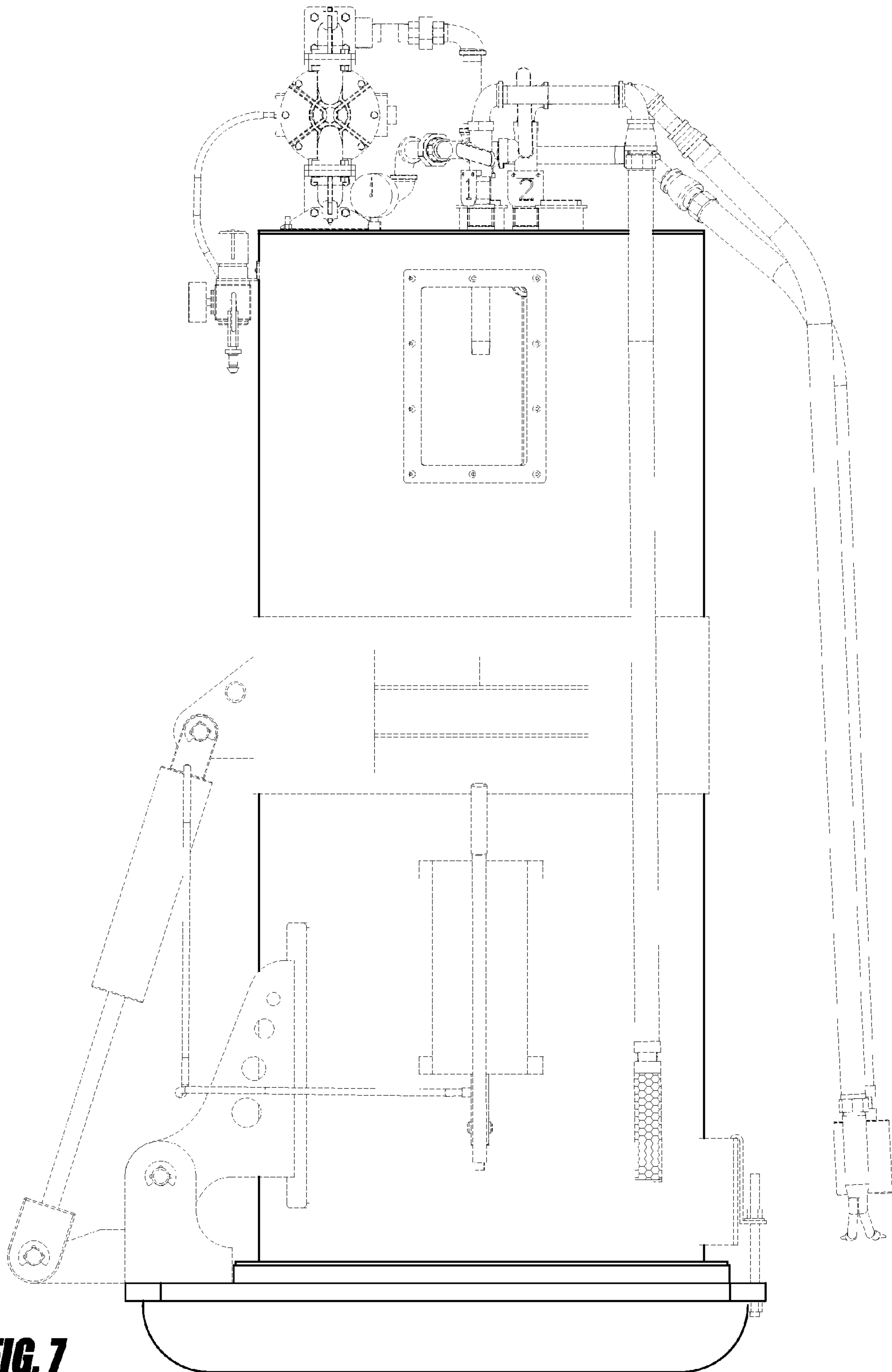


FIG. 7