



US00D632708S

(12) **United States Design Patent**
Seo et al.

(10) **Patent No.:** **US D632,708 S**
(45) **Date of Patent:** **** Feb. 15, 2011**

(54) **REFRIGERATOR**

(75) Inventors: **Woon Kyu Seo**, Gyeonggi-do (KR);
Jung Yeon Hwang, Seoul (KR); **Jin**
Won Kang, Gyeonggi-do (KR); **Myung**
Dong You, Incheon (KR); **Han Jin**
Jung, Seoul (KR)

(73) Assignee: **LG Electronics Inc.**, Seoul (KR)

(**) Term: **14 Years**

(21) Appl. No.: **29/366,881**

(22) Filed: **Jul. 30, 2010**

(30) **Foreign Application Priority Data**

Feb. 3, 2010 (KR) 30-2010-0004794

(51) **LOC (9) Cl.** **15-07**

(52) **U.S. Cl.** **D15/86; D15/87**

(58) **Field of Classification Search** D15/79,
D15/81, 85, 86, 87, 88; 312/400-408; 62/3.6,
62/3.61-3.64, 236, 246, 440, 531
See application file for complete search history.

(56) **References Cited**

U.S. PATENT DOCUMENTS

D495,719 S * 9/2004 Kirchner et al. D15/86
D508,059 S * 8/2005 Seok et al. D15/86
D508,925 S * 8/2005 Seok et al. D15/86
D508,926 S * 8/2005 Seok et al. D15/86
D522,540 S * 6/2006 Cho et al. D15/86

D556,223 S * 11/2007 Wang et al. D15/86
D557,292 S * 12/2007 Lee et al. D15/86
D570,884 S * 6/2008 Yang et al. D15/86
D594,886 S * 6/2009 Wang et al. D15/86
D614,208 S * 4/2010 Seo et al. D15/86
D615,109 S * 5/2010 Yang et al. D15/86

* cited by examiner

Primary Examiner—Shanda C Hill

(74) *Attorney, Agent, or Firm*—Birch, Stewart, Kolasch &
Birch, LLP

(57) **CLAIM**

The ornamental design for a refrigerator, as shown and described.

DESCRIPTION

FIG. 1 is a top, front, perspective view of a refrigerator showing our new design;

FIG. 2 is a front view thereof;

FIG. 3 is a rear view thereof

FIG. 4 is a left side view thereof;

FIG. 5 is a right side view thereof;

FIG. 6 is a top view thereof; and,

FIG. 7 is a bottom view thereof.

The broken lines shown in the drawing disclosure are for illustrative purposes only and form no part of the claimed design.

1 Claim, 7 Drawing Sheets

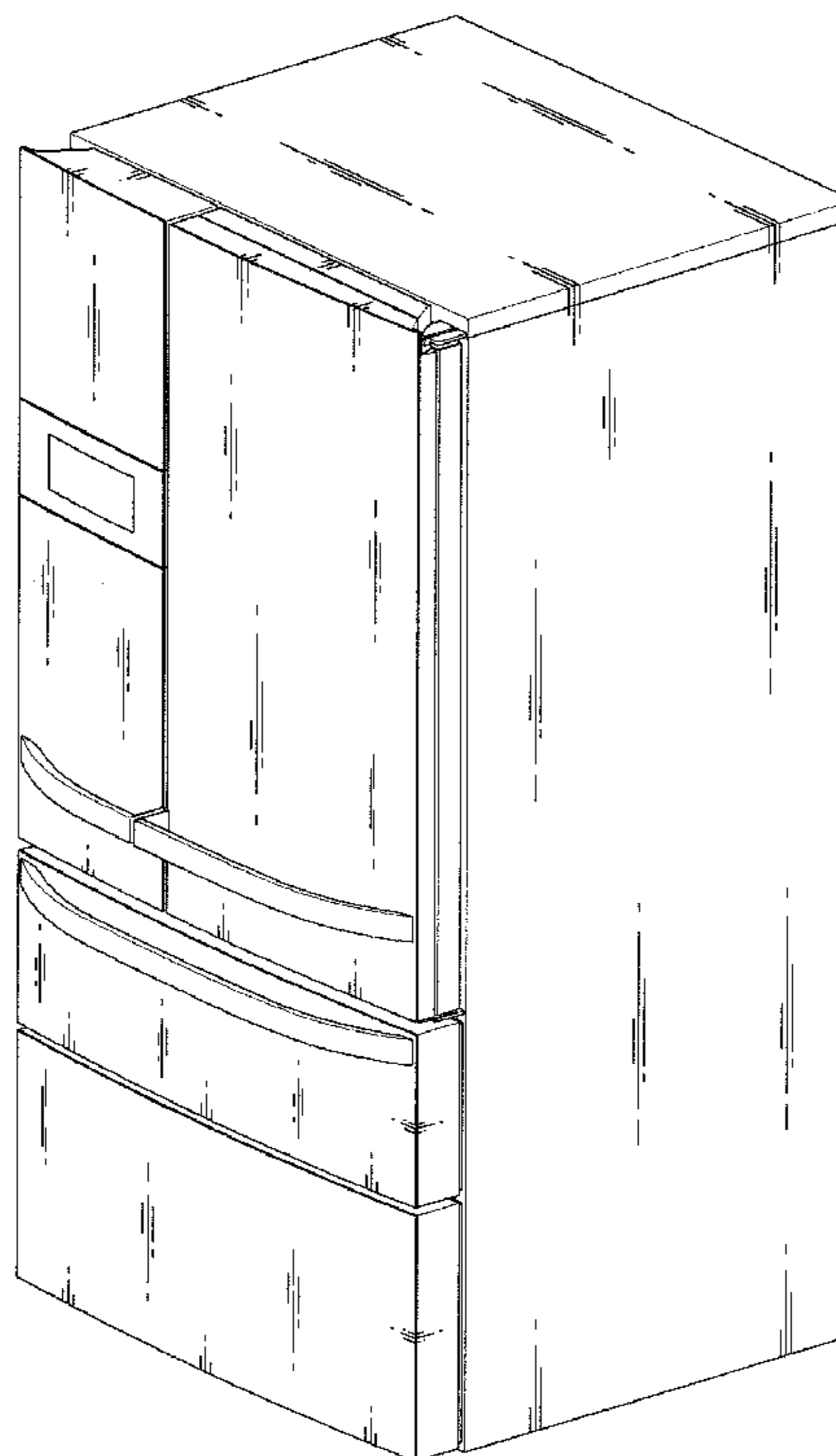


FIG. 1

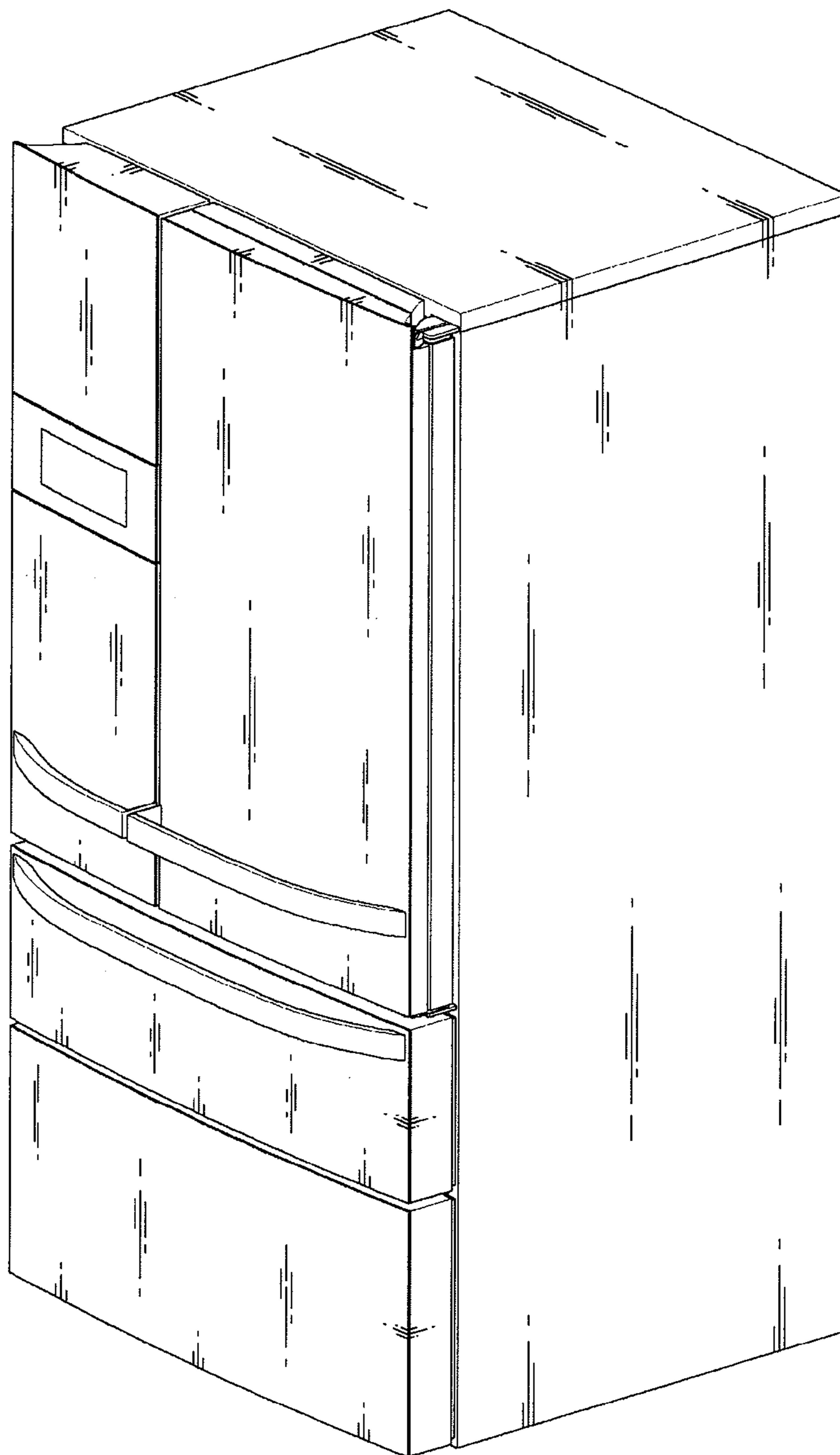


FIG. 2

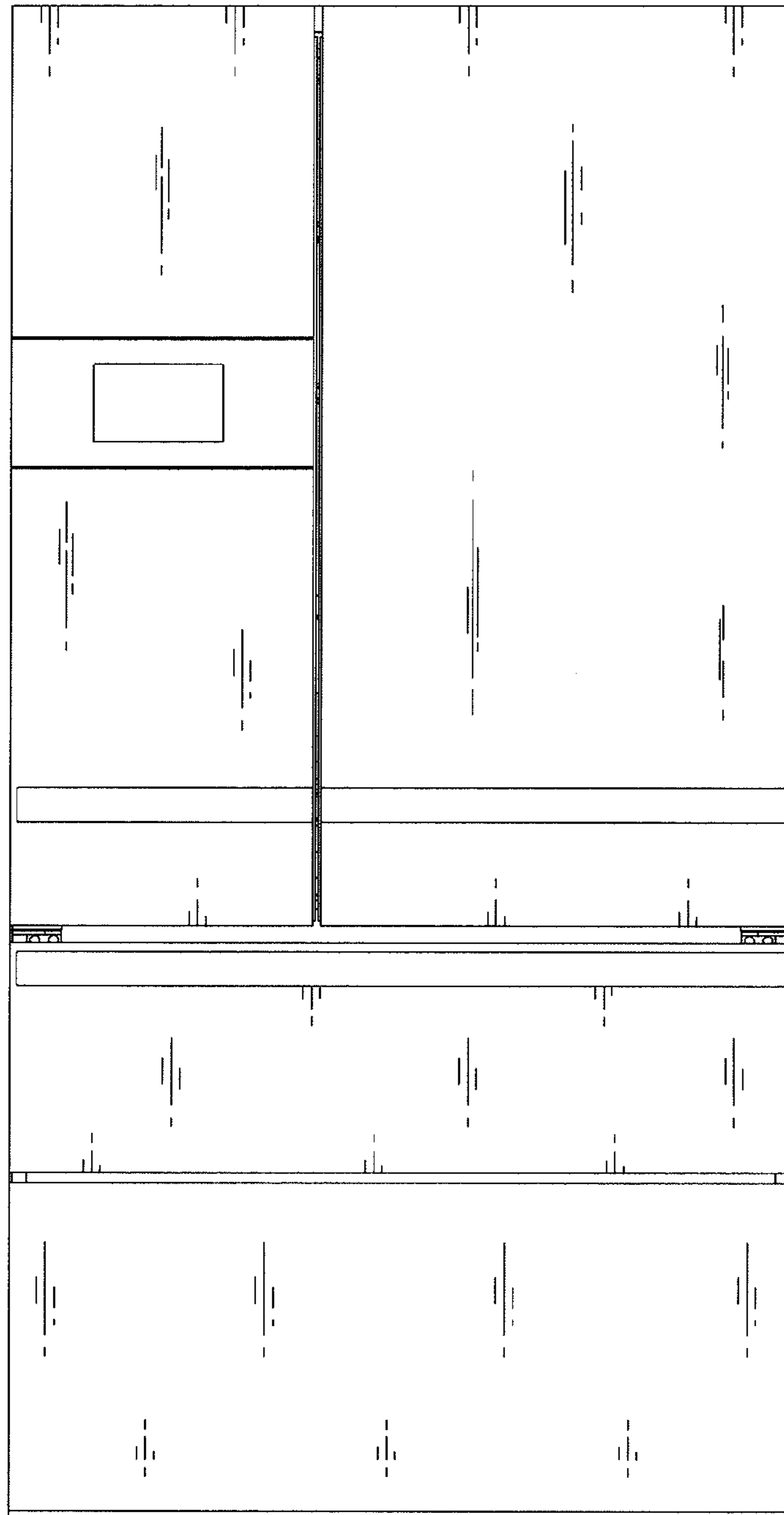


FIG. 3

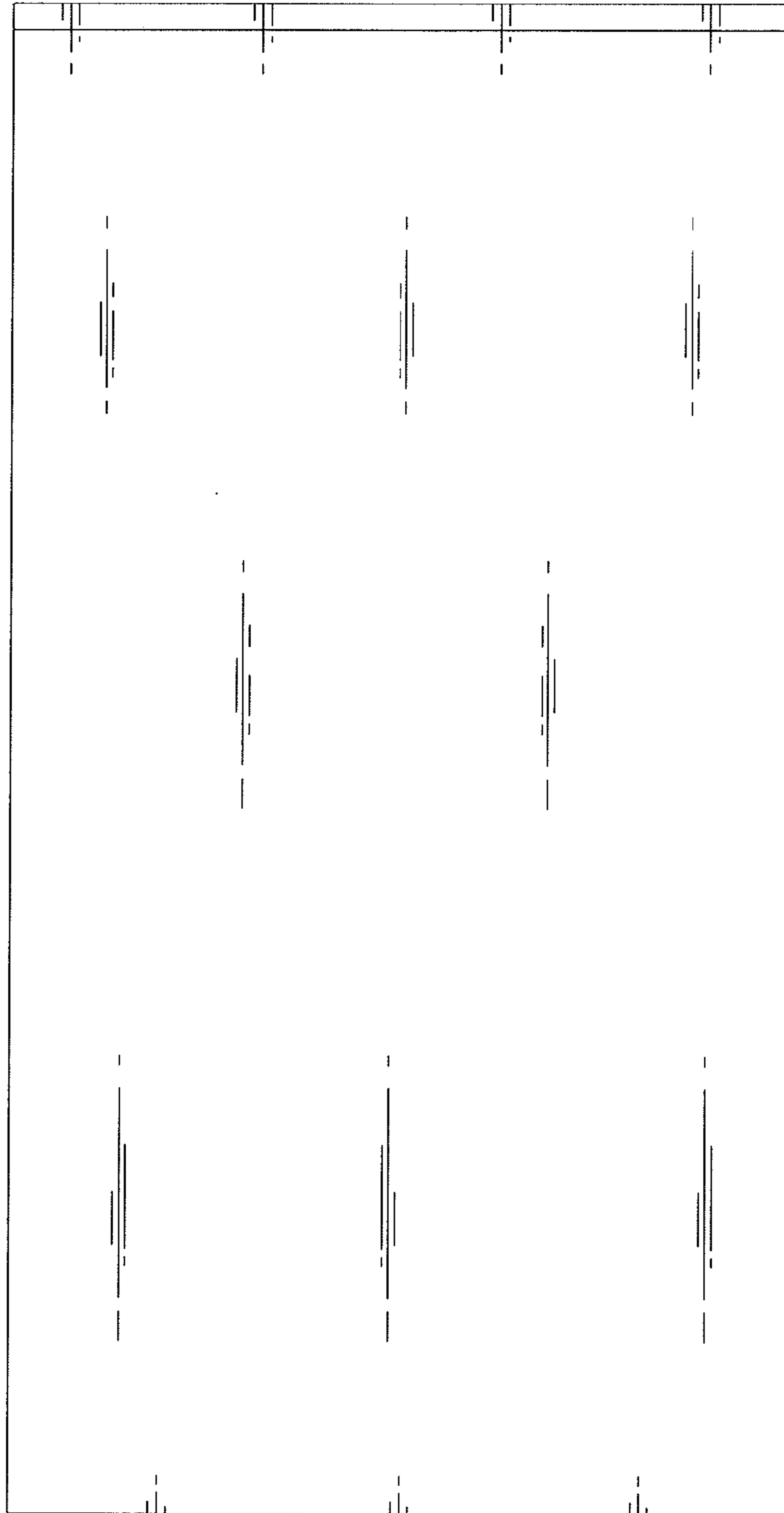


FIG. 4



FIG. 5

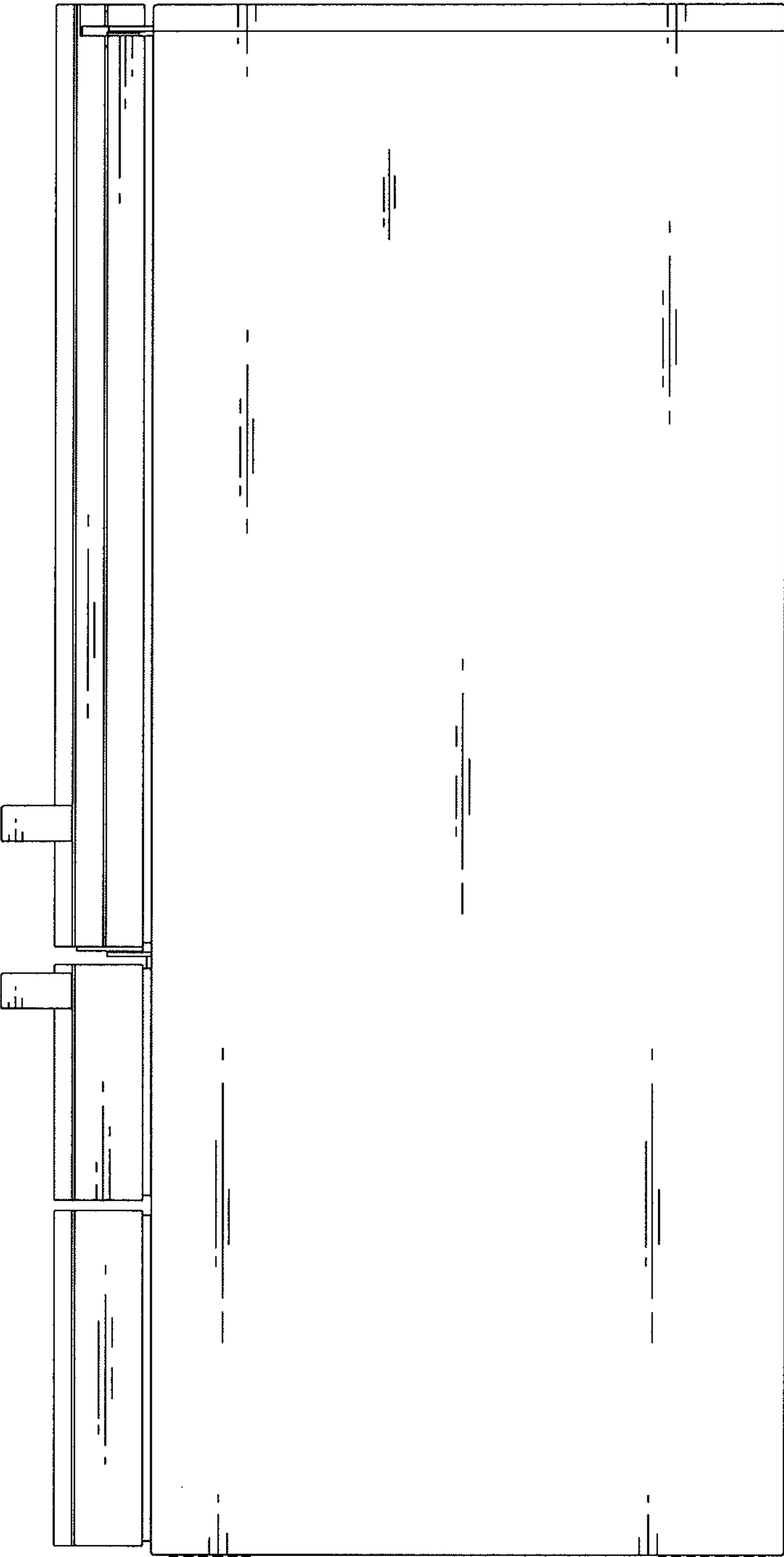


FIG. 6

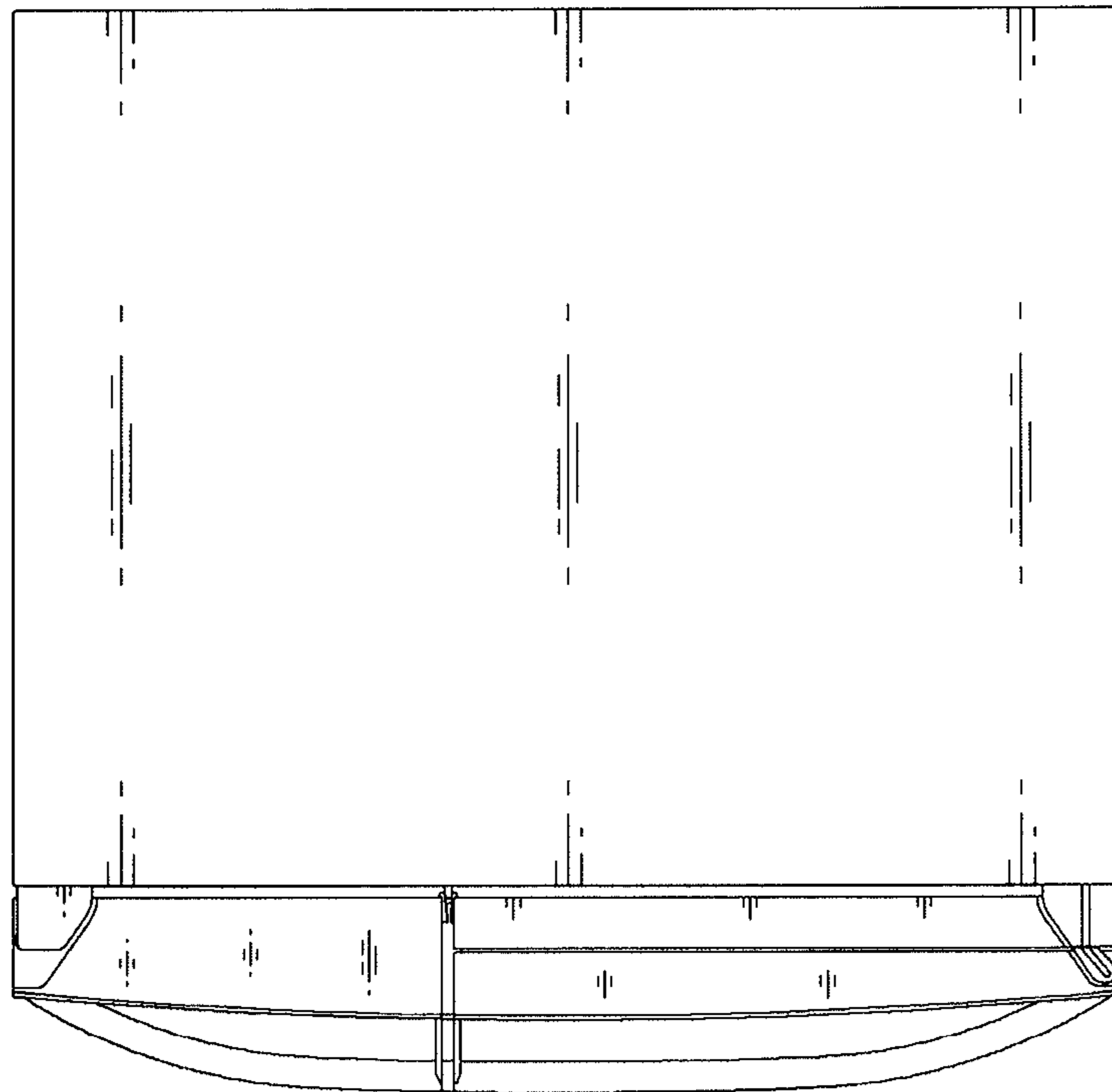


FIG. 7

